



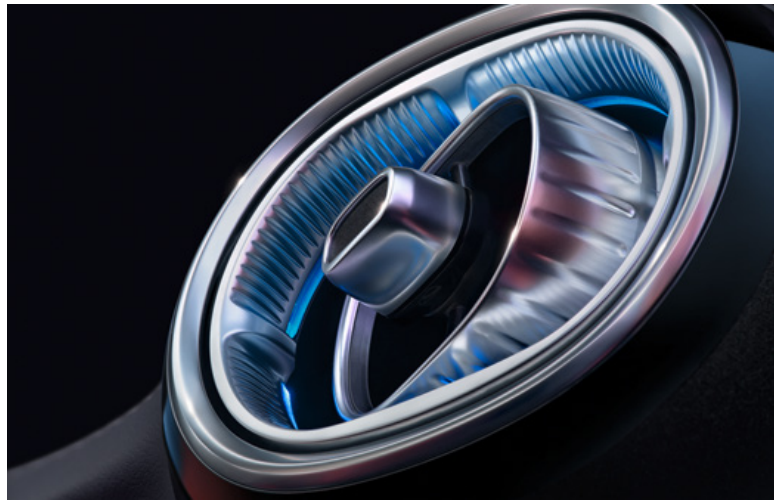
# The C-Class

Saloon and Estate

Effective from June 2022 Production.

Mercedes-Benz





<a href="#">Design</a>	<a href="#">Technology</a>	<a href="#">Plug-in Hybrid</a>	<a href="#">Model lines</a>	<a href="#">Upholstery</a>	<a href="#">Model prices</a>	<a href="#">Mercedes-AMG</a>	<a href="#">Mercedes-AMG prices</a>	<a href="#">Mercedes-AMG upholstery</a>	<a href="#">Personalisation</a>	<a href="#">Standard equipment</a>	<a href="#">Genuine accessories</a>	<a href="#">Technical data</a>	<a href="#">Additional information</a>
------------------------	----------------------------	--------------------------------	-----------------------------	----------------------------	------------------------------	------------------------------	-------------------------------------	---	---------------------------------	------------------------------------	-------------------------------------	--------------------------------	--



Book a test drive



Buy your C-Class



Find a Retailer



Some of the model features, optional extras and colours shown may not be available, or may only be available in a different specification, or at a different price.

Design	Technology	Plug-in Hybrid	Model lines	Upholstery	Model prices	Mercedes-AMG	Mercedes-AMG prices	Mercedes-AMG upholstery	Personalisation	Standard equipment	Genuine accessories	Technical data	Additional information
--------	------------	----------------	-------------	------------	--------------	--------------	---------------------	-------------------------	-----------------	--------------------	---------------------	----------------	------------------------

[Book a test drive](#)[Buy your C-Class](#)[Find a Retailer](#)

Some of the model features, optional extras and colours shown may not be available, or may only be available in a different specification, or at a different price.

<a href="#">Design</a>	<a href="#">Technology</a>	<a href="#">Plug-in Hybrid</a>	<a href="#">Model lines</a>	<a href="#">Upholstery</a>	<a href="#">Model prices</a>	<a href="#">Mercedes-AMG</a>	<a href="#">Mercedes-AMG prices</a>	<a href="#">Mercedes-AMG upholstery</a>	<a href="#">Personalisation</a>	<a href="#">Standard equipment</a>	<a href="#">Genuine accessories</a>	<a href="#">Technical data</a>	<a href="#">Additional information</a>
------------------------	----------------------------	--------------------------------	-----------------------------	----------------------------	------------------------------	------------------------------	-------------------------------------	---	---------------------------------	------------------------------------	-------------------------------------	--------------------------------	--



Book a test drive



Buy your C-Class



Find a Retailer



Some of the model features, optional extras and colours shown may not be available, or may only be available in a different specification, or at a different price.

Design	Technology	Plug-in Hybrid	Model lines	Upholstery	Model prices	Mercedes-AMG	Mercedes-AMG prices	Mercedes-AMG upholstery	Personalisation	Standard equipment	Genuine accessories	Technical data	Additional information
--------	------------	----------------	-------------	------------	--------------	--------------	---------------------	-------------------------	-----------------	--------------------	---------------------	----------------	------------------------



Book a test drive



Buy your C-Class



Find a Retailer



Design	Technology	Plug-in Hybrid	Model lines	Upholstery	Model prices	Mercedes-AMG	Mercedes-AMG prices	Mercedes-AMG upholstery	Personalisation	Standard equipment	Genuine accessories	Technical data	Additional information
--------	------------	----------------	-------------	------------	--------------	--------------	---------------------	-------------------------	-----------------	--------------------	---------------------	----------------	------------------------

[Book a test drive](#)[Buy your C-Class](#)[Find a Retailer](#)

Some of the model features, optional extras and colours shown may not be available, or may only be available in a different specification, or at a different price.

<a href="#">Design</a>	<a href="#">Technology</a>	<a href="#">Plug-in Hybrid</a>	<a href="#">Model lines</a>	<a href="#">Upholstery</a>	<a href="#">Model prices</a>	<a href="#">Mercedes-AMG</a>	<a href="#">Mercedes-AMG prices</a>	<a href="#">Mercedes-AMG upholstery</a>	<a href="#">Personalisation</a>	<a href="#">Standard equipment</a>	<a href="#">Genuine accessories</a>	<a href="#">Technical data</a>	<a href="#">Additional information</a>
------------------------	----------------------------	--------------------------------	-----------------------------	----------------------------	------------------------------	------------------------------	-------------------------------------	---	---------------------------------	------------------------------------	-------------------------------------	--------------------------------	--



Book a test drive



Buy your C-Class



Find a Retailer



Some of the model features, optional extras and colours shown may not be available, or may only be available in a different specification, or at a different price.

Design	Technology	Plug-in Hybrid	Model lines	Upholstery	Model prices	Mercedes-AMG	Mercedes-AMG prices	Mercedes-AMG upholstery	Personalisation	Standard equipment	Genuine accessories	Technical data	Additional information
--------	------------	----------------	-------------	------------	--------------	--------------	---------------------	-------------------------	-----------------	--------------------	---------------------	----------------	------------------------





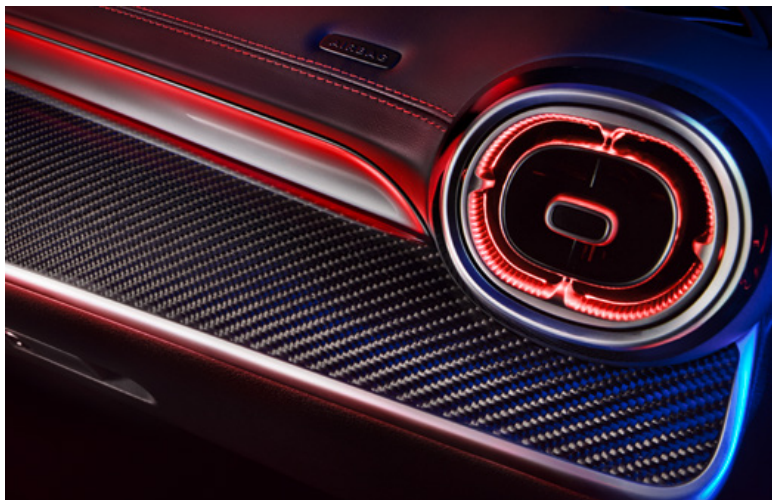
Book a test drive



Buy your C-Class



Find a Retailer



Design	Technology	Plug-in Hybrid	Model lines	Upholstery	Model prices	Mercedes-AMG	Mercedes-AMG prices	Mercedes-AMG upholstery	Personalisation	Standard equipment	Genuine accessories	Technical data	Additional information
--------	------------	----------------	-------------	------------	--------------	--------------	---------------------	-------------------------	-----------------	--------------------	---------------------	----------------	------------------------



Book a test drive



Buy your C-Class



Find a Retailer



Some of the model features, optional extras and colours shown may not be available, or may only be available in a different specification, or at a different price.

Design	Technology	Plug-in Hybrid	Model lines	Upholstery	Model prices	Mercedes-AMG	Mercedes-AMG prices	Mercedes-AMG upholstery	Personalisation	Standard equipment	Genuine accessories	Technical data	Additional information
--------	------------	----------------	-------------	------------	--------------	--------------	---------------------	-------------------------	-----------------	--------------------	---------------------	----------------	------------------------



Book a test drive



Buy your C-Class



Find a Retailer



Some of the model features, optional extras and colours shown may not be available, or may only be available in a different specification, or at a different price.

Design	Technology	Plug-in Hybrid	Model lines	Upholstery	Model prices	Mercedes-AMG	Mercedes-AMG prices	Mercedes-AMG upholstery	Personalisation	Standard equipment	Genuine accessories	Technical data	Additional information
--------	------------	----------------	-------------	------------	--------------	--------------	---------------------	-------------------------	-----------------	--------------------	---------------------	----------------	------------------------



Book a test drive



Buy your C-Class



Find a Retailer

C-Class

# Technology

Design

Technology

Plug-in Hybrid

Model lines

Upholstery

Model prices

Mercedes-AMG

Mercedes-AMG  
prices

Mercedes-AMG  
upholstery

Personalisation

Standard  
equipment

Genuine  
accessories

Technical data

Additional  
information



Book a test drive



Buy your C-Class



Find a Retailer

# Mercedes-Benz User Experience (MBUX)

Transforming the in-car user experience, thanks to MBUX: Controlled via voice or touch input, the innovative infotainment system can over time even predict personal habits thanks to artificial intelligence.



## Voice control

- Activated by the keywords “Hey Mercedes”, the new intelligent voice control LINGUATRONIC<sup>1</sup> lets you control many of the infotainment functions, including destination input, phone calls or music selection
- MBUX is able to understand different accents and will adjust to you over time
- MBUX even understands indirect commands. Feeling chilly? Just say “I feel cold” and MBUX will adjust the temperature for you

## Personalisation

- Turn the new C-Class into your very own Mercedes-Benz by personalising driving modes, radio stations and much more
- Your personal settings can be saved in up to seven different profiles, making your driving experience the best one possible
- Thanks to artificial intelligence, MBUX is able to learn and adapt over time. It will be able to predict your personal habits, such as navigation for frequently-driven routes, or the radio station you like to listen to on your way home from work

## Touch inputs

- Beside voice control you can operate MBUX via touchscreen, the touchpad on the centre console, as well as touch control buttons on the steering wheel
- The touchpad recognises your handwriting should you wish to enter addresses or phone numbers silently

## Maintenance and service

- Wondering when the next service is due? Or how much further you can drive until you need to stop at a petrol station? Just ask your MBUX – it will tell you the answer

<sup>1</sup>LINGUATRONIC off-board functions are currently only available for three years

Design	Technology	Plug-in Hybrid	Model lines	Upholstery	Model prices	Mercedes-AMG	Mercedes-AMG prices	Mercedes-AMG upholstery	Personalisation	Standard equipment	Genuine accessories	Technical data	Additional information
--------	------------	----------------	-------------	------------	--------------	--------------	---------------------	-------------------------	-----------------	--------------------	---------------------	----------------	------------------------

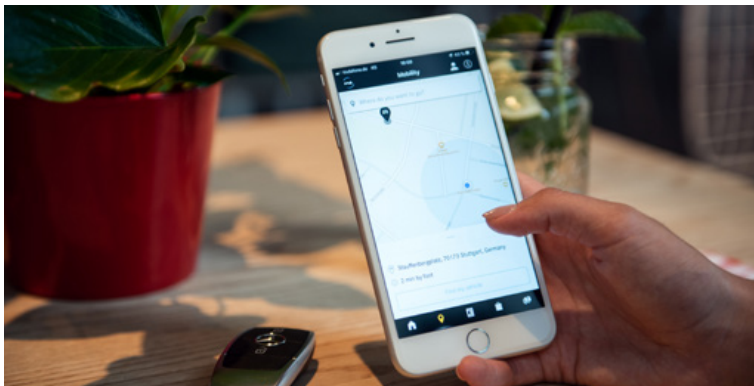
# Mercedes me connect Stay connected any time, anywhere.



Mercedes me is a range of innovative online services designed to enhance your Mercedes-Benz experience. Accessible via mobile, tablet or PC, Mercedes me lets you enjoy the highest standards of care and support, in a way that integrates seamlessly with your busy lifestyle.

### Safety and Service – Mercedes me connect helps to keep you and your car safe

Check your car's oil level, tyre pressure and fuel from your phone so you'll be ready for every journey.



### Infotainment – Online and Entertainment services from Mercedes me connect

Love music? Get a 3-month free subscription to Tidal when you connect your car.

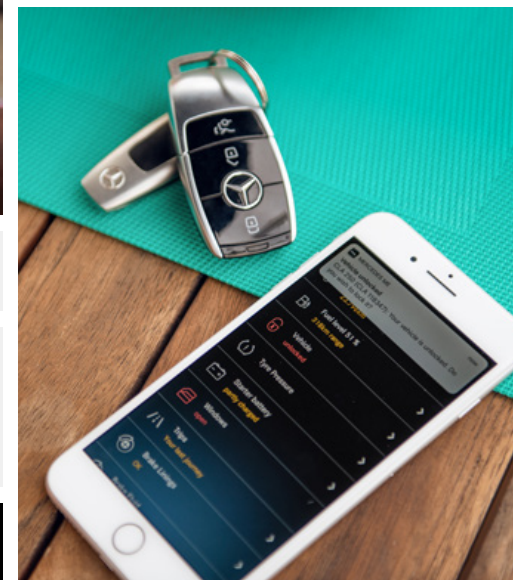
### Live Traffic Information, Parked Vehicle Locator and much more with Mercedes me connect

Forgot where you've parked? Parked Vehicle Locator<sup>1</sup> will show you exactly where your car is as long as you're in a 1-mile radius of where you parked. Real-time traffic data and dynamic route with shorter journey times.

For more information speak to your local Retailer or visit the Mercedes me connect store at [shop.mercedes-benz.com/en-gb/connect](http://shop.mercedes-benz.com/en-gb/connect)

### Comfort – connect to your car anytime, anywhere

Forgot to lock your car? With Remote Car Lock<sup>2</sup> you will receive a notification on your smartphone to let you know. With one tap, you can lock and unlock your vehicle so you never have to worry.



<sup>1</sup>Available on all models with the Vehicle Monitoring package. This option may vary between standard and additional cost dependent on the model

<sup>2</sup>Part of the Vehicle Status package. This option may vary between standard and additional cost dependent on the model

Images shown are for illustration purposes only

Design	Technology	Plug-in Hybrid	Model lines	Upholstery	Model prices	Mercedes-AMG	Mercedes-AMG prices	Mercedes-AMG upholstery	Personalisation	Standard equipment	Genuine accessories	Technical data	Additional information
--------	------------	----------------	-------------	------------	--------------	--------------	---------------------	-------------------------	-----------------	--------------------	---------------------	----------------	------------------------



Book a test drive



Buy your C-Class



Find a Retailer

C-Class

# Plug-in Hybrid

Design	Technology	Plug-in Hybrid	Model lines	Upholstery	Model prices	Mercedes-AMG	Mercedes-AMG prices	Mercedes-AMG upholstery	Personalisation	Standard equipment	Genuine accessories	Technical data	Additional information
--------	------------	----------------	-------------	------------	--------------	--------------	---------------------	-------------------------	-----------------	--------------------	---------------------	----------------	------------------------

# Plug-in Hybrid Electric Vehicle (PHEV) Benefits of driving a plug-in hybrid.

Our plug-in hybrids feature either a petrol or diesel powertrain, combined with a High Voltage battery and electric motor. Enjoy hybrid mode for maximum efficiency, or all-electric mode for local emission-free driving.

## Lower running costs

Did you know that electric cars could cost up to a third less than a diesel or petrol car to run, as well as being cheaper to maintain? We've partnered with Go Ultra Low, a joint Government and car industry campaign, to give you unbiased advice on making the switch to an electric car. Use Go Ultra Low's cost saving calculator to see how much you can save.<sup>1</sup>

[Discover more](#)

## Lower road fund license

Plug-in hybrid vehicles have lower emissions - this means you pay less for road tax.

## Cleaner vehicle discount

Plug-in hybrid models qualify for the 100% cleaner vehicle discount within the London Congestion Charge zone.

## Business benefits

With 100% first-year capital allowances<sup>2</sup> and lower Company Car tax, electric cars offer significant benefits to businesses and employees.

[Click here for more information](#)

<sup>1</sup>Please note that by clicking below you will be directed to the Go Ultra website

<sup>2</sup>100% first-year capital allowances only apply to vehicles less than 50 g CO<sub>2</sub>/km



[Book a test drive](#)[Buy your C-Class](#)[Find a Retailer](#)

# Plug-in Hybrid Electric Vehicle (PHEV) The C 300 e.

Plug-in hybrid vehicles enjoy the same functionality of full Hybrid technology, with the added benefit that they can be charged from an external electricity source. With CO<sub>2</sub> emissions of 13 g/km or less, the C 300 e Plug-in Hybrid is an environmentally conscious choice of driving.

## C 300 e

Petrol – 1,999 cc, 4-cylinder, 204 hp/150 kW  
Electric motor – 129 hp/95 kW

### Available as:

AMG Line, AMG Line Premium and AMG Line Premium Plus

Saloon OTR from **£46,310<sup>1</sup>**

Estate OTR from **£53,160<sup>1</sup>**



### Standard equipment

Acoustic ambient protection – the tone pitch changes depending on the driving conditions. You can therefore also differentiate whether you are braking or accelerating. Above 19 mph, the system is basically deactivated since wind and tyre noise tend to dominate at higher speeds

Charging cable – Mode 3 cable (5 metres, straight) for wallbox and public charging stations

Charging socket

Charging system – AC charging system rated at 11 kW

Comfort suspension

Pre-entry climate control

Radar-based recuperation

Remote and Charging Services Plus

### Technical details

Equivalent All-Electric Range (EAER) <sup>2</sup>	Saloon: 68 miles Estate: 65 miles
AC charging time, 10–100% <sup>3,4</sup>	2 hrs
Range power consumption, combined <sup>2,5</sup>	Saloon: tba kWh/100 km Estate: 220 kWh/100 km
Battery type (usable)	lithium-ion (25.4 kWh)
Capacity on-board charger	AC 11 kW



<sup>1</sup>The recommended on-the-road price includes the Road Fund Licence applicable to the standard model plus delivery charge (£730.00 incl. VAT), new vehicle registration fee (£55.00), fuel (£50.00 incl. VAT), and number plates (£25.00 incl. VAT). VAT is calculated at the standard rate of 20%. Some of the model features, optional extras and colours shown may not be available, or may only be available in a different specification, or at a different price

<sup>2</sup>The indicated values were determined according to the prescribed measurement method - Worldwide Harmonised Light Vehicle Test Procedure (WLTP). Figures shown may include options which are not available in the UK. For Plug-in Hybrid Electric Vehicle (PHEV) figures determined with the battery fully charged, using a combination of both battery power and fuel. These models require mains electricity for charging

<sup>3</sup>Specified voltage and current values refer to network infrastructure and can be limited by the vehicle. Times are from 10–100% charge using a wallbox (three-phase) or standard socket (single-phase)

<sup>4</sup>If you are planning to charge your Mercedes-Benz plug-in electric vehicle using a 3-pin domestic plug socket you must get a qualified electrician to inspect and sign off the socket to confirm it is safe and suitable to charge your vehicle. Do not use an electric vehicle 3-pin charge cable with an extension cord

<sup>5</sup>The certified electrical consumption is generally determined at maximum AC charging capacity using a Mode 3 cable. It is therefore recommended that vehicles with a HV battery preferably be charged at a wallbox or an AC charging station with a Mode 3 cable in order to achieve shorter charging times and improved charging efficiency

Design	Technology	Plug-in Hybrid	Model lines	Upholstery	Model prices	Mercedes-AMG	Mercedes-AMG prices	Mercedes-AMG upholstery	Personalisation	Standard equipment	Genuine accessories	Technical data	Additional information
--------	------------	----------------	-------------	------------	--------------	--------------	---------------------	-------------------------	-----------------	--------------------	---------------------	----------------	------------------------

# Mercedes me Charge

One registration, one contract, one billing.

Mercedes me Charge provides access to a multitude of public charging stations located in shopping centers, hotels or at motorway services. A smartphone app as well as the vehicle's navigation system show the precise location, current availability and price at the selected charging station.

## Tens of thousands charging stations in the UK

Growing network of charging providers includes bp pulse the largest charging network in the UK. Customers also get six months free bp pulse+ membership which reduces the electricity price when charging.



## Access to fast-charging stations

Enables customers to get access to charging stations of different providers with:

- Mercedes me app
- RFID card
- Mercedes-EQ Vehicle Head unit

## Green charging

All charging using Mercedes me Charge, will be retrospectively 'greened' by Mercedes-Benz. Please click [here](#) for more info.

## Transparent and easy billing

One invoice charging processes for payment.

## Easy access

Charging stations are displayed in Mercedes me app and in MBUX multimedia system.

## No fees

Mercedes me Charge is standard for one year with discounted IONITY rapid-charging for one year.





# Mercedes me Charge Tariffs



For more transparency and predictability, enjoy numerous features tailored to your charging habits with the new Mercedes me Charge fixed-priced tariffs S, M and L. Owners of a new Plug-in Hybrid model will be entitled to the Mercedes me Charge tariff M free of charge for the duration of 12 months.

## Tariff L

Recommended for 'frequent drivers'

Choose our tariff L to benefit from the best fixed prices for public charging, including discounted rapid-charging at IONITY charging stations as well as all Mercedes me Charge features. This tariff is recommended for frequent and long-distance drivers.

Consisting of:

- All Mercedes me Charge features
- Fixed prices per kWh (AC: £0.30/kWh; DC: £0.39/kWh)<sup>1</sup>
- IONITY rapid-charging stations discounted (£0.26/kWh)

**£16.20/month**

## Tariff M

Recommended for 'regular drivers'

Should you wish to downgrade your tariff package after 12 months but still want to benefit from fixed prices, discounted rapid-charging at IONITY charging stations and complete transparency, choose tariff M. This tariff is recommended for regular drivers.

Consisting of:

- All Mercedes me Charge features
- Fixed prices per kWh (AC: £0.35/kWh; DC: £0.45/kWh)<sup>1</sup>
- IONITY rapid-charging stations discounted (£0.45/kWh)

**Free of charge for the duration of 12 months.**

**Thereafter:**

**£4.90/month**

## Tariff S

Recommended for 'casual drivers'

Should you wish to downgrade your tariff package after 12 months, there is the option to go for tariff S, which still offers you all the Mercedes me Charge features based on flexible prices per kWh. This tariff is recommended for casual drivers.

Consisting of:

- All Mercedes me Charge features
- Flexible prices per kWh

**£0/month**



<sup>1</sup>Tariff rate excludes the BP Pulse charging network

Design	Technology	Plug-in Hybrid	Model lines	Upholstery	Model prices	Mercedes-AMG	Mercedes-AMG prices	Mercedes-AMG upholstery	Personalisation	Standard equipment	Genuine accessories	Technical data	Additional information
--------	------------	----------------	-------------	------------	--------------	--------------	---------------------	-------------------------	-----------------	--------------------	---------------------	----------------	------------------------



# Home charging with bp pulse Simple, convenient, fast charging.



Mercedes-Benz plug-in vehicle customers with off-street parking can benefit from the convenience and speed of charging at home by installing a home charger. Charge your vehicle with the home charger up to 3x faster than using a standard domestic socket.

## Home charging with bp pulse: £999\* incl. VAT and standard installation

### Key benefits of bp pulse:

bp pulse is one of the only full-service charging solution providers in the UK – producing and installing tens of thousands of their own smart-enabled and reliable Homecharge units across the country.

A comprehensive 3 year warranty.

The standard installation package includes up to 15m of external cabling.

It comes with a bundled offer of 3 month free subscription to the public network and 250 free miles of charge.

The bp pulse home unit is designed from the ground up to be user friendly, future proofed and feature packed with an exciting roadmap of over the air updates ahead.

The bp pulse public network consists of over 9,000 charging bays across the UK. Average costs are between £0.30–£0.55 per kW across fast, rapid and ultra-rapid charge points with the best rates on a subscription basis.

Choice of tethered or un-tethered units

### OZEV Grant:

You may be entitled to claim for an OZEV grant towards the cost of your home charger.<sup>1</sup> To find out whether you are entitled please contact your local Retailer.

### Questions?

Please contact your local Retailer to submit an enquiry to your chosen charging partner on your behalf. To find your local Retailer, please click the button at the top right hand corner.

### Warning!

If you are planning to charge your Mercedes-Benz plug-in electric vehicle using a 3-pin domestic plug socket you must get a qualified electrician to inspect and sign off the socket to confirm it is safe and suitable to charge your vehicle. Do not use an electric vehicle 3-pin charge cable with an extension cord.



\*Price excludes £350 OZEV EVHS Grant. Price correct at time of publication, subject to change

<sup>1</sup>The home charger £350 Grant (including VAT) is only available to customers who meet the criteria of the Office for Zero Emission Vehicles (OZEV). For full details and eligibility criteria for the OZEV EVHS Grant, see <https://www.gov.uk/government/publications/electric-vehicle-homecharge-scheme-guidance-for-customers-version-21>.

Design	Technology	Plug-in Hybrid	Model lines	Upholstery	Model prices	Mercedes-AMG	Mercedes-AMG prices	Mercedes-AMG upholstery	Personalisation	Standard equipment	Genuine accessories	Technical data	Additional information
--------	------------	----------------	-------------	------------	--------------	--------------	---------------------	-------------------------	-----------------	--------------------	---------------------	----------------	------------------------



# Home charging with Pod Point Simple, convenient, fast charging.

Mercedes-Benz plug-in vehicle customers with off-street parking can benefit from the convenience and speed of charging at home by installing a home charger. Charge your vehicle with the home charger up to 3x faster than using a standard domestic socket.

## Home charging with Pod Point: £875\* incl. VAT and standard installation

### Key benefits of Pod Point:

Pod Point is one of the leading provider of EV charging in the UK with over 120,000 home chargepoints installed.

A comprehensive 3 year 'swap out' warranty is included.

Auto Power Balancing lets you adjust your charge so that your electrical supply doesn't get overloaded when your home is using a lot of energy.

Built-in earthing protection removes the needs for expensive earth rods.

The Pod Point public network consists of over 6,200 charging bays across the UK with over 80% of the charge points free to use.

The standard installation package includes up to 15m of external cabling.

Choice of tethered or un-tethered units.

### OZEV Grant:

You may be entitled to claim for an OZEV grant towards the cost of your home charger.<sup>1</sup> To find out whether you are entitled please contact your local Retailer.

### Questions?

Please contact your local Retailer to submit an enquiry to your chosen charging partner on your behalf. To find your local Retailer, please click the button at the top right hand corner.

### Warning!

If you are planning to charge your Mercedes-Benz plug-in electric vehicle using a 3-pin domestic plug socket you must get a qualified electrician to inspect and sign off the socket to confirm it is safe and suitable to charge your vehicle. Do not use an electric vehicle 3-pin charge cable with an extension cord.



\*Price excludes £350 OZEV EVHS Grant. Price correct at time of publication, subject to change

<sup>1</sup>The home charger £350 Grant (including VAT) is only available to customers who meet the criteria of the Office for Zero Emission Vehicles (OZEV). For full details and eligibility criteria for the OZEV EVHS Grant, see <https://www.gov.uk/government/publications/electric-vehicle-homecharge-scheme-guidance-for-customers-version-21>.

Design	Technology	Plug-in Hybrid	Model lines	Upholstery	Model prices	Mercedes-AMG	Mercedes-AMG prices	Mercedes-AMG upholstery	Personalisation	Standard equipment	Genuine accessories	Technical data	Additional information
--------	------------	----------------	-------------	------------	--------------	--------------	---------------------	-------------------------	-----------------	--------------------	---------------------	----------------	------------------------



Book a test drive



Buy your C-Class



Find a Retailer

# C-Class Model lines overview

**Sport »**



**AMG Line Premium »**



**AMG Line »**



**AMG Line Premium Plus »**



Design	Technology	Plug-in Hybrid	Model lines	Upholstery	Model prices	Mercedes-AMG	Mercedes-AMG prices	Mercedes-AMG upholstery	Personalisation	Standard equipment	Genuine accessories	Technical data	Additional information
--------	------------	----------------	-------------	------------	--------------	--------------	---------------------	-------------------------	-----------------	--------------------	---------------------	----------------	------------------------

# C-Class Sport Standard equipment highlights



Option shown: cavansite blue metallic (code 890)



Option shown: cavansite blue metallic (code 890)

### Exterior

17" alloy wheels – 5-spoke design, painted black with a high-sheen finish (code R69)

Adaptive Highbeam Assist

AGILITY CONTROL suspension, lowered by 15mm with selective damping

Cruise control

DYNAMIC SELECT

Exhaust pipes – non-visible exhaust pipes

Front bumper with dynamic design with chrome trims and air intakes in black

LED High Performance headlamps

Powerdomes on bonnet

Rear bumper painted in vehicle colour with centrally positioned trim (wing) in mirror chrome

Summer tyres

Windscreen wipers with rain sensor



Saloon OTR from **£39,860<sup>1</sup>**

Estate OTR from **£40,515<sup>1</sup>**

<sup>1</sup>The recommended on-the-road price includes the Road Fund Licence applicable to the standard model plus delivery charge (£730.00 incl. VAT), new vehicle registration fee (£55.00), fuel (£50.00 incl. VAT), and number plates (£25.00 incl. VAT). VAT is calculated at the standard rate of 20%. Some of the model features, optional extras and colours shown may not be available, or may only be available in a different specification, or at a different price

Design	Technology	Plug-in Hybrid	Model lines	Upholstery	Model prices	Mercedes-AMG	Mercedes-AMG prices	Mercedes-AMG upholstery	Personalisation	Standard equipment	Genuine accessories	Technical data	Additional information
--------	------------	----------------	-------------	------------	--------------	--------------	---------------------	-------------------------	-----------------	--------------------	---------------------	----------------	------------------------



MBUX Navigation Plus



Fingerprint sensor

**Interior**

Dashboard in black

Double cupholder

Floor mats – velour

KEYLESS-GO starting function

Interior Lighting package – lighting of footwells, door handle recesses, as well as rear reading lamps (LED) and courtesy lamps in all doors

Load compartment cover including EASY-PACK safety net (Estate models only)

Mirror package

Seat Comfort package – driver and front passenger seat. Electro-pneumatic four-way lumbar support and manual seat cushion depth adjustment (6 cm)

Seats – folding rear seat backrest

Seats – four-way lumbar support

Seats – heated front seats

Stowage Space package

THERMATIC automatic climate control with two climate zones

**Communications, Safety and Assistance Systems**

11.9-inch high-resolution multimedia colour display

12.3-inch digital instrument cluster display

Active Blind Spot Assist<sup>1</sup>

Active Lane-Keeping Assist<sup>1</sup>

Fingerprint sensor

MBUX extended functions

MBUX multimedia system

MBUX Navigation Premium

Parking package with reversing camera

Smartphone integration<sup>2</sup>

URBAN GUARD vehicle protection (Thatcham Category 1)

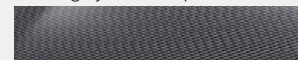


Active Blind Spot Assist

**Trim and Upholstery**

Silver grey diamond pattern trim

Leather – black



<sup>1</sup>Our driver assistance and safety systems are aids and do not relieve you of your responsibility as the driver. Please take note of the information in the Owner's Manual and the system limits which are described therein <sup>2</sup>Compatible mobile phone required



# C-Class AMG Line Standard equipment highlights

Option shown: spectral blue metallic (code 970)



Option shown: spectral blue metallic (code 970)



In addition to/replacement of Sport:

**Engine, Transmission and Suspension**

Sports suspension with selective damping system, lowered by 15 mm including Sports Direct Steer system

**Exterior**

18" AMG alloy wheels – 5-spoke design, aerodynamically optimised, painted tantalite grey with a high-sheen finish (code RSJ) (all engines)

AMG front bumper with sporty air intakes and chrome elements

AMG rear bumper with high-gloss chrome elements

Braking system with larger brake discs on the front axle

Exhaust pipes – two visible exhaust pipes integrated into rear bumper

Privacy glass

Radiator grille with Mercedes-Benz pattern and integral Mercedes star as well as louvre in matte iridium silver with chrome inserts

Summer tyres



Saloon OTR from **£41,240<sup>1</sup>**  
 Estate OTR from **£41,895<sup>1</sup>**  
 Upgrade price from Sport **£1,380**

<sup>1</sup>The recommended on-the-road price includes the Road Fund Licence applicable to the standard model plus delivery charge (£730.00 incl. VAT), new vehicle registration fee (£55.00), fuel (£50.00 incl. VAT), and number plates (£25.00 incl. VAT). VAT is calculated at the standard rate of 20%. Some of the model features, optional extras and colours shown may not be available, or may only be available in a different specification, or at a different price

Design	Technology	Plug-in Hybrid	Model lines	Upholstery	Model prices	Mercedes-AMG	Mercedes-AMG prices	Mercedes-AMG upholstery	Personalisation	Standard equipment	Genuine accessories	Technical data	Additional information
--------	------------	----------------	-------------	------------	--------------	--------------	---------------------	-------------------------	-----------------	--------------------	---------------------	----------------	------------------------



No-cost option shown: sienna brown/black leather (code 294A)



Multifunction sports steering wheel in nappa leather and metal-weave trim

**Interior**

AMG floor mats

Dashboard in ARTICO man-made leather

Sports pedals in brushed stainless steel with rubber studs

Multifunction sports steering wheel in nappa leather

**Trim and Upholstery**

Metal-weave trim



Leather - black



# C-Class AMG Line Premium Standard equipment highlights



Option shown: spectral blue metallic (code 970)



Option shown: MANUFAKTUR selenite grey magno (code 297)

In addition to/replacement of AMG Line:

**Exterior**

18" AMG alloy wheels – 5-spoke design, aerodynamically optimised, painted tantalite grey with a high-sheen finish (hybrid models only) (code RSJ)

19" AMG alloy wheels – multi-spoke design, painted himalayas grey with a high-sheen finish (code RVA)

Adaptive Highbeam Assist Plus

Summer tyres



18" AMG alloy wheels (code RSJ)



19" AMG alloy wheels (code RVA)

Saloon OTR from **£44,345<sup>1</sup>**  
 Upgrade price from AMG Line £3,105  
 Estate OTR from **£44,645<sup>1</sup>**  
 Upgrade price from AMG Line £2,750

<sup>1</sup>The recommended on-the-road price includes the Road Fund Licence applicable to the standard model plus delivery charge (£730.00 incl. VAT), new vehicle registration fee (£55.00), fuel (£50.00 incl. VAT), and number plates (£25.00 incl. VAT). VAT is calculated at the standard rate of 20%. Some of the model features, optional extras and colours shown may not be available, or may only be available in a different specification, or at a different price

Design	Technology	Plug-in Hybrid	Model lines	Upholstery	Model prices	Mercedes-AMG	Mercedes-AMG prices	Mercedes-AMG upholstery	Personalisation	Standard equipment	Genuine accessories	Technical data	Additional information
--------	------------	----------------	-------------	------------	--------------	--------------	---------------------	-------------------------	-----------------	--------------------	---------------------	----------------	------------------------



MBUX augmented reality for navigation

### Interior

Ambient lighting

Illuminated door sills

KEYLESS-GO - keyless comfort access

Memory package - driver's seat, front passenger seat, steering column and exterior mirrors electrically adjustable with memory

### Communications, Safety and Assistance Systems

MBUX augmented reality for navigation

Parking package with 360° camera

### Trim and Upholstery

Metal-weave trim



Leather - black



# C-Class AMG Line Premium Plus Standard equipment highlights



Option shown: MANUFAKTUR opalite white bright (code 885)



Option shown: high-tech silver (code 922U)



18" AMG alloy wheels (code RSJ)

In addition to/replacement of AMG Line Premium:

### Exterior

18" AMG alloy wheels – 5-spoke design, aerodynamically optimised, painted tantalite grey with a high-sheen finish (hybrid models only) (code RSJ)

19" AMG alloy wheels – 5-double-spoke design, aerodynamically optimised, painted black with a high-sheen finish (code RVD)

Panoramic sliding sunroof

Summer tyres



Panoramic sliding sunroof



19" AMG alloy wheels (code RVD)

Saloon OTR from **£47,795<sup>1</sup>**  
 Estate OTR from **£48,095<sup>1</sup>**  
 Upgrade price from AMG Line Premium **£3,450**

<sup>1</sup>The recommended on-the-road price includes the Road Fund Licence applicable to the standard model plus delivery charge (£730.00 incl. VAT), new vehicle registration fee (£55.00), fuel (£50.00 incl. VAT), and number plates (£25.00 incl. VAT). VAT is calculated at the standard rate of 20%. Some of the model features, optional extras and colours shown may not be available, or may only be available in a different specification, or at a different price



### Interior

Head-up display

THERMOTRONIC automatic climate control with four climate zones

### Trim and Upholstery

Anthracite line structure lime wood trim



Leather - black



THERMOTRONIC automatic climate control



Book a test drive



Buy your C-Class



Find a Retailer

# Upholstery

● Standard   □ No-cost option   – Not available



**201A leather<sup>1</sup> - black**

Sport	●
AMG Line	–
AMG Line Premium	–
AMG Line Premium Plus	–



**205A leather<sup>1</sup> - macchiato beige/black**

Sport	□
AMG Line	–
AMG Line Premium	–
AMG Line Premium Plus	–

<sup>1</sup>At least 80% of the seat upholstery is pure leather, while up to 20% may consist of man-made leather

[Book a test drive](#)[Buy your C-Class](#)[Find a Retailer](#)

# Upholstery

Standard
  No-cost option
  Not available

**211A leather<sup>1</sup> - black**

Sport	–
AMG Line	●
AMG Line Premium	●
AMG Line Premium Plus	●

**294A leather<sup>1</sup> - sienna brown/black**

Sport	–
AMG Line	□
AMG Line Premium	□
AMG Line Premium Plus	□

**297A leather<sup>1</sup> - power red/black**

Sport	–
AMG Line	□
AMG Line Premium	□
AMG Line Premium Plus	□

<sup>1</sup>At least 80% of the seat upholstery is pure leather, while up to 20% may consist of man-made leather

Design	Technology	Plug-in Hybrid	Model lines	Upholstery	Model prices	Mercedes-AMG	Mercedes-AMG prices	Mercedes-AMG upholstery	Personalisation	Standard equipment	Genuine accessories	Technical data	Additional information
--------	------------	----------------	-------------	------------	--------------	--------------	---------------------	-------------------------	-----------------	--------------------	---------------------	----------------	------------------------



[Book a test drive](#)[Buy your C-Class](#)[Find a Retailer](#)

# Model prices Saloon

Model line	Engine	Transmission	CO <sub>2</sub> WLTP <sup>1*</sup>	Basic RRP excl. VAT (€)	Total RRP incl. VAT (€)	Road Fund Licence (€) <sup>2</sup> WLTP	Rec. OTR price (€) <sup>3</sup> WLTP	P11D value (€)	BiK tax rate 2022/23 (%) <sup>2</sup>
<b>Sport</b>									
C220 d	Diesel – 1,993 cc, 4-cylinder, 200 hp/147 kW	9G-TRONIC PLUS 9-speed auto.	120	34,016.66	40,820.00	180.00	<b>41,860.00</b>	41,625.00	29
C200	Petrol – 1,496 cc, 4-cylinder, 204 hp/150 kW	9G-TRONIC PLUS 9-speed auto.	146	32,316.66	38,780.00	220.00	<b>39,860.00</b>	39,585.00	34
<b>AMG Line</b>									
C220 d	Diesel – 1,993 cc, 4-cylinder, 200 hp/147 kW	9G-TRONIC PLUS 9-speed auto.	120	35,166.66	42,200.00	180.00	<b>43,240.00</b>	43,005.00	29
C300 d	Diesel – 1,993 cc, 4-cylinder, 265 hp/195 kW	9G-TRONIC PLUS 9-speed auto.	133	38,266.66	45,920.00	220.00	<b>47,000.00</b>	46,725.00	31
C200	Petrol – 1,496 cc, 4-cylinder, 204 hp/150 kW	9G-TRONIC PLUS 9-speed auto.	146	33,466.66	40,160.00	220.00	<b>41,240.00</b>	40,965.00	34
C300	Petrol – 1,999 cc, 4-cylinder, 258 hp/190 kW	9G-TRONIC PLUS 9-speed auto.	152	35,966.66	43,160.00	575.00	<b>44,595.00</b>	43,965.00	35
C300 e	Petrol – 1,999 cc, 4-cylinder, 204 hp/150 kW Electric motor – 129 hp/95 kW	9G-TRONIC PLUS 9-speed auto.	13	37,875.00	45,450.00	0.00	<b>46,310.00</b>	46,255.00	8
<b>AMG Line Premium</b>									
C220 d	Diesel – 1,993 cc, 4-cylinder, 200 hp/147 kW	9G-TRONIC PLUS 9-speed auto.	125	37,458.33	44,950.00	180.00	<b>45,990.00</b>	45,755.00	30
C300 d	Diesel – 1,993 cc, 4-cylinder, 265 hp/195 kW	9G-TRONIC PLUS 9-speed auto.	138	40,558.33	48,670.00	220.00	<b>49,750.00</b>	49,475.00	32
C200	Petrol – 1,496 cc, 4-cylinder, 204 hp/150 kW	9G-TRONIC PLUS 9-speed auto.	153	35,758.33	42,910.00	575.00	<b>44,345.00</b>	43,715.00	35
C300	Petrol – 1,999 cc, 4-cylinder, 258 hp/190 kW	9G-TRONIC PLUS 9-speed auto.	158	38,258.33	45,910.00	575.00	<b>47,345.00</b>	46,715.00	36
C300 e	Petrol – 1,999 cc, 4-cylinder, 204 hp/150 kW Electric motor – 129 hp/95 kW	9G-TRONIC PLUS 9-speed auto.	13	40,166.67	48,200.00	0.00	<b>49,060.00</b>	49,005.00	8

<sup>1</sup>The indicated values were determined according to the prescribed measurement method - Worldwide Harmonised Light Vehicle Test Procedure (WLTP). Figures shown may include options which are not available in the UK. <sup>2</sup>Figures shown are for comparability purposes; only compare with other cars tested to the same technical procedures. Figures may not reflect real life driving results, which will depend upon a number of factors including factory-fitted options, accessories fitted (post registration), variations in weather, driving styles and vehicle load. Further information about the test used to establish fuel consumption and CO<sub>2</sub> figures can be found at <http://www.mercedes-benz.co.uk/WLTP> <sup>3</sup>A different first year rate of Vehicle Excise Duty (Road Fund Licence) applies for new cars. Please refer to page 66 for the relevant rate for the second and subsequent years <sup>4</sup>The recommended on-the-road price includes the Road Fund Licence applicable to the standard model plus delivery charge (£730.00 incl. VAT), new vehicle registration fee (£55.00), fuel (£50.00 incl. VAT), and number plates (£25.00 incl. VAT). VAT is calculated at the standard rate of 20%. Some of the model features, optional extras and colours shown may not be available, or may only be available in a different specification, or at a different price

Design	Technology	Plug-in Hybrid	Model lines	Upholstery	Model prices	Mercedes-AMG	Mercedes-AMG prices	Mercedes-AMG upholstery	Personalisation	Standard equipment	Genuine accessories	Technical data	Additional information
--------	------------	----------------	-------------	------------	--------------	--------------	---------------------	-------------------------	-----------------	--------------------	---------------------	----------------	------------------------

[Book a test drive](#)[Buy your C-Class](#)[Find a Retailer](#)

# Model prices Saloon

Model line	Engine	Transmission	CO <sub>2</sub> WLTP <sup>1*</sup>	Basic RRP excl. VAT (£)	Total RRP incl. VAT (£)	Road Fund Licence (£) <sup>2</sup> WLTP	Rec. OTR price (£) <sup>3</sup> WLTP	P11D value (£)	BiK tax rate 2022/23 (%) <sup>2</sup>
<b>AMG Line Premium Plus</b>									
C220 d	Diesel – 1,993 cc, 4-cylinder, 200 hp/147 kW	9G-TRONIC PLUS 9-speed auto.	127	40,333.33	48,400.00	180.00	<b>49,440.00</b>	49,205.00	30
C300 d	Diesel – 1,993 cc, 4-cylinder, 265 hp/195 kW	9G-TRONIC PLUS 9-speed auto.	139	43,433.33	52,120.00	220.00	<b>53,200.00</b>	52,925.00	32
C200	Petrol – 1,496 cc, 4-cylinder, 204 hp/150 kW	9G-TRONIC PLUS 9-speed auto.	154	38,633.33	46,360.00	575.00	<b>47,795.00</b>	47,165.00	35
C300	Petrol – 1,999 cc, 4-cylinder, 258 hp/190 kW	9G-TRONIC PLUS 9-speed auto.	159	41,133.33	49,360.00	575.00	<b>50,795.00</b>	50,165.00	36
C300 e	Petrol – 1,999 cc, 4-cylinder, 204 hp/150 kW Electric motor – 129 hp/95 kW	9G-TRONIC PLUS 9-speed auto.	14	43,041.67	51,650.00	0.00	<b>52,510.00</b>	52,455.00	8

<sup>1</sup>The indicated values were determined according to the prescribed measurement method - Worldwide Harmonised Light Vehicle Test Procedure (WLTP). Figures shown may include options which are not available in the UK. <sup>2</sup>Figures shown are for comparability purposes; only compare with other cars tested to the same technical procedures. Figures may not reflect real life driving results, which will depend upon a number of factors including factory-fitted options, accessories fitted (post registration), variations in weather, driving styles and vehicle load. Further information about the test used to establish fuel consumption and CO<sub>2</sub> figures can be found at <http://www.mercedes-benz.co.uk/WLTP> <sup>3</sup>A different first year rate of Vehicle Excise Duty (Road Fund Licence) applies for new cars. Please refer to page 66 for the relevant rate for the second and subsequent years <sup>4</sup>The recommended on-the-road price includes the Road Fund Licence applicable to the standard model plus delivery charge (£730.00 incl. VAT), new vehicle registration fee (£55.00), fuel (£50.00 incl. VAT), and number plates (£25.00 incl. VAT). VAT is calculated at the standard rate of 20%. Some of the model features, optional extras and colours shown may not be available, or may only be available in a different specification, or at a different price

[Book a test drive](#)[Buy your C-Class](#)[Find a Retailer](#)

# Model prices Estate

Model line	Engine	Transmission	CO <sub>2</sub> WLTP <sup>1*</sup>	Basic RRP excl. VAT (£)	Total RRP incl. VAT (£)	Road Fund Licence (£) <sup>2</sup> WLTP	Rec. OTR price (£) <sup>3</sup> WLTP	P11D value (£)	BiK tax rate 2022/23 (%) <sup>2</sup>
<b>Sport</b>									
C220 d	Diesel – 1,993 cc, 4-cylinder, 200 hp/147 kW	9G-TRONIC PLUS 9-speed auto.	124	34,266.67	41,120.00	180.00	<b>42,160.00</b>	41,925.00	29
C200	Petrol – 1,496 cc, 4-cylinder, 184 hp/135 kW	9G-TRONIC PLUS 9-speed auto.	151	32,566.67	39,080.00	575.00	<b>40,515.00</b>	39,885.00	35
<b>AMG Line</b>									
C220 d	Diesel – 1,993 cc, 4-cylinder, 200 hp/147 kW	9G-TRONIC PLUS 9-speed auto.	124	35,416.67	42,500.00	180.00	<b>43,540.00</b>	43,305.00	29
C300 d	Diesel – 1,993 cc, 4-cylinder, 265 hp/195 kW	9G-TRONIC PLUS 9-speed auto.	136	38,516.67	46,220.00	220.00	<b>47,300.00</b>	47,025.00	32
C200	Petrol – 1,496 cc, 4-cylinder, 200 hp/150 kW	9G-TRONIC PLUS 9-speed auto.	151	33,716.67	40,460.00	575.00	<b>41,895.00</b>	41,265.00	35
C300	Petrol – 1,999 cc, 4-cylinder, 258 hp/190 kW	9G-TRONIC PLUS 9-speed auto.	157	36,216.67	43,460.00	575.00	<b>44,895.00</b>	44,265.00	36
<b>AMG Line Premium</b>									
C220 d	Diesel – 1,993 cc, 4-cylinder, 200 hp/147 kW	9G-TRONIC PLUS 9-speed auto.	129	37,708.33	45,250.00	180.00	<b>46,290.00</b>	46,055.00	30
C300 d	Diesel – 1,993 cc, 4-cylinder, 265 hp/195 kW	9G-TRONIC PLUS 9-speed auto.	141	40,808.33	48,970.00	220.00	<b>50,050.00</b>	49,775.00	33
C200	Petrol – 1,496 cc, 4-cylinder, 200 hp/150 kW	9G-TRONIC PLUS 9-speed auto.	157	36,008.33	43,210.00	575.00	<b>44,645.00</b>	44,015.00	36
C300	Petrol – 1,999 cc, 4-cylinder, 258 hp/190 kW	9G-TRONIC PLUS 9-speed auto.	162	38,508.33	46,210.00	575.00	<b>47,645.00</b>	47,015.00	37
<b>AMG Line Premium Plus</b>									
C220 d	Diesel – 1,993 cc, 4-cylinder, 200 hp/147 kW	9G-TRONIC PLUS 9-speed auto.	131	40,583.33	48,700.00	180.00	<b>49,740.00</b>	49,505.00	31
C300 d	Diesel – 1,993 cc, 4-cylinder, 265 hp/195 kW	9G-TRONIC PLUS 9-speed auto.	143	43,683.33	52,420.00	220.00	<b>53,500.00</b>	53,225.00	33
C200	Petrol – 1,496 cc, 4-cylinder, 200 hp/150 kW	9G-TRONIC PLUS 9-speed auto.	159	38,883.33	46,660.00	575.00	<b>48,095.00</b>	47,465.00	36
C300	Petrol – 1,999 cc, 4-cylinder, 258 hp/190 kW	9G-TRONIC PLUS 9-speed auto.	163	41,383.33	49,660.00	575.00	<b>51,095.00</b>	50,465.00	37
C300 e	Petrol – 1,999 cc, 4-cylinder, 204 hp/150 kW Electric motor – 180 hp/96 kW	9G-TRONIC PLUS 9-speed auto.	15	43,583.33	52,300.00	0.00	<b>53,160.00</b>	53,105.00	8

<sup>1</sup>The indicated values were determined according to the prescribed measurement method - Worldwide Harmonised Light Vehicle Test Procedure (WLTP). Figures shown may include options which are not available in the UK. <sup>2</sup>Figures shown are for comparability purposes; only compare with other cars tested to the same technical procedures. Figures may not reflect real life driving results, which will depend upon a number of factors including factory-fitted options, accessories fitted (post registration), variations in weather, driving styles and vehicle load. Further information about the test used to establish fuel consumption and CO<sub>2</sub> figures can be found at <http://www.mercedes-benz.co.uk/WLTP> <sup>3</sup>A different first year rate of Vehicle Excise Duty (Road Fund Licence) applies for new cars. Please refer to page 66 for the relevant rate for the second and subsequent years <sup>4</sup>The recommended on-the-road price includes the Road Fund Licence applicable to the standard model plus delivery charge (£730.00 incl. VAT), new vehicle registration fee (£55.00), fuel (£50.00 incl. VAT), and number plates (£25.00 incl. VAT). VAT is calculated at the standard rate of 20%. Some of the model features, optional extras and colours shown may not be available, or may only be available in a different specification, or at a different price

Design	Technology	Plug-in Hybrid	Model lines	Upholstery	Model prices	Mercedes-AMG	Mercedes-AMG prices	Mercedes-AMG upholstery	Personalisation	Standard equipment	Genuine accessories	Technical data	Additional information
--------	------------	----------------	-------------	------------	--------------	--------------	---------------------	-------------------------	-----------------	--------------------	---------------------	----------------	------------------------



Book a test drive



Buy your C-Class



Find a Retailer

C-Class



AMG

# Mercedes-AMG



Design	Technology	Plug-in Hybrid	Model lines	Upholstery	Model prices	Mercedes-AMG	Mercedes-AMG prices	Mercedes-AMG upholstery	Personalisation	Standard equipment	Genuine accessories	Technical data	Additional information
--------	------------	----------------	-------------	------------	--------------	--------------	---------------------	-------------------------	-----------------	--------------------	---------------------	----------------	------------------------



Book a test drive



Buy your C-Class



Find a Retailer

# Mercedes-AMG C-Class Model lines overview



Design	Technology	Plug-in Hybrid	Model lines	Upholstery	Model prices	Mercedes-AMG	Mercedes-AMG prices	Mercedes-AMG upholstery	Personalisation	Standard equipment	Genuine accessories	Technical data	Additional information
--------	------------	----------------	-------------	------------	--------------	--------------	---------------------	-------------------------	-----------------	--------------------	---------------------	----------------	------------------------

# Mercedes-AMG C 43 4MATIC Premium Standard equipment highlights



Saloon OTR from **£64,110<sup>1</sup>**  
Estate OTR from **£64,760<sup>1</sup>**

### Exterior

19" AMG alloy wheels – 5-twin-spoke design, titanium grey with a high-sheen finish (code RSW)

Adaptive Highbeam Assist Plus

AMG bodystyling – front apron, rear apron and side skirts

AMG boot lid spoiler (Saloon only)

DIGITAL LIGHT

Privacy glass

Rear axle steering

Summer tyres



<sup>1</sup>The recommended on-the-road price includes the Road Fund Licence applicable to the standard model plus delivery charge (£730.00 incl. VAT), new vehicle registration fee (£55.00), fuel (£50.00 incl. VAT), and number plates (£25.00 incl. VAT). VAT is calculated at the standard rate of 20%. Some of the model features, optional extras and colours shown may not be available, or may only be available in a different specification, or at a different price

Design	Technology	Plug-in Hybrid	Model lines	Upholstery	Model prices	Mercedes-AMG	Mercedes-AMG prices	Mercedes-AMG upholstery	Personalisation	Standard equipment	Genuine accessories	Technical data	Additional information
--------	------------	----------------	-------------	------------	--------------	--------------	---------------------	-------------------------	-----------------	--------------------	---------------------	----------------	------------------------



**Interior**

Ambient lighting - interior 64-colour dynamic multicolour LED lighting of trim on dashboard, centre console, and front and rear door panelling

Illuminated door sills

KEYLESS-GO Starting function

Memory package - driver's seat, front passenger seat, steering column and exterior mirrors - electrically adjustable with memory

Seat belts - red

Steering wheel - AMG Performance steering wheel in nappa leather

THERMATIC automatic climate control, two-zone

**Communications, Safety and Assistance Systems**

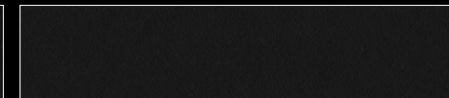
Parking package with 360° camera

MBUX augmented reality for navigation

**Trim and Upholstery**

Anthracite linestructure lime wood trim

Leather - black



# Mercedes-AMG C 43 4MATIC Premium Plus Standard equipment highlights



Saloon OTR from **£68,110<sup>1</sup>**  
 Estate OTR from **£68,760<sup>1</sup>**

Upgrade price from Mercedes-AMG C 43 4MATIC Premium **£4,000**

In addition to/replacement of Mercedes-AMG C 43 4MATIC Premium:

**Exterior**

20" AMG alloy wheels – 5-twin-spoke design, aerodynamically optimised, tantalite grey with a high-sheen finish (code RZX)

Panoramic electric glass sunroof

Summer tyres

<sup>1</sup>The recommended on-the-road price includes the Road Fund Licence applicable to the standard model plus delivery charge (£730.00 incl. VAT), new vehicle registration fee (£55.00), fuel (£50.00 incl. VAT), and number plates (£25.00 incl. VAT). VAT is calculated at the standard rate of 20%. Some of the model features, optional extras and colours shown may not be available, or may only be available in a different specification, or at a different price

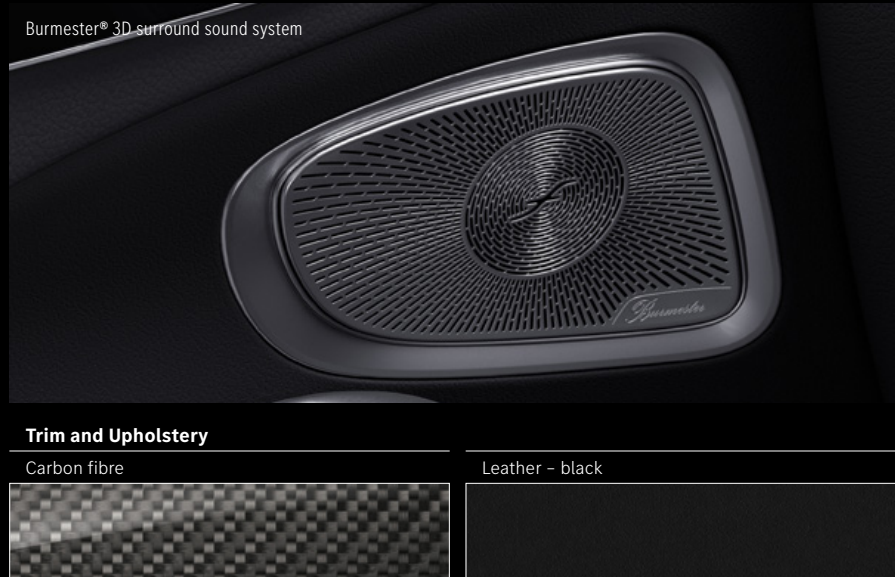
Design	Technology	Plug-in Hybrid	Model lines	Upholstery	Model prices	Mercedes-AMG	Mercedes-AMG prices	Mercedes-AMG upholstery	Personalisation	Standard equipment	Genuine accessories	Technical data	Additional information
--------	------------	----------------	-------------	------------	--------------	--------------	---------------------	-------------------------	-----------------	--------------------	---------------------	----------------	------------------------





Head-up display

Burmester® 3D surround sound system

**Interior**

THERMATRONIC automatic climate control, four-zone

**Communications, Safety and Assistance Systems**

Burmester® 3D surround sound system

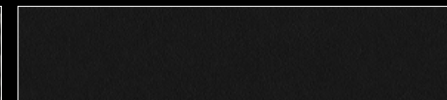
Head-up display

**Trim and Upholstery**

Carbon fibre



Leather – black





Book a test drive



Buy your C-Class



Find a Retailer

# Become the AMG expert

Unleash a new level of performance.



Step into the world of performance and experience the AMG brand at Mercedes-Benz World – from the powerful sound of the engines to the smell of the leather to the unmistakable design of our vehicles.

Mercedes-Benz World invites all Mercedes-AMG customers to a complimentary adrenaline-packed driving experience. Feel the sensational AMG driving performance, develop your driving skills and even try your hand at power-sliding on the Wet Skid Circle. With expert one-to-one guidance from a Driving Specialist in the passenger seat, experience every inch of our Handling Circuits, Dynamic Straight and low friction surfaces.

[Click here for more information](#)



#### TERMS AND CONDITIONS

The following customers only are eligible: The first purchaser/registered keeper of a newly registered Mercedes-AMG. The complimentary Training must be booked and taken within 12 months of delivery of your Mercedes-AMG, the Training is offered on specific days only and subject to availability. Upgrades are available for an additional cost, details upon request. Transferable to individuals who reside at the same postal address only. Mercedes-Benz Cars UK Limited reserves the right to amend or withdraw this Training experience. Attendees must hold a full UK driving licence. Attendees will be required to sign the Mercedes-Benz World Driving Risk Acknowledgement prior to undertaking the Training experience. The Training experience is also subject to the Mercedes-Benz World Terms and Conditions, as applicable. Invitation is emailed to the customer post-delivery, permission via the customer contact preferences must be given to enable Mercedes-Benz World to contact. Retailer demonstrator vehicles are not eligible.

Design	Technology	Plug-in Hybrid	Model lines	Upholstery	Model prices	Mercedes-AMG	Mercedes-AMG prices	Mercedes-AMG upholstery	Personalisation	Standard equipment	Genuine accessories	Technical data	Additional information
--------	------------	----------------	-------------	------------	--------------	--------------	---------------------	-------------------------	-----------------	--------------------	---------------------	----------------	------------------------

[Book a test drive](#)[Buy your C-Class](#)[Find a Retailer](#)

# Mercedes-AMG prices Saloon and Estate



Model line	Engine	Transmission	CO <sub>2</sub> WLTP <sup>1,*</sup>	Basic RRP excl. VAT (£)	Total RRP incl. VAT (£)	Road Fund Licence (£) <sup>2</sup> WLTP	Rec. OTR price (£) <sup>3</sup> WLTP	P11D value (£)	BiK tax rate 2022/23 (%) <sup>2</sup>
<b>Saloon</b>									
Mercedes-AMG C 43 4MATIC Premium	Petrol - 1,991cc, 4-cylinder, 408 hp/300 kW	9G-TRONIC PLUS 9-speed auto.	203	51,533.33	61,840.00	1,410.00	<b>64,110.00</b>	62,645.00	37
Mercedes-AMG C 43 4MATIC Premium Plus	Petrol - 1,991cc, 4-cylinder, 408 hp/300 kW	9G-TRONIC PLUS 9-speed auto.	203	54,866.67	65,840.00	1,410.00	<b>68,110.00</b>	66,645.00	37
<b>Estate</b>									
Mercedes-AMG C 43 4MATIC Premium	Petrol - 1,991cc, 4-cylinder, 408 hp/300 kW	9G-TRONIC PLUS 9-speed auto.	205	52,075.00	62,490.00	1,410.00	<b>64,760.00</b>	63,295.00	37
Mercedes-AMG C 43 4MATIC Premium Plus	Petrol - 1,991cc, 4-cylinder, 408 hp/300 kW	9G-TRONIC PLUS 9-speed auto.	206	55,408.33	66,490.00	1,410.00	<b>68,760.00</b>	67,295.00	37

<sup>1</sup>The indicated values were determined according to the prescribed measurement method - Worldwide Harmonised Light Vehicle Test Procedure (WLTP). Figures shown may include options which are not available in the UK. <sup>2</sup>Figures shown are for comparability purposes; only compare with other cars tested to the same technical procedures. Figures may not reflect real life driving results, which will depend upon a number of factors including factory-fitted options, accessories fitted (post registration), variations in weather, driving styles and vehicle load. Further information about the test used to establish fuel consumption and CO<sub>2</sub> figures can be found at <http://www.mercedes-benz.co.uk/WLTP>. <sup>3</sup>A different first year rate of Vehicle Excise Duty (Road Fund Licence) applies for new cars. Please refer to page 51 for the relevant rate for the second and subsequent years. <sup>4</sup>The recommended on-the-road price includes the Road Fund Licence applicable to the standard model plus delivery charge (£730.00 incl. VAT), new vehicle registration fee (£55.00), fuel (£50.00 incl. VAT), and number plates (£25.00 incl. VAT). VAT is calculated at the standard rate of 20%. Some of the model features, optional extras and colours shown may not be available, or may only be available in a different specification, or at a different price.

Design	Technology	Plug-in Hybrid	Model lines	Upholstery	Model prices	Mercedes-AMG	Mercedes-AMG prices	Mercedes-AMG upholstery	Personalisation	Standard equipment	Genuine accessories	Technical data	Additional information
--------	------------	----------------	-------------	------------	--------------	--------------	---------------------	-------------------------	-----------------	--------------------	---------------------	----------------	------------------------

[Book a test drive](#)[Buy your C-Class](#)[Find a Retailer](#)

# Mercedes-AMG upholstery

- Standard
- No-cost option



**251A leather<sup>1</sup> - black with red contrast stitching**

All Mercedes-AMG C43 4MATIC variants



**294A leather<sup>1</sup> - sienna brown/black**

All Mercedes-AMG C43 4MATIC variants



**297A leather<sup>1</sup> - power red/black**

All Mercedes-AMG C43 4MATIC variants



<sup>1</sup>At least 80% of the seat upholstery is pure leather, while up to 20% may consist of man-made leather

<a href="#">Design</a>	<a href="#">Technology</a>	<a href="#">Plug-in Hybrid</a>	<a href="#">Model lines</a>	<a href="#">Upholstery</a>	<a href="#">Model prices</a>	<a href="#">Mercedes-AMG</a>	<a href="#">Mercedes-AMG prices</a>	<a href="#">Mercedes-AMG upholstery</a>	<a href="#">Personalisation</a>	<a href="#">Standard equipment</a>	<a href="#">Genuine accessories</a>	<a href="#">Technical data</a>	<a href="#">Additional information</a>
------------------------	----------------------------	--------------------------------	-----------------------------	----------------------------	------------------------------	------------------------------	-------------------------------------	---	---------------------------------	------------------------------------	-------------------------------------	--------------------------------	--



Book a test drive



Buy your C-Class



Find a Retailer

# Colour options Non-metallic, metallic and MANUFAKTUR paints

● Standard

Total prices incl. VAT



149 polar white non-metallic ●



859 mojave silver metallic £715.00



970 spectral blue metallic £715.00



297 MANUFAKTUR selenite grey magno<sup>1</sup> £1,825.00



197 obsidian black metallic £715.00



890 cavansite blue metallic £715.00



992 selenite grey metallic £715.00



885 MANUFAKTUR opalite white bright £925.00



831 graphite grey metallic £715.00



922 high-tech silver metallic £715.00



996 MANUFAKTUR hyacinth red £925.00

<sup>1</sup>MANUFAKTUR magno matt paint finishes require extra care. Please refer to the Owner's Manual for instructions Please note that, owing to limitations of on-screen representation, paint colours may differ from those shown

Design	Technology	Plug-in Hybrid	Model lines	Upholstery	Model prices	Mercedes-AMG	Mercedes-AMG prices	Mercedes-AMG upholstery	Personalisation	Standard equipment	Genuine accessories	Technical data	Additional information
--------	------------	----------------	-------------	------------	--------------	--------------	---------------------	-------------------------	-----------------	--------------------	---------------------	----------------	------------------------

[Book a test drive](#)[Buy your C-Class](#)[Find a Retailer](#)

# Driving Assistance package Plus

The Driving Assistance package Plus<sup>1</sup> contains a range of highly intelligent features to help you stay safe on the road – by making the drive more effortless, by warning of danger, and by taking steps to protect you in an emergency.

**Driving Assistance package Plus<sup>1</sup>** (code PFA) – designed and priced as a package, including items listed below.

**AMG Line Premium Plus and Mercedes-AMG models only**

**Total incl. VAT £1,695.00**

Active Blind Spot Assist



Active Distance Assist DISTRONIC



Active Lane-Keeping Assist



**Active Blind Spot Assist**

**Active Brake Assist** with vehicle, bike and pedestrian detection

**Active Distance Assist DISTRONIC**

**Active Emergency Stop Assist** active when lane markings are detected, independently of DISTRONIC

**Active Lane Change Assist**

**Active Lane Keeping Assist**

**Active Speed Limit Assist**

**Active Stop-and-Go Assist**

**Active Steering Assist** with hands-off warning

**Congestion emergency braking function**

**Cornering and Cross-Traffic Function**

**Emergency corridor function**

**Exit warning function** when hand moves towards the door handles

**Evasive Steering Assist** with bike, pedestrian and end of traffic jam detection

**Extended automatic restart function on motorways**

**PRE-SAFE® Impulse Side**

**Route-based speed adaptation with end of traffic jam function**

**Traffic Sign Assist**

**Turning manoeuvre function**

**Warning** of red lights, stop signs, pedestrian crossings and no-entry restrictions

<sup>1</sup>Our driver assistance and safety systems are aids and do not relieve you of your responsibility as the driver. Please take note of the information in the Owner's Manual and the system limits which are described therein

Design	Technology	Plug-in Hybrid	Model lines	Upholstery	Model prices	Mercedes-AMG	Mercedes-AMG prices	Mercedes-AMG upholstery	Personalisation	Standard equipment	Genuine accessories	Technical data	Additional information
--------	------------	----------------	-------------	------------	--------------	--------------	---------------------	-------------------------	-----------------	--------------------	---------------------	----------------	------------------------

[Book a test drive](#)[Buy your C-Class](#)[Find a Retailer](#)

# Trailer coupling with ESP® trailer stabilisation

## Trailer coupling with ESP® trailer stabilisation (code 550)

**Available on AMG Line Premium and  
AMG Line Premium Plus Estate models only**

**Total incl. VAT £750.00**

Expand your transport options: with this practical equipment you can hitch up both trailers or caravans and also mount cycle racks. The trailer coupling is ready for use in no time at all – and can be folded in again behind the rear bumper just as quickly when it is no longer needed.

Operating safety is the top priority: to fold out the trailer coupling, you must first unlock it via the control button in the boot. As soon as the button light goes out, the trailer coupling is correctly engaged and is therefore ready for use.

Even when driving you can benefit from a comprehensive safety concept: the ESP® trailer stabilisation is able to intervene automatically in critical situations when driving with a trailer. The associated sensor system detects the trailer independently as soon as the electric plug is connected to your vehicle.

The ESP® stabilisation functions are automatically active from a speed of 40 mph. When undesired oscillating motions are detected, the Trailer Stability Assist actively dampens these with the aid of alternate brake actuation of each individual wheel. In most cases this is already sufficient to reduce dangerous oscillations. If necessary, the system additionally reduces the speed: for this, the engine torque is reduced and the vehicle is braked via all four wheels.



Design	Technology	Plug-in Hybrid	Model lines	Upholstery	Model prices	Mercedes-AMG	Mercedes-AMG prices	Mercedes-AMG upholstery	Personalisation	Standard equipment	Genuine accessories	Technical data	Additional information
--------	------------	----------------	-------------	------------	--------------	--------------	---------------------	-------------------------	-----------------	--------------------	---------------------	----------------	------------------------

[Book a test drive](#)[Buy your C-Class](#)[Find a Retailer](#)

# Standard equipment

● Standard    – Not available

## Engine, Transmission and Suspension

	Sport	AMG Line	AMG Line Premium	AMG Line Premium Plus
9G-TRONIC PLUS 9-speed automatic transmission	●	●	●	●
AGILITY CONTROL suspension, lowered by 15 mm with selective damping	●	–	–	–
Comfort suspension (C300e only)	–	●	●	●
Driving modes – DYNAMIC SELECT with a choice of driving modes (Comfort, ECO, Sport, Sport+, Individual)	●	●	●	●
Sports suspension with selective damping system, lowered by 15 mm	–	●	●	●
Steering – Sports Direct-Steer system with speed-sensitive steering (not PHEV)	–	–	●	●
Steering column – electrically adjustable for height and reach	–	–	●	●
Steering column – manually adjustable for height and reach	●	●	–	–

## Exterior

Acoustic ambient protection – the tone pitch changes depending on the driving conditions. You can therefore also differentiate whether you are braking or accelerating. Above 19 mph, the system is basically deactivated since wind and tyre noise tend to dominate at higher speeds (C300e only)	–	●	●	●
B-pillar trim in glossy black	●	●	●	●
Beltline trim in chrome	●	●	●	●
Bumper – AMG front bumper with sporty air intakes and chrome elements	–	●	●	●
Bumper – AMG rear bumper with high-gloss chrome elements	–	●	●	●
Bumper – front bumper with dynamic design with chrome trims and air intakes in black	●	–	–	–
Bumper – rear bumper in vehicle colour with chrome wing in the centre	●	–	–	–
Exhaust pipes – non-visible exhaust pipes	●	–	–	–
Exhaust pipes – two visible exhaust pipes integrated into rear bumper	–	●	●	●
Fuel tank with increased capacity – 66 litres	●	●	●	●
Headlamps – Adaptive Highbeam Assist	●	●	–	–

	Sport	AMG Line	AMG Line Premium	AMG Line Premium Plus
Headlamps – Adaptive Highbeam Assist Plus	–	–	●	●
Headlamps – LED High Performance headlamps	●	●	–	–
Larger brake discs on the front axle	–	●	●	●
Mirror package	●	●	●	●
Powerdomes on bonnet	●	●	●	●
Privacy glass	–	●	●	●
Radiator grille – with integrated star, chrome lamella and radiator frame	●	–	–	–
Radiator grille – with Mercedes-Benz pattern and integral Mercedes star as well as louvre in matte iridium silver with chrome inserts	–	●	●	●
Side skirts – AMG skirts in vehicle colour	–	●	●	●
Side skirts – skirts in vehicle colour	●	–	–	–
Sporty engine sound for petrol engines (not PHEV)	–	●	●	●

## Wheels

17" alloy wheels – 5-spoke design, painted black with a high-sheen finish, 225/50 R17 tyres (code R69)	●	–	–	–
18" AMG alloy wheels – 5-spoke design, aerodynamically optimised, painted tantalite grey with a high-sheen finish, 225/45 (front) and 245/40 (rear) R18 tyres (code RSJ) (all engines)	–	●	–	–
18" AMG alloy wheels – 5-spoke design, aerodynamically optimised, painted tantalite grey with a high-sheen finish, 225/45 (front) and 245/40 (rear) R18 tyres (code RSJ) (C300e only)	–	–	●	●
19" AMG alloy wheels – multi-spoke design, painted himalayas grey with a high-sheen finish, 225/40 (front) and 255/35 (rear) R19 tyres (code RVA) (all engines, except C300e only)	–	–	●	–
19" AMG alloy wheels – 5-double-spoke design, aerodynamically optimised, painted black with a high-sheen finish, 225/40 (front) and 255/35 (rear) R19 tyres (code RVD) (all engines, except C300e only)	–	–	–	●
Summer tyres	●	●	●	●



[Book a test drive](#)[Buy your C-Class](#)[Find a Retailer](#)

# Standard equipment

● Standard    – Not available

## Interior

	Sport	AMG Line	AMG Line Premium	AMG Line Premium Plus
Air vents black with silver chrome elements	●	●	●	●
Ambient lighting	–	–	●	●
Charging cable – Mode 3 cable (5 metres, straight) for wallbox and public charging stations (C300e only)	–	●	●	●
Charging socket (C300e only)	–	●	●	●
Charging system – AC charging system rated at 11kW (C300e only)	–	●	●	●
Door trim elements high-gloss black with silver chrome surroundings and switches	●	●	●	●
Double cupholder	●	●	●	●
Floor mats – AMG	–	●	●	●
Floor mats – velours	●	–	–	–
Head-up display – projects key driver information such as vehicle speed, navigation tips and speed limits as virtual colour image (21 x 7 cm) into the driver's field of vision. Special light sensors adjust the brightness of the head-up display to ensure good visibility without distraction. The display is easily height-adjustable	–	–	–	●
Illuminated door sills with Mercedes-Benz lettering	–	–	●	●
Interior Lighting package – lighting of footwells, door handle recesses, as well as rear reading lamps (LED) and courtesy lamps in all doors	●	●	●	●
KEYLESS-GO – keyless comfort access	–	–	●	●
KEYLESS-GO starting function	●	●	●	●
Load compartment cover including EASY-PACK safety net (Estate models only)	●	●	●	●
Pre-entry climate control (C300e only)	–	●	●	●
Memory package – driver's seat, front passenger seat, steering column and exterior mirrors electrically adjustable with memory	–	–	●	●
Sports pedals in brushed stainless steel with rubber studs	–	●	●	●

	Sport	AMG Line	AMG Line Premium	AMG Line Premium Plus
Steering wheel – 3-spoke multifunction AMG steering wheel in black nappa leather with flattened bottom section, chrome inserts and perforated leather in grip area	–	●	●	●
Steering wheel – 3-spoke multifunction steering wheel in leather with trim in silver chrome and perforated leather in grip area	●	–	–	–
Overhead control unit in black high-gloss	●	●	●	●
Seats – heated front seats	●	●	●	●
Seats – folding rear seat backrest	●	●	●	●
Seats – four-way lumbar support	●	●	●	●
Seats – Seat Comfort package for driver and front passenger seat. Electro-pneumatic four-way lumbar support and manual seat cushion depth adjustment (6 cm)	●	●	●	●
Stowage Space package	●	●	●	●
THERMATIC automatic climate control with two climate zones	●	●	●	–
THERMOTRONIC automatic climate control with four climate zones	–	–	–	●

## Paint, Trim and Upholstery

	Sport	AMG Line	AMG Line Premium	AMG Line Premium Plus
Roof liner in black	●	●	●	●
Dashboard in ARTICO man-made leather	–	●	●	●
Dashboard in black with contrast stitching	●	–	–	–
Trim – centre console in anthracite line structure lime wood	–	–	–	●
Trim – centre console in metal weave	–	●	●	–
Trim – centre console in silver grey diamond pattern	●	–	–	–
Upholstery – leather in black	●	●	●	●

[Book a test drive](#)[Buy your C-Class](#)[Find a Retailer](#)

# Standard equipment

● Standard    – Not available

## Safety and Assistance Systems

	Sport	AMG Line	AMG Line Premium	AMG Line Premium Plus
Active Blind Spot Assist <sup>1</sup>	●	●	●	●
Active bonnet – pedestrian safety measure which detects an impact and raises bonnet	●	●	●	●
Active Brake Assist <sup>1</sup> with turning manoeuvre function	●	●	●	●
Active Lane-Keeping Assist <sup>1</sup>	●	●	●	●
Adaptive Brake Assist with HOLD function and brake-drying function	●	●	●	●
Adaptive brake lamps	●	●	●	●
Anti-lock braking system (ABS)	●	●	●	●
ATTENTION ASSIST – can help alert to prevent long journey fatigue	●	●	●	●
Central locking with interior switch, automatic locking and crash sensor with emergency opening function	●	●	●	●
Diesel Particulate Filter – all diesel engines	●	●	●	●
Dual-stage airbags – driver and front passenger; front centre airbag between driver and front passenger seats; sidebags in front seats; driver kneebag; pelvis bag and windowbags for driver, front passenger and rear passengers	●	●	●	●
Electric parking brake	●	●	●	●
Electronic Stability Programme (ESP <sup>®</sup> )	●	●	●	●
First-aid kit and warning triangle	●	●	●	●
Fluorescent jacket for driver	●	●	●	●
ISOFIX child seat attachment points with top tether in rear	●	●	●	●

	Sport	AMG Line	AMG Line Premium	AMG Line Premium Plus
Parking package with 360° camera – the Active Parking Assist with PARKTRONIC and 360° camera detects free parking spaces and marked parking spaces whilst driving past. After selecting a parking space parking is effortless thanks to dynamic visualisation and audible feedback – or have the vehicle manoeuvre into the space with assisted parking	–	–	●	●
Parking package with reversing camera – the Active Parking Assist with PARKTRONIC detects free parking spaces as you drive past. As soon as a parking space has been selected, thanks to the reversing camera, ultrasonic sensors and practical visualisations you can enter a space effortlessly – or have the vehicle parked with assistance	●	●	–	–
Petrol Particulate Filter (PPF) – all petrol engines	●	●	●	●
Radar-based recuperation (C 300 e only)	–	●	●	●
Remote boot release	●	●	●	●
Service indicator ASSYST	●	●	●	●
SPEEDTRONIC cruise control with variable speed limiter	●	●	●	●
Status display for rear seat belts in instrument cluster	●	●	●	●
TIREFIT with tyre inflation compressor	●	●	●	●
Tyre pressure monitoring system	●	●	●	●
URBAN GUARD vehicle protection (Thatcham Category 1) consisting of a break-in and anti-theft alarm system (ATA), interior monitoring and tow-away protection	●	●	●	●
Windscreen wipers with rain sensor	●	●	●	●

<sup>1</sup>Our driver assistance and safety systems are aids and do not relieve you of your responsibility as the driver. Please take note of the information in the Owner's Manual and the system limits which are described therein

[Book a test drive](#)[Buy your C-Class](#)[Find a Retailer](#)

# Standard equipment

● Standard    – Not available

## Communications and In-Car Entertainment

	Sport	AMG Line	AMG Line Premium	AMG Line Premium Plus
11.9-inch high-resolution multimedia colour display	●	●	●	●
12.3-inch digital instrument cluster display	●	●	●	●
Digital radio	●	●	●	●
Fingerprint sensor	●	●	●	●
MBUX augmented reality for navigation	–	–	●	●
MBUX extended functions	●	●	●	●
MBUX Navigation Premium	●	●	●	●
Pre-installation for digital key transfer	●	●	●	●
Remote and Charging Services Plus (C300e only)	–	●	●	●
Remote services	●	●	●	●
Smartphone integration <sup>1</sup>	●	●	●	●

<sup>1</sup>Compatible mobile phone required

[Book a test drive](#)[Buy your C-Class](#)[Find a Retailer](#)

# Standard equipment Mercedes-AMG

● Standard    – Not available

## Engine, Transmission and Suspension

	C 43 4MATIC Premium Plus	C 43 4MATIC Premium
9G-TRONIC PLUS 9-speed automatic transmission	●	●
AGILITY CONTROL sports suspension, with Adaptive Damping System	●	●
Driving modes – AMG DYNAMIC SELECT with a choice of driving modes (Slippery, Comfort, Sport, Sport+, Individual)	●	●
Steering column – electrically adjustable for height and reach	●	●
Steering – Sports Direct-Steer system with speed-sensitive sports steering	●	●

## Exterior

AMG bodystyling – front apron, rear apron and side skirts	●	●
Brake callipers – with 'Mercedes-Benz' lettering and perforated front brake discs	●	●
EASY PACK automatic powered tailgate (Estate only)	●	●
Exterior mirrors – heated and electronically adjustable	●	●
Exhaust pipes – two visible exhaust pipes integrated into rear bumper	●	●
Fuel tank with increased capacity – 66 litres	●	●
Headlamps – DIGITAL LIGHT	●	●
Mirror package	●	●
Radiator grille – with integrated Mercedes-Benz star, diamond grille and chrome pins	●	●
Rain-sensing windscreen wipers	●	●
Roof rails – chrome (Estate only)	●	●
Tail lamps – full LED	●	●
Tinted glass all round – green	●	●
Top surround of side windows in polished aluminium	●	●

## Wheels

	C 43 4MATIC Premium Plus	C 43 4MATIC Premium
19" AMG alloy wheels – 5-twin-spoke desing, titanium grey with a high-sheen finish, 245/40 (front) and 265/35 (rear) R19 tyres (code RSW)	●	–
20" AMG alloy wheels – 5-twin-spoke design, aerodynamically optimised, painted tantalite grey with a high-sheen finish, 245/35 (front) and 265/30 (rear) R 20 tyres (code RZX)	–	●
Summer tyres	●	●

## Interior

Ambient lighting – 64 colours	●	●
Electric windows (2) – one-touch opening and closing, including obstruction sensors	●	●
Electronic key – chrome surround	●	●
Floor mats – black with 'AMG' lettering	●	●
Front door sill panels with 'Mercedes-Benz' lettering	●	●
Interior Lighting package – lighting of footwells, door handle recesses, as well as rear reading lamps (LED) and courtesy lamps in all doors	●	●
KEYLESS-GO – keyless comfort access	●	●
Load compartment cover including EASY-PACK safety net (Estate only)	●	●
Outside temperature display	●	●
Memory package – driver's seat, front passenger seat, steering column and exterior mirrors electrically adjustable with memory	●	●
Sports pedals in brushed stainless steel with rubber studs	●	●
Steering wheel – gearshift paddle	●	●
Steering wheel – AMG Performance steering wheel in nappa leather	●	●

[Book a test drive](#)[Buy your C-Class](#)[Find a Retailer](#)

# Standard equipment Mercedes-AMG

● Standard    – Not available

## Interior (continued)

	C 43 4MATIC Premium Plus	C 43 4MATIC Premium
Steering wheel – multi-function with audio and onboard settings control	●	●
Seats – AMG sport seats	●	●
Seats – heated front seats	●	●
Seats – four-way lumbar support	●	●
Seats – front, with electrical height and back adjustment	●	●
Seats – rear, split folding 40:20:40	●	●
Seats – Seat Comfort package for driver and front passenger seat. Electro-pneumatic four-way lumbar support and manual seat cushion depth adjustment (6 cm)	●	●
Stowage – front centre armrest with stowage compartment	●	●
Stowage – illuminated glove compartment	●	●
Seat belts – red	●	●
Stowage package including luggage net in boot and folding box under luggage compartment floor	●	●
Sun visors with illuminated vanity mirrors	●	●
THERMATIC automatic climate control with two climate zones	●	–
THERMOTRONIC automatic climate control with four climate zones	–	●

## Paint, Trim and Upholstery

	C 43 4MATIC Premium Plus	C 43 4MATIC Premium
Paint – non-metallic	●	●
Dashboard in ARTICO man-made leather with contrast stitching	●	●
Trim – anthracite linestructure lime wood trim	●	–
Trim – high-gloss black with carbon fibre trim	–	●
Upholstery – leather	●	●

## Safety and Assistance Systems

Active bonnet – pedestrian safety measure which detects an impact and raises bonnet	●	●
Active Brake Assist Plus <sup>1</sup>	●	●
Active Parking Assist including PARKTRONIC	●	●
Adaptive Brake Assist <sup>1</sup> with HOLD function and brake-drying function	●	●
Adaptive brake lamps	●	●
Anti-lock braking system (ABS)	●	●
ATTENTION ASSIST – can help alert to prevent long journey fatigue	●	●
Automatic child seat recognition sensor	●	●
Central locking with interior switch, automatic locking and crash sensor with emergency opening function	●	●
Childproof locks – manually operated for rear doors and electrically operated for rear power windows	●	●
Dual-stage airbags – driver and front passenger; front centre airbag between driver and front passenger seats; sidebags in front seats; driver kneebag; pelvis bag and windowbags for driver, front passenger and rear passengers	●	●
Electric parking brake	●	●
Electronic Stability Programme (ESP®)	●	●

<sup>1</sup>Our driver assistance and safety systems are aids and do not relieve you of your responsibility as the driver. Please take note of the information in the Owner's Manual and the system limits which are described therein

[Book a test drive](#)[Buy your C-Class](#)[Find a Retailer](#)

# Standard equipment Mercedes-AMG

● Standard    – Not available

## Safety and Assistance Systems (continued)

	C 43 4MATIC Premium Plus	C 43 4MATIC Premium
First-aid kit and warning triangle	●	●
ISOFIX child seat attachment points with top tether in rear	●	●
Parking package with 360° camera – the Active Parking Assist with PARKTRONIC and 360° camera detects free parking spaces and marked parking spaces whilst driving past. After selecting a parking space parking is effortless thanks to dynamic visualisation and audible feedback – or have the vehicle manoeuvre into the space with assisted parking	●	●
Petrol Particulate Filter (PPF) – all petrol engines	●	●
Remote boot release	●	●
Service indicator ASSYST	●	●
SPEEDTRONIC cruise control with variable speed limiter	●	●
Status display for rear seat belts in instrument cluster	●	●
TIREFIT with tyre inflation compressor	●	●
Tyre pressure monitoring system	●	●
URBAN GUARD vehicle protection (Thatcham Category 1) consisting of a break-in and anti-theft alarm system (ATA), interior monitoring and tow-away protection	●	●
Windscreen wipers with rain sensor	●	●

## Communications and In-Car Entertainment

	C 43 4MATIC Premium Plus	C 43 4MATIC Premium
11.9-inch high-resolution multimedia colour display	●	●
12.3-inch digital instrument cluster display	●	●
Burmester® 3D surround sound system	–	●
DAB digital radio tuner	●	●
Head-up display – projects key driver information such as vehicle speed, navigation tips and speed limits as virtual colour image (21 x 7 cm) into the driver's field of vision. Special light sensors adjust the brightness of the head-up display to ensure good visibility without distraction. The display is easily height-adjustable	–	●
MBUX augmented reality for navigation	●	●
MBUX extended functions	●	●
MBUX voice control activated by keywords “Hey Mercedes”	●	●
MBUX Navigation Premium	●	●
Mercedes me connect (Vehicle Set-up and Vehicle Monitoring) – onboard use of remote and location services, e.g. geographic vehicle monitoring, vehicle location, remote door locking and unlocking, remote interrogation of vehicle status. Remote Online subscription services are limited to three years from initial registration, and can be extended at additional cost	●	●
Pre-installation for digital key transfer	●	●
Radio aerial integrated into rear window	●	●
Smartphone integration <sup>1</sup>	●	●
Wireless charging <sup>1</sup> surface integrated into quick stowage tray in front of centre console. Quick establishment of connection between multimedia system and mobile phone via Near Field Communication (NFC)	●	●

<sup>1</sup>Compatible mobile phone required

# Genuine accessories

We've developed a range of accessories you can add to help personalise and enhance your C-Class.



## Stowage crate

The robust plastic stowage box creates organisation in the boot space, and provides a secure hold for items which are prone to tip over or slide around. The stowage crate can be divided into two sections using the enclosed rigid dividing panel. Capacity: 51 litres. (A0008140400)



## DUO plus child seat, with ISOFIX

Safe and secure: children between the ages of 9 months and 4 years (weight 9 to 18 kg) will enjoy travelling in the 'DUO plus' child seat from Mercedes-Benz. The seat offers optimum protection in the event of an accident. A quick change of position: sitting, reclining and sleeping positions are adjustable with one simple manoeuvre. (A0009704302)



## KIDFIX XP child seat, with ISOFIX

Support and safety for older children too: The KIDFIX XP child seat is suitable for children between the ages of 3.5 to 12 years (body weight of 15–36 kg). It is securely attached to the vehicle using ISOFIX. The front-facing seat can also be secured in place using the 3-point seat belt. (A0009704902)



## Coolbox

Be it cool drinks, a picnic or baby food: the thermoelectric refrigerator box cools upon request and is the perfect companion on any day out. Thanks to its extra thick insulation it can cool up to 5°C, but a max. of 20°C under the outside temperature. It fits perfectly into your Mercedes-Benz vehicle and holds 13 litres. (A0008205409)

All the above accessories are subject to availability and compatibility. Please ask your Mercedes-Benz Retailer for more information

Images shown are for illustration purposes only



#### Velour floor mats CLASSIC, set, 4-piece, All-Terrain – Estate only

Floor mats have to undergo rigorous testing before they are deemed worthy of the star logo. The mats are precision-tailored to your Mercedes-Benz. Can be clip-fastened to the floor of the vehicle to prevent slipping. Elegant, high-quality tufted velour mat with embroidered ALL-TERRAIN label. (A20668007029J74)



#### Velour floor mats CLASSIC, set, 4-piece – Saloon only

Floor mats have to undergo rigorous testing before they are deemed worthy of the star logo. The mats are precision-tailored to your Mercedes-Benz. Can be clip-fastened to the floor of the vehicle to prevent slipping. Elegant, high-quality tufted velour mats with embroidered Mercedes-Benz label. (A20668023059J74)



#### Reversible mat, precision fit – Estate only

This anti-slip mat by Mercedes-Benz protects the boot floor during loading and unloading. This mat is hard-wearing, made from 100% polyester and boasts dual use as it is double-sided. The rubberised and non-slip side minimises slipping of goods. The soft velour side protects the luggage-compartment floor against moisture and dirt. And if anything should go wrong, it is easy to clean with warm water. (A2066803404)



#### Rear spoiler, Carbon-Style – Saloon only

Discreet spoiler, fitted to the boot lid, subtly accentuating the rear contours. The rear spoiler in realistic Carbon-Style with individual, dynamic 3D-effect underlines the character of the vehicle. Fitted using double-sided adhesive tape. No entry in vehicle documents required. (A2067930200)

All the above accessories are subject to availability and compatibility. Please ask your Mercedes-Benz Retailer for more information

Images shown are for illustration purposes only

Design	Technology	Plug-in Hybrid	Model lines	Upholstery	Model prices	Mercedes-AMG	Mercedes-AMG prices	Mercedes-AMG upholstery	Personalisation	Standard equipment	Genuine accessories	Technical data	Additional information
--------	------------	----------------	-------------	------------	--------------	--------------	---------------------	-------------------------	-----------------	--------------------	---------------------	----------------	------------------------



[Book a test drive](#)[Buy your C-Class](#)[Find a Retailer](#)

# Technical data Saloon

- Standard

Model	C220 d	C300 d	C200	C300	C300 e
<b>Engine</b>					
Fuel delivery	Diesel	Diesel	Petrol	Petrol	Petrol
Total displacement	cc 1,993	1,993	1,496	1,999	1,999
Arrangement/cylinders/valves	in-line/4/16	in-line/4/16	in-line/4/16	in-line/4/16	in-line/4/16
Power <sup>1</sup>	hp (kW) at rpm				
Combustion engine	200 (147)/4,200	265 (195)/4,200	204 (150)/5,800–6,100	258 (190)/5,800	204 (150)/6,100
Electric motor	-	-	-	-	129 (95)
System output	-	-	-	-	313 (230)
Torque <sup>1</sup>	Nm at rpm				
Combustion engine	440/1,800–2,800	550/1,800–2,200	300/1,800–4,000	400/2,000–3,200	320/2,000–4,000
Electric motor	-	-	-	-	440
System output	-	-	-	-	550
Compression ratio	15.5:1	15.5:1	10.5:1	10.0:1	10.0:1
Equivalent All-Electric Range (EAER) <sup>2</sup>	mi -	-	-	-	68
Battery type (usable)	kWh -	-	-	-	Lithium-ion/25.4
Range power consumption, combined <sup>2,3</sup>	kWh/100 km -	-	-	-	tba
AC charging time, 10–100% <sup>4,5</sup>	-	-	-	-	2 hrs
Capacity on-board charger	kW -	-	-	-	AC 11 kW
Emissions standard	EURO 6D-ISC-FCM	EURO 6D-ISC-FCM	EURO 6D-ISC-FCM	EURO 6D-ISC-FCM	EURO 6D-ISC-FCM

Transmission	C220 d	C300 d	C200	C300	C300 e
9G-TRONIC PLUS 9-speed automatic	●	●	●	●	●

<sup>1</sup>Figures according to Directive 80/1269/EEC in the currently applicable version    <sup>2</sup>The indicated values were determined according to the prescribed measurement method - Worldwide Harmonised Light Vehicle Test Procedure (WLTP). Figures shown may include options which are not available in the UK. For Plug-in Hybrid Electric Vehicle (PHEV) figures determined with the battery fully charged, using a combination of both battery power and fuel. These models require mains electricity for charging    <sup>3</sup>The certified electrical consumption is generally determined at maximum AC charging capacity using a Mode 3 cable. It is therefore recommended that vehicles with a HV battery preferably be charged at a wallbox or an AC charging station with a Mode 3 cable in order to achieve shorter charging times and improved charging efficiency    <sup>4</sup>Specified voltage and current values refer to network infrastructure and can be limited by the vehicle. Times are from 10-100% charge using a wallbox (three-phase) or standard socket (single-phase)    <sup>5</sup>If you are planning to charge your Mercedes-Benz plug-in electric vehicle using a 3-pin domestic plug socket you must get a qualified electrician to inspect and sign off the socket to confirm it is safe and suitable to charge your vehicle. Do not use an electric vehicle 3-pin charge cable with an extension cord

[Book a test drive](#)[Buy your C-Class](#)[Find a Retailer](#)

# Technical data Saloon

Model		C220 d	C300 d	C200	C300	C300 e
<b>Performance</b>						
Acceleration 0-62 mph	sec	7.3	5.7	7.3	6.0	6.1
Top speed	mph	152	155	153	155	152

<b>Weights and capacities</b>						
Kerb weight <sup>6</sup>	kg	1,755	1,775	1,650	1,675	2,080
Perm. Gross Vehicle Weight	kg	2,380	2,380	2,265	2,280	2,615
Boot capacity - seats up	l	455	455	455	455	315
Towing capacity - unbraked/braked	kg	750/1,800	750/1,800	750/1,800	750/1,800	750/1,800
Fuel tank capacity/of which reserve	l	66/7	66/7	66/7	66/7	50/7
Turning circle	m	11.07	11.07	11.07	11.07	11.07

<b>Fuel consumption<sup>7,8,9</sup></b>						
Combined (consumption dependent on chosen optional equipment)	l/100 km	4.8-4.6	5.3-5.1	6.8-6.4	7.0-6.7	0.6
	mpg	58.9-61.4	53.3-55.4	41.5-44.1	40.4-42.2	470.8

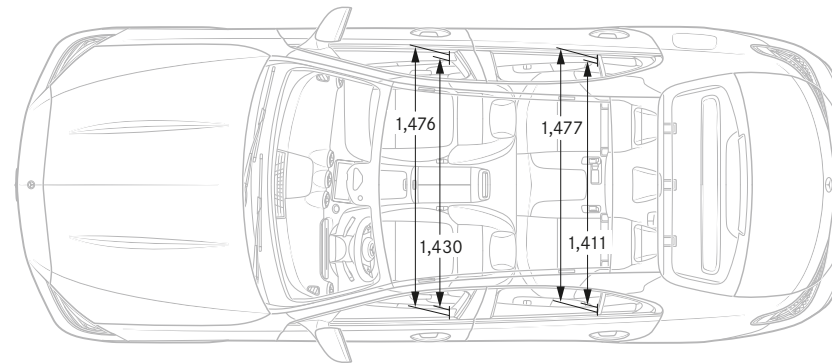
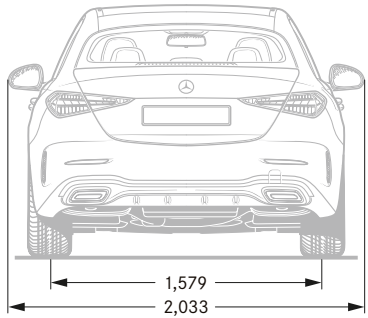
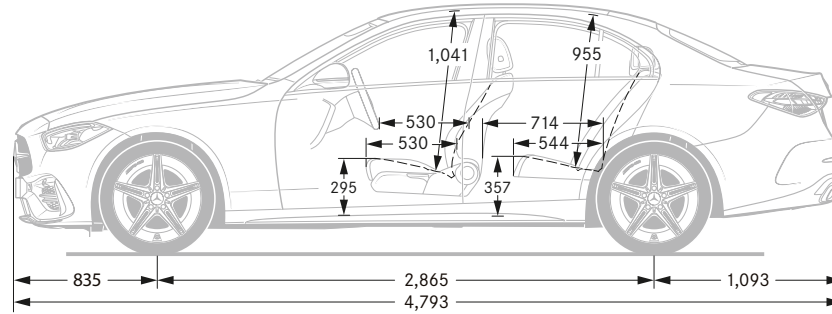
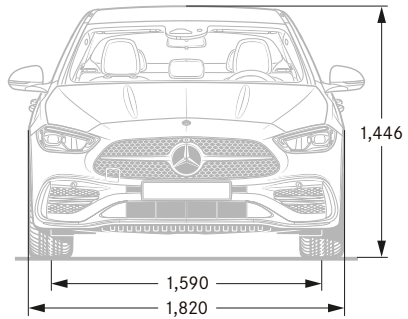
<b>Insurance</b>						
Group rating		tba	tba	tba	tba	tba

Insurance ratings may vary depending on model line and specification. Please refer to <http://www.thatcham.org/abigrouprating/> for further details

<sup>6</sup>Mass of the vehicle in running order with at least 90% full fuel tank, plus the mass of the driver (estimated by law at 75 kg), fuel and fluids, equipped with the standard equipment as specified by the manufacturer as well as, where applicable, the mass of the body, cab, trailer coupling and spare wheel(s) as well as tools. Optional extras, additional equipment and accessories can influence the weight, residual payload, rolling resistance, aerodynamics, etc., and therefore also affect the consumption/CO<sub>2</sub> values <sup>7</sup>All figures are based on a standard specification with the smallest tyre size <sup>8</sup>The choice of wheels and transmission may affect CO<sub>2</sub> emissions and corresponding Road Fund Licence <sup>9</sup>The indicated values were determined according to the prescribed measurement method - Worldwide Harmonised Light Vehicle Test Procedure (WLTP). Figures shown may include options which are not available in the UK

[Book a test drive](#)[Buy your C-Class](#)[Find a Retailer](#)

## Sport/AMG Line/AMG Line Premium/AMG Line Premium Plus



All measurements in millimetres. The dimensions shown are mean values and apply to standard-specification, unladen vehicles

Design	Technology	Plug-in Hybrid	Model lines	Upholstery	Model prices	Mercedes-AMG	Mercedes-AMG prices	Mercedes-AMG upholstery	Personalisation	Standard equipment	Genuine accessories	Technical data	Additional information
--------	------------	----------------	-------------	------------	--------------	--------------	---------------------	-------------------------	-----------------	--------------------	---------------------	----------------	------------------------

[Book a test drive](#)[Buy your C-Class](#)[Find a Retailer](#)

# Technical data Estate

- Standard

Model	C220 d	C300 d	C200	C300	C300 e
<b>Engine</b>					
Fuel delivery	Diesel	Diesel	Petrol	Petrol	Petrol
Total displacement	cc 1,993	1,993	1,496	1,999	1,999
Arrangement/cylinders/valves	in-line/4/16	in-line/4/16	in-line/4/16	in-line/4/16	in-line/4/16
Power <sup>1</sup>	hp (kW) at rpm				
Combustion engine	200 (147)/4,200	265 (195)/4,200	204 (150)/5,800–6,100	258 (190)/5,800	204 (150)/6,100
Electric motor	-	-	-	-	180 (95)
System output	-	-	-	-	313 (230)
Torque <sup>1</sup>	Nm at rpm				
Combustion engine	440/1,800–2,800	550/1,800–2,200	300/1,800–4,000	400/2,000–3,200	320/2,000–4,000
Electric motor	-	-	-	-	440
System output	-	-	-	-	550
Compression ratio	15.5:1	15.5:1	10.5:1	10.0:1	10.0:1
Equivalent All-Electric Range (EAER) <sup>2</sup>	mi -	-	-	-	65
Battery type (usable)	kWh -	-	-	-	Lithium-ion/25.4
Range power consumption, combined <sup>2,3</sup>	kWh/100 km -	-	-	-	220
AC charging time, 10–100% <sup>4,5</sup>	-	-	-	-	2 hrs
Capacity on-board charger	kW -	-	-	-	AC 11 kW
Emissions standard	EURO 6D-ISC-FCM	EURO 6D-ISC-FCM	EURO 6D-ISC-FCM	EURO 6D-ISC-FCM	EURO 6D-ISC-FCM

Transmission	C220 d	C300 d	C200	C300	C300 e
9G-TRONIC PLUS 9-speed automatic	●	●	●	●	●

<sup>1</sup>Figures according to Directive 80/1269/EEC in the currently applicable version    <sup>2</sup>The indicated values were determined according to the prescribed measurement method - Worldwide Harmonised Light Vehicle Test Procedure (WLTP). Figures shown may include options which are not available in the UK. For Plug-in Hybrid Electric Vehicle (PHEV) figures determined with the battery fully charged, using a combination of both battery power and fuel. These models require mains electricity for charging    <sup>3</sup>The certified electrical consumption is generally determined at maximum AC charging capacity using a Mode 3 cable. It is therefore recommended that vehicles with a HV battery preferably be charged at a wallbox or an AC charging station with a Mode 3 cable in order to achieve shorter charging times and improved charging efficiency    <sup>4</sup>Specified voltage and current values refer to network infrastructure and can be limited by the vehicle. Times are from 10-100% charge using a wallbox (three-phase) or standard socket (single-phase)    <sup>5</sup>If you are planning to charge your Mercedes-Benz plug-in electric vehicle using a 3-pin domestic plug socket you must get a qualified electrician to inspect and sign off the socket to confirm it is safe and suitable to charge your vehicle. Do not use an electric vehicle 3-pin charge cable with an extension cord

[Book a test drive](#)[Buy your C-Class](#)[Find a Retailer](#)

# Technical data Estate

Model		C220 d	C300 d	C200	C300	C300 e
<b>Performance</b>						
Acceleration 0–62 mph	sec	7.4	5.8	7.5	6.0	6.2
Top speed	mph	150	155	149	155	149

<b>Weights and capacities</b>						
Kerb weight <sup>6</sup>	kg	1,815	1,835	1,710	1,675	2,290
Perm. Gross Vehicle Weight	kg	2,400	2,400	2,325	2,280	2,655
Boot capacity – seats up/seats down	l	490/1,510	490/1,510	490/1,510	455	360
Towing capacity – unbraked/braked	kg	750/1,800	750/1,800	750/1,800	750/1,800	750/1,800
Fuel tank capacity/of which reserve	l	66/7	66/7	66/7	66/7	50/7
Turning circle	m	11.07	11.07	11.07	11.07	11.07

<b>Fuel consumption<sup>7,8,9</sup></b>						
Combined (consumption dependent on chosen optional equipment)	l/100 km	5.0–4.7	5.4–5.2	7.0–6.7	7.2–6.9	0.7
	mpg	56.5–60.1	52.3–54.3	40.4–42.2	39.2–40.9	403.6

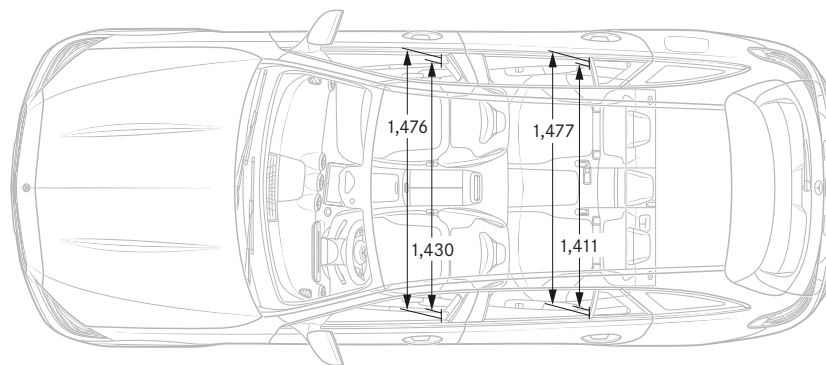
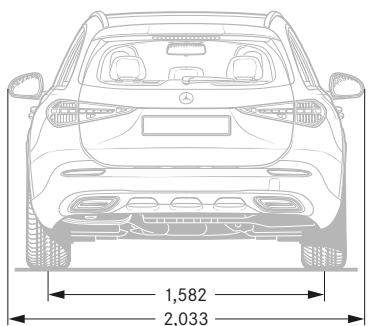
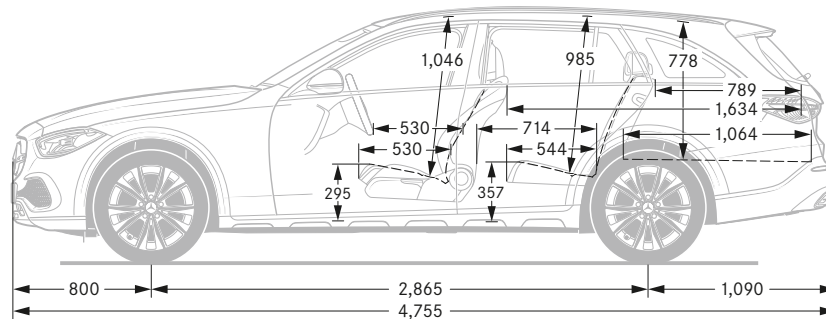
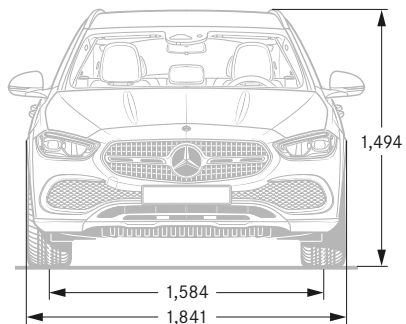
<b>Insurance</b>						
Group rating		tba	tba	tba	tba	tba

Insurance ratings may vary depending on model line and specification. Please refer to <http://www.thatcham.org/abigrouprating/> for further details

<sup>6</sup>Mass of the vehicle in running order with at least 90% full fuel tank, plus the mass of the driver (estimated by law at 75 kg), fuel and fluids, equipped with the standard equipment as specified by the manufacturer as well as, where applicable, the mass of the body, cab, trailer coupling and spare wheel(s) as well as tools. Optional extras, additional equipment and accessories can influence the weight, residual payload, rolling resistance, aerodynamics, etc., and therefore also affect the consumption/CO<sub>2</sub> values <sup>7</sup>All figures are based on a standard specification with the smallest tyre size <sup>8</sup>The choice of wheels and transmission may affect CO<sub>2</sub> emissions and corresponding Road Fund Licence <sup>9</sup>The indicated values were determined according to the prescribed measurement method - Worldwide Harmonised Light Vehicle Test Procedure (WLTP). Figures shown may include options which are not available in the UK

[Book a test drive](#)[Buy your C-Class](#)[Find a Retailer](#)

## Sport/AMG Line/AMG Line Premium/AMG Line Premium Plus



All measurements in millimetres. The dimensions shown are mean values and apply to standard-specification, unladen vehicles

Design	Technology	Plug-in Hybrid	Model lines	Upholstery	Model prices	Mercedes-AMG	Mercedes-AMG prices	Mercedes-AMG upholstery	Personalisation	Standard equipment	Genuine accessories	Technical data	Additional information
--------	------------	----------------	-------------	------------	--------------	--------------	---------------------	-------------------------	-----------------	--------------------	---------------------	----------------	------------------------

[Book a test drive](#)[Buy your C-Class](#)[Find a Retailer](#)

# Technical data Mercedes-AMG – Saloon and Estate

- Standard

Model	Mercedes-AMG C 43 4MATIC – Saloon		Mercedes-AMG C 43 4MATIC – Estate	
<b>Engine</b>				
Fuel delivery		Petrol		Petrol
Total displacement	cc	1,991		1,991
Arrangement/cylinders/valves		in-line/4/16		in-line/4/16
Power <sup>1</sup>	hp (kW) at rpm	408 (300)/6,750		408 (300)/6,750
Torque <sup>1</sup>	Nm at rpm	500/5,000		500/5,000
Compression ratio		10.0:1		10.0:1
Emissions standard		EURO 6D-ISC-FCM		EURO 6D-ISC-FCM
<b>Transmission</b>				
9G-TRONIC PLUS 9-speed automatic		●		●
<b>Performance</b>				
Acceleration 0–62 mph	sec	4.6		4.7
Top speed	mph	155		155
<b>Weights and capacities</b>				
Kerb weight <sup>2</sup>	kg	1,840		1,885
Perm. Gross Vehicle Weight	kg	2,350		2,400
Boot capacity – seats up/seats down	l	455		490/1,510
Towing capacity – unbraked/braked	kg	750/1,800		750/1,800
Fuel tank capacity/of which reserve	l	66/7		66/7
Turning circle	m	11.98		11.98

<sup>1</sup>Figures according to Directive 80/1269/EEC in the currently applicable version    <sup>2</sup>Mass of the vehicle in running order with at least 90% full fuel tank, plus the mass of the driver (estimated by law at 75kg), fuel and fluids, equipped with the standard equipment as specified by the manufacturer as well as, where applicable, the mass of the body, cab, trailer coupling and spare wheel(s) as well as tools. Optional extras, additional equipment and accessories can influence the weight, residual payload, rolling resistance, aerodynamics, etc., and therefore also affect the consumption/CO<sub>2</sub> values

[Book a test drive](#)[Buy your C-Class](#)[Find a Retailer](#)

# Technical data Mercedes-AMG – Saloon and Estate

Model	Mercedes-AMG C43 4MATIC – Saloon		Mercedes-AMG C43 4MATIC – Estate	
<b>Fuel consumption<sup>3,4,5</sup></b>				
Combined (consumption dependent on chosen optional equipment)	l/100 km	9.0–8.9	9.1–9.0	
	mpg	31.4–31.7	31.0–31.4	

Insurance				
Group rating		tba		tba

Insurance ratings may vary depending on model line and specification. Please refer to <http://www.thatcham.org/abigrouprating/> for further details

<sup>3</sup>All figures are based on a standard specification with the smallest tyre size available in the UK

<sup>4</sup>The choice of wheels and transmission may affect CO<sub>2</sub> emissions and corresponding Road Fund Licence

<sup>5</sup>The indicated values were determined according to the prescribed measurement method – Worldwide Harmonised Light Vehicle Test Procedure (WLTP). Figures shown may include options which are not available in the UK





Book a test drive

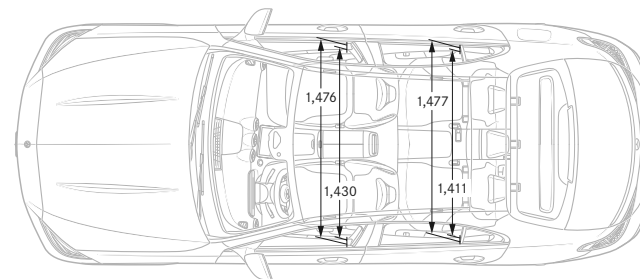
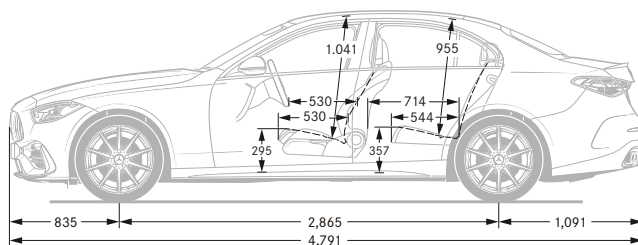
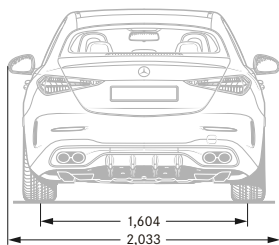
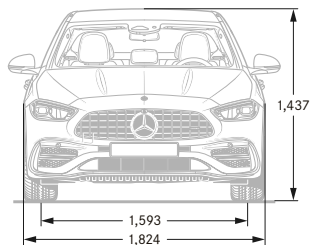


Buy your C-Class

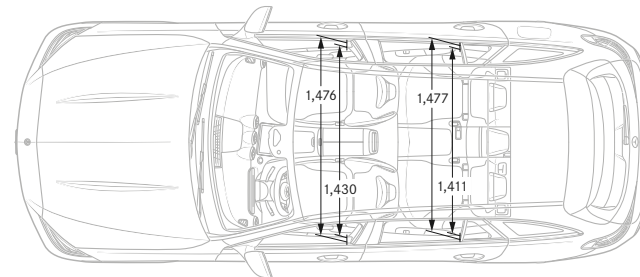
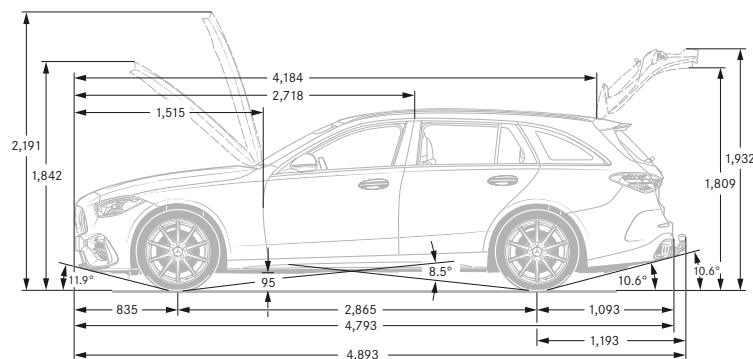
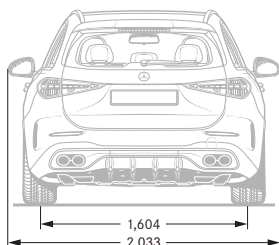
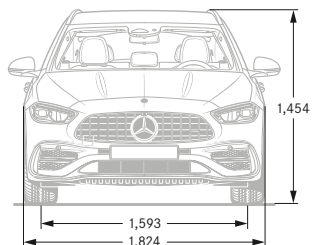


Find a Retailer

## Mercedes-AMG C 43 4MATIC – Saloon



## Mercedes-AMG C 43 4MATIC – Estate



All measurements in millimetres. The dimensions shown are mean values and apply to standard-specification, unladen vehicles

Design	Technology	Plug-in Hybrid	Model lines	Upholstery	Model prices	Mercedes-AMG	Mercedes-AMG prices	Mercedes-AMG upholstery	Personalisation	Standard equipment	Genuine accessories	Technical data	Additional information
--------	------------	----------------	-------------	------------	--------------	--------------	---------------------	-------------------------	-----------------	--------------------	---------------------	----------------	------------------------



# Road Fund Licence

All road vehicle registrations are subject to Vehicle Excise Duty (Road Fund Licence), which varies in accordance with the vehicle's CO<sub>2</sub> emissions. A first year rate for each taxation band will apply. The table below shows the bands (A-M) created by the DVLA and the corresponding Road Fund Licence. CO<sub>2</sub> emissions and the relevant Excise Duty are shown on the model pricing pages.

Band	CO <sub>2</sub> emissions (g/km)	First year rate petrol and RDE2 diesel (£)	First year rate all other diesel (£) <sup>1</sup>	First year rate alternative fuel (£)	Electric vehicles		Alternative fuel vehicles		Petrol/diesel vehicles	
					Standard rate (£)	Premium rate (£) <sup>2</sup>	Standard rate (£)	Premium rate (£) <sup>2</sup>	Standard rate (£)	Premium rate (£) <sup>2</sup>
A	0	0.00	0.00	0.00	0.00	0.00	0.00	0.00	0.00	0.00
B	1 to 50	10.00	25.00	0.00	0.00	0.00	155.00	510.00	165.00	520.00
C	51 to 75	25.00	120.00	15.00	0.00	0.00	155.00	510.00	165.00	520.00
D	76 to 90	120.00	150.00	110.00	0.00	0.00	155.00	510.00	165.00	520.00
E	91 to 100	150.00	170.00	140.00	0.00	0.00	155.00	510.00	165.00	520.00
F	101 to 110	170.00	190.00	160.00	0.00	0.00	155.00	510.00	165.00	520.00
G	111 to 130	190.00	230.00	180.00	0.00	0.00	155.00	510.00	165.00	520.00
H	131 to 150	230.00	585.00	220.00	0.00	0.00	155.00	510.00	165.00	520.00
I	151 to 170	585.00	945.00	575.00	0.00	0.00	155.00	510.00	165.00	520.00
J	171 to 190	945.00	1,420.00	935.00	0.00	0.00	155.00	510.00	165.00	520.00
K	191 to 225	1,420.00	2,015.00	1,410.00	0.00	0.00	155.00	510.00	165.00	520.00
L	226 to 255	2,015.00	2,365.00	2,005.00	0.00	0.00	155.00	510.00	165.00	520.00
M	over 255	2,365.00	2,365.00	2,355.00	0.00	0.00	155.00	510.00	165.00	520.00



Some of the model features, optional extras and colours shown may not be available, or may only be available in a different specification, or at a different price

<sup>1</sup>Applies to all Mercedes-Benz diesel models which do not comply with RDE (Real Driving Emissions) Step 2 Certified (Euro 6d)

<sup>2</sup>Premium rate only applicable to vehicles where the list price is over £40,000 including any factory-fitted options, standard UK delivery charge and VAT



# Services and insurance

## Mercedes-Benz ServiceCare

We believe that servicing costs should be as flexible and affordable as possible for your C-Class, which is why we offer ServiceCare, an easy way to budget for all your servicing costs. It spreads your bills into manageable payments based on whether you have a new or used Mercedes-Benz. With ServiceCare we guarantee the price of parts and labour for up to four services and safeguard against any further inflation. It also covers the cost of all recommended service items including brake fluid, spark plugs, air filters, fuel filters and screen wash. You can choose either to add your servicing costs into your monthly spend or pay the full amount in a one-off payment, giving you peace of mind that they are taken care of for the period of the plan.

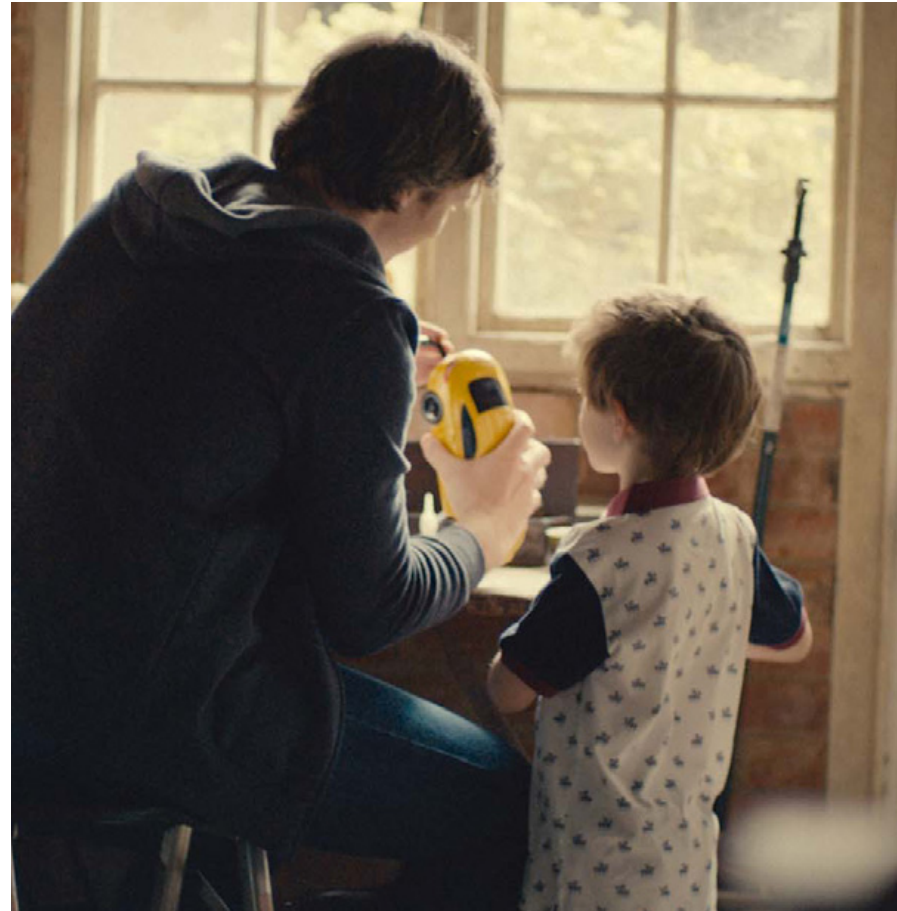
[› Click here for more information](#)

## Warranty and breakdown cover

Every Mercedes-Benz comes with a three-year unlimited mileage warranty against manufacturing or material defects<sup>1</sup> and up to 30 years warranty against perforation due to corrosion from the inside out.<sup>2</sup> What's more, it's also covered by Mercedes-Benz Roadside Assistance – a unique package comprising up to 30 years pan-European breakdown assistance.<sup>2</sup>

## Motor Insurance

We know that once you have chosen your Mercedes-Benz you can't wait to drive it – that's why we created First Cover<sup>3</sup>. It gives you 7 days' free comprehensive Motor Insurance when you buy a new or used vehicle from a Mercedes-Benz Retailer. We will also send you a quote for annual cover, so you can enjoy the same peace of mind all year round.

[› Apply for First Cover](#)

<sup>1</sup>Applies to vehicles sold by Mercedes-Benz in the UK to its franchised Retailers    <sup>2</sup>Subject to full Terms and Conditions, dependent on date of registration, available upon request  
<sup>3</sup>Terms and Conditions apply. We are an independent intermediary dealing with selected insurers in respect of annual insurance

<a href="#">Design</a>	<a href="#">Technology</a>	<a href="#">Plug-in Hybrid</a>	<a href="#">Model lines</a>	<a href="#">Upholstery</a>	<a href="#">Model prices</a>	<a href="#">Mercedes-AMG</a>	<a href="#">Mercedes-AMG prices</a>	<a href="#">Mercedes-AMG upholstery</a>	<a href="#">Personalisation</a>	<a href="#">Standard equipment</a>	<a href="#">Genuine accessories</a>	<a href="#">Technical data</a>	<a href="#">Additional information</a>
------------------------	----------------------------	--------------------------------	-----------------------------	----------------------------	------------------------------	------------------------------	-------------------------------------	---	---------------------------------	------------------------------------	-------------------------------------	--------------------------------	--



Effective from June 2022 Production. Information correct at time of publication 09.06.2022.  
Prices and specifications are subject to change without prior notice.  
MBWS206PL/0722 MY803

