

Mercedes-Benz

EQS Saloon Facelift

Model Year 807

From June 2026 production





Model Overview



Colours



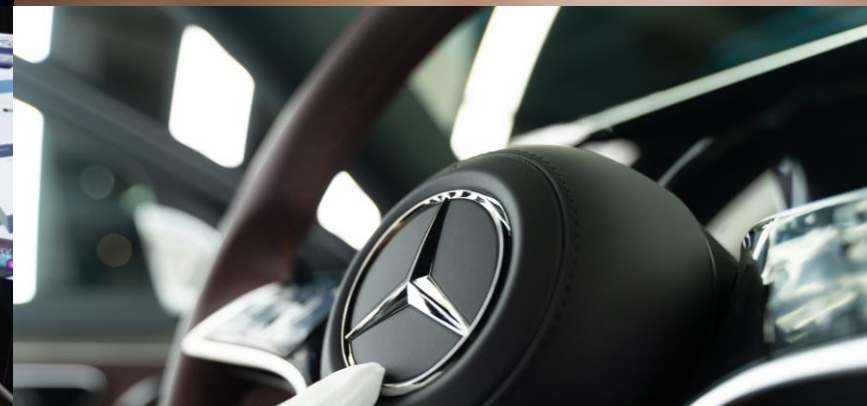
Upholsteries & Trim



Wheels



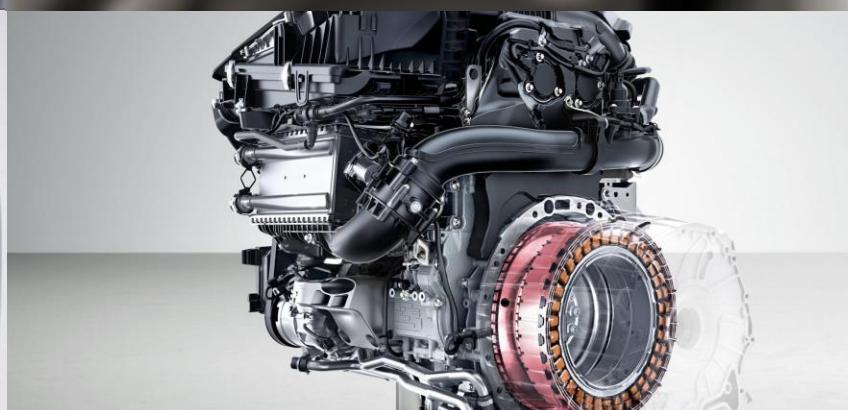
Optional Equipment



Pricing



Standard Equipment



Technical Data



Further Information



Digital Extras



Services & Insurance



Roadside Assistance



Home Charging - Ohme



Home Charging - Pod



MB.CHARGE Public



Online Showroom



Configurator



Genuine Accessories

Model Overview



Premium



Premium Plus

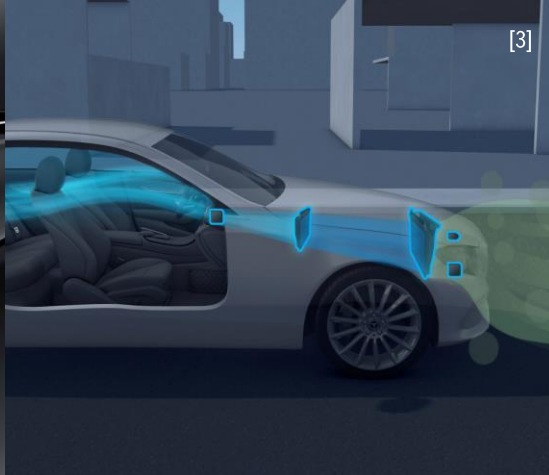


Premium Plus Executive



Premium





Exterior Highlights

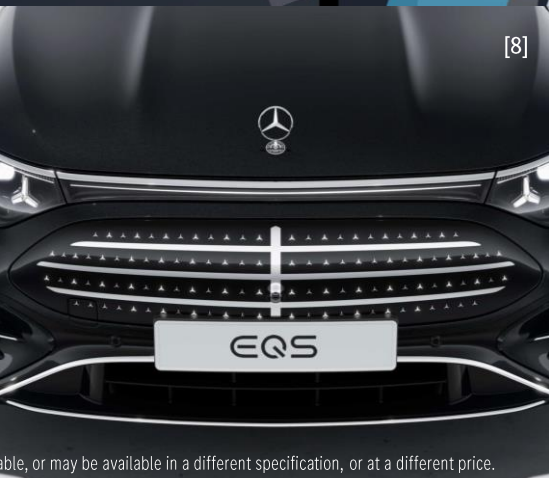
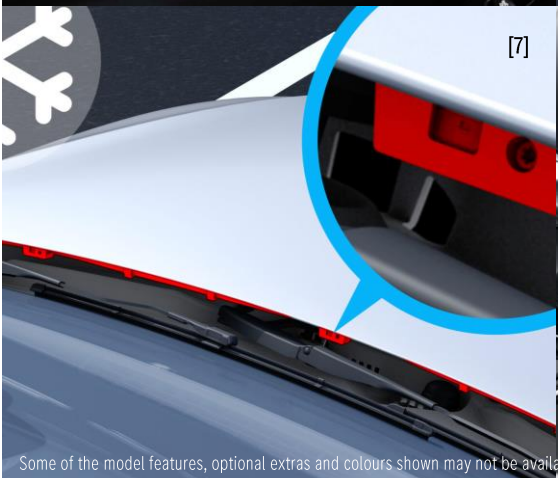
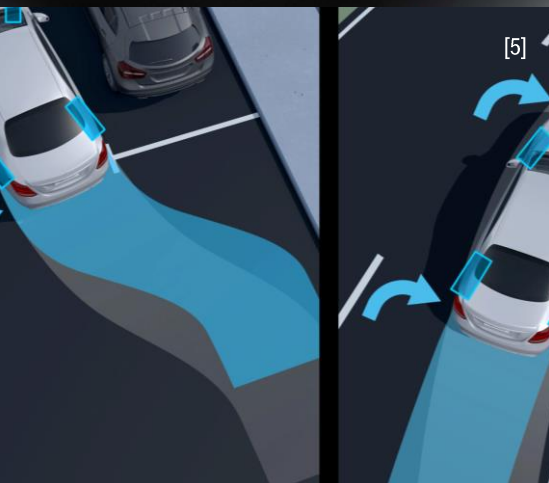
- 20" AMG 5-spoke light-alloy wheels painted in black with high-sheen finish [1]
- DIGITAL LIGHT with Adaptive High beam Assist Plus [2]
- AIRMATIC with intelligent damper control and Digital
- Rear axle steering up to 10 degrees [5]
- Illuminated radiator grille with chrome applications and upright Mercedes star mounted on the front bonnet [8]
- AMG Line body styling

Interior Highlights

- Electric Art interior - Comfort seats, Velour floor mats, Multifunction steering wheel in nappa leather
- KEYLESS-GO with flush-fitting door handles
- ENERGIZING AIR CONTROL Plus [3]
- Heated front and rear seats [4]
- Memory seat package - memory function for seats, steering column, mirrors with 3 memory positions
- Active ambient lighting, including visualisation of music, driver assistance systems and other vehicle functions
- Heated windscreen washer system [7]

Technology Highlights

- MBUX Hyperscreen - 3 displays merge under a continuous glass surface [9]
- Wireless charging front and rear [6]
- Smartphone integration¹ via Android Auto™ or Apply CarPlay®
- Standard sound system with 10 speakers
- MB.DRIVE PARKING ASSIST 360
- PRE-SAFE - reventive occupant protection, including PRE-SAFE® Sound, reversible belt tensioning and closing function for the side windows





Premium Plus

Some of the model features, optional extras and colours shown may not be available, or may be available in a different specification, or at a different price. Option shown: Obsidian Black Metallic

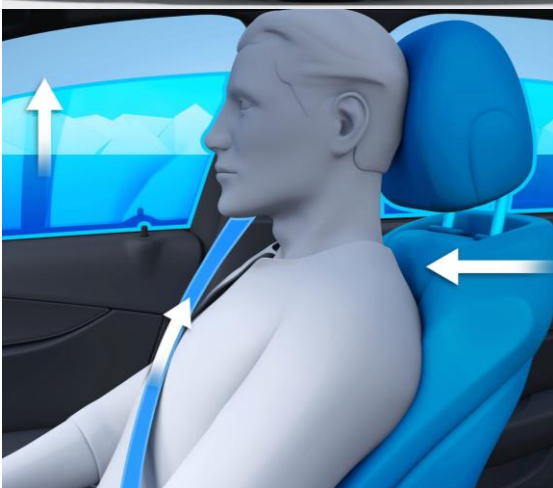


Some of the model features, optional extras and colours shown may not be available, or may be available in a different specification, or at a different price. Option shown: Nappa leather black / space grey



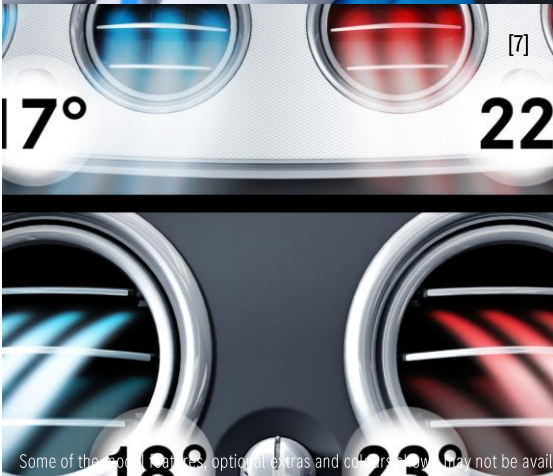
Exterior Highlights

- 21" AMG light-alloy wheels in multi-spoke design painted black with high-shine finish [1]



Interior Highlights

- Climatized front seats - 3-stage seat ventilation and heating for a pleasant seat climate [2]
- Seat heating Plus for driver and front passenger seats [3]
- THERMOTRONIC automatic climate control [7]
- Multicontour Seat Package with massage function pro in front [8]
- Heated seat belts - front [9]



Technology Highlights

- Burmester® 3D surround sound system - 17 speakers and 4 excitors, 730-watt system output and Dolby Atmos® [5]
- MBUX augmented navigation head-up display [6]



Premium Plus
Executive



Some of the model features, optional extras and colours shown may not be available, or may be available in a different specification, or at a different price. Option shown: Nappa leather black / space grey



[1]



[2]



[3]

Exterior Highlights

- GUARD 360 ° break-in resistant heat- and noise-insulated laminated safety glass [1]

Interior Highlights

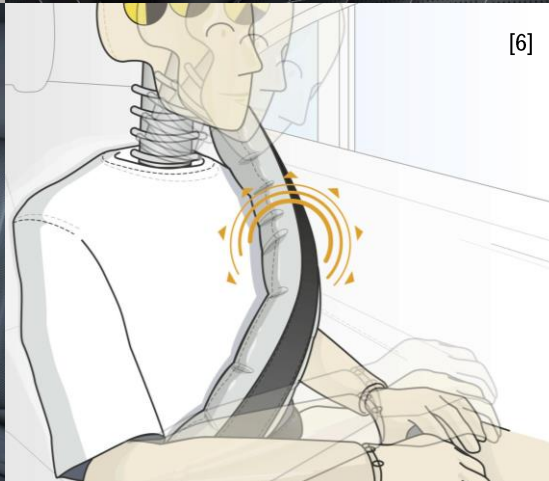
- Climatized rear seats - 3-stage seat ventilation and heating for a pleasant seat climate [2]
- MBUX remote control in the rear [3]
- Adaptive rear compartment lighting [5]
- Beltpack [6]
- PRE-SAFE® Impulse Side - prepare the occupants for a side impact and reduce the risk of injury. Like a bodyguard, it nudges the driver or front passenger away from the danger zone towards the centre of the vehicle. [7]



GUARD 360 PROTECT



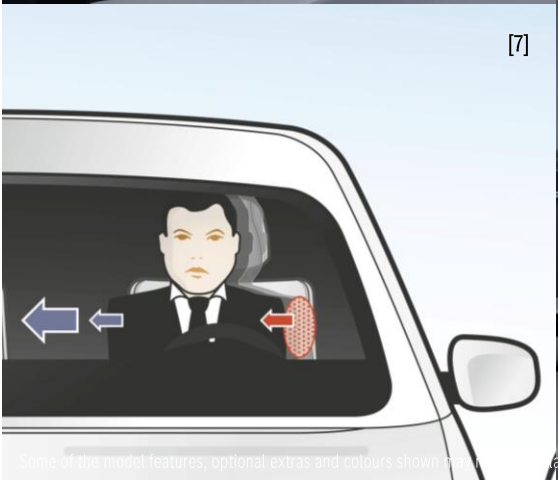
[5]



[6]

Technology Highlights

- MBUX augmented reality Head-up Display[8]



[7]



[8]



Personalisation



Obsidian Black metallic
[197] - Standard



Nautical Blue metallic
[595] - No-cost option



High-Tech Silver metallic
[922] - No-cost option



Graphite Grey metallic
[831] - No-cost option



Sodalite Blue metallic
[842] - No-cost option



Velvet Brown metallic
[771] - No-cost option



Warm Grey non-metallic
[715] - No-cost option

Personalisation



Manufaktur
Patagonia Red metallic
[993] - £1,000



Manufaktur
Opalite White Bright metallic
[885] - £1,000



Manufaktur
Graphite Grey magno
[818] - £5,000



Personalisation



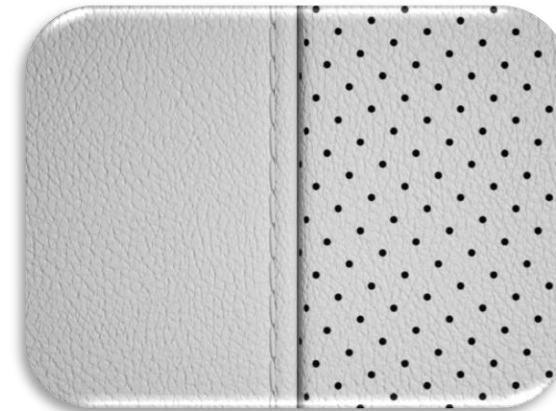
Leather black / space grey [201A]

Premium	<input checked="" type="checkbox"/>
Premium Plus	-
Premium Plus Executive	-



Leather macchiato beige / space grey [205A]

Premium	<input type="checkbox"/>
Premium Plus	-
Premium Plus Executive	-



Leather neva grey / balao brown [209A]

Premium	<input type="checkbox"/>
Premium Plus	-
Premium Plus Executive	-



Leather black / balao brown [211A]

Premium	<input type="checkbox"/>
Premium Plus	-
Premium Plus Executive	-



Leather black / biscay blue [221A]

Premium	<input type="checkbox"/>
Premium Plus	-
Premium Plus Executive	-

Personalisation



Nappa leather black / space grey [801A]

Premium	-
Premium Plus	✓
Premium Plus Executive	✓



Nappa leather macchiato beige / space grey [805A]

Premium	-
Premium Plus	○
Premium Plus Executive	○



Nappa leather black / balao brown [811A]

Premium	-
Premium Plus	○
Premium Plus Executive	○



Nappa leather black / biscay blue [821A]

Premium	-
Premium Plus	○
Premium Plus Executive	○



Exclusive Nappa leather Package [P87]

The Exclusive Nappa Leather Package offers a first-class ambience for your interior. The captivating combination of macchiato beige comfort seats, space grey features, and laurel embroidery with rosé gold details creates an exciting and luxurious atmosphere.

- Comfort seats with contour lighting and chrome trim on the seat backrests
- Nappa leather upholstery in macchiato beige / space grey with a specific seat upholstery layout
- Delicate laurel embroidery in the front and rear door centre panels
- Upper instrument panel and beltlines in space grey nappa look with topstitching in rosé gold
- Centre console and door armrests in macchiato beige nappa leather
- Roof liner in macchiato beige fabric
- Illuminated designer seat belt buckles in the front and rear
- High-pile floor mats in macchiato beige with topstitching

Optional equipment may change the CO₂ value, please check your desired specification on the configurator.

[505A] Exclusive nappa leather macchiato beige / space grey

[525A] In conjunction with DR1

Premium	–
Premium Plus	•
Premium Plus Executive	•

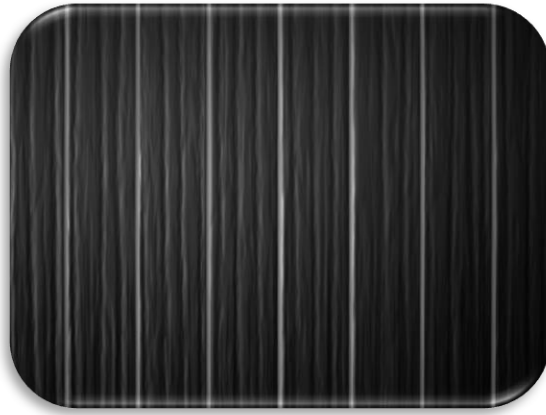
✓ indicates standard equipment, ○ indicates optional at no extra cost, – indicates not available. Price indicates optional at the cost shown.¹ 100% of the seat upholstery is pure leather. Price shown inclusive of VAT.

Personalisation



Anthracite linestructure lime wood trim [H08]

Premium	✓
Premium Plus	✓
Premium Plus Executive	✓



Anthracite open-pore fine-line poplar wood trim [43H] - £750

Premium	●
Premium Plus	●
Premium Plus Executive	●



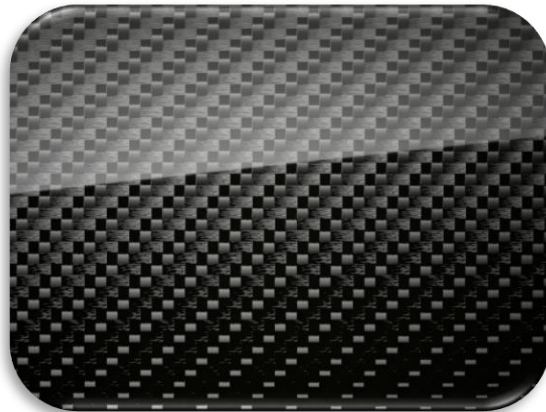
Brown open-pore walnut wood trim [H12] - £300

Premium	●
Premium Plus	●
Premium Plus Executive	●



Ship's deck open-pore walnut wood trim [H39] - £2,820

Premium	●
Premium Plus	●
Premium Plus Executive	●



AMG carbon-fibre trim element [H73] - £1,300

Premium	●
Premium Plus	●
Premium Plus Executive	●

✓ indicates standard equipment, ○ indicates optional at no extra cost, - indicates not available, ● indicates a cost option. Price indicates optional at the cost shown . Price shown inclusive of VAT. .

Personalisation



20" AMG 5-spoke light-alloy wheels painted in black with high-sheen finish [RRP]

Premium	<input checked="" type="checkbox"/>
Premium Plus	<input type="checkbox"/>
Premium Plus Executive	<input type="checkbox"/>



20" AMG light-alloy wheels in 5-spoke design with full-cover bicolour aero trim in black and silver [RVT]

AMG Line Premium	<input type="checkbox"/>
AMG Line Premium Plus	<input type="checkbox"/>
AMG Line Premium Plus Executive	<input type="checkbox"/>



21" AMG light-alloy wheels in multi-spoke design painted black with high-sheen finish [RWQ]

AMG Line Premium	£835
AMG Line Premium Plus	<input checked="" type="checkbox"/>
AMG Line Premium Plus Executive	<input checked="" type="checkbox"/>



21" AMG light-alloy wheels in cross-spoke design painted black with high-sheen rim flange [RQW]

AMG Line Premium	£1,000
AMG Line Premium Plus	<input type="checkbox"/>
AMG Line Premium Plus Executive	<input type="checkbox"/>



22" AMG light-alloy wheels in multi-spoke design painted black with high-sheen finish [RPF]

AMG Line Premium	£2,245
AMG Line Premium Plus	£1,150
AMG Line Premium Plus Executive	£1,150

✓ indicates standard equipment, ○ indicates optional at no extra cost, - indicates not available, ● indicates a cost option. Price indicates optional at the cost shown. Price shown inclusive of VAT.



Rear Comfort Package Plus [DR1]

£4,500

The Rear Comfort Package Plus enhances the comfort of the rear cabin. The package consists of:

- Multicontour rear seats
- Seat heating Plus in the rear
- Headroom and shoulder heating in the rear
- Seat on front passenger side electrically adjustable from the rear
- Executive seats with an electrically adjustable backrest angle of up to 38° degrees
- Luxury head restraints with head restraint cushions
- 2 scatter cushions
- Designer seat belt buckles in the front and rear
- Seat cushion depth extension by 50 mm
- Comfort doors at the front
- Comfort doors in the rear
- Exit warning function

Transform your rear into a first-class lounge with multicontour seats in a luxurious design, complemented by designer seat belt buckles, seat heating Plus, and headroom heating ensuring increased well-being on every journey. Adding to this VIP experience, electrically operated comfort doors at the front and rear open and close automatically at the touch of a button, holding the door open like a chauffeur and gently pulling it back into the lock almost silently.

Premium	–
Premium Plus	–
Premium Plus Executive	•

✓ indicates standard equipment, ○ indicates optional at no extra cost, – indicates not available, • indicates a cost option. Price indicates optional at the cost shown. Price shown inclusive of VAT.



MBUX High-End Rear Seat Entertainment System [854]

£3,500

Only in conjunction with DR1 package

The MBUX High-End Rear Seat Entertainment Package consists of:

- Two permanently integrated, high-resolution 13.1-inch displays with two wireless headphones
 - Multi-touch operation
 - Sound output from vehicle speakers or headphones
 - 384 GB internal memory
 - integrated camera on both displays
- Access to vehicle functions while driving
 - MBUX multimedia system, including TV streaming via the Internet, radio, media, web browser and app store
 - Telephony
 - Trip information, including navigation display
 - Digital Extras*
- Various connection options
 - HDMI
 - Headphone jack (3.5 mm)
 - Bluetooth Audio
 - USB

Premium	-
Premium Plus	-
Premium Plus Executive	•

✓ indicates standard equipment, ○ indicates optional at no extra cost, - indicates not available, • indicates a cost option. Price indicates optional at the cost shown. Price shown inclusive of VAT.

Some of the model features, optional extras and colours shown may not be available, or may be available in a different specification, or at a different price. Optional equipment may change the CO2 value, please check your desired specification on the online configurator.



Steer-by-wire [210]

£2,625

Step into the future of driving with our innovative multifunction steering wheel in a distinctive yoke design. This groundbreaking design provides you with an unobstructed view of your driver display, putting crucial information directly in your line of sight.

At the heart of this innovation is the electronic steer-by-wire system, creating a purely electronic connection between your steering wheel and the road. This advanced technology delivers impressive manoeuvrability in urban environments and exceptional driving stability at higher speeds, transforming every journey.

Our speed-sensitive steering intelligently adapts to your driving conditions. At low speeds, such as navigating city streets or parking, a mere 180° steering movement is all it takes to achieve full lock, dramatically enhancing your vehicle’s agility. As you accelerate, the system seamlessly adjusts to support driving stability, ensuring a remarkably effortless and composed ride.

The Steer-by-wire package consists of:

- Multifunction steering wheel in nappa leather in yoke design (L7B)
- Speed-dependent electronic steering system

Please note – Steer-By-Wire will not be available from launch.

Premium	•
Premium Plus	•
Premium Plus Executive	•

✓ indicates standard equipment, ○ indicates optional at no extra cost, – indicates not available, ● indicates a cost option. Price indicates optional at the cost shown . Price shown inclusive of VAT.

Some of the model features, optional extras and colours shown may not be available, or may be available in a difference specification, or at a different price. Optional equipment may change the CO2 value, please check your desired specification on the online configurator.

Pricing

	Powertrain	CO2	Basic RRP excl. VAT	Total RRP incl. VAT	Road Fund Licence	Rec. OTR Price	P11D Value	BIK Tax Rate 2026/27
Premium	EQS 400	0	£75,745.83	£90,895	£10	£91,765	£91,700	4%
	EQS 450+	0	£86,391.67	£103,670	£10	£104,540	£104,475	4%
	EQS 580 4MATIC	0	£104,654.17	£125,585	£10	£126,455	£126,390	4%
Premium Plus	EQS 400	0	£81,579.17	£97,895	£10	£98,765	£98,700	4%
	EQS 450+	0	£92,225.00	£110,670	£10	£111,540	£111,475	4%
	EQS 580 4MATIC	0	£110,487.50	£132,585	£10	£133,455	£133,390	4%
Premium Plus Executive	EQS 400	0	£86,537.50	£103,845	£10	£104,715	£104,650	4%
	EQS 450+	0	£97,183.33	£116,620	£10	£117,490	£117,425	4%
	EQS 580 4MATIC	0	£115,445.83	£138,535	£10	£139,405	£139,340	4%

¹The indicated values were determined according to the prescribed measurement method –Worldwide Harmonised Light Vehicle Test Procedure (WLTP). Figures shown may include options which are not available in the UK. Battery Electric Vehicles (BEV) require mains electricity for charging, range figures determined with the battery fully charged. These models require mains electricity for charging ²Figures shown are for comparability purposes; only compare with other cars tested to the same technical procedures. Figures may not reflect real life driving results, which will depend upon a number of factors including factory-fitted options, accessories fitted (post registration), variations in weather, driving styles and vehicle load. Further information about the test used to establish fuel consumption and CO₂ figures can be found at <http://www.mercedes-benz.co.uk/WLTP> ³A different first year rate of Vehicle Excise Duty (Road Fund Licence) applies for new cars. ³The recommended on-the-road price includes the Road Fund Licence applicable to the standard model plus delivery charge (£780.00 incl. VAT), new vehicle registration fee (£55.00) and number plates (£25.00 incl.VAT). VAT is calculated at the standard rate of 20%. Some of the model features, optional extras and colours shown may not be available, or may only be available in a different specification, or at a different price

Standard Equipment

Premium Plus Executive
Premium Plus
Premium



Battery & Charging

112.0kWh lithium-ion battery (400 only)	✓	✓	✓
122.0kWh lithium-ion battery (450+ and 580 4M only)	✓	✓	✓
AC charging rated at 11kW	✓	✓	✓
DC charging rated at 350kW	✓	✓	✓
Charging cable up to 22 kW for wallbox and public charging station, 7 m, straight	✓	✓	✓

Engine, Transmission & Suspension

2-speed automatic transmission	✓	✓	✓
DYNAMIC SELECT with a choice of driving modes - Eco, Comfort, Sport, Individual	✓	✓	✓
AIRMATIC with intelligent damper control and Digital Extras	✓	✓	✓
Rear axle steering up to 10 degrees	✓	✓	✓

Exterior

Electric Art exterior with AMG Line body styling - AMG specific front bumper painted in vehicle colour with A-wing in high-gloss black and trim in chrome, Front splitter in high-gloss chrome with flics and fins at the left and right air inlets in high-gloss black with trim in chrome, Side skirts painted in high-gloss black with insert in chrome, AMG-specific rear apron painted in vehicle colour with diffuser-look inserts in high-gloss black, trim strip in chrome and flics at the left and right air outlets in grained black	✓	✓	✓
Illuminated radiator grille with chrome applications and upright Mercedes star mounted on the front bonnet	✓	✓	✓
EASY-ENTRY system with Remote boot lid	✓	✓	✓
DIGITAL LIGHT with Adaptive Highbeam Assist Plus	✓	✓	✓
Illuminated door sill panels with "Mercedes-Benz" lettering	✓	✓	✓
GUARD 360 ° break-in resistant heat- and noise-insulated laminated safety glass	-	-	✓
Privacy glass - heat insulating dark-tinted glass	✓	✓	✓
Panoramic sliding sunroof - consisting of a fixed panoramic glass rear section and an electrically-operated sliding glass front section, the glass roof provides additional light and ventilation into the car	✓	✓	✓
Mirror package - electrically folding mirrors and automatically-dimming exterior driver's mirror and rear-view mirror	✓	✓	✓
KEYLESS-GO with flush-fitting door handles and Digital Extra	✓	✓	✓
Pre-installation for Digital Vehicle Key for Smartphone	✓	✓	✓

✓ indicates standard equipment, ○ indicates optional at no extra cost, - indicates not available, ● indicates a cost option.

	Premium	Premium Plus	Premium Plus Executive
TIREFIT with tyre inflation compressor	✓	✓	✓
Vehicle socket flap, electric	✓	✓	✓
Wheels			
50.8 cm (20-inch) AMG light-alloy wheels in 5-spoke design	✓	-	-
53.3 cm (21-inch) AMG multi-spoke light-alloy wheels	-	✓	✓
Interior			
Electric Art interior - Comfort seats, Velour floor mats, Multifunction steering wheel in nappa leather	✓	✓	✓
ENERGIZING AIR CONTROL Plus	✓	✓	✓
Ambient lighting with projection of brand logo	✓	✓	✓
Ambient lighting with directly and indirectly illuminated light lines, 64 colours and 10 colour schemes	✓	✓	✓
Active ambient lighting, including visualisation of music, driver assistance systems and other vehicle functions	✓	✓	✓
Automatically dimming interior mirror and driver's exterior mirror	✓	✓	✓
Front centre armrest with stowage compartment	✓	✓	✓
Heated seat belts - front	-	✓	✓
4-way lumbar support	✓	-	-
Luxury head restraints in the front	✓	✓	✓
Memory seat package - memory function for seats, steering column, mirrors and head up display (where fitted) with 3 memory positions	✓	✓	✓
Heated front seats	✓	-	-
Heated rear seats	✓	✓	-
Climatised front seats - 3-stage seat ventilation and heating for a pleasant seat climate	-	✓	✓
Climatised rear seats - 3-stage seat ventilation and heating for a pleasant seat climate (Part of Rear Comfort Package)	-	-	✓

¹Our driver assistance and safety systems are aids and do not relieve you of your responsibility as the driver. Please take note of the information in the Owner's Manual and the system limits which are described therein.

✓ indicates standard equipment, ○ indicates optional at no extra cost, - indicates not available, ● indicates a cost option.

Standard Equipment

	Premium	Premium Plus	Premium Plus Executive
Heated windscreen washer system	✓	✓	✓
Seat heating Plus for driver and front passenger seats	-	✓	✓
THERMATIC automatic climate control	✓	-	-
THERMOTRONIC automatic climate control	-	✓	✓
HANDS-FREE ACCESS	✓	✓	✓
Folding rear seat backrests	✓	✓	✓
Multicontour Seat Package with massage function pro in front	-	✓	✓
MBUX remote control in the rear	-	-	✓
Adaptive rear compartment lighting	-	-	✓
Steering			
Multifunction steering wheel in nappa leather	✓	✓	✓
Electrically-adjustable steering column - height and reach	✓	✓	✓
Heated steering wheel	✓	✓	✓
Paint, Trim and Upholstery			
Metallic Paint	✓	✓	✓
Roof liner in black fabric	✓	✓	✓
Anthracite open-pore oak wood trim elements	✓	✓	✓
Leather black / space grey	✓	-	-
Nappa leather black / space grey	-	✓	✓
Safety and Assistance Systems			
GUARD 360° vehicle protection plus - With Emergency key deactivation, Stolen Vehicle Help and collision detection with camera images	✓	✓	✓
Anti-theft alarm system with immobiliser and interior protection and preinstallation for collision detection	✓	✓	✓
Dashcam	✓	✓	✓
Acoustic presence indicator	✓	✓	✓
Digital Extra: MB.DRIVE ASSIST - Lane Change Assist and Steering Assist	✓	✓	✓
Driver and front passenger airbags with extended adaptivity for front passenger airbag	✓	✓	✓
Automatic front passenger airbag deactivation	✓	✓	✓
Central airbag	✓	✓	✓
Beltbag	-	-	✓



✓ indicates standard equipment, ○ indicates optional at no extra cost, - indicates not available, ● indicates a cost option.

Standard Equipment

	Premium	Premium Plus	Premium Plus Executive
Kneebag for driver	✓	✓	✓
ISOFIX child seat attachment points with top tether in rear (two outer seats)	✓	✓	✓
Automatic child seat recognition sensor	✓	✓	✓
Status display in instrument cluster for rear seat belts	✓	✓	✓
Mercedes-Benz emergency call system	✓	✓	✓
Distance Assist DISTRONIC ¹ - Automatically maintains your selected speed and distance to vehicles ahead	✓	✓	✓
Lane Keeping Assist ¹ - Warning and active steering intervention in the event of unintentional lane departure	✓	✓	✓
Brake Assist ¹ - Can assist with full braking force to avoid or mitigate the impact of colliding with the vehicle in front	✓	✓	✓
ATTENTION ASSIST ¹ - Monitors driver behaviour for tiredness and recommends when it is time for a break	✓	✓	✓
Traffic Sign Assist ¹ - traffic sign recognition including wrong-way warning function and display of posted speed limits in the instrument cluster	✓	✓	✓
Blind Spot Assist ¹ - Warns visually and audibly of threatening side collisions with other road users	✓	✓	✓
Adaptive brake system with HOLD function and brake drying in the wet	✓	✓	✓
Electronic Stability Programme (ESP®) with Curve Dynamic Assist and Crosswind Assist - for greater driving safety and stability, in particular when accelerating on bends; counters understeer by one-sided braking action. Detects sudden, strong gusts of wind and helps the driver stay in lane by means of targeted braking	✓	✓	✓
Digital Extra: MB.DRIVE PARKING ASSIST 360	✓	✓	✓
Tyre pressure monitoring system	✓	✓	✓
Electric parking brake	✓	✓	✓
Driver's fluorescent jacket	✓	✓	✓
Remote boot release	✓	✓	✓
Emergency Stop Assist - detects if the driver is unresponsive by monitoring steering movement. Provides warnings before bringing the vehicle to a stop, activating the hazard lights and initiating an emergency call	✓	✓	✓
Evasive Steering Assist - helps avoid collisions by providing steering torque to enhancing swerving manoeuvres	✓	✓	✓
Speed Limit Assist - automatically adjusts the set speed to detected changes in speed limit	✓	✓	✓
Stop-and-Go Assist - takes strain away from the driver in traffic jams on motorways, managing braking and also acceleration within 60s of a complete stop	✓	✓	✓
Steering Assist - keeps the vehicle centered in its lane and provides automatic steering inputs to prevent unintentional drifting	✓	✓	✓
Congestion emergency brake function - detects potential rear-end collisions, automatically applying the brakes if the driver fails to respond	✓	✓	✓
Exit warning function - alerts occupants to approaching traffic, cyclists or pedestrians when opening the doors	✓	✓	✓
Hazard display via ambient lighting - cockpit lights alert of hazards by flashing red, such as blind-spot warnings	✓	✓	✓
PRE-SAFE - reventive occupant protection, including PRE-SAFE® Sound, reversible belt tensioning and closing function for the side windows	✓	✓	✓
PRE-SAFE® Impulse Side - prepare the occupants for a side impact and reduce the risk of injury. Like a bodyguard, it nudges the driver or front passenger away from the danger zone towards the centre of the vehicle.	-	-	✓
Route-based speed adjustment - adjusts vehicle speed based on map data, such as for upcoming bends, roundabouts, junctions and exits, resuming the set speed afterward	✓	✓	✓



¹Our driver assistance and safety systems are aids and do not relieve you of your responsibility as the driver. Please take note of the information in the Owner's Manual and the system limits which are described.

✓ indicates standard equipment, ○ indicates optional at no extra cost, - indicates not available, ● indicates a cost option.

Standard Equipment

Premium Plus Executive
Premium Plus
Premium



Communication and In-Car Entertainment	Premium	Premium Plus	Premium Plus Executive
MBUX Hyperscreen - 3 displays merge under a continuous glass surface	✓	✓	✓
MBUX augmented navigation head-up display	-	✓	-
MBUX augmented reality Head-up Display	-	-	✓
Standard sound system with 10 speakers	✓	-	-
Burmester® 3D surround sound system - 17 speakers and 4 exciters, 730-watt system output and Dolby Atmos®	-	✓	✓
Fingerprint scanner - Secure biometric identification of your driver profile	✓	✓	✓
DAB digital radio tuner	✓	✓	✓
Hard-disc navigation - Includes 2D and 3D map display and route options such as Eco and Trailer	✓	✓	✓
MBUX Navigation Premium - Fast, networked navigation, including online route guidance, real-time traffic information and Car-to-X communication	✓	✓	✓
MBUX augmented reality for navigation - Graphical navigation and traffic information merge with live images on the central display	✓	✓	✓
Pre-installation for Live Traffic	✓	✓	✓
USB Package Plus - A total of 6 fast-charging USB-C ports for your mobile devices - 2 in the front oddments tray, 2 under the centre armrest and 2 in the rear centre console	✓	✓	✓
Wireless charging front	✓	✓	✓
Wireless charging rear	✓	✓	✓
Smartphone integration ¹ via Android Auto™ or Apple CarPlay®	✓	✓	✓
Bluetooth interface ¹	✓	✓	✓
5G communications module	✓	✓	✓
Digital Extras (standard services) ² - including emergency call system (eCall), accident recovery, breakdown and maintenance management	✓	✓	✓
Digital Extras (vehicle set-up and monitoring) ² - onboard use of remote and location services e.g. geographic vehicle monitoring, vehicle location, remote door locking and unlocking, remote interrogation of vehicle status - available to use free of charge for three years following activation	✓	✓	✓
MBUX voice control activated by keywords "Hey Mercedes"	✓	✓	✓
MBUX extended functions ² - available to use free of charge for three years following activation	✓	✓	✓
Remote Services Premium ² - You can locate your vehicle and control certain functions remotely	✓	✓	✓
Pre-installation for MBUX Entertainment Plus ² - Fully integrated app store including music and video streaming services, games and productivity apps	✓	✓	✓

¹Compatible mobile phone required. Please check www.mercedes-benz.com for details or contact your local Mercedes-Benz Agent for further information.

²To use this service, you must register on the Digital Extras portal and also accept the Terms of Use for the Digital Extras services. In addition, the respective vehicle must be paired with the user account. Upon expiry of the initial term, the services can be extended for a fee. Initial activation of the services is possible within 1 year of first registration or commissioning by the customer, whichever comes first.

✓ indicates standard equipment, ○ indicates optional at no extra cost, - indicates not available, ● indicates a cost option.

Optional Equipment

Premium Plus Executive
Premium Plus
Premium



	DR1	£4,500	Premium	Premium Plus	Premium Plus Executive
Rear Comfort Package Plus	DR1	£4,500	-	-	•
Multicontour rear seats			-	-	•
Seat heating Plus in the rear with Headroom and shoulder heating in the rear			-	-	•
Executive seat with an electrically adjustable backrest angle of up to 38° degrees and Luxury head restraints with head restraint cushions			-	-	•
Seat on front passenger side electrically adjustable from the rear			-	-	•
2 scatter cushions			-	-	•
Designer seat belt buckles in the front and rear			-	-	•
Seat cushion depth extension by 50mm			-	-	•
KEYLESS-GO Convenience Package Plus			-	-	•
MBUX High-End Rear Seat Entertainment System (Only in conjunction with DR1)	854	£3,500	-	-	•
2 fully integrated touch displays with a 13.1" screen diagonal and connection to the MBUX multimedia system			-	-	•
2 wireless head sets			-	-	•
Exclusive Nappa leather Package	P87	£7,500	-	-	•
Exclusive nappa leather macchiato beige / space grey in conjunction with comfort seats	505A		-	•	•
Exclusive nappa leather macchiato beige / space grey in conjunction with DR1 executive seats	525A		-	-	•
Steer-by-wire	210	£2,625	•	•	•
Multifunction steering wheel in nappa leather in yoke design (L7B)			•	•	•
Metallic Paint					
Obsidian BlackMetallic	197U	Standard	✓	✓	✓
Nautical Blue Metallic	595U	No-Cost Option	○	○	○
Graphite Grey Metallic	831U	No-Cost Option	○	○	○
Velvet Brown Metallic	771U	No-Cost Option	○	○	○
High-tech Silver Metallic	922U	No-Cost Option	○	○	○
Sodalite Blue Metallic	842U	No-Cost Option	○	○	○
Warm Grey Non-Metallic	715U	No-Cost Option	○	○	○
MANUFAKTUR Paint					
MANUFAKTUR Opalite White Bright Metallic	885U	£1,000	•	•	•
MANUFAKTUR patagonia red metallic	993U	£1,000	•	•	•
MANUFAKTUR graphite grey magno	818U	£5,000	•	•	•

✓ indicates standard equipment, ○ indicates optional at no extra cost, - indicates not available, • indicates a cost option, ^ indicates part of a package

Optional Equipment

Premium Plus Executive
Premium Plus
Premium

Upholstery						
Leather black / space grey	201A	Standard	✓	-	-	-
Leather macchiato beige / space grey	205A	No-Cost Option	○	-	-	-
Leather neva grey / balao brown	209A	No-Cost Option	○	-	-	-
Leather black / balao brown	211A	No-Cost Option	○	-	-	-
Leather black / biscay blue	221A	No-Cost Option	○	-	-	-
Nappa leather black / space grey	801A	Standard	-	✓	✓	✓
Nappa leather macchiato beige / space grey	805A	No-Cost Option	-	○	○	○
Nappa leather black / balao brown	811A	No-Cost Option	-	○	○	○
Nappa leather black / biscay blue	821A	No-Cost Option	-	○	○	○
Trim						
Anthracite linestructure lime wood trim	H08	Standard	✓	✓	✓	✓
Anthracite open-pore fine-line poplar wood trim	43H	£750	•	•	•	•
Brown open-pore walnut wood trim	H12	£300	•	•	•	•
Ship's deck open-pore walnut wood trim	H39	£2,820	•	•	•	•
AMG carbon-fibre trim element	H73	£1,300	•	•	•	•
Wheels						
20" AMG light-alloy wheels in 5-spoke design with full-cover bicolour aero trim in black and silver	RVT	No-Cost Option	○	○	○	○
20" AMG 5-spoke light-alloy wheels painted in black with high-sheen finish	RRP	Standard	✓	-	-	-
		No-Cost Option	-	○	○	○
21" AMG light-alloy wheels in cross-spoke design painted black with high-sheen rim flange	RQW	£1,000	•	-	-	-
		No-Cost Option	-	○	○	○
21" AMG light-alloy wheels in multi-spoke design painted black with high-sheen finish	RWQ	£835	•	-	-	-
		Standard	-	✓	✓	✓
22" AMG light-alloy wheels in multi-spoke design painted black with high-sheen finish	RPF	£2,245	•	-	-	-
		£1,150	-	•	•	•

Technical Data

CO2 & Consumption Values						
Engine	Fuel Type	Transmission	Model Variant	CO2 Combined (g/km)	Energy Consumption – combined (Wh/km) ¹	EAER Electric Range (miles)
EQS 400	Electric	Automatic	Premium	0	164 - 180	451 - 490
			Premium Plus	0	165 - 181	449 - 488
			Premium Plus Executive	0	165 - 182	446 - 487
EQS 450+	Electric	Automatic	Premium	0	165 - 180	498 - 542
			Premium Plus	0	166 - 181	495 - 539
			Premium Plus Executive	0	166 - 187	492 - 538
EQS 580 4MATIC	Electric	Automatic	Premium	0	168 - 183	486 - 526
			Premium Plus	0	169 - 184	483 - 524
			Premium Plus Executive	0	170 - 185	480 - 523

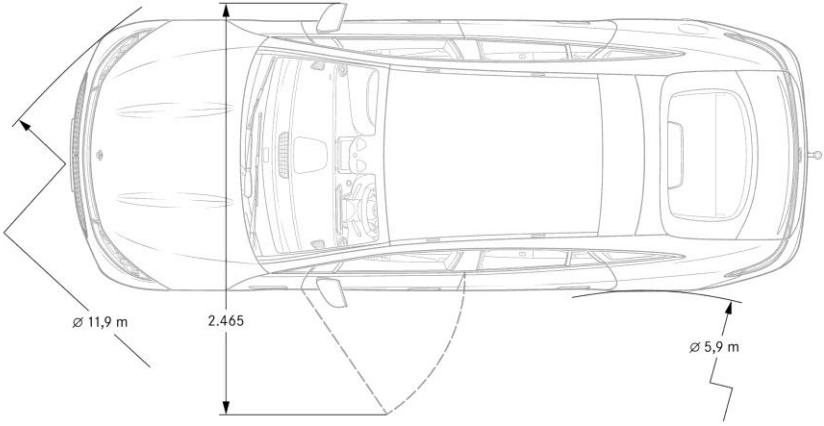
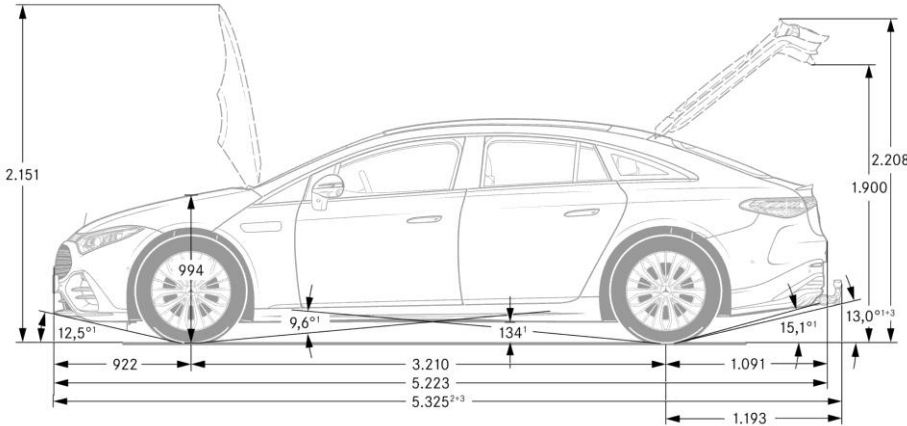
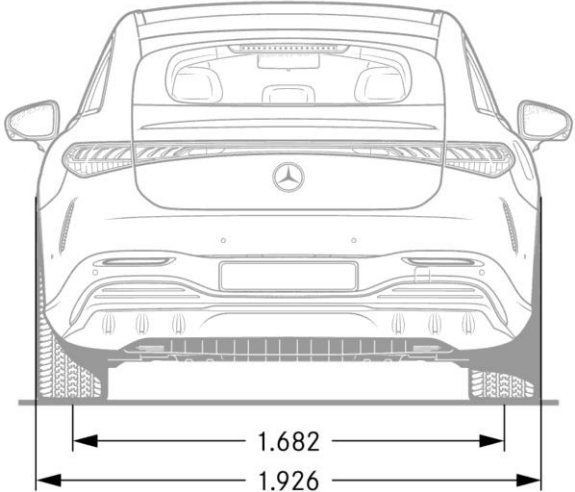
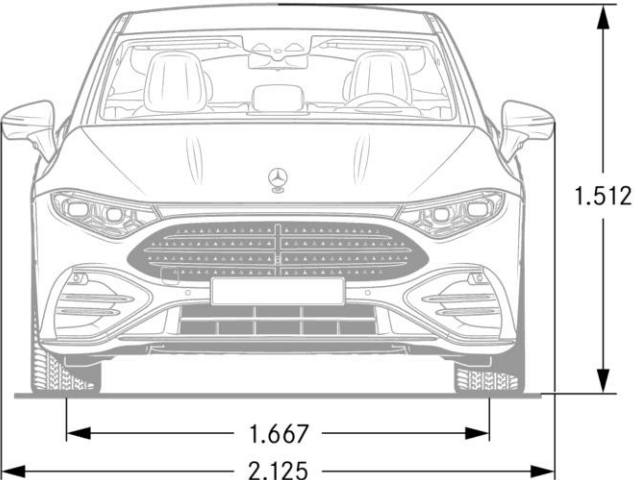
Wheels & Tyres				
Model	Wheel Code	Description	Front	Rear
Premium	RRP	20" AMG light-alloy wheels in 5-spoke design aerodynamically optimised, painted	255/45 R20 on 8.5 J x 20 ET 33	255/45 R20 on 8.5 J x 20 ET 33
Premium Plus	RWQ	21" AMG cross-spoke light-alloy wheels aerodynamically optimised, painted black	265/40 R21 on 9.5 J x 21 ET 41.5	265/40 R21 on 9.5 J x 21 ET 41.5
Premium Plus Executive	RWQ	21" AMG cross-spoke light-alloy wheels aerodynamically optimised, painted black	265/40 R21 on 9.5 J x 21 ET 41.5	265/40 R21 on 9.5 J x 21 ET 41.5

Technical Data

		EQS 400	EQS 450+	EQS 580 4MATIC
Emissions				
Emissions standard		Euro 6-WLTP	Euro 6-WLTP	Euro 6-WLTP
Powertrain				
Powertrain		Electric	Electric	Electric
Gearbox		2-speed automatic transmission	2-speed automatic transmission	2-speed automatic transmission
Drive type		4x2 (RWD)	4x2 (RWD)	4x4 (AWD)
Power ¹	hp (kW)	367 (270)	408 (300)	585 (430)
Torque ¹	Nm	505	505	800
Powertrain				
Acceleration (0-62mph)	sec	6.2	5.9	4.1
Top speed	mph	130	130	130
Battery				
Battery type		Lithium-ion	Lithium-ion	Lithium-ion
Battery capacity (useable)	kWh	112	122	122
Battery warranty		10 years/155,000 Miles	10 years/155,000 Miles	10 years/155,000 Miles
Charging				
On-board charger (AC)	kW	11	11	11
Charging time - 350kW DC	10-80%	25 mins	27 mins	27 mins
Charging time - Wallbox 11kW AC ²	0-100%	11 hours 30 mins	11 hours 30 mins	11 hours 30 mins
Charging time - Home Wallbox 7kW AC ³	0-100%	17 hours	19 hours	19 hours
Range				
Electric Range	miles	446 - 490 miles	492 - 542 miles	480 - 526
Electric energy consumption, combined ⁵	Wh/km	164 - 182	165 - 187	168 - 185
Weights & Capacities				
Kerb weight	kg	2598 - 2697	2598 - 2697	2708 - 2807
Permissible gross vehicle weight	kg	3120	3120	3205
Boot capacity - seats up	litres	610	610	610
Maximum roof load	kg	100	100	100

¹Figures according to Regulation (EC) No. 595/2009 in the currently applicable version. ²Specified voltage and current values refer to network infrastructure and can be limited by the vehicle. Times are from 10-100% charge using a wallbox (three-phase) or standard socket (single-phase). ³Specified voltage and current values refer to network infrastructure and can be limited by the vehicle. Times are from 10-80% charge using rapid public charging at 170kW. ⁴Figures shown are for compatibility purposes; only compare with other cars tested to the same technical procedures. Figures may not reflect real life driving results, which will depend upon a number of factors including the starting charge of the battery, factory-fitted options, accessories fitted (post registration), variations in weather, driving styles and vehicle load. Further information about the test used to establish range, power consumption and CO2 figures can be found at www.mercedes-benz.co.uk/WLTP. Specified voltage and current values refer to network infrastructure and can be limited by the vehicle

Technical Data



All measurements in millimetres. The dimensions shown are mean values and apply to standard specification, unladen vehicles

Technical Data

EQS Saloon										
Model Variant	Bodyshell	Fuel	WLTP CO2 Combined (g/km)	BIK Tax Rate	Kerb Weight (KG)	Energy Consumption Combined (Wh/km)	EAER Electric Range KM	EAER Electric Range MILES	EAER City Range Combined KM	EAER City Range Combined MILES
EQS 400										
(V297) EQS 400 Premium Saloon RVT	Saloon	Electric	0	4%	2598	164	788	490	870	541
(V297) EQS 400 Premium Saloon RPF	Saloon	Electric	0	4%	2623	177	739	459	829	515
(V297) EQS 400 Premium Saloon RQW	Saloon	Electric	0	4%	2617	168	774	481	860	534
(V297) EQS 400 Premium Saloon	Saloon	Electric	0	4%	2607	164	789	490	868	539
(V297) EQS 400 Premium Saloon RWQ	Saloon	Electric	0	4%	2617	167	776	482	861	535
(V297) EQS 400 Premium Saloon 210+RVT	Saloon	Electric	0	4%	2641	167	776	482	854	531
(V297) EQS 400 Premium Saloon 210+RPF	Saloon	Electric	0	4%	2666	180	726	451	813	505
(V297) EQS 400 Premium Saloon 210+RQW	Saloon	Electric	0	4%	2660	171	762	473	844	524
(V297) EQS 400 Premium Saloon 210	Saloon	Electric	0	4%	2649	167	777	483	852	529
(V297) EQS 400 Premium Saloon 210+RWQ	Saloon	Electric	0	4%	2659	170	764	475	845	525
(V297) EQS 400 Premium Plus Saloon RQW-1	Saloon	Electric	0	4%	2632	169	770	478	855	531
(V297) EQS 400 Premium Plus Saloon RPF-1	Saloon	Electric	0	4%	2637	178	735	457	824	512
(V297) EQS 400 Premium Plus Saloon RVT	Saloon	Electric	0	4%	2612	165	784	487	865	537
(V297) EQS 400 Premium Plus Saloon RRP-1	Saloon	Electric	0	4%	2621	165	785	488	863	536
(V297) EQS 400 Premium Plus Saloon	Saloon	Electric	0	4%	2631	168	772	480	856	532
(V297) EQS 400 Premium Plus Saloon 210+RQW-1	Saloon	Electric	0	4%	2674	172	758	471	839	521
(V297) EQS 400 Premium Plus Saloon 210+RPF-1	Saloon	Electric	0	4%	2680	181	723	449	807	501
(V297) EQS 400 Premium Plus Saloon 210+RVT	Saloon	Electric	0	4%	2655	168	772	480	849	528
(V297) EQS 400 Premium Plus Saloon 210+RRP-1	Saloon	Electric	0	4%	2664	168	773	480	847	526
(V297) EQS 400 Premium Plus Saloon 210	Saloon	Electric	0	4%	2673	171	760	472	840	522
(V297) EQS 400 Premium Plus Saloon P87+RQW-1	Saloon	Electric	0	4%	2631	169	771	479	855	531
(V297) EQS 400 Premium Plus Saloon P87+RPF-1	Saloon	Electric	0	4%	2637	178	735	457	824	512
(V297) EQS 400 Premium Plus Saloon P87+RVT	Saloon	Electric	0	4%	2612	165	784	487	865	537
(V297) EQS 400 Premium Plus Saloon P87+RRP-1	Saloon	Electric	0	4%	2620	165	786	488	863	536
(V297) EQS 400 Premium Plus Saloon P87	Saloon	Electric	0	4%	2630	168	773	480	856	532
(V297) EQS 400 Premium Plus Saloon P87+210+RQW-1	Saloon	Electric	0	4%	2673	172	758	471	839	521
(V297) EQS 400 Premium Plus Saloon P87+210+RPF-1	Saloon	Electric	0	4%	2679	181	723	449	807	501
(V297) EQS 400 Premium Plus Saloon P87+210+RVT	Saloon	Electric	0	4%	2654	168	772	480	849	528
(V297) EQS 400 Premium Plus Saloon P87+210+RRP-1	Saloon	Electric	0	4%	2663	168	774	481	847	526
(V297) EQS 400 Premium Plus Saloon P87+210	Saloon	Electric	0	4%	2672	171	760	472	840	522
(V297) EQS 400 Premium Plus Executive Saloon RQW-1	Saloon	Electric	0	4%	2639	169	768	477	852	529
(V297) EQS 400 Premium Plus Executive Saloon RPF-1	Saloon	Electric	0	4%	2645	178	733	455	821	510
(V297) EQS 400 Premium Plus Executive Saloon RVT	Saloon	Electric	0	4%	2620	166	782	486	862	536

¹Figures shown are for comparability purposes; only compare with other cars tested to the same technical procedures. Figures may not reflect real life driving results, which will depend upon a number of factors including the starting charge of the battery, factory-fitted options, accessories fitted (post registration), variations in weather, driving styles and vehicle load. Further information about the test used to establish range, power consumption and CO₂ figures can be found at www.mercedes-benz.co.uk/WLTP.

Technical Data

Model Variant	Bodyshell	Fuel	WLTP CO2 Combined (g/km)	BIK Tax Rate	Kerb Weight (KG)	Energy Consumption Combined (Wh/km)	EAER Electric Range KM	EAER Electric Range MILES	EAER City Range Combined KM	EAER City Range Combined MILES
(V297) EQS 400 Premium Plus Executive Saloon RRP-1	Saloon	Electric	0	4%	2629	165	784	487	860	534
(V297) EQS 400 Premium Plus Executive Saloon	Saloon	Electric	0	4%	2638	169	770	478	853	530
(V297) EQS 400 Premium Plus Executive Saloon 210+RQW-1	Saloon	Electric	0	4%	2681	172	756	470	836	519
(V297) EQS 400 Premium Plus Executive Saloon 210+RPF-1	Saloon	Electric	0	4%	2687	181	721	448	804	500
(V297) EQS 400 Premium Plus Executive Saloon 210+RVT	Saloon	Electric	0	4%	2662	169	770	478	846	526
(V297) EQS 400 Premium Plus Executive Saloon 210+RRP-1	Saloon	Electric	0	4%	2671	168	771	479	844	524
(V297) EQS 400 Premium Plus Executive Saloon 210	Saloon	Electric	0	4%	2681	172	758	471	837	520
(V297) EQS 400 Premium Plus Executive Saloon P87+RQW-1	Saloon	Electric	0	4%	2638	169	769	478	853	530
(V297) EQS 400 Premium Plus Executive Saloon P87+RPF-1	Saloon	Electric	0	4%	2644	178	733	455	821	510
(V297) EQS 400 Premium Plus Executive Saloon P87+RVT	Saloon	Electric	0	4%	2619	166	782	486	862	536
(V297) EQS 400 Premium Plus Executive Saloon P87+RRP-1	Saloon	Electric	0	4%	2628	165	784	487	860	534
(V297) EQS 400 Premium Plus Executive Saloon P87	Saloon	Electric	0	4%	2637	169	771	479	853	530
(V297) EQS 400 Premium Plus Executive Saloon P87+210+RQW-1	Saloon	Electric	0	4%	2681	172	757	470	837	520
(V297) EQS 400 Premium Plus Executive Saloon P87+210+RPF-1	Saloon	Electric	0	4%	2687	181	721	448	805	500
(V297) EQS 400 Premium Plus Executive Saloon P87+210+RVT	Saloon	Electric	0	4%	2661	169	770	478	846	526
(V297) EQS 400 Premium Plus Executive Saloon P87+210+RRP-1	Saloon	Electric	0	4%	2670	168	772	480	844	524
(V297) EQS 400 Premium Plus Executive Saloon P87+210	Saloon	Electric	0	4%	2680	172	759	472	837	520
(V297) EQS 400 Premium Plus Executive Saloon DR1+RQW-1	Saloon	Electric	0	4%	2649	170	766	476	849	528
(V297) EQS 400 Premium Plus Executive Saloon DR1+RPF-1	Saloon	Electric	0	4%	2654	179	730	454	817	508
(V297) EQS 400 Premium Plus Executive Saloon DR1+RVT-1	Saloon	Electric	0	4%	2629	166	780	485	859	534
(V297) EQS 400 Premium Plus Executive Saloon DR1+RRP-1	Saloon	Electric	0	4%	2638	166	781	485	856	532
(V297) EQS 400 Premium Plus Executive Saloon DR1	Saloon	Electric	0	4%	2648	169	768	477	850	528
(V297) EQS 400 Premium Plus Executive Saloon DR1+210+RQW-1	Saloon	Electric	0	4%	2691	173	754	469	833	518
(V297) EQS 400 Premium Plus Executive Saloon DR1+210+RPF-1	Saloon	Electric	0	4%	2697	182	718	446	801	498
(V297) EQS 400 Premium Plus Executive Saloon DR1+210+RVT	Saloon	Electric	0	4%	2672	169	768	477	843	524
(V297) EQS 400 Premium Plus Executive Saloon DR1+210+RRP-1	Saloon	Electric	0	4%	2681	169	769	478	840	522
(V297) EQS 400 Premium Plus Executive Saloon DR1+210	Saloon	Electric	0	4%	2690	172	756	470	834	518
(V297) EQS 400 Premium Plus Executive Saloon DR1+P87+RQW-1	Saloon	Electric	0	4%	2648	170	766	476	849	528
(V297) EQS 400 Premium Plus Executive Saloon DR1+RPF-1+P87	Saloon	Electric	0	4%	2654	179	731	454	818	508
(V297) EQS 400 Premium Plus Executive Saloon DR1+RVT-1+P87	Saloon	Electric	0	4%	2628	166	780	485	859	534
(V297) EQS 400 Premium Plus Executive Saloon DR1+RRP-1+P87	Saloon	Electric	0	4%	2637	166	781	485	857	533
(V297) EQS 400 Premium Plus Executive Saloon DR1+P87	Saloon	Electric	0	4%	2647	169	768	477	850	528
(V297) EQS 400 Premium Plus Executive Saloon DR1+P87+210+RQW-1	Saloon	Electric	0	4%	2690	173	754	469	833	518
(V297) EQS 400 Premium Plus Executive Saloon DR1+RPF-1+P87+210	Saloon	Electric	0	4%	2696	182	718	446	801	498
(V297) EQS 400 Premium Plus Executive Saloon DR1+RVT-1+P87+210	Saloon	Electric	0	4%	2671	169	768	477	843	524
(V297) EQS 400 Premium Plus Executive Saloon DR1+RRP-1+P87+210	Saloon	Electric	0	4%	2680	169	769	478	841	523
(V297) EQS 400 Premium Plus Executive Saloon DR1+P87+210	Saloon	Electric	0	4%	2689	172	756	470	834	518

*Figures shown are for comparability purposes; only compare with other cars tested to the same technical procedures. Figures may not reflect real life driving results, which will depend upon a number of factors including the starting charge of the battery, factory-fitted options, accessories fitted (post registration), variations in weather, driving styles and vehicle load. Further information about the test used to establish range, power consumption and CO₂ figures can be found at www.mercedes-benz.co.uk/WLTP.

Technical Data

Model Variant	Bodyshell	Fuel	WLTP CO2 Combined (g/km)	BIK Tax Rate	Kerb Weight (KG)	Energy Consumption Combined (Wh/km)	EAER Electric Range KM	EAER Electric Range MILES	EAER City Range Combined KM	EAER City Range Combined MILES
EQS 450+										
(V297) EQS 450+ Premium Saloon RVT	Saloon	Electric	0	4%	2598	165	871	541	962	598
(V297) EQS 450+ Premium Saloon RPF	Saloon	Electric	0	4%	2623	177	845	525	914	568
(V297) EQS 450+ Premium Saloon RQW	Saloon	Electric	0	4%	2617	168	855	531	950	590
(V297) EQS 450+ Premium Saloon	Saloon	Electric	0	4%	2607	165	872	542	959	596
(V297) EQS 450+ Premium Saloon RWQ	Saloon	Electric	0	4%	2617	168	857	533	951	591
(V297) EQS 450+ Premium Saloon 210+RVT	Saloon	Electric	0	4%	2641	168	857	533	943	586
(V297) EQS 450+ Premium Saloon 210+RPF	Saloon	Electric	0	4%	2666	180	801	498	895	556
(V297) EQS 450+ Premium Saloon 210+RQW	Saloon	Electric	0	4%	2660	171	841	523	931	578
(V297) EQS 450+ Premium Saloon 210	Saloon	Electric	0	4%	2649	168	858	533	940	584
(V297) EQS 450+ Premium Saloon 210+RWQ	Saloon	Electric	0	4%	2659	171	843	524	932	579
(V297) EQS 450+ Premium Plus Saloon RQW-1	Saloon	Electric	0	4%	2632	169	851	529	944	587
(V297) EQS 450+ Premium Plus Saloon RPF-1	Saloon	Electric	0	4%	2637	178	810	503	907	564
(V297) EQS 450+ Premium Plus Saloon RVT	Saloon	Electric	0	4%	2612	166	866	538	955	593
(V297) EQS 450+ Premium Plus Saloon RRP-1	Saloon	Electric	0	4%	2621	166	868	539	953	592
(V297) EQS 450+ Premium Plus Saloon	Saloon	Electric	0	4%	2631	169	853	530	945	587
(V297) EQS 450+ Premium Plus Saloon 210+RQW-1	Saloon	Electric	0	4%	2674	172	837	520	925	575
(V297) EQS 450+ Premium Plus Saloon 210+RPF-1	Saloon	Electric	0	4%	2680	181	796	495	888	552
(V297) EQS 450+ Premium Plus Saloon 210+RVT	Saloon	Electric	0	4%	2655	169	853	530	937	582
(V297) EQS 450+ Premium Plus Saloon 210+RRP-1	Saloon	Electric	0	4%	2664	169	854	531	934	580
(V297) EQS 450+ Premium Plus Saloon 210	Saloon	Electric	0	4%	2673	172	839	521	926	575
(V297) EQS 450+ Premium Plus Saloon P87+RQW-1	Saloon	Electric	0	4%	2631	169	851	529	944	587
(V297) EQS 450+ Premium Plus Saloon P87+RPF-1	Saloon	Electric	0	4%	2637	178	811	504	908	564
(V297) EQS 450+ Premium Plus Saloon P87+RVT	Saloon	Electric	0	4%	2612	166	867	539	953	592
(V297) EQS 450+ Premium Plus Saloon P87+RRP-1	Saloon	Electric	0	4%	2620	166	868	539	953	592
(V297) EQS 450+ Premium Plus Saloon P87	Saloon	Electric	0	4%	2630	169	853	530	945	587
(V297) EQS 450+ Premium Plus Saloon P87+210+RQW-1	Saloon	Electric	0	4%	2673	172	837	520	926	575
(V297) EQS 450+ Premium Plus Saloon P87+210+RPF-1	Saloon	Electric	0	4%	2679	181	796	495	889	552
(V297) EQS 450+ Premium Plus Saloon P87+210+RVT	Saloon	Electric	0	4%	2654	169	853	530	937	582
(V297) EQS 450+ Premium Plus Saloon P87+210+RRP-1	Saloon	Electric	0	4%	2654	169	853	530	937	582
(V297) EQS 450+ Premium Plus Saloon P87+210	Saloon	Electric	0	4%	2672	172	839	521	927	576
(V297) EQS 450+ Premium Plus Executive Saloon RQW-1	Saloon	Electric	0	4%	2639	170	848	527	941	585
(V297) EQS 450+ Premium Plus Executive Saloon RPF-1	Saloon	Electric	0	4%	2645	179	808	502	904	562
(V297) EQS 450+ Premium Plus Executive Saloon RVT	Saloon	Electric	0	4%	2620	166	864	537	952	592
(V297) EQS 450+ Premium Plus Executive Saloon RRP-1	Saloon	Electric	0	4%	2629	166	865	537	950	590
(V297) EQS 450+ Premium Plus Executive Saloon	Saloon	Electric	0	4%	2638	169	851	529	942	585

¹Figures shown are for comparability purposes; only compare with other cars tested to the same technical procedures. Figures may not reflect real life driving results, which will depend upon a number of factors including the starting charge of the battery, factory-fitted options, accessories fitted (post registration), variations in weather, driving styles and vehicle load. Further information about the test used to establish range, power consumption and CO₂ figures can be found at www.mercedes-benz.co.uk/WLTP.

Technical Data

Model Variant	Bodyshell	Fuel	WLTP CO2 Combined (g/km)	BIK Tax Rate	Kerb Weight (KG)	Energy Consumption Combined (Wh/km)	EAER Electric Range KM	EAER Electric Range MILES	EAER City Range Combined KM	EAER City Range Combined MILES
(V297) EQS 450+ Premium Plus Executive Saloon 210+RQW-1	Saloon	Electric	0	4%	2681	173	835	519	922	573
(V297) EQS 450+ Premium Plus Executive Saloon 210+RPF-1	Saloon	Electric	0	4%	2687	182	794	493	885	550
(V297) EQS 450+ Premium Plus Executive Saloon 210+RVT	Saloon	Electric	0	4%	2662	169	850	528	934	580
(V297) EQS 450+ Premium Plus Executive Saloon 210+RRP-1	Saloon	Electric	0	4%	2671	169	852	529	931	578
(V297) EQS 450+ Premium Plus Executive Saloon 210	Saloon	Electric	0	4%	2681	172	837	520	923	574
(V297) EQS 450+ Premium Plus Executive Saloon P87+RQW-1	Saloon	Electric	0	4%	2638	170	849	528	941	585
(V297) EQS 450+ Premium Plus Executive Saloon P87+RPF-1	Saloon	Electric	0	4%	2644	179	808	502	904	562
(V297) EQS 450+ Premium Plus Executive Saloon P87+RVT	Saloon	Electric	0	4%	2619	166	864	537	953	592
(V297) EQS 450+ Premium Plus Executive Saloon P87+RRP-1	Saloon	Electric	0	4%	2628	166	866	538	950	590
(V297) EQS 450+ Premium Plus Executive Saloon P87	Saloon	Electric	0	4%	2637	169	851	529	942	585
(V297) EQS 450+ Premium Plus Executive Saloon P87+210+RQW-1	Saloon	Electric	0	4%	2681	173	835	519	922	573
(V297) EQS 450+ Premium Plus Executive Saloon P87+210+RPF-1	Saloon	Electric	0	4%	2687	182	794	493	885	550
(V297) EQS 450+ Premium Plus Executive Saloon P87+210+RVT	Saloon	Electric	0	4%	2661	169	851	529	934	580
(V297) EQS 450+ Premium Plus Executive Saloon P87+210+RRP-1	Saloon	Electric	0	4%	2670	169	852	529	931	578
(V297) EQS 450+ Premium Plus Executive Saloon P87+210	Saloon	Electric	0	4%	2680	172	837	520	923	574
(V297) EQS 450+ Premium Plus Executive Saloon DR1+RQW-1	Saloon	Electric	0	4%	2649	171	845	525	937	582
(V297) EQS 450+ Premium Plus Executive Saloon DR1+RPF-1	Saloon	Electric	0	4%	2654	179	805	500	900	559
(V297) EQS 450+ Premium Plus Executive Saloon DR1+RVT-1	Saloon	Electric	0	4%	2629	167	861	535	948	589
(V297) EQS 450+ Premium Plus Executive Saloon DR1+RRP-1	Saloon	Electric	0	4%	2638	167	863	536	945	587
(V297) EQS 450+ Premium Plus Executive Saloon DR1	Saloon	Electric	0	4%	2648	170	848	527	938	583
(V297) EQS 450+ Premium Plus Executive Saloon DR1+210	Saloon	Electric	0	4%	2690	172	834	518	923	574
(V297) EQS 450+ Premium Plus Executive Saloon DR1+210+RPF-1	Saloon	Electric	0	4%	2697	183	791	492	881	547
(V297) EQS 450+ Premium Plus Executive Saloon DR1+210+RVT	Saloon	Electric	0	4%	2672	187	848	527	929	577
(V297) EQS 450+ Premium Plus Executive Saloon DR1+210+RRP-1	Saloon	Electric	0	4%	2681	187	849	528	927	576
(V297) EQS 450+ Premium Plus Executive Saloon DR1+P87+RQW-1	Saloon	Electric	0	4%	2648	187	846	526	937	582
(V297) EQS 450+ Premium Plus Executive Saloon DR1+RPF-1+P87	Saloon	Electric	0	4%	2654	179	805	500	900	559
(V297) EQS 450+ Premium Plus Executive Saloon DR1+RVT-1+P87	Saloon	Electric	0	4%	2628	167	862	536	948	589
(V297) EQS 450+ Premium Plus Executive Saloon DR1+RRP-1+P87	Saloon	Electric	0	4%	2637	167	863	536	946	588
(V297) EQS 450+ Premium Plus Executive Saloon DR1+P87	Saloon	Electric	0	4%	2647	170	848	527	938	583
(V297) EQS 450+ Premium Plus Executive Saloon DR1+P87+210+RQW-1	Saloon	Electric	0	4%	2690	173	832	517	918	570
(V297) EQS 450+ Premium Plus Executive Saloon DR1+RPF-1+P87+210	Saloon	Electric	0	4%	2696	182	791	492	881	547
(V297) EQS 450+ Premium Plus Executive Saloon DR1+RVT-1+P87+210	Saloon	Electric	0	4%	2671	170	848	527	930	578
(V297) EQS 450+ Premium Plus Executive Saloon DR1+RRP-1+P87+210	Saloon	Electric	0	4%	2680	170	849	528	927	576
(V297) EQS 450+ Premium Plus Executive Saloon DR1+P87+210	Saloon	Electric	0	4%	2689	173	834	518	919	571

¹Figures shown are for comparability purposes; only compare with other cars tested to the same technical procedures. Figures may not reflect real life driving results, which will depend upon a number of factors including the starting charge of the battery, factory-fitted options, accessories fitted (post registration), variations in weather, driving styles and vehicle load. Further information about the test used to establish range, power consumption and CO₂ figures can be found at www.mercedes-benz.co.uk/WLTP.

Technical Data

Model Variant	Bodyshell	Fuel	WLTP CO2 Combined (g/km)	BIK Tax Rate	Kerb Weight (KG)	Energy Consumption Combined (Wh/km)	EAER Electric Range KM	EAER Electric Range MILES	EAER City Range Combined KM	EAER City Range Combined MILES
EQS 580 4MATIC										
(V297) EQS 580 4MATIC Premium Saloon RVT	Saloon	Electric	0	4%	2708	169	845	525	925	575
(V297) EQS 580 4MATIC Premium Saloon RPF	Saloon	Electric	0	4%	2733	180	795	494	881	547
(V297) EQS 580 4MATIC Premium Saloon RQW	Saloon	Electric	0	4%	2727	172	831	516	914	568
(V297) EQS 580 4MATIC Premium Saloon	Saloon	Electric	0	4%	2717	168	847	526	922	573
(V297) EQS 580 4MATIC Premium Saloon RWQ	Saloon	Electric	0	4%	2727	171	833	518	915	569
(V297) EQS 580 4MATIC Premium Saloon 210+RVT	Saloon	Electric	0	4%	2751	171	833	518	907	564
(V297) EQS 580 4MATIC Premium Saloon 210+RPF	Saloon	Electric	0	4%	2776	183	782	486	863	536
(V297) EQS 580 4MATIC Premium Saloon 210+RQW	Saloon	Electric	0	4%	2770	175	818	508	897	557
(V297) EQS 580 4MATIC Premium Saloon 210	Saloon	Electric	0	4%	2759	171	834	518	905	562
(V297) EQS 580 4MATIC Premium Saloon 210+RWQ	Saloon	Electric	0	4%	2769	174	821	510	898	558
(V297) EQS 580 4MATIC Premium Plus Saloon RQW-1	Saloon	Electric	0	4%	2742	173	827	514	908	564
(V297) EQS 580 4MATIC Premium Plus Saloon RPF-1	Saloon	Electric	0	4%	2747	181	791	492	875	544
(V297) EQS 580 4MATIC Premium Plus Saloon RVT	Saloon	Electric	0	4%	2722	169	842	523	919	571
(V297) EQS 580 4MATIC Premium Plus Saloon RRP-1	Saloon	Electric	0	4%	2731	169	843	524	917	570
(V297) EQS 580 4MATIC Premium Plus Saloon	Saloon	Electric	0	4%	2741	172	829	515	909	565
(V297) EQS 580 4MATIC Premium Plus Saloon 210+RQW-1	Saloon	Electric	0	4%	2784	176	815	506	891	554
(V297) EQS 580 4MATIC Premium Plus Saloon 210+RPF-1	Saloon	Electric	0	4%	2790	184	778	483	858	533
(V297) EQS 580 4MATIC Premium Plus Saloon 210+RVT	Saloon	Electric	0	4%	2765	172	829	515	902	560
(V297) EQS 580 4MATIC Premium Plus Saloon 210+RRP-1	Saloon	Electric	0	4%	2774	172	830	516	899	559
(V297) EQS 580 4MATIC Premium Plus Saloon 210	Saloon	Electric	0	4%	2783	175	817	508	892	554
(V297) EQS 580 4MATIC Premium Plus Saloon P87+RQW-1	Saloon	Electric	0	4%	2741	173	827	514	909	565
(V297) EQS 580 4MATIC Premium Plus Saloon P87+RPF-1	Saloon	Electric	0	4%	2747	181	791	492	875	544
(V297) EQS 580 4MATIC Premium Plus Saloon P87+RVT	Saloon	Electric	0	4%	2722	169	842	523	919	571
(V297) EQS 580 4MATIC Premium Plus Saloon P87+RRP-1	Saloon	Electric	0	4%	2730	169	843	524	917	570
(V297) EQS 580 4MATIC Premium Plus Saloon P87	Saloon	Electric	0	4%	2740	172	829	515	910	565
(V297) EQS 580 4MATIC Premium Plus Saloon P87+210+RQW-1	Saloon	Electric	0	4%	2783	176	815	506	892	554
(V297) EQS 580 4MATIC Premium Plus Saloon P87+210+RPF-1	Saloon	Electric	0	4%	2789	184	778	483	858	533
(V297) EQS 580 4MATIC Premium Plus Saloon P87+210+RVT	Saloon	Electric	0	4%	2764	172	829	515	902	560
(V297) EQS 580 4MATIC Premium Plus Saloon P87+210+RRP-1	Saloon	Electric	0	4%	2773	172	831	516	900	559
(V297) EQS 580 4MATIC Premium Plus Saloon P87+210	Saloon	Electric	0	4%	2782	175	817	508	892	554
(V297) EQS 580 4MATIC Premium Plus Executive Saloon RQW-1	Saloon	Electric	0	4%	2749	173	825	513	905	562
(V297) EQS 580 4MATIC Premium Plus Executive Saloon RPF-1	Saloon	Electric	0	4%	2755	182	789	490	872	542
(V297) EQS 580 4MATIC Premium Plus Executive Saloon RVT	Saloon	Electric	0	4%	2730	170	840	522	916	569
(V297) EQS 580 4MATIC Premium Plus Executive Saloon RRP-1	Saloon	Electric	0	4%	2739	170	841	523	914	568
(V297) EQS 580 4MATIC Premium Plus Executive Saloon	Saloon	Electric	0	4%	2748	173	827	514	906	563

¹Figures shown are for comparability purposes; only compare with other cars tested to the same technical procedures. Figures may not reflect real life driving results, which will depend upon a number of factors including the starting charge of the battery, factory-fitted options, accessories fitted (post registration), variations in weather, driving styles and vehicle load. Further information about the test used to establish range, power consumption and CO₂ figures can be found at www.mercedes-benz.co.uk/WLTP.

Technical Data

Model Variant	Bodyshell	Fuel	WLTP CO2 Combined (g/km)	BIK Tax Rate	Kerb Weight (KG)	Energy Consumption Combined (Wh/km)	EAER Electric Range KM	EAER Electric Range MILES	EAER City Range Combined KM	EAER City Range Combined MILES
(V297) EQS 580 4MATIC Premium Plus Executive Saloon 210+RQW-1	Saloon	Electric	0	4%	2791	176	813	505	888	552
(V297) EQS 580 4MATIC Premium Plus Executive Saloon 210+RPF-1	Saloon	Electric	0	4%	2797	185	776	482	855	531
(V297) EQS 580 4MATIC Premium Plus Executive Saloon 210+RVT	Saloon	Electric	0	4%	2772	173	827	514	899	559
(V297) EQS 580 4MATIC Premium Plus Executive Saloon 210+RRP-1	Saloon	Electric	0	4%	2781	173	828	514	897	557
(V297) EQS 580 4MATIC Premium Plus Executive Saloon 210	Saloon	Electric	0	4%	2791	176	815	506	889	552
(V297) EQS 580 4MATIC Premium Plus Executive Saloon P87+RQW-1	Saloon	Electric	0	4%	2748	173	825	513	906	563
(V297) EQS 580 4MATIC Premium Plus Executive Saloon P87+RPF-1	Saloon	Electric	0	4%	2754	182	789	490	872	542
(V297) EQS 580 4MATIC Premium Plus Executive Saloon P87+RVT	Saloon	Electric	0	4%	2729	170	840	522	916	569
(V297) EQS 580 4MATIC Premium Plus Executive Saloon P87+RRP-1	Saloon	Electric	0	4%	2738	170	841	523	914	568
(V297) EQS 580 4MATIC Premium Plus Executive Saloon P87	Saloon	Electric	0	4%	2747	173	827	514	907	564
(V297) EQS 580 4MATIC Premium Plus Executive Saloon P87+210+RQW-1	Saloon	Electric	0	4%	2791	176	813	505	889	552
(V297) EQS 580 4MATIC Premium Plus Executive Saloon P87+210+RPF-1	Saloon	Electric	0	4%	2797	185	776	482	855	531
(V297) EQS 580 4MATIC Premium Plus Executive Saloon P87+210+RVT	Saloon	Electric	0	4%	2771	173	827	514	899	559
(V297) EQS 580 4MATIC Premium Plus Executive Saloon P87+210+RRP-1	Saloon	Electric	0	4%	2780	173	829	515	897	557
(V297) EQS 580 4MATIC Premium Plus Executive Saloon P87+210	Saloon	Electric	0	4%	2790	176	815	506	890	553
(V297) EQS 580 4MATIC Premium Plus Executive Saloon DR1+RQW-1	Saloon	Electric	0	4%	2759	174	822	511	902	560
(V297) EQS 580 4MATIC Premium Plus Executive Saloon DR1+RPF-1	Saloon	Electric	0	4%	2764	182	786	488	868	539
(V297) EQS 580 4MATIC Premium Plus Executive Saloon DR1+RVT-1	Saloon	Electric	0	4%	2739	171	837	520	912	567
(V297) EQS 580 4MATIC Premium Plus Executive Saloon DR1+RRP-1	Saloon	Electric	0	4%	2748	170	838	521	910	565
(V297) EQS 580 4MATIC Premium Plus Executive Saloon DR1	Saloon	Electric	0	4%	2758	173	825	513	903	561
(V297) EQS 580 4MATIC Premium Plus Executive Saloon DR1+210+RQW-1	Saloon	Electric	0	4%	2801	177	810	503	885	550
(V297) EQS 580 4MATIC Premium Plus Executive Saloon DR1+210+RPF-1	Saloon	Electric	0	4%	2807	185	773	480	851	529
(V297) EQS 580 4MATIC Premium Plus Executive Saloon DR1+210+RVT	Saloon	Electric	0	4%	2782	173	824	512	895	556
(V297) EQS 580 4MATIC Premium Plus Executive Saloon DR1+210+RRP-1	Saloon	Electric	0	4%	2791	173	826	513	893	555
(V297) EQS 580 4MATIC Premium Plus Executive Saloon DR1+210	Saloon	Electric	0	4%	2800	176	812	505	885	550
(V297) EQS 580 4MATIC Premium Plus Executive Saloon DR1+P87+RQW-1	Saloon	Electric	0	4%	2758	174	823	511	902	560
(V297) EQS 580 4MATIC Premium Plus Executive Saloon DR1+RPF-1+P87	Saloon	Electric	0	4%	2764	182	786	488	869	540
(V297) EQS 580 4MATIC Premium Plus Executive Saloon DR1+RVT-1+P87	Saloon	Electric	0	4%	2738	171	837	520	912	567
(V297) EQS 580 4MATIC Premium Plus Executive Saloon DR1+RRP-1+P87	Saloon	Electric	0	4%	2747	170	839	521	910	565
(V297) EQS 580 4MATIC Premium Plus Executive Saloon DR1+P87	Saloon	Electric	0	4%	2757	173	825	513	903	561
(V297) EQS 580 4MATIC Premium Plus Executive Saloon DR1+P87+210+RQW-1	Saloon	Electric	0	4%	2800	177	810	503	885	550
(V297) EQS 580 4MATIC Premium Plus Executive Saloon DR1+RPF-1+P87+210	Saloon	Electric	0	4%	2806	185	773	480	851	529
(V297) EQS 580 4MATIC Premium Plus Executive Saloon DR1+RVT-1+P87+210	Saloon	Electric	0	4%	2781	173	825	513	895	556
(V297) EQS 580 4MATIC Premium Plus Executive Saloon DR1+RRP-1+P87+210	Saloon	Electric	0	4%	2790	173	826	513	893	555
(V297) EQS 580 4MATIC Premium Plus Executive Saloon DR1+P87+210	Saloon	Electric	0	4%	2799	176	812	505	886	551

¹Figures shown are for comparability purposes; only compare with other cars tested to the same technical procedures. Figures may not reflect real life driving results, which will depend upon a number of factors including the starting charge of the battery, factory-fitted options, accessories fitted (post registration), variations in weather, driving styles and vehicle load. Further information about the test used to establish range, power consumption and CO₂ figures can be found at www.mercedes-benz.co.uk/WLTP.



Effective from July 2026 production. Information correct at time of publication 14.04.2026. Prices and specifications are subject to change without prior notice.