



The EQE SUV

Effective from July 2026 Production.

Mercedes-Benz





Book a test drive



Find your EQE SUV



Find a Showroom



Design	Technology	Safety	Model lines and upholstery	Model prices	Mercedes-AMG and upholstery	Mercedes-AMG prices	Personalisation	Standard equipment	Technical data	Additional information
--------	------------	--------	----------------------------	--------------	-----------------------------	---------------------	-----------------	--------------------	----------------	------------------------



Book a test drive



Find your EQE SUV



Find a Showroom



Design	Technology	Safety	Model lines and upholstery	Model prices	Mercedes-AMG and upholstery	Mercedes-AMG prices	Personalisation	Standard equipment	Technical data	Additional information
--------	------------	--------	----------------------------	--------------	-----------------------------	---------------------	-----------------	--------------------	----------------	------------------------

EQE SUV

Technology



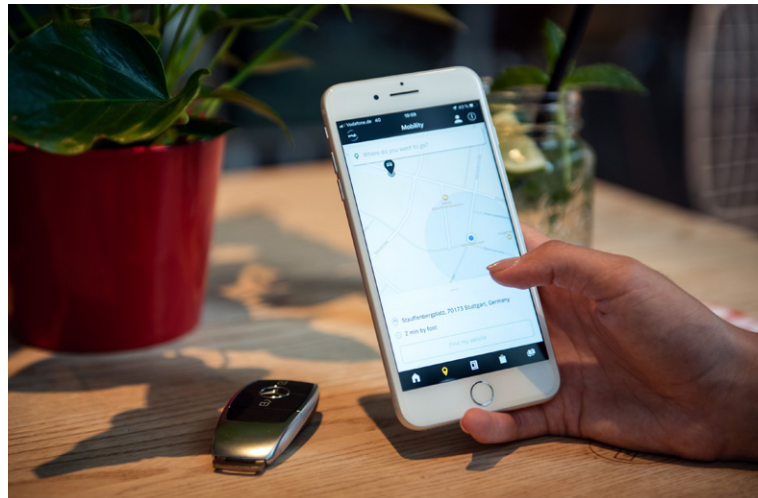
Design	Technology	Safety	Model lines and upholstery	Model prices	Mercedes-AMG and upholstery	Mercedes-AMG prices	Personalisation	Standard equipment	Technical data	Additional information
------------------------	----------------------------	------------------------	--	------------------------------	---	-------------------------------------	---------------------------------	------------------------------------	--------------------------------	--

Digital Extras Stay connected any time, anywhere

Digital Extras are a range of innovative online services designed to enhance your Mercedes-Benz experience. Accessible via mobile, tablet or PC, Digital Extras let you enjoy the highest standards of care and support, in a way that integrates seamlessly with your busy lifestyle.

Safety and Service – Digital Extras help to keep you and your car safe

Check your car's washer fluid level, tyre pressure and battery level from your phone so you'll be ready for every journey.



Live Traffic Information, Parked Vehicle Locator and much more

Forgot where you've parked? Parked Vehicle Locator¹ will show you exactly where your car is as long as you're in a 1-mile radius of where you parked. Real-time traffic data and dynamic route with shorter journey times.

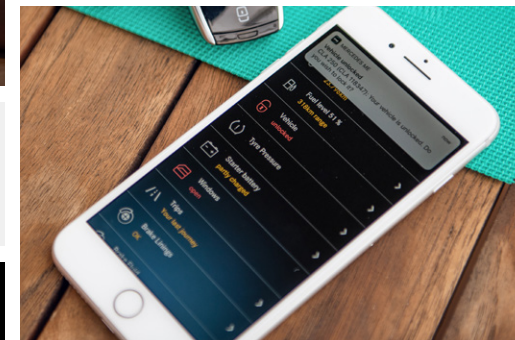
For more information speak to your local Mercedes-Benz Agent or visit the Mercedes-Benz store at shop.mercedes-benz.com/en-gb/connect

Comfort – connect to your car anytime, anywhere

Forgot to lock your car? With Remote Car Lock² you will receive a notification on your smartphone to let you know. With one tap, you can lock and unlock your vehicle so you never have to worry.

Specific services for all-electric vehicles from Mercedes-Benz

Check your charging status on the go and programme your pre-entry climate control and charging settings remotely. The specific navigation services for all-electric vehicles from Mercedes-Benz consider electrical range, topography and charging stations.



The connection of the communication module to the mobile phone network including the emergency call system depends on the respective network coverage and availability of network providers

¹Available on all models with the Vehicle Monitoring package. This option may vary between standard and additional cost dependent on the model

²Part of the Vehicle Status package. This option may vary between standard and additional cost dependent on the model

Images shown are for illustration purposes only

Design	Technology	Safety	Model lines and upholstery	Model prices	Mercedes-AMG and upholstery	Mercedes-AMG prices	Personalisation	Standard equipment	Technical data	Additional information
--------	------------	--------	----------------------------	--------------	-----------------------------	---------------------	-----------------	--------------------	----------------	------------------------

Mercedes-Benz User Experience (MBUX)

Transforming the in-car user experience, thanks to MBUX: Controlled via voice, touch or gesture (where fitted) input, the innovative infotainment system can over time even predict personal habits thanks to artificial intelligence.

Voice control

- Activated by the keywords “Hey Mercedes”, the new intelligent voice control LINGUATRONIC¹ lets you control many of the infotainment functions, including destination input, phone calls or music selection
- MBUX is able to understand different accents and will adjust to you over time
- MBUX even understands indirect commands. Feeling chilly? Just say “I feel cold” and MBUX will adjust the temperature for you
- MBUX is able to understand which individual seat the request has come from, and will therefore only respond to their specific request (e.g. adjusting the temperature for just the front passenger)

Touch inputs

- Beside voice control you can operate MBUX via touchscreen, the touch controls on the centre console, as well as touch control buttons on the steering wheel

Personalisation

- Turn the EQE SUV into your very own Mercedes-Benz by personalising driving modes, radio stations, ambient lighting and much more
- Your personal settings can be saved in up to seven different profiles, making your driving experience the best one possible
- Thanks to artificial intelligence, MBUX is able to learn and adapt over time. It will be able to predict your personal habits, such as navigation for frequently-driven routes, or the radio station you like to listen to on your way home from work

Maintenance and service

- Wondering when the next service is due? Or how much further you can drive until you need to stop at a charging station? Just ask your MBUX – it will tell you the answer



The connection of the communication module to the mobile phone network including the emergency call system depends on the respective network coverage and availability of network providers

¹LINGUATRONIC off-board functions are currently only available for three years

Design	Technology	Safety	Model lines and upholstery	Model prices	Mercedes-AMG and upholstery	Mercedes-AMG prices	Personalisation	Standard equipment	Technical data	Additional information
--------	------------	--------	----------------------------	--------------	-----------------------------	---------------------	-----------------	--------------------	----------------	------------------------

[Book a test drive](#)[Find your EQE SUV](#)[Find a Showroom](#)

EQE SUV

Vehement power immediately from standstill: An electric motor at the rear axle converts electrical into mechanical energy, and delivers impressive forward thrust. The intelligent operating strategy of the powertrain components supplies the power always wherever it is needed at the moment – efficiently and nearly silently.

EQE 350+

Battery electric vehicle, 320 hp/235 kW
Electric range: up to 372 miles – WLTP

OTR from **£76,870¹**

EQE 350 4MATIC

Battery electric vehicle, 320 hp/235 kW
Electric range: up to 337 miles – WLTP

OTR from **£81,370¹**

EQE 500 4MATIC

Battery electric vehicle, 449 hp/330 kW
Electric range: up to 360 miles – WLTP

OTR from **£91,935¹**

Mercedes-AMG EQE 53 4MATIC+

Battery electric vehicle, 625 hp/460 kW
Electric range: up to 279 miles – WLTP

OTR from **£115,495¹**



Standard equipment

Charging cable for wallbox and public charging stations, Type 2 (Mode 3) – 7 metres
Charging socket

Comfort suspension
Charging system rated at 22 kW AC
Charging system rated at 170 kW DC

Pre-entry climate control²
Radar-based recuperation

Technical details

Electric range ³	377-256 miles
Charging time	
Public Rapid charger (170 kW DC) 10-80% ⁴	32 mins
Wallbox, Mode 3 (22 kW AC) 10-100% ⁵	4 hrs 45 mins – 5 hrs 15 mins
Home Wallbox (7.4kW AC) 10-100% ⁵	14 hrs 15 mins – 15 hrs
Electric energy consumption, combined ^{3e}	185-252 Wh/km
Battery type (usable)	lithium-ion (90-96 kWh)
Capacity on-board charger	22 kW AC; 170 kW DC

Attention

Please be aware that external factors such as weather, gradient and ambient temperature amongst others can significantly impact range.

Please also note that internal factors such as driving style and climate control settings etc. can also significantly impact range.

Using the pre-entry climate control² when plugged into a charge point will ensure the perfect ambience and ensure that your car is just how you like it, as well as making sure that your battery isn't used unnecessarily to heat/cool the vehicle (maximising range).

¹The recommended on-the-road price includes the Road Fund Licence applicable to the standard model plus delivery charge (£780.00 incl. VAT), new vehicle registration fee (£55.00) and number plates (£25.00 incl. VAT). VAT is calculated at the standard rate of 20%. Some of the model features, optional extras and colours shown may not be available, or may only be available in a different specification, or at a different price. ²The connection of the communication module to the mobile phone network including the emergency call system depends on the respective network coverage and availability of network providers.

³Figures shown are for comparability purposes; only compare with other cars tested to the same technical procedures. Figures may not reflect real life driving results, which will depend upon a number of factors including the starting charge of the battery, factory-fitted options, accessories fitted (post registration), variations in weather, driving styles and vehicle load. Further information about the test used to establish range, power consumption and CO₂ figures can be found at <http://www.mercedes-benz.co.uk/WLTP>. ⁴Specified voltage and current values refer to network infrastructure and can be limited by the vehicle. Times are from 10-80% charge using public rapid charging at 200 kW. ⁵Specified voltage and current values refer to network infrastructure and can be limited by the vehicle. Times are from 10-100% charge using a wallbox (three-phase) or standard socket (single-phase). ⁶Specified voltage and current values refer to network infrastructure and can be limited by the vehicle.

MB.CHARGE Public¹ One registration, one contract, one billing

MB.CHARGE Public¹ provides access to a multitude of public charging stations located in shopping centres, hotels or at motorway services. A smartphone app as well as the vehicle's navigation system show the precise location, current availability and price at the selected charging station.

MB.CHARGE Public – Private customer

Tens of thousands charging stations in the UK

Growing network of charging providers includes bp pulse the largest charging network in the UK.



Access to fast-charging stations

Enables customers to get access to charging stations of different providers with:

- Mercedes-Benz app
- RFID card
- Vehicle Head unit

Green charging

All charging using MB.CHARGE Public¹ will be retrospectively 'greened' by Mercedes-Benz.

Transparent and easy billing

One invoice charging processes for payment.

Easy access

Charging stations are displayed in Mercedes-Benz app and in MBUX multimedia system.

No fees

Enjoy free access to MB.CHARGE Public's convenient, reliable, and user-friendly charging network.

MB.CHARGE Public – Business customer

Key features

- All MB.CHARGE Public Private customer features²
- Charging fleet portal
- Company payment and billing
- Flexible prices per kWh



¹The connection of the communication module to the mobile phone network including the emergency call system depends on the respective network coverage and availability of network providers

²Excluding MB.CHARGE Public Private customer tariffs

Design	Technology	Safety	Model lines and upholstery	Model prices	Mercedes-AMG and upholstery	Mercedes-AMG prices	Personalisation	Standard equipment	Technical data	Additional information
--------	------------	--------	----------------------------	--------------	-----------------------------	---------------------	-----------------	--------------------	----------------	------------------------

MB.CHARGE Public¹ Private customer tariffs²

Charge smarter with our Preferred Partner Network and access exclusive savings with lower rates on Tariff L and M compared to standard tariffs. Owners of a new all-electric model will be entitled to the MB.CHARGE Public¹ tariff L free of charge for the duration of 3 months.²

Tariff L²

Recommended for 'frequent drivers'

Owners of a new all-electric model are entitled to the tariff L free of charge for 3 months, benefitting from the best exclusive savings of our tariffs as well as all MB.CHARGE Public¹ features. This tariff is recommended for frequent and long-distance drivers.

Consisting of:

- All MB.CHARGE Public¹ features
- Fixed prices per kWh
 - IONITY: £0.55/kWh
 - bp pulse, Be.EV and Smart Charge: £0.59/kWh + £0.17/min after 90 mins
- 15% discount across the rest of the MB.CHARGE Network

Free of charge for the duration of 3 months.²

**Thereafter:
£9.90/month**

Tariff M²

Recommended for 'regular drivers'

Should you wish to downgrade your tariff package after 3 months, tariff M offers discounted pricing across our Preferred Partner Network, recommended for regular drivers.

Consisting of:

- All MB.CHARGE Public¹ features
- Fixed prices per kWh
 - IONITY: £0.62/kWh
 - bp pulse, Be.EV and Smart Charge: £0.69/kWh + £0.17/min after 90 mins
- 10% discount across the rest of the MB.CHARGE Network

£4.90/month

Tariff S²

Recommended for 'casual drivers'

Should you wish to downgrade your tariff package after 3 months, tariff S offers all MB.CHARGE Public¹ features with flexible pay-per-use pricing across the entire network. This tariff is recommended for casual drivers.

Consisting of:

- All MB.CHARGE Public¹ features
- Flexible prices per kWh depending on provider

£0/month



¹The connection of the communication module to the mobile phone network including the emergency call system depends on the respective network coverage and availability of network providers. Price information is not guaranteed and is subject to change. Please be aware that this tariff will automatically renew after the 3 month promotion period - for definitive pricing information or should you not wish to continue with the tariff, your cancellation rights and current pricing can be found <https://eu.charge.mercedes-benz.com/web/en/mb-gb/tariffs>

²This offer is exclusively for consumers. The distinction between consumer and business is determined by the type of vehicle linkage (private profile or company profile)

Design	Technology	Safety	Model lines and upholstery	Model prices	Mercedes-AMG and upholstery	Mercedes-AMG prices	Personalisation	Standard equipment	Technical data	Additional information
--------	------------	--------	----------------------------	--------------	-----------------------------	---------------------	-----------------	--------------------	----------------	------------------------

Next generation of home EV charging with Ohme

Mercedes-Benz plug-in vehicle customers with off-street parking can benefit from the convenience and speed of charging at home by installing an Ohme charger.

Home charging with Ohme: from £925* incl. VAT and standard installation

Key benefits of Ohme:

Ohme specialise in providing future-proof electric vehicle charging solutions, in particular smart, affordable and easy-to-use charging products.

Save money: If you have a time-of-use tariff or a variable tariff, you'll pay less for your electricity at certain times of the day. Ohme uses your tariff information to charge your vehicle when the price is low to maximise your savings.

Ohme is the only EV charging provider to integrate with all energy tariffs, including Intelligent Octopus and OVO Charge Anytime – the next generation, smart EV charging tariffs.

Easy installation process.

Choice of tethered or untethered units.

Award-winning customer service – check Trustpilot for more information.

A 3-year warranty is included.

Connect your charger to the Ohme smartphone app to unlock smarter and cheaper charging at home. Easy-to-use, the Ohme app will give you full control to get more from your EV.

Ohme's chargers are compliant with the UK New Smart Charger Regulations for complete peace of mind.

OZEV Grant:

You may be entitled to claim an OZEV grant towards the cost of your home charger!¹ To check your eligibility, simply contact your local Mercedes-Benz Agent.

Questions?

Need help with home charging solutions? Simply contact your nearest Mercedes-Benz Agent – they'll be happy to submit an enquiry to your preferred charging partner on your behalf.

Warning!

If you are planning to charge your Mercedes-Benz plug-in electric vehicle using a 3-pin domestic plug socket you must get a qualified electrician to inspect and sign off the socket to confirm it is safe and suitable to charge your vehicle. Do not use an electric vehicle 3-pin charge cable with an extension cord.



*Price excludes £500 OZEV EVHS Grant. Price correct at time of publication, subject to change ¹The home charger £500 Grant (including VAT) is only available to customers who meet the criteria of the Office for Zero Emission Vehicles (OZEV). Full details and eligibility criteria for the OZEV EVHS Grant can be found [here](#)

Home charging with Pod Simple, convenient, fast charging



Mercedes-Benz plug-in vehicle customers with off-street parking can benefit from the convenience and speed of charging at home by installing a Pod Point home charger.

Home charging with Pod from £899* inc. VAT and standard installation¹ or £0 Pod Drive sign-up fee

Pod Drive

Pod Drive is a new all-inclusive subscription service to spread the cost of installing a homecharger. £0 sign-up fee for Mercedes-Benz customers (usually £99) and £40 a month for 3 years. The service includes additional benefits such as 7,500 miles a year in cashback and enhanced warranty cover.

Key benefits of Pod:

Pod is one of the leading provider of EV charging in the UK with over 250,000 home chargepoints installed.

Auto Power Balancing lets you adjust your charge so that your electrical supply doesn't get overloaded when your home is using a lot of energy.

Built-in earthing protection removes the needs for expensive earth rods.

Buy a Pod Point for a discounted cost of £899 for an untethered and £949 for a tethered. Or, sign up for Pod Drive with a £0 sign-up fee.

The Pod public network consists of over 9,200 charging bays across the UK.

5 year warranty as standard, free of charge.

The standard installation package includes up to 15m of external cabling.

OZEV Grant:

You may be entitled to claim an OZEV grant towards the cost of your home charger.² To check your eligibility, simply contact your local Mercedes-Benz Agent.

Questions?

Need help with home charging solutions? Simply contact your nearest Mercedes-Benz Agent – they'll be happy to submit an enquiry to your preferred charging partner on your behalf.

Warning!

If you are planning to charge your Mercedes-Benz plug-in electric vehicle using a 3-pin domestic plug socket you must get a qualified electrician to inspect and sign off the socket to confirm it is safe and suitable to charge your vehicle. Do not use an electric vehicle 3-pin charge cable with an extension cord.



*Price excludes £500 OZEV EVHS Grant. Price correct at time of publication, subject to change ¹Full terms and conditions of home charging with Pod can be found [here](#) ²The home charger £500 Grant (including VAT) is only available to customers who meet the criteria of the Office for Zero Emission Vehicles (OZEV). Full details and eligibility criteria for the OZEV EVHS Grant can be found [here](#)



Book a test drive



Find your EQE SUV



Find a Showroom

EQE SUV

Safety

Design

Technology

Safety

Model lines
and upholstery

Model prices

Mercedes-AMG
and upholstery

Mercedes-AMG
prices

Personalisation

Standard
equipment

Technical data

Additional
information

DIGITAL LIGHT

High-definition headlamps with innovative features

● Standard – Not available

The new innovative DIGITAL LIGHT headlamps works like a projector with more than one million pixels per headlamp and responds with brilliant light to changing traffic, road or weather conditions. Its ULTRA RANGE Highbeam with 650 m makes you feel like driving at daylight.

Model line	DIGITAL LIGHT with pre-installation for projection function ¹	DIGITAL LIGHT with projection function
AMG Line	–	–
AMG Line Night Edition Premium	●	–
AMG Line Night Edition Premium Plus	●	–
Mercedes-AMG Night Edition	–	●
Mercedes-AMG Night Edition Premium Plus	–	●

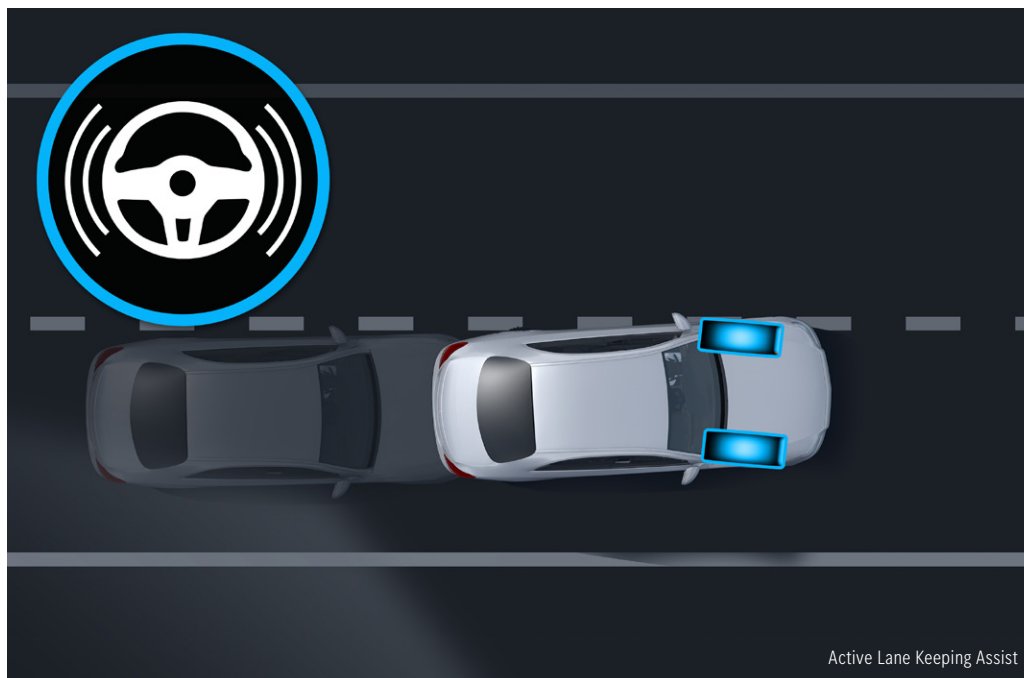


¹Downloadable from Mercedes-Benz store

Driving Assistance package Plus Cares for what matters

The EQE SUV comes with standard ground-breaking innovations in safety, comfort and driving functions, to help you stay safe on the road.

Driving Assistance package Plus¹ (code P20) – designed and priced as a package **Standard on all models except AMG Line**



Active Blind Spot Assist expanded with blind spot monitoring towards the front and side. Additional hazard indication of the blind spot warning system as well as exit warning function

Active Brake Assist with cross-traffic function with turning manoeuvre function (responding to (among other things) crossing pedestrians when making a turn). Operating range on urban routes expanded to 74 mph (previously 44 mph)

Active Distance Assist DISTRONIC responds to stationary road users to prevent collisions up to 80 mph (previously 37 mph)

Active Emergency Stop Assist: able to assist in manual mode (previously on in DISTRONIC mode). Optional lane change by one lane (at 49 mph where no obstacles detected)

Active Evasive Steering Assist: responds to cyclists and ends of tailbacks in addition to pedestrians. Operating range on urban routes expanded to 67 mph (previously 44 mph)

Active Lane Keeping Assist with enhanced comfort thanks to active steering intervention (instead of braking intervention) and additional hazard indication

Active Speed Limit Assist ensures detected speed limits are automatically adopted as the set speed for Active Distance Assist DISTRONIC

Active Traffic Sign Assist

Congestion emergency braking function

Emergency corridor function

Exit warning function when hand moves towards the door handles

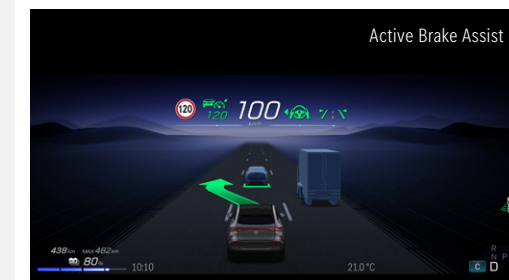
Extended automatic restart on motorways

Hazard display via ambience lighting

Increased availability and cornering performance on carriageways with **Active Steering Assist**, more stern warnings to put hands on the steering wheel with new capacitive steering wheel

PRE-SAFE® PLUS and Impulse Side with body-raising function: when a rear-end collision threatens, PRE-SAFE® PLUS can initiate preventive measures, including warning following traffic and locking the brakes on standstill

Route-based speed adjustment with end of traffic jam function and Active Stop-and-Go Assist adaption of speed before curves, roundabouts and junctions with end of traffic jam function



¹Our driver assistance and safety systems are aids and do not relieve you of your responsibility as the driver. Please take note of the information in the Owner's Manual and the system limits which are described therein

Design	Technology	Safety	Model lines and upholstery	Model prices	Mercedes-AMG and upholstery	Mercedes-AMG prices	Personalisation	Standard equipment	Technical data	Additional information
--------	------------	--------	----------------------------	--------------	-----------------------------	---------------------	-----------------	--------------------	----------------	------------------------



Book a test drive



Find your EQE SUV



Find a Showroom

EQE SUV Model lines overview



AMG Line »



AMG Line Night Edition Premium »



AMG Line Night Edition Premium Plus »

Design	Technology	Safety	Model lines and upholstery	Model prices	Mercedes-AMG and upholstery	Mercedes-AMG prices	Personalisation	Standard equipment	Technical data	Additional information
--------	------------	--------	----------------------------	--------------	-----------------------------	---------------------	-----------------	--------------------	----------------	------------------------

EQE SUV AMG Line



Obsidian black shown (standard)

Where style meets performance

Introducing the AMG Line, equipped with striking 21" AMG alloy wheels featuring a sleek multi-spoke design with a high-gloss black finish, this model ensures a commanding presence on the road, while the panoramic sunroof invites you to embrace the open sky. With its AMG Line exterior, LED headlamps with Adaptive Highbeam Assist, and iconic radiator grille displaying the Mercedes-Benz star pattern, every detail exudes sophistication.

Inside, enjoy comfort seats upholstered in luxurious leather, complemented by a multifunction sports steering wheel crafted from nappa leather. Plus, the convenience of the KEYLESS-GO Comfort package adds a touch of modern luxury to your driving experience.

EQE AMG Line

OTR from £76,870¹

¹The recommended on-the-road price includes the Road Fund Licence applicable to the standard model plus delivery charge (£780.00 incl. VAT), new vehicle registration fee (£55.00) and number plates (£25.00 incl. VAT). VAT is calculated at the standard rate of 20%. Some of the model features, optional extras and colours shown may not be available, or may only be available in a different specification, or at a different price

Design	Technology	Safety	Model lines and upholstery	Model prices	Mercedes-AMG and upholstery	Mercedes-AMG prices	Personalisation	Standard equipment	Technical data	Additional information
--------	------------	--------	----------------------------	--------------	-----------------------------	---------------------	-----------------	--------------------	----------------	------------------------

EQE SUV AMG Line Standard equipment highlights



Obsidian black shown (standard)



Obsidian black shown (standard)

Exterior

21" AMG alloy wheels – multi-spoke design, aerodynamically optimised, painted high-gloss black with a high-sheen finish (code RWX)

AIRMATIC air suspension with Adaptive Damping System

AMG Line exterior

EASY-PACK powered tailgate

Heat-insulating, dark-tinted glass

KEYLESS-GO Comfort package

LED headlamps with Adaptive Highbeam Assist

Mirror package

Panoramic sliding sunroof

Radiator grille with Mercedes-Benz star pattern

Roof rails – polished aluminium

Summer tyres





Interior

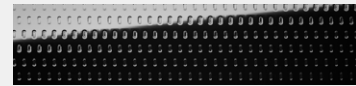
Ambient lighting Plus – with projection of brand logo	Memory package
AMG Line interior	Multifunction sports steering wheel in nappa leather
Automatically dimming rear view mirror	Seats – comfort seats
Illuminated door sill panels with ‘Mercedes-Benz’ lettering	THERMATIC two-zone automatic climate control

Communications, Safety and Assistance Systems

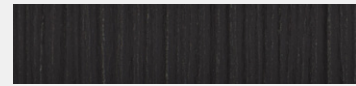
12.3-inch central display
Advanced sound system
Blind Spot Assist
Digital TV tuner
DISTRONIC PLUS
GUARD 360° vehicle protection Plus ²
MBUX multimedia system
MBUX Hyperscreen ³ (standard on EQE500 only)
Parking package – Active Park Assist ¹ with PARKTRONIC and reversing camera
Smartphone integration ³ including Apple CarPlay® and Android Auto™
Speed Limit Assist
USB package Plus
Wireless charging ³ in the front centre console

Trim and Upholstery

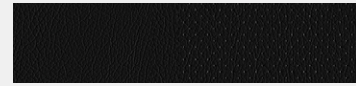
Centre console in black fine-structure look trim



Dashboard in anthracite open-pore linestructure lime wood trim



Leather – black/space grey



¹Your driver assistance and safety systems are aids and do not relieve you of your responsibility as the driver. Please take note of the information in the Owner’s Manual and the system limits which are described therein of network providers ³Compatible mobile phone required

²The connection of the communication module to the mobile phone network including the emergency call system depends on the respective network coverage and availability

EQE SUV AMG Line Night Edition Premium



Cost option shown: MANUFAKTUR alpine grey solid (code 956)

Luxury, performance, and innovation combined

Introducing the AMG Line Night Edition Premium, featuring 21" AMG alloy wheels with a high-gloss black finish in a multi-spoke design and the Night package enhances its sleek profile. With DIGITAL LIGHTS illuminating the road ahead and aluminium-look illuminated running boards adding a touch of elegance, this model sets a new standard

in style. Inside, immerse yourself in the ambience with active ambient lighting and indulge in concert-quality sound with the Burmester® surround sound system.

EQE SUV AMG Line Night Edition Premium
Upgrade price from EQE SUV AMG Line

OTR from £82,995¹
£6,125

¹The recommended on-the-road price includes the Road Fund Licence applicable to the standard model plus delivery charge (£780.00 incl.VAT), new vehicle registration fee (£55.00) and number plates (£25.00 incl.VAT). VAT is calculated at the standard rate of 20%. Some of the model features, optional extras and colours shown may not be available, or may only be available in a different specification, or at a different price

Design	Technology	Safety	Model lines and upholstery	Model prices	Mercedes-AMG and upholstery	Mercedes-AMG prices	Personalisation	Standard equipment	Technical data	Additional information
--------	------------	--------	----------------------------	--------------	-----------------------------	---------------------	-----------------	--------------------	----------------	------------------------

EQE SUV AMG Line Night Edition Premium Standard equipment highlights



Cost option shown: MANUFAKTUR alpine grey solid (code 956)



Cost option shown: MANUFAKTUR alpine grey solid (code 956)

In addition to/replacement of AMG Line:

Exterior

21" AMG alloy wheels – multi-spoke design, aerodynamically optimised, painted high-gloss black with a high-shine finish (code RWX)

Aluminium-look, illuminated running boards with rubber studs

DIGITAL LIGHT with pre-installation for projection function¹

Adaptive Highbeam Assist Plus

Night package

Roof rails – high-gloss black

Summer tyres

¹Downloadable from Mercedes-Benz store





Interior

Active ambient lighting

Heated steering wheel

Communications, Safety and Assistance Systems

Active Speed Limit Assist¹

Burmester® surround sound system with sound personalisation

Driving Assistance package Plus¹

MBUX augmented reality for navigation

MBUX Hyperscreen² (standard on EQE 500 4MATIC only; available as a cost option on all other engines)Parking package - Active Park Assist¹ with PARKTRONIC and 360° camera

Traffic Sign Assist

Transparent bonnet (not available on EQE 350+)



Trim and Upholstery

Centre console in black fine-structure look trim



Dashboard in anthracite open-pore linestructure lime wood trim



Leather - black/space grey



¹Our driver assistance and safety systems are aids and do not relieve you of your responsibility as the driver. Please take note of the information in the Owner's Manual and the system limits which are described therein

²The centre console in anthracite open-pore linestructure lime wood trim in conjunction with MBUX Hyperscreen

EQE SUV AMG Line Night Edition Premium Plus



Cost option shown: MANUFAKTUR patagonia red solid (code 993)

Where sophistication meets innovation

The AMG Line Night Edition Premium Plus, boasting impressive 22" AMG alloy wheels featuring a sleek multi-spoke design and finished in high-gloss black as well as DIGITAL LIGHT with pre-installation for projection function,¹ makes for a striking appearance on the road. Experience the luxury of multicontour and climatized front seats with luxury

head restraints and THERMOTRONIC four-zone automatic climate control.

EQE SUV AMG Line Night Edition Premium Plus
Upgrade price from EQE SUV AMG Line Night Edition Premium

OTR from £87,995²
£5,000

¹Downloadable from Mercedes-Benz store

²The recommended on-the-road price includes the Road Fund Licence applicable to the standard model plus delivery charge (£780.00 incl. VAT), new vehicle registration fee (£55.00) and number plates (£25.00 incl. VAT). VAT is calculated at the standard rate of 20%. Some of the model features, optional extras and colours shown may not be available, or may only be available in a different specification, or at a different price

Design	Technology	Safety	Model lines and upholstery	Model prices	Mercedes-AMG and upholstery	Mercedes-AMG prices	Personalisation	Standard equipment	Technical data	Additional information
--------	------------	--------	----------------------------	--------------	-----------------------------	---------------------	-----------------	--------------------	----------------	------------------------

EQE SUV AMG Line Night Edition Premium Plus Standard equipment highlights



Cost option shown: MANUFAKTUR patagonia red solid (code 993)



Cost option shown: MANUFAKTUR patagonia red solid (code 993)

In addition to/replacement of AMG Line Premium:

Exterior

22" AMG alloy wheels - multi-spoke design, aerodynamically optimised, painted high-gloss black with a high-shine finish (code RPE)

Summer tyres





Interior

Seats - climatized (front)

Seats - luxury head restraints (front)

Seats - multi-contour with massage function (front)

Seats - Seat Heating Plus (front)

THERMOTRONIC automatic climate control, four-zone

Communications, Safety and Assistance Systems

Dashcam

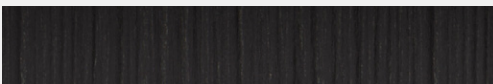
Head-up display

Trim and Upholstery

Centre console in black fine-structure look trim



Dashboard in anthracite open-pore linestructure lime wood trim



Leather - black/space grey



Upholstery

● Standard □ No-cost option



201A Leather¹ – black/space grey

AMG Line	●
AMG Line Night Edition Premium	●
AMG Line Night Edition Premium Plus	●



209A Leather¹ – neva grey/balao brown

AMG Line	□
AMG Line Night Edition Premium	□
AMG Line Night Edition Premium Plus	□



211A Leather¹ – black/balao brown

AMG Line	□
AMG Line Night Edition Premium	□
AMG Line Night Edition Premium Plus	□

¹At least 80% of the seat upholstery is pure leather, while up to 20% may consist of man-made leather

Upholstery

No-cost option



219A Leather¹ – neva grey/biscay blue

AMG Line	<input type="checkbox"/>
AMG Line Night Edition Premium	<input type="checkbox"/>
AMG Line Night Edition Premium Plus	<input type="checkbox"/>



221A Leather¹ – black/biscay blue

AMG Line	<input type="checkbox"/>
AMG Line Night Edition Premium	<input type="checkbox"/>
AMG Line Night Edition Premium Plus	<input type="checkbox"/>

¹At least 80% of the seat upholstery is pure leather, while up to 20% may consist of man-made leather

[Book a test drive](#)[Find your EQE SUV](#)[Find a Showroom](#)

Model prices

Model line	Powertrain	CO ₂ WLTP ^{1,*}	Basic RRP excl. VAT (£)	Total RRP incl. VAT (£)	Road Fund Licence (£) ² WLTP	Rec. OTR price (£) ³ WLTP	P11D value (£)	BiK tax rate 2026/27 (%) ²
AMG Line								
EQE 350+	Battery electric vehicle, 320 hp/235 kW Electric range up to 372 miles – WLTP ¹	0	63,333.33	76,000.00	10.00	76,870.00	76,805.00	4
EQE 350 4MATIC	Battery electric vehicle, 320 hp/235 kW Electric range up to 337 miles – WLTP ¹	0	67,083.33	80,500.00	10.00	81,370.00	81,305.00	4
EQE 500 4MATIC	Battery electric vehicle, 449 hp/330 kW Electric range up to 360 miles – WLTP ¹	0	75,887.50	91,065.00	10.00	91,935.00	91,870.00	4
AMG Line Night Edition Premium								
EQE 350+	Battery electric vehicle, 320 hp/235 kW Electric range up to 366 miles – WLTP ¹	0	68,437.50	82,125.00	10.00	82,995.00	82,930.00	4
EQE 350 4MATIC	Battery electric vehicle, 320 hp/235 kW Electric range up to 333 miles – WLTP ¹	0	72,187.50	86,625.00	10.00	87,495.00	87,430.00	4
EQE 500 4MATIC	Battery electric vehicle, 449 hp/330 kW Electric range up to 355 miles – WLTP ¹	0	80,104.17	96,125.00	10.00	96,995.00	96,930.00	4
AMG Line Night Edition Premium Plus								
EQE 350+	Battery electric vehicle, 320 hp/235 kW Electric range up to 350 miles – WLTP ¹	0	72,604.17	87,125.00	10.00	87,995.00	87,930.00	4
EQE 350 4MATIC	Battery electric vehicle, 320 hp/235 kW Electric range up to 324 miles – WLTP ¹	0	76,354.17	91,625.00	10.00	92,495.00	92,430.00	4
EQE 500 4MATIC	Battery electric vehicle, 449 hp/330 kW Electric range up to 338 miles – WLTP ¹	0	84,270.83	101,125.00	10.00	101,995.00	101,930.00	4

¹The indicated values were determined according to the prescribed measurement method - Worldwide Harmonised Light Vehicle Test Procedure (WLTP). Figures shown may include options which are not available in the UK. Battery Electric Vehicles (BEV) require mains electricity for charging, range figures determined with the battery fully charged. ²Figures shown are for comparability purposes; only compare with other cars tested to the same technical procedures. Figures may not reflect real life driving results, which will depend upon a number of factors including the starting charge of the battery, factory-fitted options, accessories fitted (post registration), variations in weather, driving styles and vehicle load. Further information about the test used to establish range, power consumption and CO₂ figures can be found at <http://www.mercedes-benz.co.uk/WLTP> ³A different first year rate of Vehicle Excise Duty (Road Fund Licence) applies for new cars. Please refer to page 58 for the relevant rate for the second and subsequent years ³The recommended on-road price includes the Road Fund Licence applicable to the standard model plus delivery charge (£780.00 incl. VAT), new vehicle registration fee (£55.00) and number plates (£25.00 incl. VAT). VAT is calculated at the standard rate of 20%. Some of the model features, optional extras and colours shown may not be available, or may only be available in a different specification, or at a different price

Design	Technology	Safety	Model lines and upholstery	Model prices	Mercedes-AMG and upholstery	Mercedes-AMG prices	Personalisation	Standard equipment	Technical data	Additional information
--------	------------	--------	----------------------------	--------------	-----------------------------	---------------------	-----------------	--------------------	----------------	------------------------



Book a test drive



Find your EQE SUV



Find a Showroom

EQE SUV

Mercedes-AMG



AMG



Design

Technology

Safety

Model lines and upholstery

Model prices

Mercedes-AMG and upholstery

Mercedes-AMG prices

Personalisation

Standard equipment

Technical data

Additional information

Mercedes-AMG EQE SUV Model lines overview



Mercedes-AMG EQE 53 4MATIC+ Night Edition »



Mercedes-AMG EQE 53 4MATIC+ Night Edition Premium Plus »





Mercedes-AMG EQE 53 4MATIC+ Night Edition



Cost option shown: high-tech silver metallic (code 922)

Elevating luxury and performance with cutting-edge features

With striking 21" AMG alloy wheels and DIGITAL LIGHT with projection function, the Mercedes-AMG EQE 53 4MATIC+ Night Edition commands attention on the road.

Experience unparalleled agility with AMG ACTIVE RIDE CONTROL suspension and rear axle steering, while indulging in the sophistication of the Mercedes-AMG exterior and interior.

Mercedes-AMG EQE 53 4MATIC+ Night Edition SUV

OTR from £115,495¹

¹The recommended on-the-road price includes the Road Fund Licence applicable to the standard model plus delivery charge (£780.00 incl. VAT), new vehicle registration fee (£55.00) and number plates (£25.00 incl. VAT). VAT is calculated at the standard rate of 20%. Some of the model features, optional extras and colours shown may not be available, or may only be available in a different specification, or at a different price

Design	Technology	Safety	Model lines and upholstery	Model prices	Mercedes-AMG and upholstery	Mercedes-AMG prices	Personalisation	Standard equipment	Technical data	Additional information
--------	------------	--------	----------------------------	--------------	-----------------------------	---------------------	-----------------	--------------------	----------------	------------------------

Mercedes-AMG EQE 53 4MATIC+ Night Edition Standard equipment highlights



Cost option shown: high-tech silver metallic (code 922)



Cost option shown: high-tech silver metallic (code 922)

Exterior

21" AMG alloy wheels – 5-twin-spoke design, aerodynamically optimised, painted in matt black and with a high-sheen finish (code RWZ)

AMG Night package – with mirror caps, beltline and trim elements in high-gloss black

DIGITAL LIGHT with projection function

Heat-insulating, dark-tinted glass

Mercedes-AMG exterior

Panoramic sliding sunroof

Roof rails – polished aluminium

Silver-painted brake callipers with 'AMG' lettering

Summer tyres



Engine, Transmission and Suspension

AMG ACTIVE RIDE CONTROL suspension system

Rear axle steering (10°)

Design	Technology	Safety	Model lines and upholstery	Model prices	Mercedes-AMG and upholstery	Mercedes-AMG prices	Personalisation	Standard equipment	Technical data	Additional information
--------	------------	--------	----------------------------	--------------	-----------------------------	---------------------	-----------------	--------------------	----------------	------------------------



Interior

- Active ambient lighting
- AMG logo on centre console
- AMG Performance steering wheel in nappa leather/MICROCUT microfibre with AMG buttons
- Illuminated door sill panels with 'AMG' lettering
- Memory package
- Mercedes-AMG interior
- MICROCUT roof liner in black
- Red top stitching on the dashboard, beltlines, door panel centre panels and centre console
- Seats – four-way lumbar support
- Seats – sports seats
- Steering wheel – heated
- THERMATIC two-zone automatic climate control

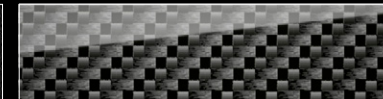
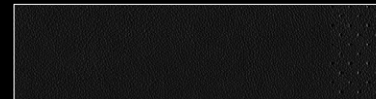
Communications, Safety and Assistance Systems

- AMG TRACK PACE
- Burmester® 3D surround sound system with sound personalisation
- Driving Assistance package Plus¹
- EASY-PACK electric tailgate
- GUARD 360° vehicle protection Plus²
- Hyperscreen
- Parking package – Active Park Assist¹ and 360° camera
- Transparent bonnet

Trim and Upholstery

AMG nappa leather – black/space grey

Centre console in carbon fibre



¹Our driver assistance and safety systems are aids and do not relieve you of your responsibility as the driver. Please take note of the information in the Owner's Manual and the system limits which are described therein of network providers

²The connection of the communication module to the mobile phone network including the emergency call system depends on the respective network coverage and availability

Design	Technology	Safety	Model lines and upholstery	Model prices	Mercedes-AMG and upholstery	Mercedes-AMG prices	Personalisation	Standard equipment	Technical data	Additional information
--------	------------	--------	----------------------------	--------------	-----------------------------	---------------------	-----------------	--------------------	----------------	------------------------



Mercedes-AMG EQE 53 4MATIC+ Night Edition Premium Plus



No-cost option shown: selenite grey metallic (code 992)

Experience the epitome of luxury and performance

The Mercedes-AMG EQE 53 4MATIC+ Night Edition Premium Plus features striking 22" AMG alloy wheels with red brake callipers with 'AMG' lettering as well as the exclusive AMG Night package II. Indulge in a luxurious driving experience with the Acoustic Comfort package,

complemented by the superior grip of the heated AMG Performance steering wheel in carbon fibre/MICROCUT microfibre.

Mercedes-AMG EQE 53 4MATIC+ Night Edition Premium Plus SUV OTR from £125,370¹

¹The recommended on-the-road price includes the Road Fund Licence applicable to the standard model plus delivery charge (£780.00 incl. VAT), new vehicle registration fee (£55.00) and number plates (£25.00 incl. VAT). VAT is calculated at the standard rate of 20%. Some of the model features, optional extras and colours shown may not be available, or may only be available in a different specification, or at a different price

Design	Technology	Safety	Model lines and upholstery	Model prices	Mercedes-AMG and upholstery	Mercedes-AMG prices	Personalisation	Standard equipment	Technical data	Additional information
--------	------------	--------	----------------------------	--------------	-----------------------------	---------------------	-----------------	--------------------	----------------	------------------------

Mercedes-AMG EQE 53 4MATIC+ Night Edition Premium Plus

Std. equipment highlights



No-cost option shown: selenite grey metallic (code 992)



No-cost option shown: selenite grey metallic (code 992)

In addition to/replacement of Mercedes-AMG EQE 53 4MATIC+ Night Edition:

Exterior

22" AMG alloy wheels – multi-spoke design, painted in matt black with a high-sheen finish (code RPF)

22" AMG alloy wheels – multi-spoke design, painted matt tantalum grey (code RYM)

Aluminium-look, illuminated running boards with rubber studs

AMG Night Package II – typography, radiator grille and Mercedes star on the rear in black chrome

Heated windscreen

Heat-insulating, noise-insulating and infrared-reflecting laminated glass

Heated windscreen washer system

Red-painted brake callipers with 'AMG' lettering

Summer tyres

Surround lighting with projection of the AMG pattern



Standard wheel shown: code RPF



No-cost option wheel shown: code RYM

Design	Technology	Safety	Model lines and upholstery	Model prices	Mercedes-AMG and upholstery	Mercedes-AMG prices	Personalisation	Standard equipment	Technical data	Additional information
--------	------------	--------	----------------------------	--------------	-----------------------------	---------------------	-----------------	--------------------	----------------	------------------------



Interior

Acoustic Comfort package – for an extraordinarily calm vehicle interior: special glass membranes, reinforced felts and additional insulation effectively help to reduce disruptive exterior noise

AMG Performance steering wheel in carbon fibre/MICROCUT microfibre

Dashcam

Head-up display

Heated rear seats

Pull-out sun visors

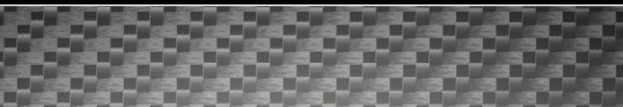
THERMOTRONIC four-zone automatic climate control

Trim and Upholstery

AMG nappa leather – black/space grey



Centre console in carbon fibre





Book a test drive



Find your EQE SUV



Find a Showroom

Mercedes-AMG upholstery



● Standard □ No-cost option



851A AMG nappa leather¹ – black/space grey

- Mercedes-AMG EQE 53 4MATIC+ Night Edition
- Mercedes-AMG EQE 53 4MATIC+ Night Edition Premium Plus



859A AMG nappa leather¹ – neva grey/biscay blue

- Mercedes-AMG EQE 53 4MATIC+ Night Edition
- Mercedes-AMG EQE 53 4MATIC+ Night Edition Premium Plus



861A AMG nappa leather¹ – black/balao brown

- Mercedes-AMG EQE 53 4MATIC+ Night Edition
- Mercedes-AMG EQE 53 4MATIC+ Night Edition Premium Plus

¹100% of seat upholstery is pure leather

Design	Technology	Safety	Model lines and upholstery	Model prices	Mercedes-AMG and upholstery	Mercedes-AMG prices	Personalisation	Standard equipment	Technical data	Additional information
--------	------------	--------	----------------------------	--------------	-----------------------------	---------------------	-----------------	--------------------	----------------	------------------------



Book a test drive



Find your EQE SUV



Find a Showroom

Become the AMG expert

Unleash a new level of performance.



Step into the world of performance and experience the AMG brand at Mercedes-Benz World – from the powerful sound of the engines to the smell of the leather to the unmistakable design of our vehicles.

Mercedes-Benz World invites all Mercedes-AMG customers to a complimentary adrenaline-packed driving experience. Feel the sensational AMG driving performance, develop your driving skills and even try your hand at power-sliding on the Wet Skid Circle. With expert one-to-one guidance from a Driving Specialist in the passenger seat, experience every inch of our Handling Circuits, Dynamic Straight and low friction surfaces.

[Click here for more information](#)

TERMS AND CONDITIONS

The following customers only are eligible: The first purchaser/registered keeper of a newly registered Mercedes-AMG. The complimentary training must be booked and taken within 12 months of email receipt. The training is available Monday - Friday only (excluding bank holidays) and subject to availability. Upgrades are available for an additional cost, details upon request. Transferable to individuals who reside at the same postal address only. Mercedes-Benz UK Limited reserves the right to amend or withdraw this training experience. Attendees must hold a full UK driving licence. Attendees will be required to sign the Mercedes-Benz World Driving Risk Acknowledgement prior to undertaking the training experience.

The training experience is also subject to the Mercedes-Benz World Terms and Conditions, as applicable. Retailer demonstrator vehicles are not eligible.

Design	Technology	Safety	Model lines and upholstery	Model prices	Mercedes-AMG and upholstery	Mercedes-AMG prices	Personalisation	Standard equipment	Technical data	Additional information
--------	------------	--------	----------------------------	--------------	-----------------------------	---------------------	-----------------	--------------------	----------------	------------------------

[Book a test drive](#)[Find your EQE SUV](#)[Find a Showroom](#)

Mercedes-AMG prices



Model line	Powertrain	CO ₂ WLTP ¹ *	Basic RRP excl. VAT (£)	Total RRP incl. VAT (£)	Road Fund Licence (£) ² WLTP	Rec. OTR price (£) ³ WLTP	P11D value (£)	BiK tax rate 2026/27 (%) ²
Mercedes-AMG EQE 53 4MATIC+ Night Edition	Battery electric vehicle, 625 hp/460 kW Electric range up to 279 miles - WLTP ¹	0	95,520.83	114,625.00	10.00	115,495.00	115,430.00	4
Mercedes-AMG EQE 53 4MATIC+ Night Edition Premium Plus	Battery electric vehicle, 625 hp/460 kW Electric range up to 259 miles - WLTP ¹	0	103,750.00	124,500.00	10.00	125,370.00	125,305.00	4

¹The indicated values were determined according to the prescribed measurement method - Worldwide Harmonised Light Vehicle Test Procedure (WLTP). Figures shown may include options which are not available in the UK. Battery Electric Vehicles (BEV) require mains electricity for charging, range figures determined with the battery fully charged. ²Figures shown are for comparability purposes; only compare with other cars tested to the same technical procedures. Figures may not reflect real life driving results, which will depend upon a number of factors including the starting charge of the battery, factory-fitted options, accessories fitted (post registration), variations in weather, driving styles and vehicle load. Further information about the test used to establish range, power consumption and CO₂ figures can be found at <http://www.mercedes-benz.co.uk/WLTP> ³A different first year rate of Vehicle Excise Duty (Road Fund Licence) applies for new cars. Please refer to page 58 for the relevant rate for the second and subsequent years ³The recommended on-the-road price includes the Road Fund Licence applicable to the standard model plus delivery charge (£780.00 incl. VAT), new vehicle registration fee (£55.00) and number plates (£25.00 incl. VAT). VAT is calculated at the standard rate of 20%. Some of the model features, optional extras and colours shown may not be available, or may only be available in a different specification, or at a different price

Design	Technology	Safety	Model lines and upholstery	Model prices	Mercedes-AMG and upholstery	Mercedes-AMG prices	Personalisation	Standard equipment	Technical data	Additional information
--------	------------	--------	----------------------------	--------------	-----------------------------	---------------------	-----------------	--------------------	----------------	------------------------



Book a test drive



Find your EQE SUV



Find a Showroom

Colour options

● Standard □ No-cost option

Total prices incl. VAT



197 obsidian black metallic



842 sodalite blue metallic



885 MANUFAKTUR opalite white bright metallic

£695



799 velvet brown metallic



922 high-tech silver metallic



956 MANUFAKTUR alpine grey solid

£695



993 MANUFAKTUR patagonia red solid

£695

Please note that, owing to limitations of on-screen representation, paint colours may differ from those shown

Design	Technology	Safety	Model lines and upholstery	Model prices	Mercedes-AMG and upholstery	Mercedes-AMG prices	Personalisation	Standard equipment	Technical data	Additional information
--------	------------	--------	----------------------------	--------------	-----------------------------	---------------------	-----------------	--------------------	----------------	------------------------

Luxury Interior package

Indulge in ultimate comfort with the Luxury Interior package, featuring comfort seats, heated rear seats, a heated steering wheel, and opulent quilted nappa leather upholstery, ensuring a cozy and sophisticated ride.

Luxury Interior package (code DLI) – designed and priced as a package, including items as listed.

Available on AMG Line Night Edition Premium and AMG Line Night Edition Premium Plus only

Total incl. VAT £3,500.00

Consisting of:

Acoustic Comfort package – laminated glass for front and side windows and additional insulation

Comfort seats

Heated rear seats

Heated windscreen

Luxury head restraints front

MANUFAKTUR microfibre roof liner in black (neva grey fabric only in conjunction with nappa leather in balao brown/neva grey (code 814A))

Quilted nappa leather upholstery



801A Nappa leather¹ – black/space grey



804A Nappa leather¹ – black/balao brown



814A Nappa leather¹ – balao brown/neva grey



821A Nappa leather¹ – black/biscay blue

¹100% of seat upholstery is pure leather

Towing package

The Towing package offers an electronically folding tow bar which increases the towing capacity up to 1,800 kg.

Towing package (code 550) - designed and priced as a package, including items as listed.

Available on all models

Total incl. VAT £1,500.00

Consisting of:

Control button with LED light in the tailgate

Electrically folding trailer hitch, stows behind the bumper when not in use

Increased towing capacity - max. 1,800 kg



[Book a test drive](#)[Find your EQE SUV](#)[Find a Showroom](#)

Hyperscreen package

Enhance your interior with an impressive design feature. As if cast from a single mould, three displays seamlessly blend together beneath a glass panel to create one large MBUX hyperscreen. Brilliant OLED technology enhances your display comfort, while the haptic feedback helps to simplify input on the touchscreen.

Hyperscreen package (code PAG) – designed and priced as a package.

Available on AMG Line Night Edition Premium and AMG Line Night Edition Premium Plus only

Total incl. VAT £5,000.00

Standard on EQE 500 4MATIC, Mercedes-AMG EQE 53 4MATIC+ Night Edition and Mercedes-AMG EQE 53 4MATIC+ Night Edition Premium Plus; not available on EQE 350+ 4MATIC AMG Line and EQE 350 4MATIC AMG Line

Consisting of:

12.3-inch OLED display for the front passenger provides them with their very own display and control area

Bright OLED displays with haptic feedback and innovative zero-layer interface

12.3-inch OLED driver's display and 17.7-inch OLED central media display

Fingerprint scanner



Design	Technology	Safety	Model lines and upholstery	Model prices	Mercedes-AMG and upholstery	Mercedes-AMG prices	Personalisation	Standard equipment	Technical data	Additional information
--------	------------	--------	----------------------------	--------------	-----------------------------	---------------------	-----------------	--------------------	----------------	------------------------

[Book a test drive](#)[Find your EQE SUV](#)[Find a Showroom](#)

Standard equipment

● Standard – Not available

Battery and Charging

	AMG Line	AMG Line Night Edt. Premium	AMG Line Night Edt. Premium Plus
22 kW AC on-board charger	●	●	●
170 kW DC on-board charger	●	●	●
Charging cable – Mode 3 cable (7 metres), Type 2, enables you to charge the vehicle battery via the wallbox or at public charging stations	●	●	●
Electrically opening vehicle socket flap	●	●	●

Steering, Transmission and Suspension

	AMG Line	AMG Line Night Edt. Premium	AMG Line Night Edt. Premium Plus
Adaptive damping system	●	●	●
AIRMATIC air suspension struts with integrated adaptive damping system at the front and rear axle – automatic level control system, depending on load: load detection for a constant suspension level. Suspension level can be raised for rough roads and is automatically lowered at high speeds, MBUX can remember these actions and suggest them when arriving at the same location	●	●	●
DYNAMIC SELECT	●	●	●
Steering wheel – multifunction sports steering wheel in nappa leather	●	●	●
Steering wheel – heated	–	●	●

Exterior

	AMG Line	AMG Line Night Edt. Premium	AMG Line Night Edt. Premium Plus
Acoustic presence indicator	●	●	●
Aluminium-look, illuminated running boards with rubber studs	–	●	●
Ambient lighting with projection of brand logo	●	●	●
AMG Line exterior	●	●	●
HANDS-FREE ACCESS	●	●	●
Headlamps – Adaptive Highbeam Assist	●	–	–
Headlamps – Adaptive Highbeam Assist Plus	–	●	●
Headlamps – static LED headlamps	●	–	–
Headlamps – DIGITAL LIGHT with pre-installation for projection function ¹	–	●	●
Heat-insulating, dark-tinted glass	●	●	●
Identification label under windshield	●	●	●
Infrared windscreen	●	●	●
Mirror package – electrically-folding exterior mirrors	●	●	●
Night package	–	●	●
Panoramic sliding sunroof	●	●	●
Radiator grille with Mercedes-Benz star pattern	●	●	●
Roof rails – high-gloss black	–	●	●
Roof rails – polished aluminium	●	–	–

¹Downloadable from Mercedes-Benz store



Standard equipment

● Standard – Not available

Wheels

	AMG Line Night Edt. Premium Plus	AMG Line Night Edt. Premium	AMG Line
21" AMG alloy wheels – multi-spoke design, aerodynamically optimised, painted high-gloss black with a high-sheen finish, 265/40 R21 tyres (code RWX)	●	●	–
22" AMG alloy wheels – multi-spoke design, aerodynamically optimised, painted high-gloss black with a high-sheen finish, 265/35 R22 tyres (code RPE)	–	–	●
Noise reduced tyre with foam absorber	●	●	●
Summer tyres	●	●	●

Interior

Ambient lighting Plus	●	●	●
Active ambient lighting	–	●	●
AMG Line interior	●	●	●
Automatically dimming rear view mirror	●	●	●
EASY-PACK load compartment cover	●	●	●
ENERGIZING AIR CONTROL Plus	●	●	●
Fingerprint scanner – colour-illuminated fingerprint scanner in the trim strip below the OLED media display, two fingerprints per user can be stored, quick access replaces PIN entry, protects personal data such as profiles plus office and payment functions	●	●	●
Flex bottleholder	●	●	●
Floor mats – AMG	●	●	●
Illuminated door sill panels with 'Mercedes-Benz' lettering	●	●	●

	AMG Line Night Edt. Premium Plus	AMG Line Night Edt. Premium	AMG Line
KEYLESS-GO Comfort package	●	●	●
Memory package – electrical adjustment and memory function for front seats, steering wheel, outside mirror, heated areas of the seat cushion and seat backrest, head-up display (where fitted), four-way front lumbar support and seat cushion length. Includes PRE-SAFE® positioning function for front passenger seat	●	●	●
Mirror package	●	●	●
Partition net (not in conjunction with Luxury Interior package, code DLI)	●	●	●
Power windows with one-touch closing	●	●	●
Seats – heated (front)	●	●	–
Seats – climatized (front)	–	–	●
Seats – Seat Heating Plus (front)	–	–	●
Seats – comfort seats	●	●	●
Seats – folding seats backrests (rear)	●	●	●
Seats – luxury head restraints (front)	–	–	●
Seats – four-way lumbar support	●	●	–
Seats – multi-contour with massage function (front)	–	–	●
Stowage compartment beneath centre console	●	●	●
THERMATIC two-zone automatic climate control	●	●	–
THERMOTRONIC four-zone automatic climate control	–	–	●
Widescreen cockpit	●	●	●

[Book a test drive](#)[Find your EQE SUV](#)[Find a Showroom](#)

Standard equipment

● Standard – Not available

Paint, Trim and Upholstery

	AMG Line Night Edt. Premium Plus	AMG Line Night Edt. Premium	AMG Line
Paint – metallic	●	●	●
Roof lining – black fabric	●	●	●
Trim – black fine-structure look	●	●	●
Trim – centre console in anthracite open-pore linestructure lime wood (only in conjunction with MBUX Hyperscreen)	●	●	●
Trim – dashboard in anthracite open-pore linestructure lime wood	●	●	●
Upholstery – leather	●	●	●

Safety and Assistance Systems

Active Lane Keeping Assist ¹	●	●	●
Speed Limit Assist	●	–	–
Active Speed Limit Assist ¹	–	●	●
Anti-theft alarm system	●	●	●
Airbags – centre airbag	●	●	●
Airbag – kneebag for driver	●	●	●
Airbags – sidebag for driver and front	●	●	●
Airbags – windowbags	●	●	●
Blind Spot Assist	●	●	●
DISTRONIC PLUS	●	–	–
Driving Assistance package Plus ¹	–	●	●

	AMG Line Night Edt. Premium Plus	AMG Line Night Edt. Premium	AMG Line
EASY-PACK electric tailgate	●	●	●
Evasive Manoeuvre Support	●	●	●
Fluorescent jacket for driver	●	●	●
Front passenger seat with seat occupancy sensor	●	●	●
GUARD 360° vehicle protection Plus ² – anti-theft protection hardware including alarm and immobilizer. Theft notification and park damage detection, ³ stolen vehicle locator, ³ 360° surroundview-camera snapshots ³ and remote key immobilizer ³	●	●	●
Increased anti-theft protection	●	●	●
Interior monitoring system	●	●	●
Mercedes-Benz Emergency Call System ⁴	●	●	●
Parking – Active Park Assist ¹ with PARKTRONIC and reversing camera	●	–	–
Parking – Active Park Assist ¹ with PARKTRONIC and 360° camera	–	●	●
PRESAFE® system	●	●	●
TIREFIT with tyre inflation compressor	●	●	●
Traffic Sign Assist	–	●	●
Transparent bonnet (not available for EQE 350+)	–	●	●
Tyre pressure monitoring and loss warning system	●	●	●

¹Our driver assistance and safety systems are aids and do not relieve you of your responsibility as the driver. Please take note of the information in the Owner's Manual and the system limits which are described therein of network providers

²Free of charge for three years from activation

³Please be aware Mercedes-Benz emergency call system comes as standard for the first 10 years of the vehicle's lifecycle

⁴The connection of the communication module to the mobile phone network including the emergency call system depends on the respective network coverage and availability

[Book a test drive](#)[Find your EQE SUV](#)[Find a Showroom](#)

Standard equipment

● Standard – Not available

Communications and In-Car Entertainment

	AMG Line	AMG Line Night Edt. Premium	AMG Line Night Edt. Premium Plus
5G communications module ¹	●	●	●
12.3-inch central display	●	●	●
Dashcam	–	–	●
Digital Extras (standard services) ¹ – emergency call system (eCall), ² accident recovery, breakdown management and maintenance management	●	●	●
Digital radio	●	●	●
Digital TV tuner	●	●	●
Extended MBUX functions	●	●	●
Head-up display	–	–	●
Owner's manual and service information – English	●	●	●
MBUX augmented reality for navigation	–	●	●
MBUX Hyperscreen (EQE 500 only)	●	●	●

	AMG Line	AMG Line Night Edt. Premium	AMG Line Night Edt. Premium Plus
MBUX multimedia system	●	●	●
MBUX Navigation Premium with Live Traffic ¹	●	●	●
Pre-installation for digital key transfer ¹	●	●	●
Pre-installation for MBUX Entertainment Plus	●	●	●
Pre-installation for remote and navigation services ¹	●	●	●
Remote and Charging Services Premium	●	●	●
Smartphone integration ³ including Apple CarPlay® and Android Auto™	●	●	●
Sound system – Mercedes-Benz advanced sound system	●	–	–
Sound system – Burmester® 3D surround sound system	–	●	●
Sound personalisation	–	●	●
USB package Plus	●	●	●
Wireless charging ³ for mobile devices (front)	●	●	●

¹The connection of the communication module to the mobile phone network including the emergency call system depends on the respective network coverage and availability of network providers
<https://www.mercedes-benz-mobile.com/>

²Please be aware Mercedes-Benz emergency call system comes as standard for the first 10 years of the vehicle's lifecycle

³Compatible smartphone required. For further details please visit

[Book a test drive](#)[Find your EQE SUV](#)[Find a Showroom](#)

Standard equipment Mercedes-AMG

● Standard – Not available

Battery and Charging

	Night Edition Premium Plus	Night Edition
22 kW AC on-board charger	●	●
170 kW DC on-board charger	●	●
Charging cable – Mode 3 cable (7 metres), Type 2, enables you to charge the vehicle battery via the wallbox or at public charging stations	●	●
Electrically opening vehicle socket flap	●	●

Steering, Transmission and Suspension

Adaptive Damping System	●	●
AMG ACTIVE RIDE CONTROL suspension system	●	●
DYNAMIC SELECT	●	●
Steering – 10° rear axle steering	●	●
Steering wheel – AMG buttons	●	●
Steering wheel – AMG Performance steering wheel in nappa leather/MICROCUT microfibre	●	–
Steering wheel – AMG Performance steering wheel in carbon fibre/MICROCUT microfibre	–	●
Steering wheel – heated	●	●

Exterior

Acoustic presence indicator	●	●
Aluminium-look, illuminated running boards with rubber studs	–	●
Ambient lighting with projection of brand logo	●	●

	Night Edition Premium Plus	Night Edition
AMG Night package – with mirror caps, beltline and trim elements in high-gloss black	●	●
AMG Night package II – typography, radiator grille and Mercedes star on the rear in black chrome	–	●
AMG-specific black panel radiator grille with chrome vertical struts	●	●
Brakes – silver-painted brake callipers with 'AMG' lettering	●	–
Brakes – red-painted brake callipers with 'AMG' lettering	–	●
Electrically folding exterior mirrors	●	●
Hands-free access	●	●
Headlamps – Adaptive Highbeam Assist Plus	●	●
Headlamps – DIGITAL LIGHT with projection function	●	●
Heat-insulating, dark-tinted glass	●	–
Heat-insulating, noise-insulating and infrared-reflecting laminated glass	–	●
Heated windscreen	–	●
Heated windscreen washer system	–	●
Identification label under windshield	●	●
Infrared windscreen	●	●
Mercedes-AMG exterior	●	●
Mirror package – electrically-folding exterior mirrors	●	●
Panoramic sliding sunroof	●	●
Roof rails – polished aluminium	●	●
Surround lighting with projection of the AMG pattern	–	●

[Book a test drive](#)[Find your EQE SUV](#)[Find a Showroom](#)

Standard equipment Mercedes-AMG

● Standard – Not available

Wheels

21" AMG alloy wheels – 5-twin-spoke design, aerodynamically optimised, painted in matt black and with a high-sheen finish, 275/40 R21 tyres (code RWZ)

22" AMG alloy wheels – multi-spoke design, painted in matt black with a high-sheen finish, 275/40 R22 tyres (code RPF)

Noise reduced tyre with foam absorber

Summer tyres

Interior

Acoustic Comfort package – for an extraordinarily calm vehicle interior: special glass membranes, reinforced felts and additional insulation effectively help to reduce disruptive exterior noise

Active ambient lighting

Ambient lighting Plus

AMG logo on centre console

Automatically dimming rear view mirror

EASY-PACK load compartment cover

ENERGIZING AIR CONTROL Plus

Fingerprint scanner – colour-illuminated fingerprint scanner in the trim strip below the OLED media display, two fingerprints per user can be stored, quick access replaces PIN entry, protects personal data such as profiles plus office and payment functions

Flex bottleholder

Floor mats – AMG

Night Edition Premium Plus
Night Edition

● –
– ●
● ●
● ●

Illuminated door sill panels with 'AMG' lettering

KEYLESS-GO Comfort package

Memory package – electrical adjustment and memory function for front seats, steering wheel, outside mirror, heated areas of the seat cushion and seat backrest, head-up display (where fitted), four-way front lumbar support and seat cushion length. Includes PRE-SAFE® positioning function for front passenger seat

Mercedes-AMG interior

Partition net (not in conjunction with Luxury Interior package, code DLI)

Power windows with one touch closing

Pull-out sun visors

Red top stitching on the dashboard, beltlines, door panel centre panels and centre console

Seats – climatized (front)

Seats – folding seats backrests (rear)

Seats – four-way lumbar support

Seats – heated (rear)

Seats – sports seats

Stowage compartment beneath centre console

THERMATIC two-zone automatic climate control

THERMOTRONIC four-zone automatic climate control

Widescreen cockpit

● ●
● ●
● ●
● ●
● ●
– ●
● ●
● ●
● ●
● –
– ●
● ●

Night Edition Premium Plus
Night Edition

[Book a test drive](#)[Find your EQE SUV](#)[Find a Showroom](#)

Standard equipment Mercedes-AMG

● Standard – Not available

Paint, Trim and Upholstery

	Night Edition Premium Plus	Night Edition
Paint – metallic	●	●
Roof lining – black MICROCUT microfibre	●	●
Trim – centre console in carbon fibre	●	●
Upholstery – AMG nappa leather	●	●

Safety and Assistance Systems

Active Lane Keeping Assist	●	●
Active Speed Limit Assist	●	●
Anti-theft alarm system	●	●
Airbags – centre airbag	●	●
Airbag – kneebag for driver	●	●
Airbags – sidebag for driver and front	●	●
Airbags – windowbags	●	●
Blind Spot Assist	●	●
Driving Assistance package Plus ¹	●	●

	Night Edition Premium Plus	Night Edition
EASY-PACK electric tailgate	●	●
Evasive Manoeuvre Support	●	●
Fluorescent jacket for driver	●	●
Front passenger seat with seat occupancy sensor	●	●
GUARD 360° vehicle protection Plus ² – anti-theft protection hardware including alarm and immobilizer. Theft notification and park damage detection, ³ stolen vehicle locator, ³ 360° surroundview-camera snapshots ³ and remote key immobilizer ³	●	●
Increased anti-theft protection	●	●
Interior monitoring system	●	●
Mercedes-Benz Emergency Call System ⁴	●	●
Parking package – Active Park Assist ¹ and 360° camera	●	●
PRESAFE® system	●	●
TIREFIT with tyre inflation compressor	●	●
Traffic Sign Assist	●	●
Transparent bonnet	●	●
Tyre pressure monitoring and loss warning system	●	●

¹Our driver assistance and safety systems are aids and do not relieve you of your responsibility as the driver. Please take note of the information in the Owner's Manual and the system limits which are described therein of network providers

²Free of charge for three years from activation

³Please be aware Mercedes-Benz emergency call system comes as standard for the first 10 years of the vehicle's lifecycle

⁴The connection of the communication module to the mobile phone network including the emergency call system depends on the respective network coverage and availability

[Book a test drive](#)[Find your EQE SUV](#)[Find a Showroom](#)

Standard equipment Mercedes-AMG

● Standard – Not available

Communications and In-Car Entertainment

	Night Edition Premium Plus	Night Edition
5G communications module ¹	●	●
AMG Track Pace	●	●
Dashcam	–	●
Digital Extras (standard services) ¹ – emergency call system (eCall), ² accident recovery, breakdown management and maintenance management	●	●
Digital radio	●	●
Digital TV tuner	●	●
Extended MBUX functions	●	●
Head-up display	–	●
Owner's manual and service information – English	●	●
MBUX augmented reality for navigation	●	●
MBUX Hyperscreen	●	●
MBUX multimedia system	●	●

	Night Edition Premium Plus	Night Edition
MBUX Navigation Premium with Live Traffic ¹	●	●
Pre-installation for digital key transfer ¹	●	●
Pre-installation for MBUX Entertainment Plus	●	●
Pre-installation for remote and navigation services ¹	●	●
Remote and Charging Services Premium	●	●
Smartphone integration ³ including Apple CarPlay® and Android Auto™	●	●
Sound personalisation	●	●
Sound system – Burmester® 3D surround sound system	●	●
USB package Plus	●	●
Wireless charging ³ for mobile devices (front)	●	●

¹The connection of the communication module to the mobile phone network including the emergency call system depends on the respective network coverage and availability of network providers
<https://www.mercedes-benz-mobile.com/>

²Please be aware Mercedes-Benz emergency call system comes as standard for the first 10 years of the vehicle's lifecycle

³Compatible smartphone required. For further details please visit

[Book a test drive](#)[Find your EQE SUV](#)[Find a Showroom](#)

Technical data

- Standard

Model		EQE 350+	EQE 350 4MATIC	EQE 500 4MATIC	Mercedes-AMG EQE 53 4MATIC+
Motor					
Battery type		lithium-ion high-voltage	lithium-ion high-voltage	lithium-ion high-voltage	lithium-ion high-voltage
Electric motor type		asynchronous	asynchronous	asynchronous	asynchronous
Battery capacity (usable)	kWh	96	90	96	90
Power ¹	hp (kW)	320 (235)	320 (235)	449 (330)	625 (460)
Torque ¹	Nm at rpm	565/n/a	765/n/a	858/n/a	950/n/a
On-board charger	kW	22 kW AC; 170 kW DC	22 kW AC; 170 kW DC	22 kW AC; 170 kW DC	22 kW AC; 170 kW DC
Emissions standard		Euro 6-WLTP	Euro 6-WLTP	Euro 6-WLTP	Euro 6-WLTP

Transmission					
Single-speed automatic		●	●	●	●

Performance					
Acceleration 0–62 mph	sec	6.4	6.0	4.7	3.7
Top speed	mph	130	130	130	137
Charging time					
Public Rapid charger (170 kW DC) 10–80% ²		32 mins	32 mins	32 mins	32 mins
Wallbox, Mode 3 (22 kW AC) 10–100% ³		5 hrs 15 mins	4 hrs 45 mins	5 hrs 15 mins	4 hrs 45 mins
Home Wallbox (7.4 kW AC) 10–100% ⁴		15 hrs	14 hrs 15 mins	15 hrs	14 hrs 15 mins
Electric energy consumption, combined ^{4,5}	Wh/km	188–205	195–214	196–212	233–253
Electric range – WLTP ⁴	miles	344–372	309–337	332–360	256–279

¹Figures according to Regulation (EC) No. 595/2009 in the currently applicable version ²Specified voltage and current values refer to network infrastructure and can be limited by the vehicle. Times are from 10–80% charge using public rapid charging at 170 kW ³Specified voltage and current values refer to network infrastructure and can be limited by the vehicle. Times are from 10–100% charge using a wallbox (three-phase) or standard socket (single-phase) ⁴Figures shown are for comparability purposes; only compare with other cars tested to the same technical procedures. Figures may not reflect real life driving results, which will depend upon a number of factors including the starting charge of the battery, factory-fitted options, accessories fitted (post registration), variations in weather, driving styles and vehicle load. Further information about the test used to establish range, power consumption and CO₂ figures can be found at <http://www.mercedes-benz.co.uk/WLTP> ⁵Specified voltage and current values refer to network infrastructure and can be limited by the vehicle

[Book a test drive](#)[Find your EQE SUV](#)[Find a Showroom](#)

Technical data

Model		EQE 350+	EQE 350 4MATIC	EQE 500 4MATIC	Mercedes-AMG EQE 53 4MATIC+
Weights and capacities					
Kerb weight ⁶	kg	2,592-2,671	2,662-2,735	2,718-2,791	2,717-2,777
Perm. Gross Vehicle Weight	kg	3,055	3,175	3,175	3,195
Boot capacity – seats up/down	l	520/1,675	520/1,675	520/1,675	520/1,675
Turning circle	m	12.30	12.30	12.30	10.99
Insurance					
All variants		tba	tba	tba	tba
Insurance ratings may vary depending on model line and specification.					

⁶Mass of the vehicle in running order with at least 90% full fuel tank, plus the mass of the driver (estimated by law at 75 kg), fuel and fluids, equipped with the standard equipment as specified by the manufacturer as well as, where applicable, the mass of the body, cab, trailer coupling and spare wheel(s) as well as tools. Optional extras, additional equipment and accessories can influence the weight, residual payload, rolling resistance, aerodynamics, etc., and therefore also affect the consumption/CO₂ values

[Book a test drive](#)[Find your EQE SUV](#)[Find a Showroom](#)

Electric range and consumption

	Energy Consumption - combined (Wh/km) ¹	All Electric Range (km) ¹	All Electric Range (miles) ¹
EQE 350+ AMG Line	188	598	372
EQE 350+ AMG Line + Towing package	190	592	368
EQE 350+ AMG Line Night Edition Premium	192	589	366
EQE 350+ AMG Line Night Edition Premium + Towing package	195	579	360
EQE 350+ AMG Line Night Edition Premium + Hyperscreen package	192	588	365
EQE 350+ AMG Line Night Edition Premium + Luxury Interior package	192	588	365
EQE 350+ AMG Line Night Edition Premium + Hyperscreen + Luxury Interior package	192	587	365
EQE 350+ AMG Line Night Edition Premium + Hyperscreen + Towing package	196	578	359
EQE 350+ AMG Line Night Edition Premium + Luxury Interior + Towing package	196	578	359
EQE 350+ AMG Line Night Edition Premium + Luxury Interior + Towing + Hyperscreen package	196	577	359
EQE 350+ AMG Line Night Edition Premium Plus	201	563	350
EQE 350+ AMG Line Night Edition Premium Plus + Towing package	204	554	344
EQE 350+ AMG Line Night Edition Premium Plus + Hyperscreen package	201	562	349
EQE 350+ AMG Line Night Edition Premium Plus + Luxury Interior package	201	562	349
EQE 350+ AMG Line Night Edition Premium Plus + Hyperscreen + Luxury package	202	561	349
EQE 350+ AMG Line Night Edition Premium Plus + Hyperscreen + Towing package	204	553	344
EQE 350+ AMG Line Night Edition Premium Plus + Luxury Interior + Towing package	204	554	344
EQE 350+ AMG Line Night Edition Premium Plus + Luxury Interior + Towing + Hyperscreen package	205	553	344

¹Figures shown are for comparability purposes; only compare with other cars tested to the same technical procedures. Figures may not reflect real life driving results, which will depend upon a number of factors including the starting charge of the battery, factory-fitted options, accessories fitted (post registration), variations in weather, driving styles and vehicle load. Further information about the test used to establish range, power consumption and CO₂ figures can be found at <http://www.mercedes-benz.co.uk/WLTP>

[Book a test drive](#)[Find your EQE SUV](#)[Find a Showroom](#)

Electric range and consumption (continued)

	Energy Consumption - combined (Wh/km) ¹	All Electric Range (km) ¹	All Electric Range (miles) ¹
EQE 350 4MATIC AMG Line	195	542	337
EQE 350 4MATIC AMG Line + Towing package	198	536	333
EQE 350 4MATIC AMG Line Night Edition Premium	198	536	333
EQE 350 4MATIC AMG Line Night Edition Premium + Towing package	203	524	326
EQE 350 4MATIC AMG Line Night Edition Premium + Hyperscreen package	199	532	331
EQE 350 4MATIC AMG Line Night Edition Premium + Luxury Interior package	199	532	331
EQE 350 4MATIC AMG Line Night Edition Premium + Hyperscreen + Luxury Interior package	200	531	330
EQE 350 4MATIC AMG Line Night Edition Premium + Hyperscreen + Towing package	203	523	325
EQE 350 4MATIC AMG Line Night Edition Premium + Luxury Interior + Towing package	203	523	325
EQE 350 4MATIC AMG Line Night Edition Premium + Luxury Interior + Towing + Hyperscreen package	204	522	324
EQE 350 4MATIC AMG Line Night Edition Premium Plus	201	522	324
EQE 350 4MATIC AMG Line Night Edition Premium Plus + Towing package	213	499	310
EQE 350 4MATIC AMG Line Night Edition Premium Plus + Hyperscreen package	210	505	314
EQE 350 4MATIC AMG Line Night Edition Premium Plus + Luxury Interior package	210	506	314
EQE 350 4MATIC AMG Line Night Edition Premium Plus + Hyperscreen package + Luxury Interior package	211	505	314
EQE 350 4MATIC AMG Line Night Edition Premium Plus + Hyperscreen + Towing package	211	505	314
EQE 350 4MATIC AMG Line Night Edition Premium Plus + Luxury Interior + Towing package	214	498	309
EQE 350 4MATIC AMG Line Night Edition Premium Plus + Luxury Interior + Towing + Hyperscreen package	214	497	309

¹Figures shown are for comparability purposes; only compare with other cars tested to the same technical procedures. Figures may not reflect real life driving results, which will depend upon a number of factors including the starting charge of the battery, factory-fitted options, accessories fitted (post registration), variations in weather, driving styles and vehicle load. Further information about the test used to establish range, power consumption and CO₂ figures can be found at <http://www.mercedes-benz.co.uk/WLTP>

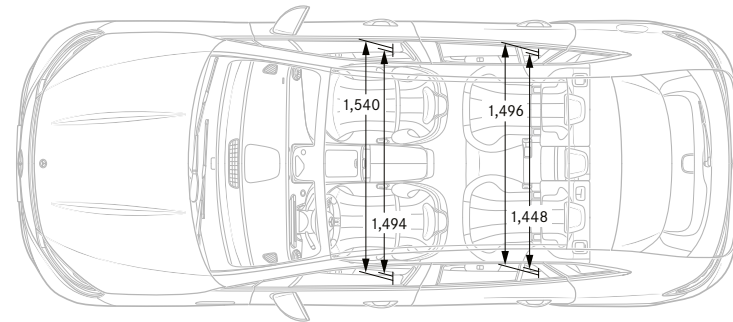
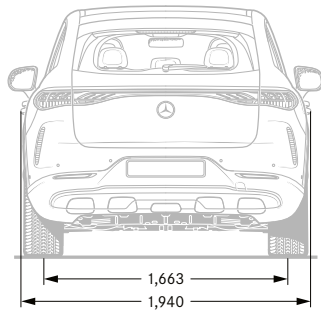
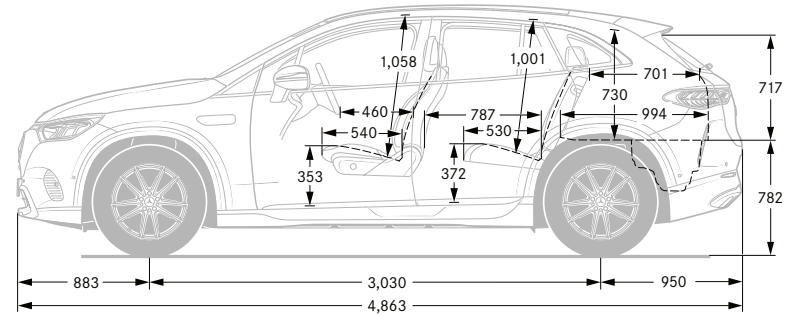
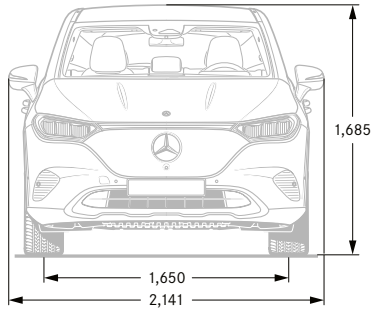
[Book a test drive](#)[Find your EQE SUV](#)[Find a Showroom](#)

Electric range and consumption (continued)

	Energy Consumption - combined (Wh/km) ¹	All Electric Range (km) ¹	All Electric Range (miles) ¹
EQE 500 4MATIC AMG Line	196	580	360
EQE 500 4MATIC AMG Line + Towing package	198	574	357
EQE 500 4MATIC AMG Line Night Edition Premium	199	571	355
EQE 500 4MATIC AMG Line Night Edition Premium + Towing package	202	562	349
EQE 500 4MATIC AMG Line Night Edition Premium + Luxury Interior package	199	570	354
EQE 500 4MATIC AMG Line Night Edition Premium + Luxury Interior + Towing package	203	561	349
EQE 500 4MATIC AMG Line Night Edition Premium Plus	209	544	338
EQE 500 4MATIC AMG Line Night Edition Premium Plus + Towing package	212	536	333
EQE 500 4MATIC AMG Line Night Edition Premium Plus + Luxury Interior package	209	543	337
EQE 500 4MATIC AMG Line Night Edition Premium Plus + Luxury Interior + Towing package	212	535	332
Mercedes-AMG EQE 53 4MATIC+ Night Edition	233	449	279
Mercedes-AMG EQE 53 4MATIC+ Night Edition + Towing package	236	445	277
Mercedes-AMG EQE 53 4MATIC+ Night Edition Premium Plus	250	417	259
Mercedes-AMG EQE 53 4MATIC+ Night Edition Premium Plus + Towing package	253	412	256

¹Figures shown are for comparability purposes; only compare with other cars tested to the same technical procedures. Figures may not reflect real life driving results, which will depend upon a number of factors including the starting charge of the battery, factory-fitted options, accessories fitted (post registration), variations in weather, driving styles and vehicle load. Further information about the test used to establish range, power consumption and CO₂ figures can be found at <http://www.mercedes-benz.co.uk/WLTP>

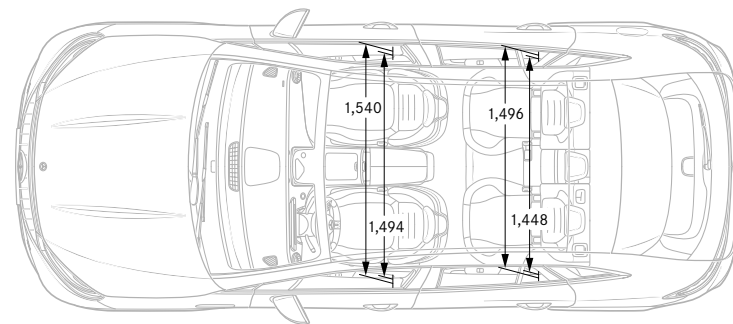
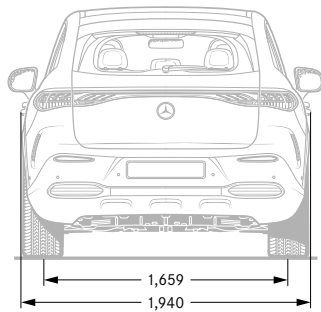
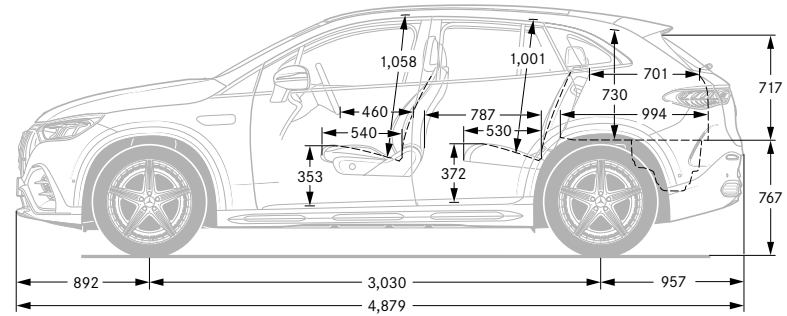
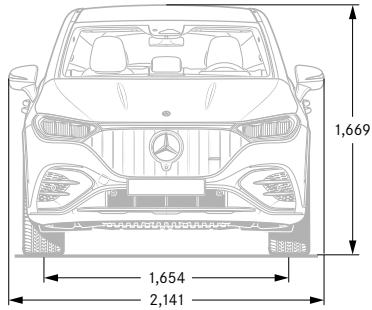
EQE SUV



All measurements in millimetres. The dimensions shown are mean values and apply to standard-specification, unladen vehicles

Design	Technology	Safety	Model lines and upholstery	Model prices	Mercedes-AMG and upholstery	Mercedes-AMG prices	Personalisation	Standard equipment	Technical data	Additional information
--------	------------	--------	----------------------------	--------------	-----------------------------	---------------------	-----------------	--------------------	----------------	------------------------

Mercedes-AMG EQE 53 4MATIC+ SUV



Design	Technology	Safety	Model lines and upholstery	Model prices	Mercedes-AMG and upholstery	Mercedes-AMG prices	Personalisation	Standard equipment	Technical data	Additional information
--------	------------	--------	----------------------------	--------------	-----------------------------	---------------------	-----------------	--------------------	----------------	------------------------

Road Fund Licence

All road vehicle registrations are subject to Vehicle Excise Duty (Road Fund Licence), which varies in accordance with the vehicle's CO₂ emissions. A first year rate for each taxation band will apply. The table below shows the bands (A-M) created by the DVLA and the corresponding Road Fund Licence. CO₂ emissions and the relevant Excise Duty are shown on the model pricing pages.

Road fund licence rates for tax year 2026/27, effective from 1 April 2026

Band	CO ₂ emissions (g/km)	First year rate (£)	Standard rate (£)	Premium rate (£) ¹
A	0	10.00	200.00	640.00
B	1 to 50	115.00	200.00	640.00
C	51 to 75	135.00	200.00	640.00
D	76 to 90	280.00	200.00	640.00
E	91 to 100	365.00	200.00	640.00
F	101 to 110	405.00	200.00	640.00
G	111 to 130	455.00	200.00	640.00
H	131 to 150	560.00	200.00	640.00
I	151 to 170	1,410.00	200.00	640.00
J	171 to 190	2,270.00	200.00	640.00
K	191 to 225	3,420.00	200.00	640.00
L	226 to 255	4,850.00	200.00	640.00
M	over 255	5,690.00	200.00	640.00

Some of the model features, optional extras and colours shown may not be available, or may only be available in a different specification, or at a different price.
¹Premium rate only applicable to vehicles where the list price is over £40,000 (or £50,000 for zero-emission electric vehicles), including any factory-fitted options, standard UK delivery charge, number plates, fuel and VAT





Services and insurance

Mercedes-Benz Service Plans

We believe that servicing and repair costs should be as flexible and affordable as possible for your EQE, which is why we offer a choice of Service Plans to make it easy to budget for all your servicing, MOT and repair costs. It spreads your bills into manageable monthly payments based on whether you have a new or used Mercedes-Benz.

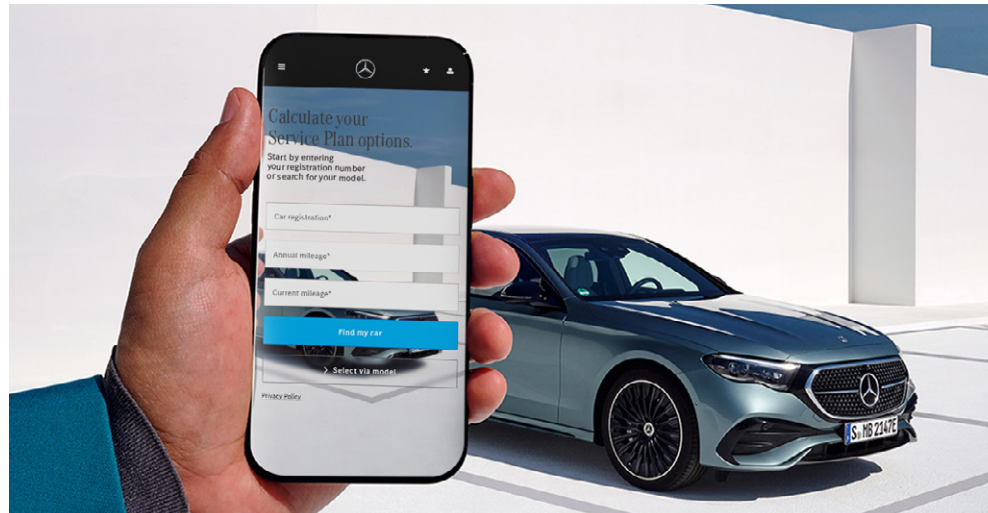
- **ServiceCare** – guarantees the price of parts and labour for up to four services and safeguards against any inflationary influences. It also covers your annual MOT fees depending on the age of your vehicle when you take your plan out.
- **CompleteCare** – our most comprehensive plan covering all your servicing, MOT, wear & tear needs as well as Extended Warranty once your vehicle turns four years old.
- **Extended Warranty** – protect yourself against sudden or unexpected repair costs after your initial warranty period has ended after three years. There are three policy options to choose from: 12-month, 24-month or a monthly pay-as-you-go option.

[Click here for more information](#)

Motor Insurance

We know that once you have chosen your Mercedes-Benz you can't wait to drive it – that's why we created First Cover.¹ It gives you 5 days' free comprehensive Motor Insurance when you buy a new or used vehicle from a Mercedes-Benz Agent. We will also send you a quote for annual cover, so you can enjoy the same peace of mind all year round.

[Apply for First Cover](#)



Battery Warranty

The battery is under warranty for either a maximum distance of 155,000 miles or up to ten years from the date of first registration, whichever comes first.²

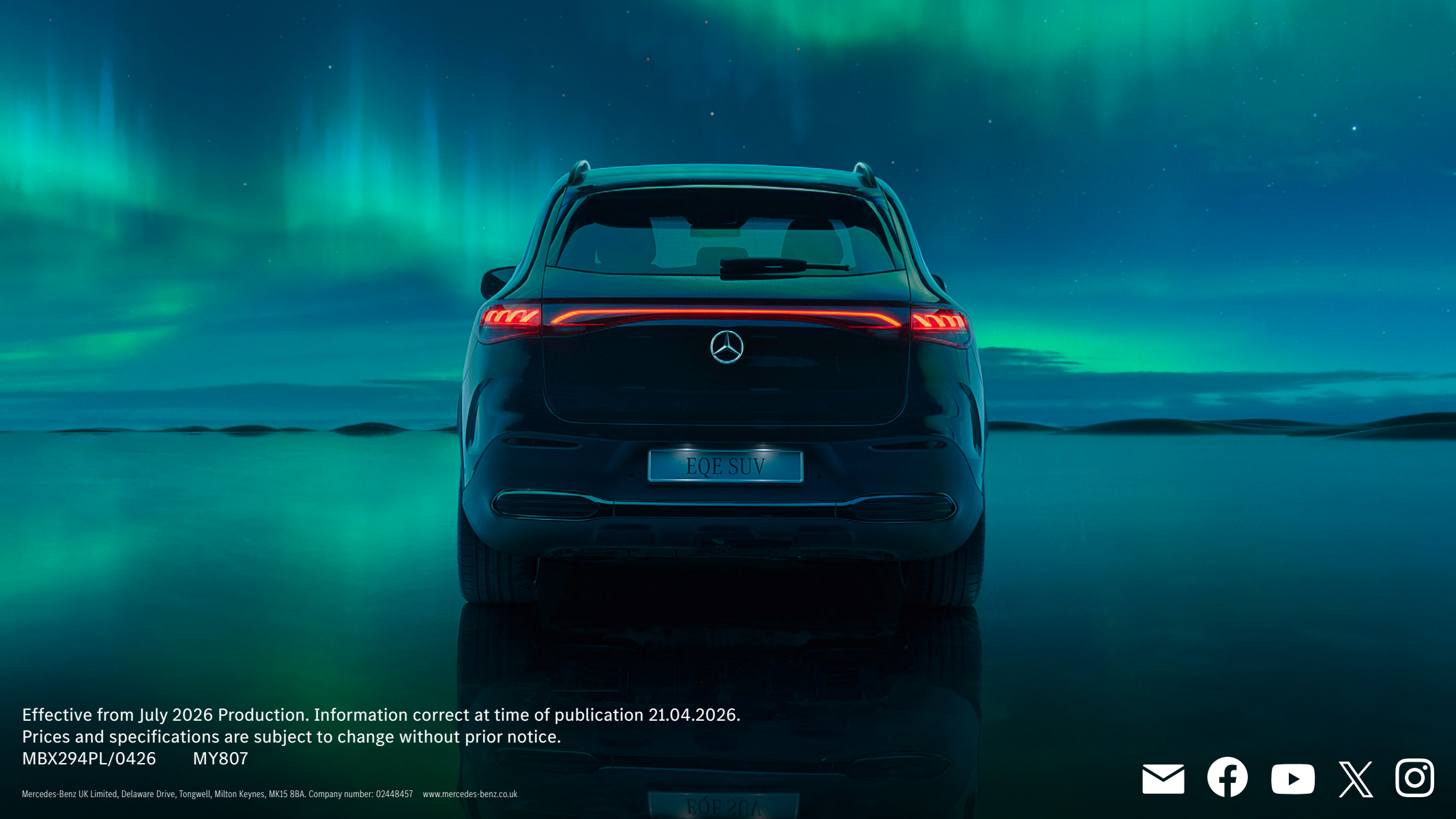
Warranty and breakdown cover

Every Mercedes-Benz comes with a three-year unlimited mileage warranty against manufacturing or material defects³ and up to 30 years warranty against perforation due to corrosion from the inside out.⁴ What's more, it's also covered by Mercedes-Benz Roadside Assistance – a unique package comprising up to 30 years pan-European breakdown assistance.⁴

¹Terms and Conditions apply. We are an independent intermediary dealing with selected insurers in respect of annual insurance Agents ²Subject to full Terms and Conditions, dependent on date of registration, available upon request

³Cars that hold a Hackney carriage vehicle licence (Taxicab) and/or Taxi Operator licence issued by a local authority, come with a 3-year 155,000-mile battery warranty

⁴Applies to vehicles sold by Mercedes-Benz in the UK to its franchised Mercedes-Benz Agents



Effective from July 2026 Production. Information correct at time of publication 21.04.2026.

Prices and specifications are subject to change without prior notice.

MBX294PL/0426 MY807

Mercedes-Benz UK Limited, Delaware Drive, Tongwell, Milton Keynes, MK15 8BA. Company number: 02448457 www.mercedes-benz.co.uk

