

Mercedes-Benz

THE ALL-NEW ELECTRIC GLC

Model Year 807 (Launch)
From March 2026 production





Model Overview



Colours



Upholsteries & Trim



Wheels



Optional Equipment



Pricing



Standard Equipment



Technical Data



Further Information



Digital Extras

Digital Extras



Services & Insurance



Roadside Assistance



Home Charging - Ohme



Home Charging - PodPoint



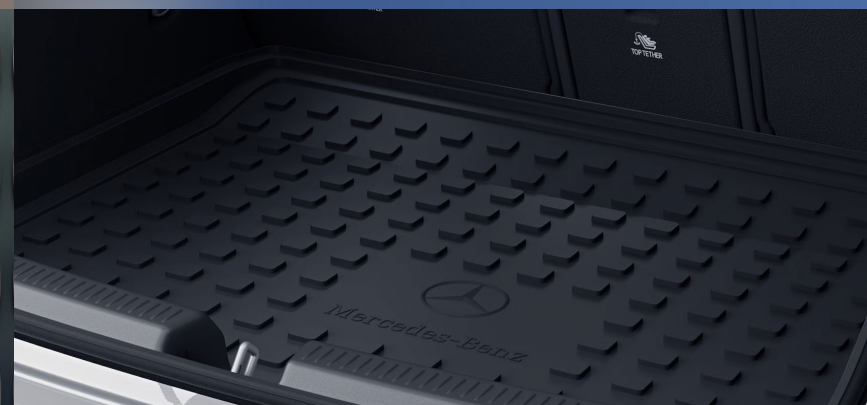
MB.CHARGE Public



Online Showroom



Configurator



Genuine Accessories

Model Overview



Sport



AMG Line



AMG Line Premium



AMG Line Premium Plus



Premier Edition





Sport



Some of the model features, optional extras and colours shown may not be available, or may be available in a different specification, or at a different price. Option shown: ARTICO man-made leather in black



[1]



[2]



[3]



[4]



[5]



[6]



[7]



[8]



[9]

Exterior Highlights

- 128 Litre 'Frunk' Front Storage Compartment [7]
- 20" Multi-Spoke Light-Alloy Wheels with Summer Tyres [1]
- AVANTGARDE Bodystyling with Black Wheel Arch Liners, Roof Rails in Silver Chrome and Bellines and Window Lines in Polished Aluminium [1]
- EASY-PACK Tailgate with EASY-PACK Load Compartment Cover [5]
- Heat and Noise Insulating Acoustic Glass [1]
- LED High Performance Headlamps with Active Highbeam Assist [1]
- Mercedes-Benz Iconic Grille with Surround and Panel in Silver Chrome [1,3,7]
- Privacy Glass [1]
- Ambient Lighting with Projection of Brand Logo
- SKY CONTROL Panoramic Roof [2,4]

Interior Highlights

- Anodised Look Anthracite Trim [6]
- Comfort Seats with ARTICO Man-Made Leather Upholstery, Black Seat Belts, Lumbar Support and Electric Adjustment
- Heated Front Seats
- Interior Partition Net [9]
- Multifunction Sports Steering Wheel in Nappa Leather [6]
- THERMATIC 2-Zone Climate Control
- Roof Liner in Black Fabric
- Interior Light Package
- USB Package Plus

Technology Highlights

- 10.3" Driver Display, 14" Central Display and 14" Digital Trim Panel
- Blind Spot Assist, Active Lane Keeping Assist, Brake Assist and Traffic Sign Assist
- Electric Charging Flap with DC charging up to 330kW, AC Charging up to 11kW [8]
- Parking Package with MB.DRIVE PARKING ASSIST and Reversing Camera
- PRE-SAFE® System
- Smartphone Integration and Wireless Charging for Mobile devices
- Selfie and Video Camera



AMG Line



Some of the model features, optional extras and colours shown may not be available, or may be available in a different specification, across all markets. Other colour options include leather in a very beige/black



Exterior Highlights

- 20" AMG 5-spoke Light-Alloy Wheels with Summer Tyres [1]
- AMG Line Bodystyling with Body-Coloured Wheel Arch Liners, Roof Rails in Silver Chrome and Beltlines and Window Lines in Polished Aluminium [1,7]
- Mercedes-Benz Iconic Grille with Panel in Dark Chrome with Partially Illuminated Mercedes-Benz Star [9]
- Surround Lighting via LDC Projector in the Front Doors with Animated Projection of the Mercedes-Benz Pattern [4]

Interior Highlights

- Ambient Lighting Package incl. 64 Colours, 10 Colour Schemes, 3 Dimming Zones and 20 Levels of Brightness [8]
- AMG Floor Mats and Aluminium Sports Pedals [3,5]
- AMG Line Sport Seat package with ARTICO Man-Made Leather Upholstery and Black Seat Belts
- Grey Open-Pore Finition Birch Wood Trim [6]
- Illuminated Door Sills with Interchangeable Cover [3]
- Instrument Panel and Beltlines in ARTICO Man-Made Leather in Nappa Look
- Memory Seat Package [2]
- Multifunction Sports Steering Wheel in Nappa Leather [5]

Technology Highlights

- Digital AMG Line: Specific Features of the MBUX Multimedia System and Sound World
- Digital Extra: MBUX Entertainment for 3 Years
- MBUX Superscreen: 10.3" Driver Display, 14" Central Display and 14" Passenger Display [8]





AMG Line
Premium



Some of the model features, optional extras and colours shown may not be available, or may be available in a different specification, or at a different price. Option shown: ARTICO man-made leather in black



Exterior Highlights

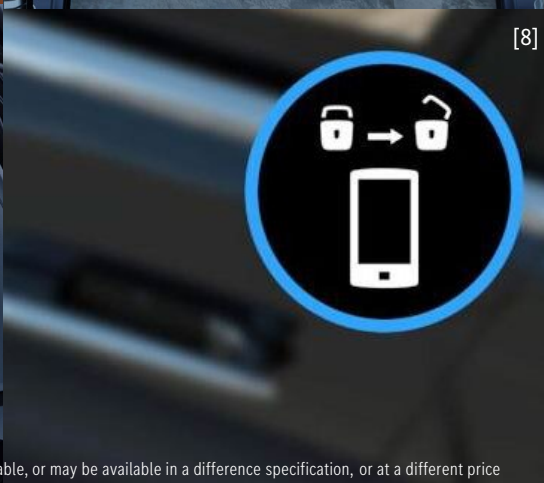
- 20" AMG 10-Spoke Light-Alloy Wheels with Summer Tyres [1]
- DIGITAL LIGHT Headlamps with Intelligent Light Modes, Topographical Compensation, Active Highbeam Assist Plus and Dynamic ULTRA RANGE Highbeam [7]
- KEYLESS GO Convenience Package: HANDS-FREE ACCESS, Flush-Fitting Door Handles and KEYLESS-GO [2]

Interior Highlights

- Active Ambient Lighting [9]
- Ambient Lighting Plus
- Dual Wireless Charging [3]
- Winter Package incl. Heated Steering Wheel and Heated Windscreen Wiper Blades

Technology Highlights

- 39.1" MBUX HYPERSCREEN [4]
- Burmester® 3D Surround Sound System with 15 speakers, 670 Watts, Automatic Sound Focus, Sound Personalisation and Dolby Atmos® Technology [6]
- Digital Vehicle Key for Smartphone [8]
- ENERGIZING Air Control: Air Quality Monitoring incl. Two-Stage Filter
- MBUX Augmented Reality Navigation
- Parking Package with 360° Camera
- Transparent Bonnet [5]





AMG Line
Premium Plus



Some of the model features, optional extras and colours shown may not be available, or may be available in a different specification, or at a different price. Option shown: ARTICO man-made leather in beech brown/black



Exterior Highlights

- 21" AMG Y-Spoke Light-Alloy Wheels with Summer Tyres [4]

Interior Highlights

- Black Open-Pore Fineline Ship's Deck Wood Trim [3]
- Heated Rear Seats [1]
- High-End Sports Seats: Massage, Climate Control Function and Extensive Electrical Adjustment Options and PRE-SAFE® Impulse Side [9]
- Illuminated Pattern in the Panoramic Roof [2,7]

Technology Highlights

- Burmester® High-End 4D Surround Sound System: 19 Speakers, 2 Exciters, 750 Watts, Dolby Atmos® Technology and Sound Personalisation [6]
- MBUX Augmented Navigation Head-up Display [5]
- Projection Functions for DIGITAL LIGHT Headlamps [8]



Premier Edition



Some of the model features, optional extras and colours shown may not be available, or may be available in a different specification, or at a different price. Option shown black leather with red topstitch



Exterior Highlights

- 21" AMG Multi-Spoke Light-Alloy Wheels with Summer Tyres [1]
- AMG Line Plus Bodystyling with Body-Coloured Wheel Arch Liners and Roof Rails in Black [1,3,5]
- AMG Spoiler Lip in High-Gloss Black [9]
- Night Package with Exterior Mirror Housing in High-Gloss Black [1,3,5]
- Mercedes-Benz Iconic Grille with Illuminated Surround and Illuminated Panel with Frame and Panel in Dark Chrome [3,7]



Interior Highlights

- Black / Silver Metallic Mixed Fabric Trim [4,8]
- Illuminated Door Sills with Interchangeable Cover in Black [2]
- Leather Upholstery in Black with Contrasting Topstitching in Red, with Black Seat Belts [6]
- Vehicle Key in High-Gloss Black



Personalisation



Polar White solid
[149] - Standard



Obsidian Black metallic
[197] - £750



High-Tech Silver metallic
[922] - £750



Lavender Silver metallic
[689] - £750



Sodalite Blue metallic
[842] - £750



Sapphire Blue metallic
[809] - £750



Personalisation



Manufaktur

Alpine Grey solid
[956] - £1,000



Manufaktur

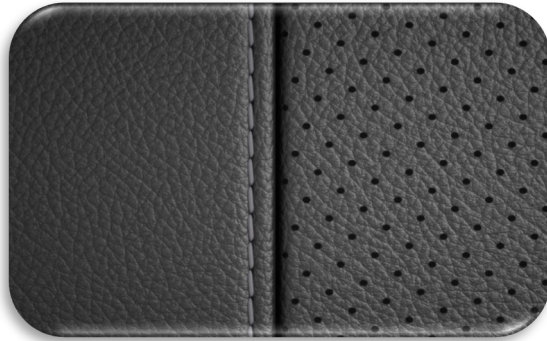
Opalite White Bright metallic
[885] - £1,000



Manufaktur

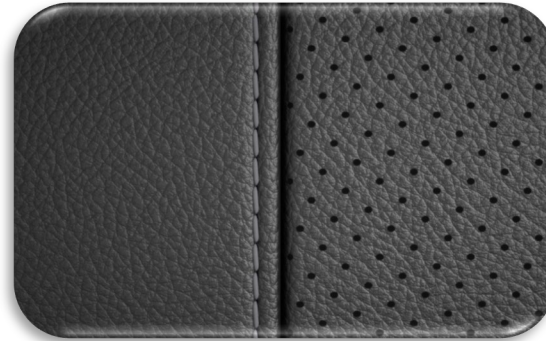
Patagonia Red metallic
[993] - £1,000

Personalisation



ARTICO man-made leather in black [101A]

Sport	✓
AMG Line	–
AMG Line Premium	–
AMG Line Premium Plus	–
Premier Edition	–



ARTICO man-made leather in black [111A]

Sport	–
AMG Line	✓
AMG Line Premium	✓
AMG Line Premium Plus	✓
Premier Edition	–



ARTICO man-made leather in beech brown/black [114A]

Sport	–
AMG Line	○
AMG Line Premium	○
AMG Line Premium Plus	○
Premier Edition	–



ARTICO man-made leather in ivory beige/black [115A]

Sport	–
AMG Line	○
AMG Line Premium	○
AMG Line Premium Plus	○
Premier Edition	–



Leather¹ in black with red topstitch [231A]

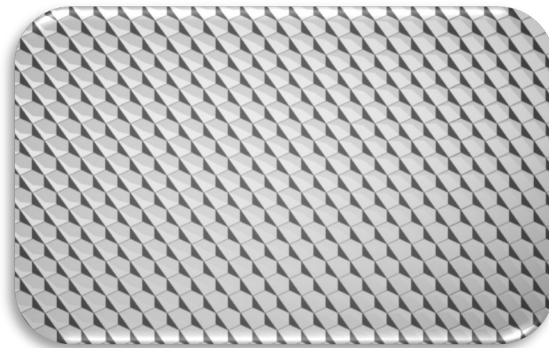
Sport	–
AMG Line	–
AMG Line Premium	–
AMG Line Premium Plus	–
Premier Edition	✓

Personalisation



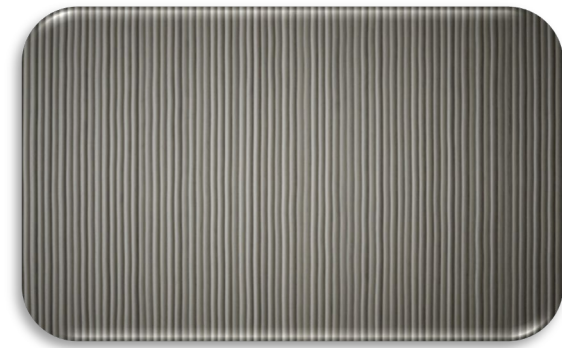
Anthracite anodised-look trim [59H]

Sport	✓
AMG Line	–
AMG Line Premium	–
AMG Line Premium Plus	–
Premier Edition	–



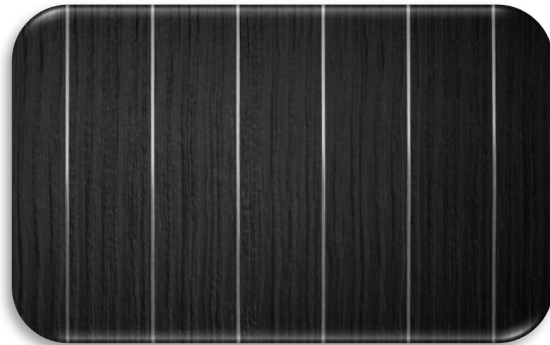
White open-pore natural fibre honeycomb design trim [27H]

Sport	○
AMG Line	–
AMG Line Premium	–
AMG Line Premium Plus	–
Premier Edition	–



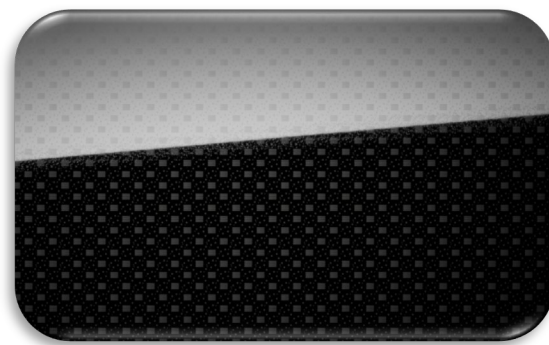
Grey open-pore fineline birch wood trim [25H]

Sport	–
AMG Line	✓
AMG Line Premium	✓
AMG Line Premium Plus	–
Premier Edition	–



Black open-pore fineline ship's deck wood trim [24H]

Sport	–
AMG Line	–
AMG Line Premium	–
AMG Line Premium Plus	✓
Premier Edition	–



Black/silver metallic mixed fabric trim [H75]

Sport	–
AMG Line	–
AMG Line Premium	–
AMG Line Premium Plus	–
Premier Edition	✓

Personalisation



20" multi-spoke light-alloy wheels [17R]

Sport	✓
AMG Line	–
AMG Line Premium	–
AMG Line Premium Plus	–
Premier Edition	–



20" AMG 5-spoke light-alloy wheels [RRN]

Sport	–
AMG Line	✓
AMG Line Premium	–
AMG Line Premium Plus	–
Premier Edition	–



20" AMG 10-spoke light alloy wheels [RVQ]

Sport	–
AMG Line	–
AMG Line Premium	✓
AMG Line Premium Plus	–
Premier Edition	–



21" AMG Y-spoke light-alloy wheels [RWD]

Sport	–
AMG Line	–
AMG Line Premium	–
AMG Line Premium Plus	✓
Premier Edition	–



21" AMG multi-spoke light-alloy wheels [RWI]

Sport	–
AMG Line	–
AMG Line Premium	–
AMG Line Premium Plus	–
Premier Edition	✓



Sustainability Package [DSP]

No-cost option

The Sustainability Package combines the Vegan Package including:

- Multifunction sports steering wheel in ARTICO man-made leather
- White open-pore natural fibre honeycomb design sustainable trim

The globally renowned 'The Vegan Society' has evaluated and certified as vegan all soft-touch surface materials in the Vegan Package for the interior of the electric GLC – from the seat upholstery to headliner, from pillar and door panels to carpeting. Customers can be assured that the tested surfaces made from the high-quality ARTICO man-made leather and textiles contain no animal-derived products.

The white open-pore natural fibre honeycomb design sustainable trim lends your vehicle interior an individual look. It blends in harmoniously while also creating exciting contrasts, thereby reinforcing and emphasising the interior design. At the same time, the trim element is an enduring quality attribute of a meticulously crafted premium product.

Sport	○
AMG Line	–
AMG Line Premium	–
AMG Line Premium Plus	–
Premier Edition	–

✓ indicates standard equipment, ○ indicates optional at no extra cost, – indicates not available, ● indicates a cost option. Price shown inclusive of VAT.



Refinement Package [DRP]

£2,500

Elevating your driving experience to unprecedented levels with the Refinement Package.

With AIRMATIC air suspension and rear axle steering, you experience noticeably more driving comfort and agility. The air suspension impresses with either sporty dynamics or high comfort. Thanks to rear axle steering, you benefit from particularly agile or confident handling, depending on the speed, and a smaller turning circle.

The package consists of:

- AIRMATIC air suspension
- Rear axle steering (up to 4.5°)

The AIRMATIC system includes:

- Adjustable suspension level
- Intelligent damper adjustment
- Intelligent damper control
- Intelligent level control
- Lowering the rear for easier loading and unloading

Sport	–
AMG Line	•
AMG Line Premium	•
AMG Line Premium Plus	•
Premier Edition	•

✓ indicates standard equipment, ○ indicates optional at no extra cost, – indicates not available, • indicates a cost option. Price shown inclusive of VAT.



Trailer Coupling with ESP® Trailer Stabilisation [550]

£1,000

Expand your transport options: You can hitch up trailers or caravans as well as mount bicycle racks. The fully electric trailer hitch moves into position at the press of a button or swings completely back after use – without you having to get your hands dirty.

The package includes:

- ESP® trailer stabilisation
- Tow bar

When towing a trailer, ESP® trailer stabilisation can automatically intervene in critical situations. It is automatically active from a speed of 40 mph.

If undesirable swaying movements are detected, the trailer stabilisation actively dampens them with the help of wheel-specific, reciprocal brake applications. In most cases this is already sufficient to reduce dangerous vibrations. If necessary, the system also reduces the speed: for this purpose, the engine torque is reduced and the vehicle is braked over all 4 wheels. Your vehicle recognises the trailer automatically as soon as the electric plug is connected.

Sport	•
AMG Line	•
AMG Line Premium	•
AMG Line Premium Plus	•
Premier Edition	•

✓ indicates standard equipment, ○ indicates optional at no extra cost, – indicates not available, ● indicates a cost option. Price shown inclusive of VAT.



Running Boards [846]

£1,000

The aluminium-look running boards are mounted at the side at the height of the side skirts and facilitate access at the front and in the rear. They feature a sporty "shaped" design and enhance the SUV character of your vehicle.

"Shaped" design: The running boards are narrower in the front and become wider towards the rear. This makes it easier to get in and out of the front of the vehicle as well as to conveniently load a roof box.

Anti-slip rubber studs: Rubber studs on the running board provide better footing when getting in and out.

Sport	–
AMG Line	●
AMG Line Premium	●
AMG Line Premium Plus	●
Premier Edition	–

✔ indicates standard equipment, ○ indicates optional at no extra cost, – indicates not available, ● indicates a cost option. Price shown inclusive of VAT.



22kW AC Charging [84B]

£1,000

With the enhanced AC charging system, you can charge your vehicle quickly and easily with up to 22 kW (3-phase) at suitable public charging stations or wallboxes.

This shortens your charging times considerably if you have high-powered AC charging available to you.

Sport	•
AMG Line	•
AMG Line Premium	•
AMG Line Premium Plus	•
Premier Edition	•

✓ indicates standard equipment, ○ indicates optional at no extra cost, - indicates not available, • indicates a cost option. Price shown inclusive of VAT.

Pricing

	Powertrain	Electric Range	CO ₂ ^{1*}	Basic RRP excl. VAT	Total RRP incl. VAT	Road Fund Licence ²	Rec. OTR Price ³	P11D Value	BIK Tax Rate 2026/27 ²
Sport	GLC 400 4MATIC electric	406	0	£49,566.67	£59,480	£10.00	£60,350	£60,285	4%
AMG Line	GLC 400 4MATIC electric	401	0	£52,066.67	£62,480	£10.00	£63,350	£63,285	4%
AMG Line Premium	GLC 400 4MATIC electric	398	0	£56,233.33	£67,480	£10.00	£68,350	£68,285	4%
AMG Line Premium Plus	GLC 400 4MATIC electric	395	0	£58,316.67	£69,980	£10.00	£70,850	£70,785	4%
Premier Edition	GLC 400 4MATIC electric	393	0	£60,400	£72,480	£10.00	£73,350	£73,285	4%

¹The indicated values were determined according to the prescribed measurement method - Worldwide Harmonised Light Vehicle Test Procedure (WLTP). Figures shown may include options which are not available in the UK. Battery Electric Vehicles (BEV) require mains electricity for charging, range figures determined with the battery fully charged. These models require mains electricity for charging ²Figures shown are for comparability purposes; only compare with other cars tested to the same technical procedures. Figures may not reflect real life driving results, which will depend upon a number of factors including factory-fitted options, accessories fitted (post registration), variations in weather, driving styles and vehicle load. Further information about the test used to establish fuel consumption and CO₂ figures can be found at <http://www.mercedes-benz.co.uk/WLTP> ³A different first year rate of Vehicle Excise Duty (Road Fund Licence) applies for new cars. ³The recommended on-the-road price includes the Road Fund Licence applicable to the standard model plus delivery charge (£780.00 incl. VAT), new vehicle registration fee (£55.00) and number plates (£25.00 incl. VAT). VAT is calculated at the standard rate of 20%. Some of the model features, optional extras and colours shown may not be available, or may only be available in a different specification, or at a different price

Standard Equipment

	Sport	AMG Line	AMG Line Premium Plus	Premier Edition
Battery & Charging				
Charging Cable - Mode 3 for wallbox and public charging stations, 5m straight	✓	✓	✓	✓
AC Charging System (11kW)	✓	✓	✓	✓
DC Charging System (330kW)	✓	✓	✓	✓
DC Charging System (compatible with 400V)	✓	✓	✓	✓
Electric vehicle charging flap	✓	✓	✓	✓
Engine, Transmission & Suspension				
4MATIC four-wheel drive - variable all-wheel drive system designed for all weather traction	✓	✓	✓	✓
Comfort suspension - with passive selective damping system	✓	✓	✓	✓
DYNAMIC SELECT with a choice driving modes (Eco, Comfort, Sport, Individual and Terrain)	✓	✓	✓	✓
Exterior				
AVANTGARDE bodystyling	✓	-	-	-
AMG Line bodystyling	-	✓	✓	-
AMG Line Plus bodystyling	-	-	-	✓
Night Package - additional gloss-black design elements	-	-	-	✓
AMG Spoiler Lip - high-gloss black	-	-	-	✓
Wheel arch liners in black	✓	-	-	-
Body- coloured wheel arches	-	✓	✓	✓
Roof rails in silver chrome	✓	✓	✓	-
Roof rails in black	-	-	-	✓
Surround lighting in the outside mirrors with Mercedes-Benz logo	✓	✓	✓	✓
Surround lighting via LCD projectors in the front doors with animated projection of the Mercedes-Benz pattern	-	✓	✓	✓
Mercedes-Benz iconic grille with light-coloured panel in silver chrome	✓	-	-	-
Mercedes-Benz iconic grille with illuminated surround and illuminated panel in dark chrome	-	✓	✓	-
Mercedes-Benz iconic grille with illuminated surround and illuminated panel with frame and panel in dark chrome	-	-	-	✓
Bow' design door handles	✓	✓	-	-
Seamless door handles with keyless entry	-	-	✓	✓
LED High Performance headlamps including integral LED daytime running lamps and Adaptive Highbeam Assist	✓	✓	-	-
DIGITAL LIGHT- HD light system with intelligent light modes, topographical compensation, Adaptive Highbeam Assist Plus and dynamic ULTRA RANGE Highbeam.	-	-	✓	-
DIGITAL LIGHT - with additional projection functions	-	-	-	✓
LED Tail Lamps	✓	✓	✓	✓
Brake callipers with 'Mercedes-Benz' lettering	✓	✓	✓	✓
EASY-PACK automatic powered tailgate - can be opened and closed at the touch of a button for more convenient loading and unloading of the boot	✓	✓	✓	✓
Heat and Noise Insulating Acoustic Glass for front windows	✓	✓	✓	✓
Heat Insulating Dark Tinted Privacy Glass	✓	✓	✓	✓
SKY CONTROL panoramic glass roof - Control the transparency of the panoramic roof as desired - crystal clear or matt	✓	✓	✓	✓
Illuminated Mercedes-Benz pattern in the glass of the panoramic roof	-	-	-	✓
Mirror Package - Electrically folding mirrors and automatically dimming rear view mirror	✓	✓	✓	✓
Heated windscreen wiper blade	-	-	✓	✓



✓ indicates standard equipment, ○ indicates optional at no extra cost, - indicates not available, ● indicates a cost option.

Standard Equipment

	Sport	AMG Line	AMG Line Premium Plus	Premier Edition
Wheels				
20" multi-spoke light-alloy wheels - with 235/50 R20 tyres on 8.0 J x 20 ET 32.7 wheels at the front axle and 265/45 R20 tyres on 9.5 J x 20 ET 58.2 wheels at the rear axle	✓	-	-	-
20" AMG 5-spoke light-alloy wheel - with 235/50 R20 tyres on 8.0 J x 20 ET 32.7 wheels at the front axle and 265/45 R20 tyres on 9.5 J x 20 ET 58.2 wheels at the rear axle	-	✓	-	-
20" AMG 10-spoke light alloy wheels - with 235/50 R20 tyres on 8.0 J x 20 ET 32.7 wheels at the front axle and 265/45 R20 tyres on 9.5 J x 20 ET 58.2 wheels at the rear axle	-	-	✓	-
21" AMG Y-spoke light-alloy wheels - with 235/45 R21 tyres on 8.0 J x 21 ET 25.2 wheels at the front axle and 265/40 R21 tyres on 9.5 J x 21 ET 58.2 wheels at the rear axle	-	-	-	✓
21" AMG multi-spoke light-alloy wheels - with 235/45 R21 tyres on 8.0 J x 21 ET 25.2 at the front axle and 265/40 R21 tyres on 9.5 J x 21 ET 58.2 at the rear axle	-	-	-	✓
Interior				
Floor mats - velour	✓	-	-	-
Floor mats - Black with AMG lettering	-	✓	✓	✓
AMG brushed stainless steel sports pedals with black rubber studs	-	✓	✓	✓
Interior light Package - the Interior Light Package provides comprehensive direct and indirect lighting. The LED lighting elements create a pleasant atmosphere and make it easier for you to operate in the dark.	✓	-	-	-
Ambient Lighting - at the front and in the rear, including a lighting line from the windscreen to the rear doors, 64 colours and 10 colour worlds	-	✓	-	-
Ambient Lighting Plus - based on the ambient lighting, with an additional light line on the contour of the centre console trim element, 64 colours and 10 colour worlds	-	-	✓	✓
Active Ambient Lighting - Enjoy visual displays, for example when you change the temperature setting, listen to music or communicate with the MBUX voice assistant. The warnings of some driver assistance and parking systems are also supported by the active ambient lighting. The lighting effects can be multi-coloured and animated.	-	-	✓	✓
Door sill panels with 'Mercedes-Benz' lettering	✓	-	-	-
Illuminated door sill panels with Mercedes-Benz lettering	-	✓	✓	-
Illuminated door sill panels in black with Mercedes-Benz lettering	-	-	-	✓
KEYLESS-GO starting function - push-button start	✓	✓	✓	✓
KEYLESS-GO Comfort Package - start and lock/unlock the car without touching the key. The tailgate can also be opened and closed with a kicking motion beneath the rear bumper	-	-	✓	✓
Boot Comfort Package - Practical load compartment equipment, including electrically folding rear seat backrests, height-adjustable load floor and 12 V socket	✓	✓	✓	✓
Split-Folding Rear Seats 40:20:40	✓	✓	✓	✓
Partition Net - to protect against unsecured objects in the luggage compartment	✓	✓	✓	✓
Load Compartment Cover - Removable roller blind to protect your luggage	✓	✓	✓	✓
Partly Electric Frunk - Conveniently unlock the frunk by touching the Mercedes-Benz badge on the bonnet	✓	✓	✓	✓
Electro-pneumatic 4-way lumbar support	✓	✓	✓	✓
Memory Package - Memory option for the seat position, lumbar support, steering column and outside mirrors settings for up to 3 people	-	✓	✓	✓
Heated Front Seats	✓	✓	-	-
Climatised Front Seats - Heated and Cooled	-	-	-	✓
Multicontour Massaging Front Seats	-	-	-	✓
Heated rear seats	-	-	-	✓
Double cupholder in centre console	✓	✓	✓	✓
Front centre armrest with stowage compartment	✓	✓	✓	✓
Illuminated and lockable glove compartment	✓	✓	✓	✓
THERMATIC two-zone automatic climate control	✓	✓	✓	✓



✓ indicates standard equipment, ○ indicates optional at no extra cost, - indicates not available, ● indicates a cost option.

Standard Equipment

	Sport	AMG Line	AMG Line Premium	AMG Line Premium Plus	Premier Edition
Steering					
3-spoke steering wheel in fine nappa leather with user-friendly control panels for the most distraction-free input possible	✓	-	-	-	-
Multifunction sports steering wheel in nappa leather is flattened at the bottom and deeply embossed in the grip area - perfect for sporty driving	-	✓	✓	✓	✓
Heated Steering Wheel	-	-	✓	✓	✓
Paint, Trim and Upholstery					
Comfort Seats - Seats designed for maximum seating comfort with extensive electrical adjustment options and 4-way adjustable head restraints	✓	-	-	-	-
Sports Seats - Sports seats in integral look with specific seat graphics and adjustable head restraints as well as extensive electrical adjustment options	-	✓	✓	✓	✓
High-end Sports Seats -Sports seats in integral look with specific seat graphics, massage and climate control function and extensive electrical adjustment options	-	-	-	✓	✓
Upholstery in ARTICO man-made leather	✓	✓	✓	✓	-
Upholstery in leather	-	-	-	-	✓
Trim elements anodised look anthracite	✓	-	-	-	-
Trim elements in grey open-pore fineline birch wood	-	✓	✓	-	-
Trim elements in black open-pore fineline ship's deck wood	-	-	-	-	-
Black/silver metallic mixed fabric trim	-	-	-	-	✓
Instrument panel and beltlines in ARTICO man-made leather in nappa look	✓	✓	✓	✓	✓
Black fabric roof liner	✓	✓	✓	✓	✓
Black seat belts	✓	✓	✓	✓	✓
Paint - Solid	✓	✓	✓	✓	✓
Safety and Assistance Systems					
Acoustic presence indicator - a sound is generated up to 19mph to warn cyclists and pedestrians of your presence	✓	✓	✓	✓	✓
Active bonnet - pedestrian safety measures which detects a collision and raises the bonnet to soften the impact	✓	✓	✓	✓	✓
Variable speed limiter	✓	✓	✓	✓	✓
Adaptive cruise control ¹	✓	✓	✓	✓	✓
Blind spot monitoring ¹	✓	✓	✓	✓	✓
Lane support system ¹	✓	✓	✓	✓	✓
Traffic sign assist ¹	✓	✓	✓	✓	✓
Extended Traffic sign assist ¹	✓	✓	✓	✓	✓
Autonomous emergency braking ¹	✓	✓	✓	✓	✓
Escalating emergency stop function ¹	✓	✓	✓	✓	✓
Emergency steering support ¹	✓	✓	✓	✓	✓
Door opening warning	✓	✓	✓	✓	✓
Collision prevention manoeuvring ¹	✓	✓	✓	✓	✓
Active blind spot monitoring ¹	✓	✓	✓	✓	✓
Rear view camera	✓	✓	✓	✓	✓
PRE-SAFE® system - Preventive occupant protection, including PRE-SAFE® Curve, PRE-SAFE® Sound, reversible belt tensioning and closing function for the side windows	✓	✓	✓	✓	✓
Increased anti-theft protection	✓	✓	✓	✓	✓
Parking Package with MB.DRIVE PARKING ASSIST and reversing camera	✓	✓	-	-	-
Parking package with 360° camera	-	-	✓	✓	✓
TIREFIT with Tyre Inflation Compressor	✓	✓	✓	✓	✓
Tyre Pressure Monitoring System	✓	✓	✓	✓	✓

¹Our driver assistance and safety systems are aids and do not relieve you of your responsibility as the driver. Please take note of the information in the Owner's Manual and the system limits which are described therein.

✓ indicates standard equipment, ○ indicates optional at no extra cost, - indicates not available, ● indicates a cost option.

Standard Equipment

	Sport	AMG Line	AMG Line Premium	AMG Line Premium Plus	Premier Edition
Communication and In-Car Entertainment					
10.3" Driver display, 14" central display and 14" digital trim panel	✓	•	•	•	•
MBUX Superscreen - 10.3" Driver display, 14" central display and 14" passenger display	•	✓	•	•	•
39.1" (99.1 cm) MBUX HYPERSCREEN with 8K resolution, 7,680 x 1,260 pixels, 220 PPI 60Hz refresh rate and matrix backlighting	•	•	•	•	•
DAB digital radio tuner	✓	✓	✓	✓	✓
Smartphone integration including Android Auto™ and Apple CarPlay™ 4	✓	✓	✓	✓	✓
Selfie & video camera	✓	✓	✓	✓	✓
USB package plus - 4 fast-charging USB-C ports for your mobile devices – 2 at the front and 2 in the rear	✓	✓	✓	✓	✓
Burmester 3D - Impressive 3D sound with 15 speakers, 670 watts of system output and automatic sound focus thanks, among other things, to seat recognition and Dolby Atmos®	-	-	✓	-	-
Burmester high-end 4D surround sound system - Unique 4D sound with 19 speakers, 4 exciters in the seats, 750 watts of system output as well as automatic sound focus and Dolby Atmos	-	-	-	✓	✓
Hard-Disk Navigation	✓	✓	✓	✓	✓
Head-up Display	-	-	-	✓	✓
MBUX Augmented Reality Navigation	-	-	✓	✓	✓
Wireless charging system for mobile devices in the front 4	✓	✓	-	-	-
Wireless charging system for mobile devices in the front – double 4	-	-	✓	✓	✓
Digital Services					
Digital Extra: MBUX Entertainment - 3 years 5	✓	✓	✓	✓	✓
Digital extra: MBUX Navigation - 7 years 5	✓	✓	✓	✓	✓
Digital Extra: Remote Services – unlimited 5	✓	✓	✓	✓	✓
Digital Extra: MB.CHARGE Public – unlimited 5	✓	✓	✓	✓	✓
Digital Extra: Keyless Go in smartphone – unlimited 5	-	-	✓	✓	✓
MB e-Call system - 10 years	✓	✓	✓	✓	✓
GUARD 360° Vehicle Protection Plus - 3 years 5	✓	✓	✓	✓	✓

⁴Compatible mobile phone required. Please check www.mercedes-benz.com for details or contact your local Mercedes-Benz Agent for further information.

⁵To use this service, you must register on the Digital Extras portal and also accept the Terms of Use for the Digital Extras services. In addition, the respective vehicle must be paired with the user account. Upon expiry of the initial term, the services can be extended for a fee. Initial activation of the services is possible within 1 year of first registration or commissioning by the customer, whichever comes first.

✓ indicates standard equipment, ○ indicates optional at no extra cost, - indicates not available, ● indicates a cost option.

Optional Equipment

			Sport	AMG Line	AMG Line Premium	AMG Line Premium Plus	Premier Edition
Sustainability Package	[DSP]	-	○	-	-	-	-
Vegan Package including ARTICO steering wheel			^	-	-	-	-
Trim element in white open-pore natural fibre honeycomb design			^	-	-	-	-
Trailer Coupling with ESP Stabilisation	[550]	£1,000	●	●	●	●	●
Tow Bar			^	^	^	^	^
ESP Trailer Stabilisation			^	^	^	^	^
Running Boards	[846]	£1,000	-	●	●	●	-
Aluminium look running boards			-	^	^	^	-
Refinement Package	[DRP]	£2,500	-	●	●	●	●
AIRMATIC Air Suspension			-	^	^	^	^
Rear Axle Steering (up to 4.5°)			-	^	^	^	^
Solid Paint							
Polar White	[149U]	Standard	✓	✓	✓	✓	✓
Metallic Paint							
Obsidian Black	[197U]	£750	●	●	●	●	●
High-tech Silver	[922U]	£750	●	●	●	●	●
Lavender Silver	[689U]	£750	●	●	●	●	●
Sodalite Blue	[842U]	£750	●	●	●	●	●
Sapphire Blue	[809U]	£750	●	●	●	●	●
MANUFAKTUR Paint							
Alpine Grey Solid	[956U]	£1,000	●	●	●	●	●
Opalite White Bright	[885U]	£1,000	●	●	●	●	●
Patagonia Red Metallic	[993U]	£1,000	●	●	●	●	●
22kW AC Charging	[84B]	£1,000	●	●	●	●	●



✓ indicates standard equipment, ○ indicates optional at no extra cost, - indicates not available, ● indicates a cost option, ^ indicates part of a package

Technical Data



CO ₂ & Consumption Values						
Engine	Fuel Type	Transmission	Model Variant	CO ₂ Combined (g/km)	Energy Consumption - combined (Wh/km) ¹	EAER Electric Range (miles) ¹
GLC 400 4MATIC electric	EV	2-Speed Transmission	Sport	0	164	406
			AMG Line	0	166	401
			AMG Line Premium	0	168	398
			AMG Line Premium Plus	0	169	395
			Premier Edition	0	170	393

Wheels & Tyres				
Model	Wheel Code	Description	Front	Rear
Sport	17R	20" multi-spoke light-alloy wheels	235/50/R20	265/45/R20
AMG Line	RRN	20" AMG 5-spoke light-alloy wheels	235/50/R20	265/45/R20
AMG Line Premium	RVQ	20" AMG 10-spoke light-alloy wheels	235/50/R20	265/45/R20
AMG Line Premium Plus	RWD	21" AMG Y-spoke light-alloy wheels	235/45/R21	265/40/R21
Premier Edition	RWI	21" AMG multi-spoke light-alloy wheels	235/45/R21	265/40/R21

¹Figures shown are for comparability purposes; only compare with other cars tested to the same technical procedures. Figures may not reflect real life driving results, which will depend upon a number of factors including the starting charge of the battery, factory-fitted options, accessories fitted (post registration), variations in weather, driving styles and vehicle load. Further information about the test used to establish range, power consumption and CO₂ figures can be found at www.mercedes-benz.co.uk/WLTP.

Technical Data

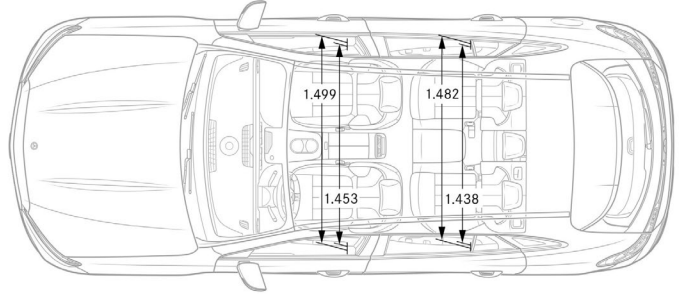
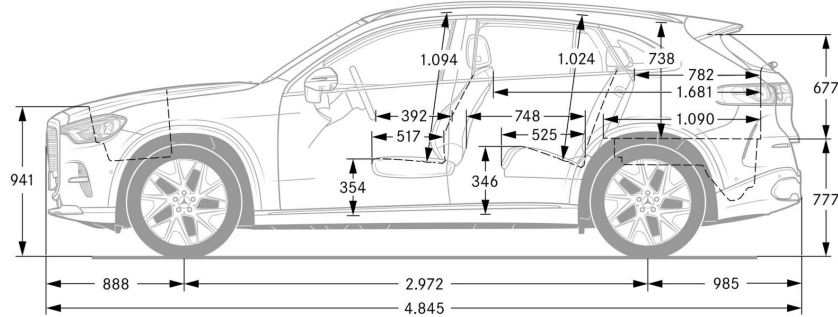
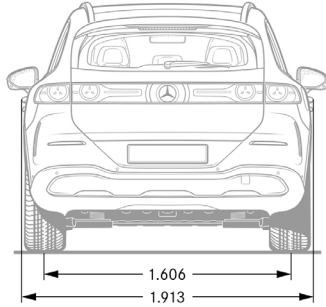
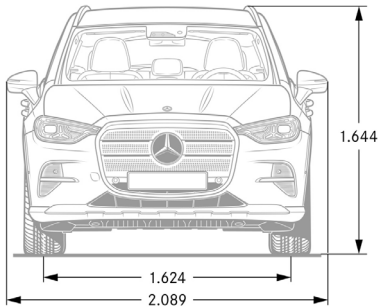
GLC 400 4MATIC
electric

Emissions		
CO ₂ (g/km)		-
Emissions standard		Euro 6-WLTP
Powertrain		
Powertrain		Dual electric motor
Gearbox		2 speed transmission
Drive type		4x4 (AWD)
Electric motor type		PSM
Power ¹	hp (kW)	489 (360)
Torque ¹	Nm	800
Powertrain		
Acceleration (0-62mph)	sec	4.3
Top speed	mph	130
Battery		
Battery type		Lithium-ion
Battery capacity (useable)	kWh	94
Battery warranty		8 Years / 100,000 Miles
Battery capacity % guaranteed under warranty		70%
Charging		
On-board charger (AC)	kW	11 (22 optional)
Charging time - Wallbox 11kW AC ²	0-100%	10 hours
Charging time - Home Wallbox 7kW AC ³	0-100%	15.25 hours
On-board charger (DC)	kW	330
Charging time - public rapid charger (330kW) ⁴	10-80%	22 minutes
Range		
Electric Range	miles	387 - 406 miles
Electric energy consumption, combined ⁵	Wh/km	164 - 173
Weights & Capacities		
Kerb weight	kg	2,655 - 2,747
Permissible gross vehicle weight	kg	3,040
Boot capacity - seats up/down	litres	520 / 1,690
Frunk ⁶ capacity	litres	128
Frunk ⁶ capacity (ISO 3832)	litres	100
Maximum roof load	kg	75
Permissible trailer load (unbraked/braked [at 12%])	kg	750 / 2,400
Permissible tow ball weight	kg	100

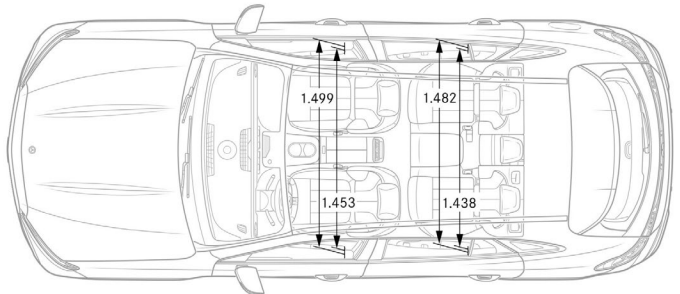
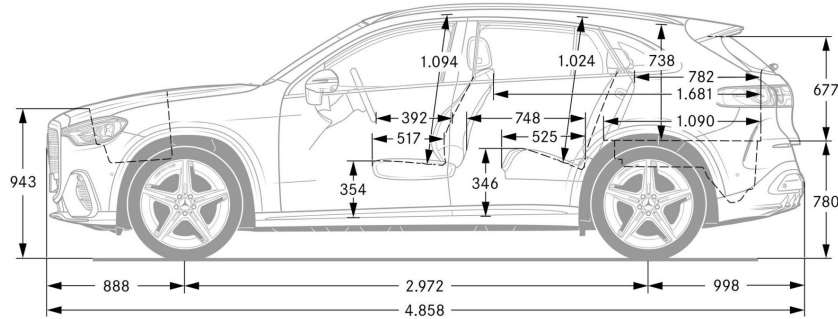
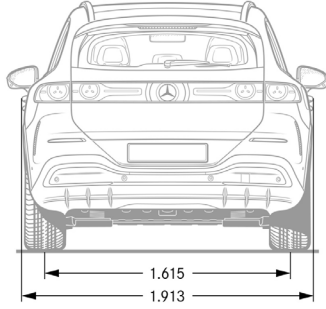
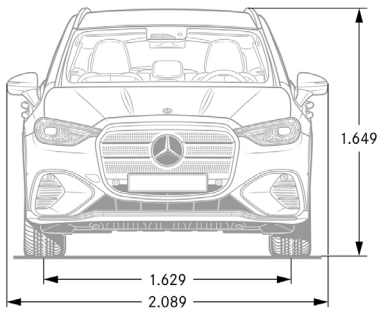
¹Figures according to Regulation (EC) No. 595/2009 in the currently applicable version. ²³Specified voltage and current values refer to network infrastructure and can be limited by the vehicle. Times are from 10-100% charge using a wallbox (three-phase) or standard socket (single-phase). ⁴Specified voltage and current values refer to network infrastructure and can be limited by the vehicle. Times are from 10-80% charge using rapid public charging at 170kW. ⁵Figures shown are for compatibility purposes; only compare with other cars tested to the same technical procedures. Figures may not reflect real life driving results, which will depend upon a number of factors including the starting charge of the battery, factory-fitted options, accessories fitted (post registration), variations in weather, driving styles and vehicle load. Further information about the test used to establish range, power consumption and CO₂ figures can be found at www.mercedes-benz.co.uk/WLTP. Specified voltage and current values refer to network infrastructure and can be limited by the vehicle

Technical Data

Sport



AMG Line/AMG Line Premium/AMG Line Premium Plus/Premier Edition



Technical Data

Model Variant	Energy Consumption Combined (Wh/km) ¹	EAER Electric Range (Miles) ¹
GLC 400 4MATIC electric Sport	164	406
GLC 400 4MATIC electric Sport 22kW AC Charging	164	406
GLC 400 4MATIC electric Sport Trailer Coupling	166	401
GLC 400 4MATIC electric Sport Sustainability Package	164	406
GLC 400 4MATIC electric Sport 22kW AC Charging and Trailer Coupling	166	401
GLC 400 4MATIC electric Sport 22kW AC Charging and Sustainability Package	164	406
GLC 400 4MATIC electric Sport Trailer Coupling and Sustainability Package	166	401
GLC 400 4MATIC electric Sport 22kW AC Charging, Trailer Coupling and Sustainability Package	166	401
GLC 400 4MATIC electric AMG Line	166	401
GLC 400 4MATIC electric AMG Line 22kW AC Charging	167	400
GLC 400 4MATIC electric AMG Line Refinement Package	165	403
GLC 400 4MATIC electric AMG Line Trailer Coupling	169	396
GLC 400 4MATIC electric AMG Line Running Boards	167	400
GLC 400 4MATIC electric AMG Line 22kW AC Charging and Refinement Package	166	402
GLC 400 4MATIC electric AMG Line 22kW AC Charging and Trailer Coupling	169	395
GLC 400 4MATIC electric AMG Line 22kW AC Charging and Running Boards	167	399
GLC 400 4MATIC electric AMG Line Refinement Package and Trailer Coupling	167	399
GLC 400 4MATIC electric AMG Line Refinement Package and Running Boards	166	402
GLC 400 4MATIC electric AMG Line 22kW AC Charging, Refinement Package and Running Boards	166	401
GLC 400 4MATIC electric AMG Line 22kW AC Charging, Refinement Package and Trailer Coupling	168	398
GLC 400 4MATIC electric AMG Line Refinement Package, Trailer Coupling and Running Boards	168	398
GLC 400 4MATIC electric AMG Line 22kW AC Charging, Trailer Coupling and Running Boards	169	395
GLC 400 4MATIC electric AMG Line 22kW AC Charging, Refinement Package, Trailer Coupling and Running Boards	168	397
GLC 400 4MATIC electric AMG Line Premium	168	398
GLC 400 4MATIC electric AMG Line Premium 22kW AC Charging	168	397
GLC 400 4MATIC electric AMG Line Premium Refinement Package	166	401
GLC 400 4MATIC electric AMG Line Premium Trailer Coupling	170	393
GLC 400 4MATIC electric AMG Line Premium Running Boards	168	398
GLC 400 4MATIC electric AMG Line Premium 22kW AC Charging and Refinement Package	166	401
GLC 400 4MATIC electric AMG Line Premium 22kW AC Charging and Trailer Coupling	170	392
GLC 400 4MATIC electric AMG Line Premium 22kW AC Charging and Running Boards	168	397
GLC 400 4MATIC electric AMG Line Premium Refinement Package and Trailer Coupling	168	397
GLC 400 4MATIC electric AMG Line Premium Refinement Package and Running Boards	167	400
GLC 400 4MATIC electric AMG Line Premium 22kW AC Charging, Refinement Package and Running Boards	167	400
GLC 400 4MATIC electric AMG Line Premium 22kW AC Charging, Refinement Package and Trailer Coupling	168	396
GLC 400 4MATIC electric AMG Line Premium Refinement Package, Trailer Coupling and Running Boards	169	396
GLC 400 4MATIC electric AMG Line Premium 22kW AC Charging, Trailer Coupling and Running Boards	170	393
GLC 400 4MATIC electric AMG Line Premium 22kW AC Charging, Refinement Package, Trailer Coupling and Running Boards	168	396

¹Figures shown are for compatibility purposes; only compare with other cars tested to the same technical procedures. Figures may not reflect real life driving results, which will depend upon a number of factors including the starting charge of the battery, factory-fitted options, accessories (post registration), variations in weather, driving styles and vehicle load. Further information about the test used to establish range, power consumption and CO2 figures can be found at www.mercedes-benz.co.uk/WLTP

Technical Data

Model Variant	Energy Consumption Combined (Wh/km) ¹	EAER Electric Range (Miles) ¹
GLC 400 4MATIC electric AMG Line Premium Plus	169	395
GLC 400 4MATIC electric AMG Line Premium Plus 22kW AC Charging	169	394
GLC 400 4MATIC electric AMG Line Premium Plus Refinement Package	168	398
GLC 400 4MATIC electric AMG Line Premium Plus Trailer Coupling	171	390
GLC 400 4MATIC electric AMG Line Premium Plus Running Boards	169	395
GLC 400 4MATIC electric AMG Line Premium Plus 22kW AC Charging and Refinement Package	168	397
GLC 400 4MATIC electric AMG Line Premium Plus 22kW AC Charging and Trailer Coupling	172	389
GLC 400 4MATIC electric AMG Line Premium Plus 22kW AC Charging and Running Boards	169	395
GLC 400 4MATIC electric AMG Line Premium Plus Refinement Package and Trailer Coupling	170	393
GLC 400 4MATIC electric AMG Line Premium Plus Refinement Package and Running Boards	168	396
GLC 400 4MATIC electric AMG Line Premium Plus 22kW AC Charging, Refinement Package and Running Boards	169	396
GLC 400 4MATIC electric AMG Line Premium Plus 22kW AC Charging, Refinement Package and Trailer Coupling	170	393
GLC 400 4MATIC electric AMG Line Premium Plus Refinement Package, Trailer Coupling and Running Boards	170	392
GLC 400 4MATIC electric AMG Line Premium Plus 22kW AC Charging, Trailer Coupling and Running Boards	172	390
GLC 400 4MATIC electric AMG Line Premium Plus 22kW AC Charging, Refinement Package, Trailer Coupling and Running Boards	171	391
GLC 400 4MATIC electric Premier Edition	170	393
GLC 400 4MATIC electric Premier Edition 22kW AC Charging	170	392
GLC 400 4MATIC electric Premier Edition Trailer Coupling	172	388
GLC 400 4MATIC electric Premier Edition Refinement Package	169	395
GLC 400 4MATIC electric Premier Edition 22kW AC Charging and Trailer Coupling	173	387
GLC 400 4MATIC electric Premier Edition 22kW AC Charging and Refinement Package	169	395
GLC 400 4MATIC electric Premier Edition Refinement Package and Trailer Coupling	171	391
GLC 400 4MATIC electric Premier Edition 22kW AC Charging, Refinement Package and Trailer Coupling	171	390

¹Figures shown are for compatibility purposes; only compare with other cars tested to the same technical procedures. Figures may not reflect real life driving results, which will depend upon a number of factors including the starting charge of the battery, factory-fitted options, accessories (post registration), variations in weather, driving styles and vehicle load. Further information about the test used to establish range, power consumption and CO2 figures can be found at www.mercedes-benz.co.uk/WLTP



Effective from March 2026 production. Information correct at time of publication 05.11.2025.
Prices and specifications are subject to change without prior notice.

Mercedes-Benz UK Limited, Delaware Drive, Tongwell, Milton Keynes, MK15 8BA. Company number: 02448457