

Mercedes-Benz

E-Class Saloon & Estate

Model Year 807

From June 2026 production



Some of the model features, optional extras and colours shown may not be available, or may be available in a different specification, or at a different price. Option shown: High Tech Silver metallic



Model Overview



Colours



Upholsteries & Trim



Wheels



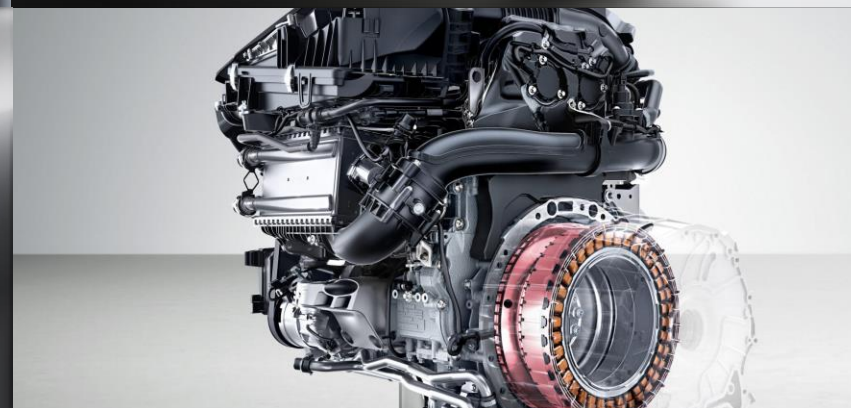
Optional Equipment



Pricing



Standard Equipment



Technical Data



Further Information



Digital Extras



Services & Insurance



Roadside Assistance



Home Charging - Ohme



Home Charging - Pod



MB.CHARGE Public



Online Showroom



Configurator



Genuine Accessories

Model Overview



Urban Edition



AMG Line Premium



AMG Line Premium Plus



Exclusive Premium



Exclusive Premium Plus

Model Overview



E 53 HYBRID Premium



E 53 HYBRID Night Edition Premium Plus





Urban Edition



Some of the model features, optional extras and colours shown may not be available, or may be available in a different specification, or at a different price. Option shown: ARTICO man-made leather/MICROCUT microfibre in black



Exterior Highlights

- 20" multi-spoke AMG alloy wheels with summer tyres [1]
- AMG Line exterior with deepened air intakes and diamond radiator grille
- EASY-PACK electronic tailgate (*Estate only*)
- LED High Performance headlamps with Adaptive Highbeam Assist [2]
- KEYLESS-GO (lock/unlock doors and starting function)
- Mirror Package [3]
- Night Package
- Privacy glass

Interior Highlights

- 64-colour ambient lighting [4]
- AMG brushed stainless steel sports pedals with rubber studs
- Black roof lining
- Floor mats with AMG lettering
- Heated front seats with partial electric adjustment and 4-way lumbar support
- THERMATIC two-zone climate control
- Instrument panel and door beltlines in ARTICO nappa-look leather
- Rear seat folding backrest

Technology Highlights

- Blind Spot Assist [5]
- DAB digital radio tuner
- GUARD 360 vehicle protection [6]
- 12.3" driver's display
- 14.4" central media display with MBUX [7]
- Active park assist with PARKTRONIC
- Reversing camera
- USB package plus
- Wireless charging [8]
- Wireless smartphone integration with Apple CarPlay and Android Auto

Some of the model features, optional extras and colours shown may not be available, or may be available in a different specification, or at a different price



**AMG Line
Premium**



Some of the model features, optional extras and colours shown may not be available, or may be available in a different specification, or at a different price. Option shown: Leather in black



Exterior Highlights

- 19" AMG 5-twin spoke alloy wheels [1]
- DIGITAL LIGHT with Adaptive Highbeam Assist Plus [2]
- Panoramic sliding sunroof [3]
- KEYLESS-GO Comfort Package with Seamless Door Handles

Interior Highlights

- Leather upholstery
- Illuminated front door sills with 'Mercedes-Benz' lettering
- Climatised front seats
- Memory package [4]
- Backlit illuminated dashboard trim [5]
- Heated steering wheel [6]

Technology Highlights

- Burmester 4D surround sound system [7]
- GUARD 360 vehicle protection plus
- Active Park Assist with PARKTRONIC and 360 camera [8]





**AMG Line
Premium Plus**



Some of the model features, optional extras and colours shown may not be available, or may be available in a different specification, or at a different price. Option shown: Leather in black



Exterior Highlights

- 20" AMG multi-spoke light-alloy wheels with summer tyres [1]
- Acoustic glass [2]

Interior Highlights

- Active ambient lighting
- Heated armrests [3]
- Multicontour front massaging seats [4]

Technology Highlights

- Head-up display [5]
- MBUX Superscreen package, with the 14.4" central display blending seamlessly with the front passengers 12.3" touchscreen under one piece of glass [6]





Exclusive
Premium





Exterior Highlights

- 19" multi-spoke alloy wheels with summer tyres [1]
- Acoustic glass
- Exclusive Line exterior styling [2]
- DIGITAL LIGHT with Adaptive Highbeam Assist Plus
- KEYLESS-GO comfort access
- Mirror package
- Panoramic sliding sunroof
- Privacy glass



Interior Highlights

- Exclusive Line interior [3]
- Memory package
- Heated steering wheel
- THERMATIC two-zone climate control
- Velour floor mats [4]

Technology Highlights

- Blind spot assist [5]
- Burmester 4D surround sound system [6]
- GUARD 360 vehicle protection plus
- Active Park Assist with 360° camera
- USB package plus
- Wireless charging [7]





Exclusive
Premium Plus



Some of the model features, optional extras and colours shown may not be available, or may be available in a different specification, or at a different price. Option shown: Nappa Leather in Black



Exterior Highlights

- 20" AMG multi-spoke alloy wheels with summer tyres [1]
- Acoustic glass [2]

Interior Highlights

- Quilted nappa leather
- Heated armrests [3]
- Multicontour massaging front seats [4]

Technology Highlights

- Head-up display [5]
- MBUX Superscreen package [6]





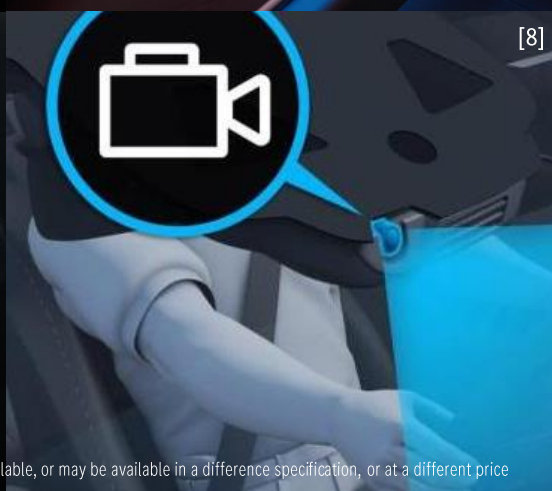
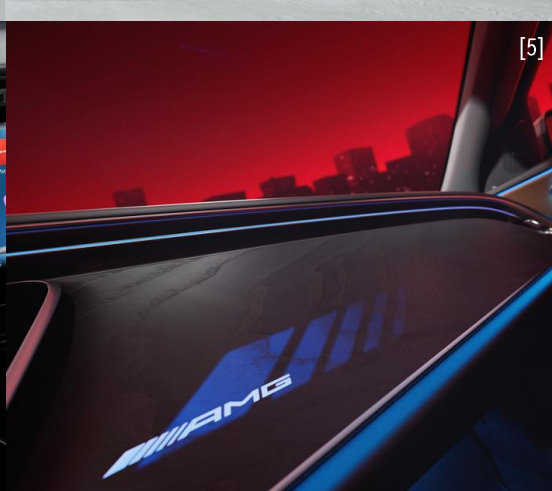
Premium



Some of the model features, optional extras and colours shown may not be available, or may be available in a different specification, or at a different price. Option shown: Obsidian Black metallic



Some of the model features, optional extras and colours shown may not be available, or may be available in a different specification, or at a different price. Option shown: Nappa Leather in Black



Exterior Highlights

- 20" AMG 10-twin-spoke alloy wheels with summer tyres [1]
- Acoustic glass
- AMG boot lip spoiler (*Saloon only*) [2]
- Brake callipers painted in silver
- DIGITAL LIGHT with Adaptive Highbeam Assist Plus
- KEYLESS-GO comfort access
- Mirror package
- Panoramic sliding sunroof
- Heat insulating privacy glass
- Illuminated radiator grille [3]
- Surround lighting with logo projection

Interior Highlights

- Active ambient lighting
- AMG floor mats
- AMG performance steering wheel in nappa leather [4]
- Dash trim with backlit AMG illumination [5]
- AMG real performance sound
- Illuminated front door sill panels with 'AMG' lettering
- Memory package
- Climatised front seats
- Sports seats [6]
- Heated steering wheel
- THERMATIC two-zone climate control

Technology Highlights

- Blind spot assist
- Burmester® 4D surround sound system [7]
- Dashcam [8]
- MBUX augmented reality navigation [9]
- Active Park Assist with 360° camera
- USB package plus



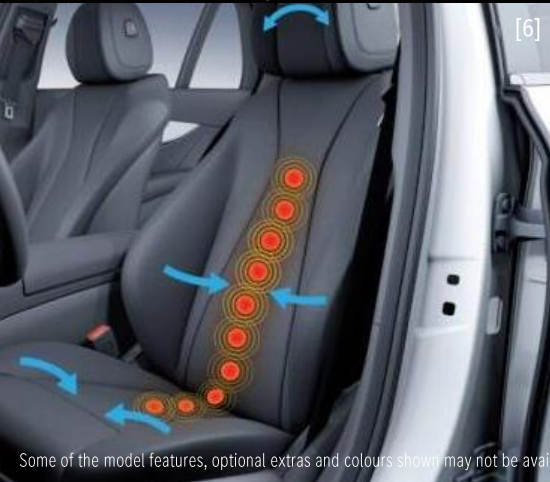
Night Edition
Premium Plus



Some of the model features, optional extras and colours shown may not be available, or may be available in a different specification, or at a different price. Option shown: MANUFATUR Opalite White magno



Some of the model features, optional extras and colours shown may not be available, or may be available in a different specification, or at a different price. Option shown: Nappa Leather in Black



Exterior Highlights

- 20" AMG 5-twin-spoke alloy wheels with summer tyres [1]
- AMG Night package [2]
- Residual engine heat utilisation

Interior Highlights

- AMG performance steering wheel in nappa leather/MICROCUT microfibre [3]
- AIR-BALANCE package [4]
- Heated armrests [5]
- Multicontour massaging front seats [6]
- THERMOTRONIC four-zone climate control [7]
- Winter package
- Carbon fibre dashboard and centre console trim

Technology Highlights

- Head-up display [8]

Some of the model features, optional extras and colours shown may not be available, or may be available in a different specification, or at a different price

Personalisation



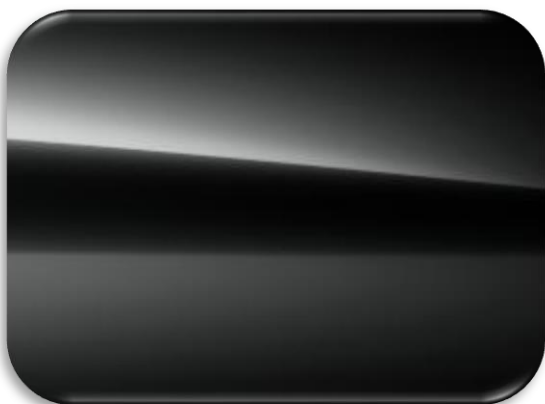
Obsidian Black metallic
[197] - Standard



Nautic Blue metallic
[595] - No-cost option



High-Tech Silver metallic
[922] - No-cost option



Graphite Grey metallic
[831] - No-cost option



Verde Silver metallic
[188] - No-cost option



Velvet Brown metallic
[771] - No-cost option

Personalisation



Manufaktur

Alpine Grey solid
[956] - £695



Manufaktur

Opalite White Bright metallic
[885] - £695



Manufaktur

Patagonia Red metallic
[993] - £695

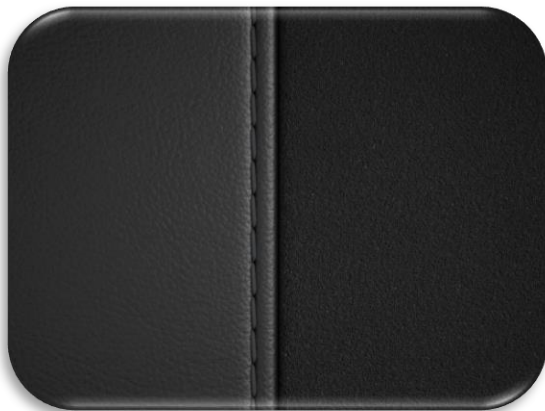
AMG Exclusive



Manufaktur

Opalite White magno
[659] - £1,825

Personalisation



ARTICO man-made leather/MICROCUT microfibre sports seats in black [601A]

Urban Edition	✓
AMG Line Premium	–
AMG Line Premium Plus	–



Leather¹ comfort seats in black [201A]

Urban Edition	–
AMG Line Premium	✓
AMG Line Premium Plus	✓



Leather¹ comfort seats in Tonka brown [204A]

Urban Edition	–
AMG Line Premium	○
AMG Line Premium Plus	○



Leather¹ comfort seats in Macchiato beige/black [205A]

Urban Edition	–
AMG Line Premium	○
AMG Line Premium Plus	○

✓ indicates standard equipment, ○ indicates optional at no extra cost, – indicates not available. Price indicates optional at the cost shown. ¹ At least 80% of the seat upholstery is pure leather, while up to 20% may consist of man-made leather.

Personalisation



Leather¹ comfort seats in black [201A]

Exclusive Premium

Exclusive Premium Plus



Leather¹ in comfort seats in Tonka brown [214A]

Exclusive Premium

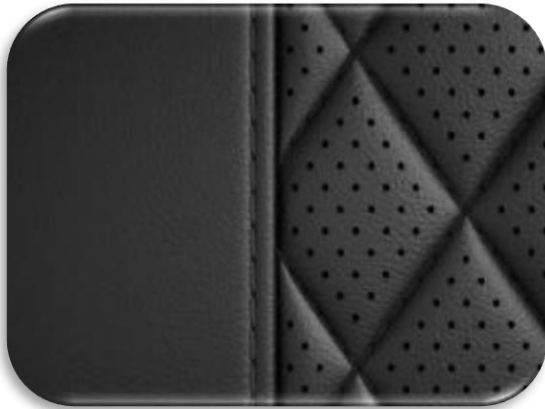
Exclusive Premium Plus



Leather¹ comfort seats in Macchiato beige [215A]

Exclusive Premium

Exclusive Premium Plus



Nappa Leather² comfort seats in black [801A]

Exclusive Premium £1,000

Exclusive Premium Plus



Nappa Leather² comfort seats in Tonka brown [814A]

Exclusive Premium £1,000

Exclusive Premium Plus



Nappa Leather² comfort seats in Neva grey [808A]

Exclusive Premium £1,000

Exclusive Premium Plus



✓ indicates standard equipment, ○ indicates optional at no extra cost, - indicates not available. Price indicates optional at the cost shown.¹ At least 80% of the seat upholstery is pure leather, while up to 20% may consist of man-made leather.² 100% of the seat upholstery is pure leather.

Personalisation



Nappa Leather¹ sports seats in black [851A]

E 53 HYBRID 4MATIC+ Premium



E 53 HYBRID 4MATIC+ Night Editon Premium Plus



Nappa Leather¹ sports seats in Tonka brown/black [854A]

E 53 HYBRID 4MATIC+ Premium



E 53 HYBRID 4MATIC+ Night Editon Premium Plus



Nappa Leather¹ sports seats in Neva grey/black [858A]

E 53 HYBRID 4MATIC+ Premium



E 53 HYBRID 4MATIC+ Night Editon Premium Plus



Nappa Leather¹ performance seats in black [851A]²

E 53 HYBRID 4MATIC+ Premium



E 53 HYBRID 4MATIC+ Night Editon Premium Plus

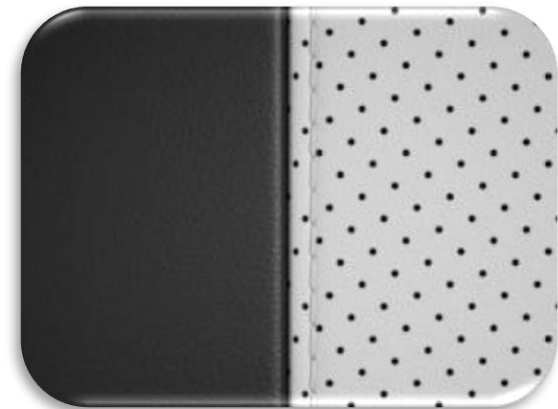


Nappa Leather¹ performance seats in Tonka brown/black [854A]²

E 53 HYBRID 4MATIC+ Premium



E 53 HYBRID 4MATIC+ Night Editon Premium Plus



Nappa Leather¹ performance seats in Neva grey/black [858A]²

E 53 HYBRID 4MATIC+ Premium



E 53 HYBRID 4MATIC+ Night Editon Premium Plus

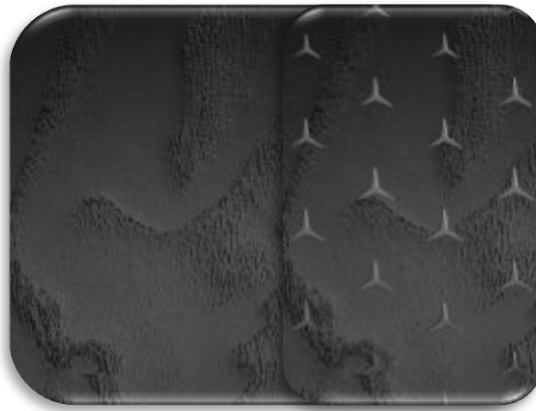


Personalisation



Centre Console and Dashboard in black open-pore ash wood trim [753/10H]

Urban Edition	✓
AMG Line Premium	–
AMG Line Premium Plus	–



Centre Console and Dashboard in black open-pore ash wood trim, with illuminated Mercedes-Benz star pattern dashboard [753/11H]

Urban Edition	–
AMG Line Premium	✓
AMG Line Premium Plus	–



Centre Console in black open-pore ash wood trim, front passenger display in lieu of Dashboard trim [753]

Urban Edition	–
AMG Line Premium	–
AMG Line Premium Plus	✓



Centre Console and Dashboard in brown open-pore maple wood trim with aluminium lines [667/14H]

Exclusive Premium	✓
Exclusive Premium Plus	–



Centre Console in brown open-pore maple wood trim with aluminium lines, front passenger display in lieu of Dashboard trim [667]

Exclusive Premium	–
Exclusive Premium Plus	✓



Centre Console and Dashboard¹ in black open-pore ash wood trim [753/10H]

Exclusive Premium	○
Exclusive Premium Plus	○



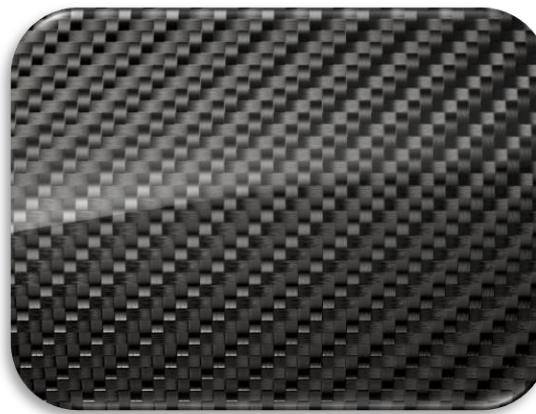
✓ indicates standard equipment, ○ indicates optional at no extra cost, – indicates not available. Price indicates optional at the cost shown.¹Centre console only for Exclusive Premium Plus, where front passenger display is fitted as standard in lieu of the dashboard trim

Personalisation



Centre Console and Dashboard in grey open-pore ash wood trim, with backlit AMG logo [768/08H]

E 53 Premium	✓
E 53 Night Edition Premium Plus	–



Centre Console and Dashboard in AMG carbon fibre trim [732/H73]

E 53 Premium	–
E 53 Night Edition Premium Plus	✓



Centre Console and Dashboard in grey open-pore ash wood trim, front passenger display in lieu of dashboard trim [768/PAG]*

E 53 Premium	○
E 53 Night Edition Premium Plus	–



Centre Console and Dashboard in AMG carbon fibre trim, front passenger display in lieu of dashboard trim [732/PAG]*

E 53 Premium	–
E 53 Night Edition Premium Plus	○

Personalisation



20" AMG multi-spoke alloy wheels [RVR]

Urban Edition	✓
AMG Line Premium	–
AMG Line Premium Plus	–
Exclusive Premium	–
Exclusive Premium Plus	–



19" AMG 5-twin-spoke light-alloy wheels [RTE]

Urban Edition	–
AMG Line Premium	✓
AMG Line Premium Plus	–
Exclusive Premium	–
Exclusive Premium Plus	–



20" AMG multi-spoke alloy wheels [RVQ]

Urban Edition	–
AMG Line Premium	–
AMG Line Premium Plus	✓
Exclusive Premium	–
Exclusive Premium Plus	✓



19" multi-spoke light-alloy wheels [11R]

Urban Edition	–
AMG Line Premium	–
AMG Line Premium Plus	–
Exclusive Premium	✓
Exclusive Premium Plus	–



21" AMG multi-spoke light-alloy wheels [RWA]

Urban Edition	–
AMG Line Premium	–
AMG Line Premium Plus	£1,000
Exclusive Premium	–
Exclusive Premium Plus	£1,000

Personalisation



20" AMG 10-twin-spoke light-alloy wheels [RVM]

E 53 Premium	✓
E 53 Night Edition Premium Plus	–



20" AMG 5-twin-spoke light-alloy wheels [RTP]

E 53 Premium	–
E 53 Night Edition Premium Plus	✓



20" AMG 10-twin-spoke alloy wheels [RVN]

E 53 Premium	–	£1,000
E 53 Night Edition Premium Plus	–	£1,000



21" AMG cross-spoke forged alloy wheels [RWB]¹

E 53 Premium	✓
E 53 Night Edition Premium Plus	–



21" AMG cross-spoke forged alloy wheels [RWC]¹

E 53 Premium	✓
E 53 Night Edition Premium Plus	–



Refinement Package [DRP]

£3,500 – Saloon

£2,500 – Estate

Standard on E 450 d 4MATIC

The Refinement Package enhances driving comfort and agility. The package consists of:

- AIRMATIC Air Suspension with Adaptive Damping System and Automatic Level Control
- Rear Axle Steering (up to 4.5°) – Saloon only

For an exceptional ride on even moderately challenging off-road surfaces, AIRMATIC with Adaptive Damping System responds promptly to uneven terrain, independently adjusting for each wheel, thereby establishing a foundation for smooth and relaxed journeys. Additionally, the Automatic Level Control system identifies the load, maintaining a consistent suspension level throughout the ride.

Rear Axle Steering provides a more agile and stable ride. Depending on the vehicle's speed, you can enjoy particularly agile and spontaneous steering characteristics like in a short-wheel base vehicle, or you can drive with the effortless superiority and stability of a long-wheelbase luxury saloon on the motorway.

Urban Edition	–
AMG Line Premium	○
AMG Line Premium Plus	○
Exclusive Premium	○
Exclusive Premium Plus	○
E 53 HYBRID Premium	–
E 53 HYBRID Night Edition Premium Plus	–

✔ indicates standard equipment, ○ indicates optional at no extra cost, – indicates not available, ● indicates a cost option. Price indicates optional at the cost shown. Price shown inclusive of VAT.

Some of the model features, optional extras and colours shown may not be available, or may be available in a different specification, or at a different price. Optional equipment may change the CO2 value, please check your desired specification on the online configurator.



Superscreen Package [PAG]

£1,495

Introducing the MBUX Superscreen Package, where two displays seamlessly merge beneath a single glass surface. This setup provides your front passenger with their own personalised display and control space. Here, they can enjoy movies on the go, access apps or engage in video conferences using the selfie and video camera functionalities. The Superscreen Package consists of:

- 12.3" Front Passenger Display
- Visual Shield Function
- Selfie and Video Camera

The impressive 14.4" Central Media Display combines with the 12.3" Front Passenger Display under a continuous glass surface. With Visual Shield Function, the front passenger can enjoy moving content whilst the vehicle is in motion, as the screen is blanked off from the driver's view to avoid distraction. The Selfie and Video Camera captures precious memories and gives the ability to join video conferences with the integrate camera on the instrument panel. The camera covers both the driver and front passenger sides

Urban Edition	-
AMG Line Premium	○
AMG Line Premium Plus	✓
Exclusive Premium	○
Exclusive Premium Plus	✓
E 53 HYBRID Premium	-
E 53 HYBRID Night Edition Premium Plus	○

✓ indicates standard equipment, ○ indicates optional at no extra cost, - indicates not available, ● indicates a cost option. Price indicates optional at the cost shown. Price shown inclusive of VAT.

Some of the model features, optional extras and colours shown may not be available, or may be available in a different specification, or at a different price. Optional equipment may change the CO2 value, please check your desired specification on the online configurator.



Driving Assistance Package Plus [P20]

£1,695

The Driving Assistance Package Plus contains a range of highly intelligent features to help you stay safe on the road – by making the drive more effortless, by warning of danger and by taking steps to protect you in an emergency.

- Active Braking Assist
- Active Distance Assist DISTRONIC
- Active Emergency Stop Assist
- Active Evasive Steering Assist
- Active Lane Keeping Assist
- Active Speed Limit Assist
- Active Stop-and-Go Assist
- Active Steering Assist
- Active Traffic Sign Assist
- Congestion Emergency Brake Function
- Emergency Corridor Function Assist
- Exit Warning Function
- Extended Automatic Restart on Motorways
- Hazard display via Ambient Lighting
- PRE-SAFE PLUS inc. PRE-SAFE Impulse Side
- Route-based speed adjustment

Urban Edition	–
AMG Line Premium	○
AMG Line Premium Plus	○
Exclusive Premium	○
Exclusive Premium Plus	○
E 53 HYBRID Premium	○
E 53 HYBRID Night Edition Premium Plus	○

✓ indicates standard equipment, ○ indicates optional at no extra cost, – indicates not available, ● indicates a cost option. Price indicates optional at the cost shown. Price shown inclusive of VAT.



Some of the model features, optional extras and colours shown may not be available, or may be available in a different specification, or at a different price. Optional equipment may change the CO2 value, please check your desired specification on the online configurator. Our driver assistance and safety systems are aids and do not relieve you of your responsibility as the driver. Please take note of the information in the Owner's Manual and the system limits which are described therein.



Trailer Coupling with ESP® Trailer Stabilisation [550]

£695

With the Trailer Coupling with ESP® Trailer Stabilisation, you can hitch up trailers or caravans and mount cycle racks. The trailer coupling is ready for use in no time at all and can be folded in again behind the rear bumper just as quickly when it is no longer needed. The package consists of:

- Electronically extending and retracting tow bar
- ESP® trailer stabilisation

Operating safety is the top priority: to fold out the trailer coupling, you must first unlock it via the control button in the boot. As soon as the button light goes out, the trailer coupling is correctly engaged and is therefore ready to use.

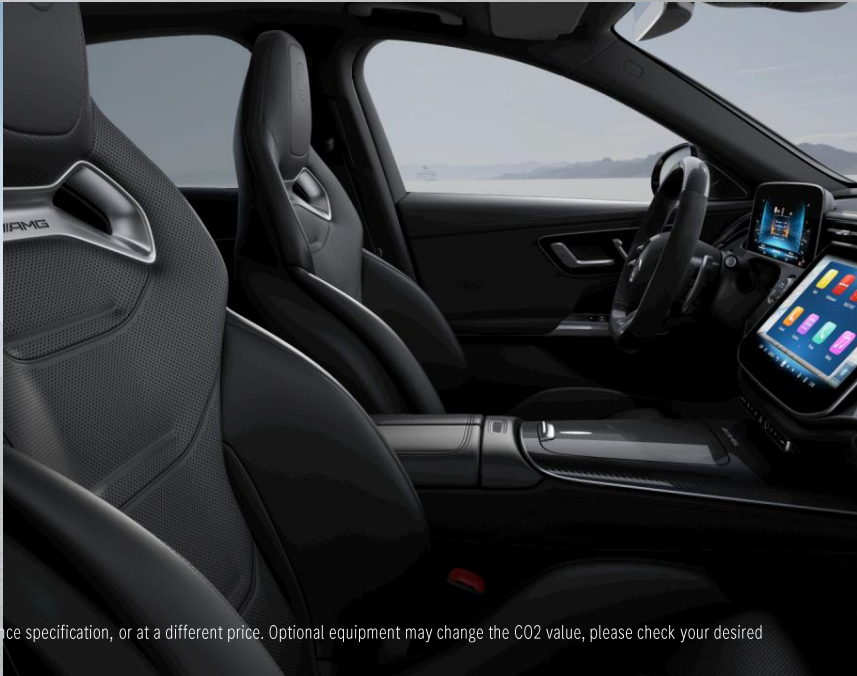
The ESP trailer stabilisation can intervene automatically in critical situations when driving with a trailer. The associated sensor system detects the trailer independently as soon as the electric plug is connected to your vehicle.

The ESP stabilisation functions are automatically active from a speed of 40mph. When undesired oscillating motions are detected, the system actively dampens these with the aid of alternate brake actuation of each individual wheel.

Urban Edition	–
AMG Line Premium	○
AMG Line Premium Plus	○
Exclusive Premium	○
Exclusive Premium Plus	○
E 53 HYBRID Premium	○
E 53 HYBRID Night Edition Premium Plus	○

✓ indicates standard equipment, ○ indicates optional at no extra cost, – indicates not available, ● indicates a cost option. Price indicates optional at the cost shown. Price shown inclusive of VAT.

Some of the model features, optional extras and colours shown may not be available, or may be available in a different specification, or at a different price. Optional equipment may change the CO2 value, please check your desired specification on the online configurator.



Pro Performance Package – Premium [DPP]

£7,500

Elevate the sporting character of your Mercedes-AMG E 53 HYBRID Premium with the Pro Performance Package. With performance upgrades and aesthetic enhancements, your E 53 has the performance to match its athletic looks. The package consists of:

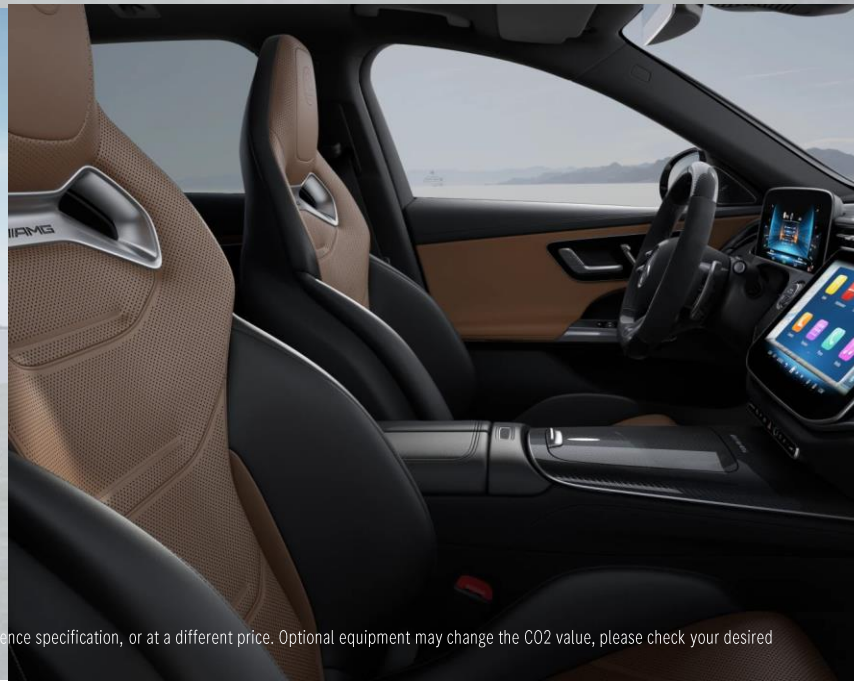
- AMG Driver's Package with increased top speed (174mph)
- AMG DYNAMICS PLUS Package
- AMG Rear Axle Limited-slip Differential
- Dynamic Engine Mounts
- AMG High Performance Composite Brake System – Brake discs on the front axle in composite technology, diameter 390x36mm, brake discs on the rear axle, diameter 360x26mm
- RACE START function
- AMG TRACK PACE
- 21" AMG forged alloy wheels
- Red painted brake callipers with AMG lettering
- AMG Carbon Fibre Centre Console trim
- AMG Carbon Fibre Dashboard trim
- AMG Performance Steering Wheel in Carbon Fibre/MICROCUT
- AMG High-End Performance Seat Package

E 53 HYBRID Premium

E 53 HYBRID Night Edition Premium Plus

✓ indicates standard equipment, ○ indicates optional at no extra cost, – indicates not available, ● indicates a cost option. Price indicates optional at the cost shown. Price shown inclusive of VAT.

Some of the model features, optional extras and colours shown may not be available, or may be available in a different specification, or at a different price. Optional equipment may change the CO2 value, please check your desired specification on the online configurator.



Pro Performance Package – Night Edition Premium Plus [DPP]

£7,500

Elevate the sporting character of your Mercedes-AMG E 53 HYBRID Premium with the Pro Performance Package. With performance upgrades and aesthetic enhancements, your E 53 has the performance to match its athletic looks. The package consists of:

- AMG Driver's Package with increased top speed (174mph)
- AMG DYNAMICS PLUS Package
- AMG Rear Axle Limited-slip Differential
- Dynamic Engine Mounts
- AMG High Performance Composite Brake System – Brake discs on the front axle in composite technology, diameter 390x36mm, brake discs on the rear axle, diameter 360x26mm
- RACE START function
- AMG TRACK PACE
- 21" AMG forged alloy wheels
- Red painted brake callipers with AMG lettering
- Night Package II – Extended dark chrome elements, including the AMG radiator grille, door handles, typography and the AMG crest
- AMG Carbon Fibre Centre Console trim
- AMG Carbon Fibre Dashboard trim
- AMG Performance Steering Wheel in Carbon Fibre/MICROCUT
- AMG High-End Performance Seat Package

E 53 HYBRID Premium

-

E 53 HYBRID Night Edition Premium Plus

•

✓ indicates standard equipment, ○ indicates optional at no extra cost, - indicates not available, ● indicates a cost option. Price indicates optional at the cost shown. Price shown inclusive of VAT.

Some of the model features, optional extras and colours shown may not be available, or may be available in a different specification, or at a different price. Optional equipment may change the CO2 value, please check your desired specification on the online configurator.

Pricing - Saloon

	Powertrain	CO2 ¹	Basic RRP excl. VAT	Total RRP incl. VAT	Road Fund Licence ²	Rec. OTR Price ³	P11D Value	BIK Tax Rate 2026/27
Urban Edition	E 200	148	£46,458.33	£55,750.00	£560.00	£57,170.00	£56,055.00	35%
	E 220 d	126	£47,916.67	£57,500.00	£455.00	£58,815.00	£57,805.00	31%
	E 300 e	48	£53,958.33	£64,750.00	£115.00	£65,725.00	£65,555.00	7%
	E 300 de	40	£55,625.00	£66,750.00	£115.00	£67,725.00	£67,555.00	7%
AMG Line Premium	E 200	150	£50,520.83	£60,625.00	£560.00	£62,045.00	£60,930.00	36%
	E 220 d	127	£51,979.17	£62,375.00	£455.00	£63,690.00	£62,680.00	31%
	E 300 e	49	£58,229.17	£69,875.00	£115.00	£70,850.00	£70,680.00	7%
	E 300 de	41	£59,895.83	£71,875.00	£115.00	£72,850.00	£72,680.00	7%
	E 450 d 4MATIC	156	£66,145.83	£79,375.00	£1,410.00	£81,645.00	£79,680.00	37%
AMG Line Premium Plus	E 200	151	£56,250.00	£67,500.00	£1,410.00	£69,770.00	£67,805.00	36%
	E 220 d	129	£57,708.33	£69,250.00	£455.00	£70,565.00	£69,555.00	31%
	E 300 e	50	£63,958.33	£76,750.00	£115.00	£77,725.00	£77,555.00	10%
	E 300 de	43	£65,625.00	£78,750.00	£115.00	£79,725.00	£79,555.00	10%
	E 450 d 4MATIC	158	£71,875.00	£86,250.00	£1,410.00	£88,520.00	£86,555.00	37%
Exclusive Premium	E 200	151	£50,520.83	£60,625.00	£1,410.00	£62,895.00	£60,930.00	36%
	E 220 d	129	£51,979.17	£62,375.00	£455.00	£63,690.00	£62,680.00	31%
	E 300 e	50	£58,229.17	£69,875.00	£115.00	£70,850.00	£70,680.00	10%
	E 300 de	43	£59,895.83	£71,875.00	£115.00	£72,850.00	£72,680.00	7%
	E 450 d 4MATIC	158	£66,145.83	£79,375.00	£1,410.00	£81,645.00	£79,680.00	37%
Exclusive Premium Plus	E 200	153	£56,250.00	£67,500.00	£1,410.00	£69,770.00	£67,805.00	36%
	E 220 d	129	£57,708.33	£69,250.00	£455.00	£70,565.00	£69,555.00	31%
	E 300 e	50	£63,958.33	£76,750.00	£115.00	£77,725.00	£77,555.00	10%
	E 300 de	43	£65,625.00	£78,750.00	£115.00	£79,725.00	£79,555.00	10%
	E 450 d 4MATIC	158	£71,875.00	£86,250.00	£1,410.00	£88,520.00	£86,555.00	37%
Mercedes-AMG	E 53 HYBRID 4MATIC+ Premium	72	£75,958.33	£91,150.00	£135.00	£92,145.00	£91,955.00	21%
	E 53 HYBRID 4MATIC+ Night Edition Premium Plus	72	£80,854.17	£97,025.00	£135.00	£98,020.00	£97,830.00	21%

¹The indicated values were determined according to the prescribed measurement method - Worldwide Harmonised Light Vehicle Test Procedure (WLTP). Figures shown may include options which are not available in the UK. Battery Electric Vehicles (BEV) require mains electricity for charging, range figures determined with the battery fully charged. These models require mains electricity for charging. ²Figures shown are for comparability purposes; only compare with other cars tested to the same technical procedures. Figures may not reflect real life driving results, which will depend upon a number of factors including factory-fitted options, accessories fitted (post registration), variations in weather, driving styles and vehicle load. Further information about the test used to establish fuel consumption and CO₂ figures can be found at <http://www.mercedes-benz.co.uk/WLTP> ³A different first year rate of Vehicle Excise Duty (Road Fund Licence) applies for new cars. ³The recommended on-the-road price includes the Road Fund Licence applicable to the standard model plus delivery charge (£780.00 incl. VAT), new vehicle registration fee (£55.00) and number plates (£25.00 incl. VAT). VAT is calculated at the standard rate of 20%. Some of the model features, optional extras and colours shown may not be available, or may only be available in a different specification, or at a different price.

Pricing - Estate

	Powertrain	CO2 ¹	Basic RRP excl. VAT	Total RRP incl. VAT	Road Fund Licence ²	Rec. OTR Price ³	P11D Value	BIK Tax Rate 2026/27
Urban Edition	E 200	155	£48,333.33	£58,000.00	£1,410.00	£60,270.00	£58,305.00	37%
	E 220 d	132	£49,791.67	£59,750.00	£560.00	£61,170.00	£60,055.00	32%
	E 300 e	52	£55,833.33	£67,000.00	£135.00	£67,995.00	£67,805.00	17%
	E 300 de	45	£57,500.00	£69,000.00	£115.00	£69,975.00	£69,805.00	10%
AMG Line Premium	E 200	156	£52,395.83	£62,875.00	£1,410.00	£65,145.00	£63,180.00	37%
	E 220 d	133	£53,854.17	£64,625.00	£560.00	£66,045.00	£64,930.00	32%
	E 300 e	53	£60,104.17	£72,125.00	£135.00	£73,120.00	£72,930.00	17%
	E 300 de	46	£61,770.83	£74,125.00	£115.00	£75,100.00	£74,930.00	10%
	E 450 d 4MATIC	162	£68,020.83	£81,625.00	£1,410.00	£83,895.00	£81,930.00	37%
AMG Line Premium Plus	E 200	157	£58,125.00	£69,750.00	£1,410.00	£72,020.00	£70,055.00	37%
	E 220 d	134	£59,583.33	£71,500.00	£560.00	£72,920.00	£71,805.00	32%
	E 300 e	54	£65,833.33	£79,000.00	£135.00	£79,995.00	£79,805.00	17%
	E 300 de	47	£67,500.00	£81,000.00	£115.00	£81,975.00	£81,805.00	10%
	E 450 d 4MATIC	163	£73,750.00	£88,500.00	£1,410.00	£90,770.00	£88,805.00	37%
Exclusive Premium	E 200	157	£52,395.83	£62,875.00	£1,410.00	£65,145.00	£63,180.00	37%
	E 220 d	134	£53,854.17	£64,625.00	£560.00	£66,045.00	£64,930.00	32%
	E 300 e	53	£60,104.17	£72,125.00	£135.00	£73,120.00	£72,930.00	17%
	E 300 de	47	£61,770.83	£74,125.00	£115.00	£75,100.00	£74,930.00	10%
	E 450 d 4MATIC	163	£68,020.83	£81,625.00	£1,410.00	£83,895.00	£81,930.00	37%
Exclusive Premium Plus	E 200	158	£58,125.00	£69,750.00	£1,410.00	£72,020.00	£70,055.00	37%
	E 220 d	134	£59,583.33	£71,500.00	£560.00	£72,920.00	£71,805.00	32%
	E 300 e	54	£65,833.33	£79,000.00	£135.00	£79,995.00	£79,805.00	17%
	E 300 de	47	£67,500.00	£81,000.00	£115.00	£81,975.00	£81,805.00	10%
	E 450 d 4MATIC	164	£73,750.00	£88,500.00	£1,410.00	£90,770.00	£88,805.00	37%
Mercedes-AMG	E 53 HYBRID 4MATIC+ Premium	76	£77,833.33	£93,400.00	£280.00	£94,540.00	£94,205.00	21%
	E 53 HYBRID 4MATIC+ Night Edition Premium Plus	78	£82,729.17	£99,275.00	£280.00	£100,415.00	£100,080.00	21%

¹The indicated values were determined according to the prescribed measurement method -Worldwide Harmonised Light Vehicle Test Procedure (WLTP). Figures shown may include options which are not available in the UK. Battery Electric Vehicles (BEV) require mains electricity for charging, range figures determined with the battery fully charged. These models require mains electricity for charging. *Figures shown are for comparability purposes; only compare with other cars tested to the same technical procedures. Figures may not reflect real life driving results, which will depend upon a number of factors including factory-fitted options, accessories fitted (post registration), variations in weather, driving styles and vehicle load. Further information about the test used to establish fuel consumption and CO₂ figures can be found at <http://www.mercedes-benz.co.uk/WLTP> ²A different first year rate of Vehicle Excise Duty (Road Fund Licence) applies for new cars. ³The recommended on-the-road price includes the Road Fund Licence applicable to the standard model plus delivery charge (£780.00 incl. VAT), new vehicle registration fee (£55.00) and number plates (£25.00 incl.VAT). VAT is calculated at the standard rate of 20%. Some of the model features, optional extras and colours shown may not be available, or may only be available in a different specification, or at a different price

Standard Equipment

	Urban Edition	AMG Line Premium	AMG Line Premium Plus	Exclusive Premium	Exclusive Premium Plus	E53 Premium	E53 Night Edition Premium Plus
Battery & Charging							
48 Volt mild hybrid (E200, E220d and E450d only)	✓	✓	✓	✓	✓	-	-
AC charging rated at 11kW (E300e, E300de & E53 only)	✓	✓	✓	✓	✓	✓	✓
DC charging rated at 55kW (E300e and E300de only)	✓	✓	✓	✓	✓	-	-
DC charging rated at 60kW (E53 only)	-	-	-	-	-	✓	✓
Charging cable - Mode 2 cable (5 metres) for domestic socket (E300e, E300de & E53 only)	✓	✓	✓	✓	✓	✓	✓
Charging cable - Mode 3 cable (5 metres, 16A) for wallbox and public charging stations at up to 11kW (E300e, E300de & E53 only)	✓	✓	✓	✓	✓	✓	✓
Remote and Charging Services Plus - available to use free of charge for one year following activation (E300e, E300de & E53 only)	✓	✓	✓	✓	✓	✓	✓
Engine, Transmission & Suspension							
4MATIC four-wheel drive - variable all-wheel drive system designed for all weather traction (E450d only)	-	✓	✓	✓	✓	-	-
4MATIC+ four-wheel drive - variable all-wheel drive system optimised for performance and handling	-	-	-	-	-	✓	✓
9G-TRONIC 9-speed automatic transmission	✓	✓	✓	✓	✓	-	-
AMG SPEEDSHIFT TCT 9G 9-speed automatic transmission	-	-	-	-	-	✓	✓
DYNAMIC SELECT with a choice of driving modes - Eco, Comfort, Sport, Individual (E200, E220d and E450d)	✓	✓	✓	✓	✓	-	-
DYNAMIC SELECT with a choice of driving modes - Electric, Battery Hold, Hybrid, Sport and Individual (E300e and E300de only)	✓	✓	✓	✓	✓	-	-
AMG DYNAMIC SELECT with a choice of driving modes (Electric, Comfort, Battery Hold, Sport, Sport+, Slippery and Individual)	-	-	-	-	-	✓	✓
AGILITY CONTROL suspension with selective damping system (E300e and E300de only)	✓	✓	✓	✓	✓	-	-
AGILITY CONTROL suspension with selective damping system and lowering by 15mm (E200 and E220d only)	✓	✓	✓	✓	✓	-	-
AIRMATIC air suspension (E450d only)	-	✓	✓	✓	✓	-	-
AMG RIDE CONTROL suspension - automatic adjustment of the dampers depending on the AMG DYNAMIC SELECT driving mode selected	-	-	-	-	-	✓	✓
Rear axle steering (not available for Estate)	-	-	-	-	-	✓	✓
ECO start/stop system	✓	✓	✓	✓	✓	✓	✓
BLUETEC Emission Control (E220d and E450d only)	✓	✓	✓	✓	✓	-	-
Residual engine heat utilisation	-	-	-	-	-	-	✓
Sporty engine sound (E200, E220d and E450d only)	✓	✓	✓	✓	✓	-	-
Exterior							
AMG Line exterior including diamond radiator grille with chrome pins, silver-painted louvre and insert in chrome, front and rear apron, side sill panels	✓	✓	✓	-	-	-	-
Exclusive Line exterior including classic bonnet-mounted Mercedes-Benz star	-	-	-	✓	✓	-	-
AMG bodystyling including AMG radiator grille, AMG front apron, AMG side sill panelling, AMG rear diffuser with 2 round twin tailpipe trims and AMG specific badging	-	-	-	-	-	✓	✓
Night package - trim elements in gloss black including beltlines, window surrounds, mirror caps and grille elements	✓	-	-	-	-	-	-



✓ indicates standard equipment, ○ indicates optional at no extra cost, - indicates not available, ● indicates a cost option.

Standard Equipment

	Urban Edition	AMG Line Premium	AMG Line Premium Plus	Exclusive Premium	Exclusive Premium Plus	E53 Premium	E53 Night Edition Premium Plus
AMG Night package - trim elements in gloss black including front splitter trim, side sill inserts, beltline & window surrounds, mirror caps and rear apron trim	✓	✓	✓	✓	✓	✓	✓
AMG boot lip spoiler (<i>Saloon only</i>)	✓	✓	✓	✓	✓	✓	✓
AMG fuel cap	✓	✓	✓	✓	✓	✓	✓
Silver brake callipers with 'AMG' lettering	✓	✓	✓	✓	✓	✓	✓
Brake callipers with 'Mercedes-Benz' lettering and perforated front brake discs	✓	✓	✓	✓	✓	✓	✓
Black roof rails (<i>Estate only</i>)	✓	✓	✓	✓	✓	✓	✓
Aluminium roof rails (<i>Estate only</i>)	✓	✓	✓	✓	✓	✓	✓
EASY-PACK electronic tailgate (<i>Estate only</i>)	✓	✓	✓	✓	✓	✓	✓
LED High-Performance headlamps including integral LED daytime running lamps and Adaptive Highbeam Assist	✓	✓	✓	✓	✓	✓	✓
DIGITAL LIGHT with Adaptive Highbeam Assist Plus	✓	✓	✓	✓	✓	✓	✓
Illuminated radiator grille	✓	✓	✓	✓	✓	✓	✓
Surround lighting with logo projection	✓	✓	✓	✓	✓	✓	✓
Acoustic glass - Heat and noise-insulating glass and targeted insulation measures for first-class quiet running	✓	✓	✓	✓	✓	✓	✓
Privacy glass - heat insulating dark-tinted glass	✓	✓	✓	✓	✓	✓	✓
Panoramic sliding sunroof - consisting of a fixed panoramic glass rear section and an electrically-operated sliding glass front section, the glass roof provides additional light and ventilation into the car	✓	✓	✓	✓	✓	✓	✓
Heated windscreen washer	✓	✓	✓	✓	✓	✓	✓
Mirror package - electrically folding mirrors and automatically-dimming exterior driver's mirror and rear-view mirror	✓	✓	✓	✓	✓	✓	✓
KEYLESS-GO (<i>lock/unlock doors and starting function only</i>) with pull door handles	✓	✓	✓	✓	✓	✓	✓
KEYLESS-GO comfort access with seamless, electronically extending door handles	✓	✓	✓	✓	✓	✓	✓
Pre-installation for digital vehicle key	✓	✓	✓	✓	✓	✓	✓
Two chrome-plated tailpipe trim elements	✓	✓	✓	✓	✓	✓	✓
Two twin tailpipe trim elements in high-gloss chrome	✓	✓	✓	✓	✓	✓	✓
Two twin tailpipe trim elements in dark chrome	✓	✓	✓	✓	✓	✓	✓
50-litre fuel tank (<i>E300e, E300de & E53 only</i>)	✓	✓	✓	✓	✓	✓	✓
66-litre fuel tank (<i>E200, E220d and E450d only</i>)	✓	✓	✓	✓	✓	✓	✓
TIREFIT with tyre inflation compressor	✓	✓	✓	✓	✓	✓	✓
Wheels							
20" AMG multi-spoke alloy wheels, painted black and rim-flange with a high-sheen finish	✓	✓	✓	✓	✓	✓	✓
19" AMG 5-twin-spoke alloy wheels, painted black with a high-sheen finish	✓	✓	✓	✓	✓	✓	✓
20" AMG multi-spoke alloy wheels, painted black with a high-sheen finish	✓	✓	✓	✓	✓	✓	✓



✓ indicates standard equipment, ○ indicates optional at no extra cost, - indicates not available, ● indicates a cost option.

Standard Equipment

	Urban Edition	AMG Line Premium	AMG Line Premium Plus	Exclusive Premium	Exclusive Premium Plus	E53 Premium	E53 Night Edition Premium Plus
19" multi-spoke alloy wheels, painted tremolite grey with a high-sheen finish	-	-	-	✓	-	-	-
20" AMG 10-twin-spoke design, painted himalayas grey with a high-sheen finish	-	-	-	-	-	✓	-
20" AMG 5-twin-spoke design, painted matt black with a high-sheen finish	-	-	-	-	-	-	✓
Interior							
AMG Line interior - flat-bottom sports steering wheel, brushed stainless steel sports pedals with rubber studs and AMG floor mats	✓	✓	✓	-	-	-	-
Exclusive Line interior - round steering wheel, rubber pedals and velour floor mats	-	-	-	✓	✓	-	-
AMG interior - AMG performance steering wheel with AMG steering wheel buttons and AMG specific display content	-	-	-	-	-	✓	✓
Acoustic Comfort package - heat and noise insulating glass and targeted insulation measures for first-class quiet running	-	-	✓	✓	✓	✓	✓
ENERGIZING package - 8 comfort programmes to keep you refreshed on your journey featuring colour-coordinated animations, sounds and wafts of air from the climate control, depending on the program	-	-	-	-	-	-	✓
AIR BALANCE package - Individual fragrancing and ionisation of the vehicle interior. The system comes with a fragrance matching the character of your vehicle	-	-	-	-	-	-	✓
AMG Real Performance Sound - Enjoy a more emotionally appealing engine sound in the interior. Choose between sporty and discreet in BALANCED mode or thrilling and emotionally appealing in the POWERFUL setting	-	-	-	-	-	✓	✓
Ambient Lighting - with 64 colours, 10 colour themes and directly illuminated light lines	✓	✓	-	-	-	-	-
Active Ambient Lighting - communication of various vehicle functions and assistance systems via the ambient lighting and includes visualisation of music	-	-	✓	✓	✓	✓	✓
Illuminated front door sills with Mercedes-Benz lettering and interchangeable cover	-	✓	✓	✓	✓	-	-
Illuminated front door sills with AMG lettering and interchangeable cover	-	-	-	-	-	✓	✓
Interior lighting package - including illumination of the glovebox and stowage compartment, reading lights in the overhead control panel and rear grab handles	✓	✓	✓	✓	✓	✓	✓
Automatically dimming interior mirror and driver's exterior mirror	✓	✓	✓	✓	✓	✓	✓
Double cupholder in centre console	✓	✓	✓	✓	✓	✓	✓
Front centre armrest with stowage compartment	✓	✓	✓	✓	✓	✓	✓
Instrument panel and door beltlines in ARTICO nappa-look leather	✓	✓	✓	✓	✓	✓	✓
AMG logo on centre console	-	-	-	-	-	✓	✓
Black seat belts	✓	✓	✓	✓	✓	✓	✓
Folding rear seat backrests	✓	✓	✓	✓	✓	✓	✓
Sports seats - optimised lateral support for sporty driving	✓	-	-	-	-	✓	✓
Comfort seats - optimised for comfort	-	✓	✓	✓	✓	-	-
Seat comfort package - combines a wide range of electrical and manual adjustment options for the front seat	✓	-	-	-	-	-	-
Memory seat package - memory function for seats, steering column, mirrors and head up display (where fitted) with 3 memory positions	-	✓	✓	✓	✓	✓	✓
Multicontour massaging front seats - inflatable cushions adapt to the natural curvature of your spine. The pulsating air cushions are used to create 6 relaxing or activating massage programmes	-	-	✓	-	✓	-	✓
Heated front seats	✓	-	-	-	-	-	-



✓ indicates standard equipment, ○ indicates optional at no extra cost, - indicates not available, ● indicates a cost option.

Standard Equipment

	Urban Edition	AMG Line Premium	AMG Line Premium Plus	Exclusive Premium	Exclusive Premium Plus	E53 Premium	E53 Night Edition Premium Plus
Climatised front seats - 3-stage seat ventilation and heating for a pleasant seat climate	✓	✓	✓	✓	✓	✓	✓
Warmth comfort package - heated armrests for the driver and front passenger. Seat heating plus provides faster seat cushion and backrest heat with separate control	-	-	✓	-	✓	-	✓
Winter package - heated steering wheel and heated windscreen washer system	-	✓	✓	✓	✓	✓	✓
THERMATIC 2-zone climate control - driver and front passenger can set the temperature separately for each side	✓	✓	✓	✓	✓	✓	-
THERMOTRONIC 4-zone climate control - driver, front passenger and rear passengers can decide the temperature and air distribution in 4 zones independently	-	-	-	-	-	-	✓
Load compartment cover - removable roller blind to protect your luggage (<i>Estate only</i>)	✓	✓	✓	✓	✓	✓	✓
Partition net - protects against unsecured objects from the luggage compartment entering the cabin (<i>Estate only</i>)	✓	✓	✓	✓	✓	✓	✓
Steering							
Direct-steer speed sensitive steering	✓	✓	✓	✓	✓	-	-
Sport Direct-steer speed sensitive steering	-	-	-	-	-	✓	✓
Manually-adjustable steering column - height and reach	✓	-	-	-	-	-	-
Electrically-adjustable steering column - height and reach	-	✓	✓	✓	✓	✓	✓
3-spoke multifunction sports steering wheel with flat-bottom section in nappa leather with touch-control buttons for audio & onboard settings and gearshift paddles in galvanised silver	✓	✓	✓	-	-	-	-
3-spoke multifunction steering wheel in nappa leather with touch-control buttons for audio & onboard settings and gearshift paddles	-	-	-	✓	✓	-	-
AMG Performance steering wheel in nappa leather	-	-	-	-	-	✓	-
AMG Performance steering wheel in nappa leather/MICROCUT microfibre	-	-	-	-	-	-	✓
AMG steering wheel buttons	-	-	-	-	-	✓	✓
Heated steering wheel	-	✓	✓	✓	✓	✓	✓
Paint, Trim and Upholstery							
Dashboard and door beltlines in ARTICO nappa look man-made leather	✓	✓	✓	✓	✓	✓	✓
Metallic Paint	✓	✓	✓	✓	✓	✓	✓
Roof liner in black fabric	✓	✓	✓	✓	✓	✓	✓
Centre console trim in black open-pore ash wood	✓	✓	✓	-	-	-	-
Centre console trim in brown open-pore maple wood with aluminium lines	-	-	-	✓	✓	-	-
Centre console trim in grey open-pore ash wood	-	-	-	-	-	✓	-
Centre console trim in carbon fibre	-	-	-	-	-	-	✓
Dashboard trim in black open-pore ash wood	✓	-	-	-	-	-	-
Dashboard trim in black open-pore ash wood with laser-cut backlit Mercedes-Benz star pattern	-	✓	-	-	-	-	-
Dashboard trim in brown open-pore maple wood trim with aluminium lines	-	-	-	✓	-	-	-
Dashboard trim in grey open-pore ash wood trim with backlit AMG logo	-	-	-	-	-	✓	-
Dashboard trim in carbon fibre	-	-	-	-	-	-	✓



✓ indicates standard equipment, ○ indicates optional at no extra cost, - indicates not available, ● indicates a cost option.

Standard Equipment

	Urban Edition	AMG Line Premium	AMG Line Premium Plus	Exclusive Premium	Exclusive Premium Plus	E53 Premium	E53 Night Edition Premium Plus
Black ARTICO man-made leather/MICROCUT microfibre upholstery	✓	✓	✓	✓	✓	✓	✓
Leather upholstery	-	✓	✓	✓	✓	✓	✓
Nappa leather upholstery	-	-	-	-	✓	✓	✓
Safety and Assistance Systems							
GUARD 360° vehicle protection - Anti-theft alarm system with immobiliser, interior protection, tow-away protection and theft notification with collision detection	✓	-	-	-	-	-	-
GUARD 360° vehicle protection plus - With Emergency key deactivation, Stolen Vehicle Help and collision detection with camera images	-	✓	✓	✓	✓	✓	✓
Anti-theft alarm system with immobiliser and interior protection and preinstallation for collision detection	✓	✓	✓	✓	✓	✓	✓
Dashcam	-	✓	✓	✓	✓	✓	✓
Acoustic presence indicator (E300e, E300de & E53 only)	✓	✓	✓	✓	✓	✓	✓
Active bonnet - pedestrian safety measure which detects a collision and raises the bonnet to soften the impact	✓	✓	✓	✓	✓	✓	✓
Driver and front passenger airbags with extended adaptivity for front passenger airbag	✓	✓	✓	✓	✓	✓	✓
Automatic front passenger airbag deactivation	✓	✓	✓	✓	✓	✓	✓
Central airbag	✓	✓	✓	✓	✓	✓	✓
Kneebag for driver	✓	✓	✓	✓	✓	✓	✓
ISOFIX child seat attachment points with top tether in rear (two outer seats)	✓	✓	✓	✓	✓	✓	✓
Automatic child seat recognition sensor	✓	✓	✓	✓	✓	✓	✓
Status display in instrument cluster for rear seat belts	✓	✓	✓	✓	✓	✓	✓
Mercedes-Benz emergency call system	✓	✓	✓	✓	✓	✓	✓
Active Distance Assist DISTRONIC ¹ - Automatically maintains your selected speed and distance to vehicles ahead	✓	✓	✓	✓	✓	✓	✓
Active Lane Keeping Assist ¹ - Warning and active steering intervention in the event of unintentional lane departure	✓	✓	✓	✓	✓	✓	✓
Active Brake Assist ¹ - Can assist with full braking force to avoid or mitigate the impact of colliding with the vehicle in front	✓	✓	✓	✓	✓	✓	✓
ATTENTION ASSIST ¹ - Monitors driver behaviour for tiredness and recommends when it is time for a break	✓	✓	✓	✓	✓	✓	✓
Traffic Sign Assist ¹ - traffic sign recognition including wrong-way warning function and display of posted speed limits in the instrument cluster	✓	✓	✓	✓	✓	✓	✓
Blind Spot Assist ¹ - Warns visually and audibly of threatening side collisions with other road users	✓	✓	✓	✓	✓	✓	✓
Adaptive brake system with HOLD function and brake drying in the wet	✓	✓	✓	✓	✓	✓	✓
Electronic Stability Programme (ESP®) with Curve Dynamic Assist and Crosswind Assist - for greater driving safety and stability, in particular when accelerating on bends; counters understeer by one-sided braking action. Detects sudden, strong gusts of wind and helps the driver stay in lane by means of targeted braking	✓	✓	✓	✓	✓	✓	✓
SPEEDTRONIC cruise control with variable speed limiter	✓	✓	✓	✓	✓	✓	✓
Parking package - Reversing camera and Active Park Assist ¹ with PARKTRONIC	✓	-	-	-	-	-	-
Parking package - 360° camera and Active Park Assist ¹ with PARKTRONIC	-	✓	✓	✓	✓	✓	✓



Standard Equipment

	Urban Edition	AMG Line Premium	AMG Line Premium Plus	Exclusive Premium	Exclusive Premium Plus	E53 Premium	E53 Night Edition Premium Plus
Tyre pressure monitoring system	✓	✓	✓	✓	✓	✓	✓
Diesel Particulate Filter (DPF) (E220d, E300de and E450d only)	✓	✓	✓	✓	✓	-	-
Petrol Particulate Filter (PPF) (E200, E300e & E53 only)	✓	✓	✓	✓	✓	✓	✓
Electric parking brake	✓	✓	✓	✓	✓	✓	✓
Driver's fluorescent jacket	✓	✓	✓	✓	✓	✓	✓
Remote boot release	✓	✓	✓	✓	✓	✓	✓
Communication and In-Car Entertainment							
High-resolution 12.3" cockpit display	✓	✓	✓	✓	✓	✓	✓
High-resolution 14.4" central media display	✓	✓	✓	✓	✓	✓	✓
Superscreen package - passenger display with 12.3" screen and visual shield function, selfie and video camera	-	○	✓	○	✓	○	○
Head-up display	-	-	✓	-	✓	-	✓
Burmester® 4D surround sound system - 17 speakers and 4 exciters, 730-watt system output and Dolby Atmos®	-	✓	✓	✓	✓	✓	✓
Fingerprint scanner - Secure biometric identification of your driver profile	✓	✓	✓	✓	✓	✓	✓
DAB digital radio tuner	✓	✓	✓	✓	✓	✓	✓
Hard-disc navigation - Includes 2D and 3D map display and route options such as Eco and Trailer	✓	✓	✓	✓	✓	✓	✓
MBUX Navigation Premium - Fast, networked navigation, including online route guidance, real-time traffic information and Car-to-X communication	✓	✓	✓	✓	✓	✓	✓
MBUX augmented reality for navigation - Graphical navigation and traffic information merge with live images on the central display	-	✓	✓	✓	✓	✓	✓
Pre-installation for Live Traffic	✓	✓	✓	✓	✓	✓	✓
USB Package Plus - A total of 6 fast-charging USB-C ports for your mobile devices - 2 in the front oddments tray, 2 under the centre armrest and 2 in the rear centre console	✓	✓	✓	✓	✓	✓	✓
Wireless charging ¹ - In the front oddments tray	✓	✓	✓	✓	✓	✓	✓
Smartphone integration ¹ via Android Auto™ or Apple CarPlay®	✓	✓	✓	✓	✓	✓	✓
Bluetooth interface ¹	✓	✓	✓	✓	✓	✓	✓
5G communications module	✓	✓	✓	✓	✓	✓	✓
Digital Extras (standard services) ² - including emergency call system (eCall), accident recovery, breakdown and maintenance management	✓	✓	✓	✓	✓	✓	✓
Digital Extras (vehicle set-up and monitoring) ² - onboard use of remote and location services e.g. geographic vehicle monitoring, vehicle location, remote door locking and unlocking, remote interrogation of vehicle status - available to use free of charge for three years following activation	✓	✓	✓	✓	✓	✓	✓
MBUX voice control activated by keywords "Hey Mercedes"	✓	✓	✓	✓	✓	✓	✓
MBUX extended functions ² - available to use free of charge for three years following activation	✓	✓	✓	✓	✓	✓	✓
Remote Services Premium ² - You can locate your vehicle and control certain functions remotely	✓	✓	✓	✓	✓	✓	✓
Pre-installation for MBUX Entertainment Plus ² - Fully integrated app store including music and video streaming services, games and productivity apps	✓	✓	✓	✓	✓	✓	✓



¹Compatible mobile phone required. Please check www.mercedes-benz.com for details or contact your local Mercedes-Benz Agent for further information. ²To use this service, you must register on the Digital Extras portal and also accept the Terms of Use for the Digital Extras services. In addition, the respective vehicle must be paired with the user account. Upon expiry of the initial term, the services can be extended for a fee. Initial activation of the services is possible within 1 year of first registration or commissioning by the customer, whichever comes first.

✓ indicates standard equipment, ○ indicates optional at no extra cost, - indicates not available, ● indicates a cost option.

Optional Equipment

			Urban Edition	AMG Line Premium	AMG Line Premium Plus	Exclusive Premium	Exclusive Premium Plus	E63 Premium	E53 Night Edition Premium Plus
Trailer Coupling with ESP Stabilisation	550	£695	•	•	•	•	•	•	•
Tow Bar			^	^	^	^	^	^	^
ESP Trailer Stabilisation			^	^	^	^	^	^	^
Refinement Package - Saloon (standard for E450d)	DRP	£3,500	-	•	•	•	•	-	-
AIRMATIC Air Suspension			-	^	^	^	^	-	-
Rear Axle Steering (up to 4.5°)			-	^	^	^	^	-	-
Refinement Package - Estate (standard for E450d)	DRP	£2,500	-	•	•	•	•	-	-
AIRMATIC Air Suspension			-	^	^	^	^	-	-
Superscreen Package	PAG	£2,500	-	•	✓	•	✓	•	•
12.3" front passenger display			-	^	^	^	^	^	^
Visual shield function - Passenger display is blanked from the driver's view when the car is in motion			-	^	^	^	^	^	^
Selfie and video camera			-	^	^	^	^	^	^
Driving Assistance Package Plus	P20	£1,695	-	•	•	•	•	•	•
Active Brake Assist - detects collision risks, provides visual and acoustic warnings and initiates automatic braking if the driver fails to intervene			-	^	^	^	^	^	^
Active Distance Assist DISTRONIC - automatically regulates speed and maintains a selected distance from the vehicle in front			-	^	^	^	^	^	^
Active Emergency Stop Assist - detects if the driver is unresponsive by monitoring steering movement. Provides warnings before bringing the vehicle to a stop, activating the hazard lights and initiating an emergency call			-	^	^	^	^	^	^
Active Evasive Steering Assist - helps avoid collisions by providing steering torque to enhancing swerving manoeuvres			-	^	^	^	^	^	^
Active Lane Keeping Assist - prevents unintentional lane departure. Warns via steering wheel vibrations and can autonomously steer the vehicle back into the lane			-	^	^	^	^	^	^
Active Speed Limit Assist - automatically adjusts the set speed to detected changes in speed limit			-	^	^	^	^	^	^
Active Stop-and-Go Assist - takes strain away from the driver in traffic jams on motorways, managing braking and also acceleration within 60s of a complete stop			-	^	^	^	^	^	^
Active Steering Assist - keeps the vehicle centered in its lane and provides automatic steering inputs to prevent unintentional drifting			-	^	^	^	^	^	^
Active Traffic Sign Assist - identifies speed limits, no-overtaking zones and other road signs, displaying them on the dashboard. Alerts of exceeded speed limits and wrong-way entry			-	^	^	^	^	^	^
Congestion emergency brake function - detects potential rear-end collisions, automatically applying the brakes if the driver fails to respond			-	^	^	^	^	^	^
Exit warning function - alerts occupants to approaching traffic, cyclists or pedestrians when opening the doors			-	^	^	^	^	^	^
Hazard display via ambient lighting - cockpit lights alert of hazards by flashing red, such as blind-spot warnings			-	^	^	^	^	^	^
PRE-SAFE PLUS incl. PRE-SAFE Impulse Side - detects imminent rear and side collisions and protects occupants by tightening seatbelts and inflating side bolsters. A sound is played to protect occupant's ears from the sound of the impact			-	^	^	^	^	^	^
Route-based speed adjustment - adjusts vehicle speed based on map data, such as for upcoming bends, roundabouts, junctions and exits, resuming the set speed afterward			-	^	^	^	^	^	^



✓ indicates standard equipment, ○ indicates optional at no extra cost, - indicates not available, • indicates a cost option, ^ indicates part of a package

Optional Equipment

E53 Night Edition Premium Plus
 E53 Premium
 Exclusive Premium Plus
 Exclusive Premium
 AMG Line Premium Plus
 AMG Line Premium
 Urban Edition

	DPP	£7,500	-	-	-	-	-	-	-	•	-	
Pro Performance Package - Premium												
AMG Driver's Package - Increase in top speed to 174mph			-	-	-	-	-	-	-	-	^	-
AMG DYNAMICS PLUS Package - AMG rear axle locking differential, dynamic engine mounts, AMG high-performance composite braking system and RACE START function			-	-	-	-	-	-	-	-	^	-
AMG Track Pace			-	-	-	-	-	-	-	-	^	-
21" AMG forged alloy wheels, cross-spoke design, painted himalayas grey with a high-sheen finish			-	-	-	-	-	-	-	-	^	-
Red-painted brake callipers with black 'AMG' lettering			-	-	-	-	-	-	-	-	^	-
AMG carbon fibre centre console			-	-	-	-	-	-	-	-	^	-
AMG carbon fibre dashboard trim			-	-	-	-	-	-	-	-	^	-
AMG Performance steering wheel in carbon fibre/MICROCUT			-	-	-	-	-	-	-	-	^	-
AMG High-end Performance Seat package			-	-	-	-	-	-	-	-	^	-
Pro Performance Package - Night Edition Premium Plus												
	DPP	£7,500	-	-	-	-	-	-	-	-	-	•
AMG Driver's Package - Increase in top speed to 174mph			-	-	-	-	-	-	-	-	-	^
AMG DYNAMICS PLUS Package - AMG rear axle locking differential, dynamic engine mounts, AMG high-performance composite braking system and RACE START function			-	-	-	-	-	-	-	-	-	^
AMG Track Pace			-	-	-	-	-	-	-	-	-	^
21" AMG forged alloy wheels, cross-spoke design, painted matte black with a high-sheen finish			-	-	-	-	-	-	-	-	-	^
Red-painted brake callipers with black 'AMG' lettering			-	-	-	-	-	-	-	-	-	^
Night Package II - Darkened radiator grille and badging in dark chrome			-	-	-	-	-	-	-	-	-	^
AMG carbon fibre centre console			-	-	-	-	-	-	-	-	-	^
AMG carbon fibre dashboard trim			-	-	-	-	-	-	-	-	-	^
AMG Performance steering wheel in carbon fibre/MICROCUT			-	-	-	-	-	-	-	-	-	^
AMG High-end Performance Seat package			-	-	-	-	-	-	-	-	-	^
Carbon Fibre Styling Package												
Saloon - Carbon-fibre boot spoiler and mirror caps	B28	£1,500	-	-	-	-	-	-	-	-	-	•
Estate - Carbon-fibre mirror caps	B28	£1,000	-	-	-	-	-	-	-	-	-	•
Metallic Paint												
Obsidian Black	197U	Standard	✓	✓	✓	✓	✓	✓	✓	✓	✓	✓
Nautic Blue	595U	No-Cost Option	○	○	○	○	○	○	○	○	○	○
Graphite Grey	831U	No-Cost Option	○	○	○	○	○	○	○	○	○	○
Verde Silver	188U	No-Cost Option	○	○	○	○	○	○	○	○	○	○
Velvet Brown	771U	No-Cost Option	○	○	○	○	○	○	○	○	○	○
High-tech Silver	922U	No-Cost Option	○	○	○	○	○	○	○	○	○	○

✓ indicates standard equipment, ○ indicates optional at no extra cost, - indicates not available, • indicates a cost option, ^ indicates part of a package

Technical Data

Engine	Fuel Type	Transmission	CO2 & Consumption Values			
			Model Variant	CO2 Combined (g/km)	Energy Consumption - combined (Wh/km) ¹	EAER Electric Range (miles)
E 200 Saloon	Petrol MHEV	Automatic	Urban Edition	148	-	-
			AMG Line Premium	150	-	-
			AMG Line Premium Plus	151	-	-
			Exclusive Premium	151	-	-
			Exclusive Premium Plus	153	-	-
E220d Saloon	Diesel MHEV	Automatic	Urban Edition	126	-	-
			AMG Line Premium	127	-	-
			AMG Line Premium Plus	129	-	-
			Exclusive Premium	129	-	-
			Exclusive Premium Plus	129	-	-
E300e Saloon	Petrol PHEV	Automatic	Urban Edition	48	192	71
			AMG Line Premium	49	194	70
			AMG Line Premium Plus	50	196	69
			Exclusive Premium	50	196	69
			Exclusive Premium Plus	50	197	69
E300de Saloon	Diesel PHEV	Automatic	Urban Edition	40	193	71
			AMG Line Premium	41	193	70
			AMG Line Premium Plus	43	196	69
			Exclusive Premium	43	196	70
			Exclusive Premium Plus	43	196	69
E450d 4MATIC Saloon	Diesel MHEV	Automatic	AMG Line Premium	156	-	-
			AMG Line Premium Plus	158	-	-
			Exclusive Premium	158	-	-
			Exclusive Premium Plus	158	-	-
Mercedes-AMG E53 HYBRID Saloon	Petrol PHEV	Automatic	Premium	72	250	60
			Night Edition Premium P	72	250	60
E 200 Estate	Petrol MHEV	Automatic	Urban Edition	155	-	-
			AMG Line Premium	156	-	-
			AMG Line Premium Plus	157	-	-
			Exclusive Premium	157	-	-
			Exclusive Premium Plus	158	-	-
E220d Estate	Diesel MHEV	Automatic	Urban Edition	132	-	-
			AMG Line Premium	133	-	-
			AMG Line Premium Plus	134	-	-
			Exclusive Premium	134	-	-
			Exclusive Premium Plus	134	-	-
E300e Estate	Petrol PHEV	Automatic	Urban Edition	52	199	68
			AMG Line Premium	53	201	67
			AMG Line Premium Plus	54	204	66
			Exclusive Premium	53	203	66
			Exclusive Premium Plus	54	204	66
E300de Estate	Diesel PHEV	Automatic	Urban Edition	45	201	67
			AMG Line Premium	46	203	66
			AMG Line Premium Plus	47	206	65
			Exclusive Premium	47	205	66
			Exclusive Premium Plus	47	206	65
E450d 4MATIC Estate	Diesel MHEV	Automatic	AMG Line Premium	162	-	-
			AMG Line Premium Plus	163	-	-
			Exclusive Premium	163	-	-
			Exclusive Premium Plus	164	-	-
Mercedes-AMG E53 HYBRID Estate	Petrol PHEV	Automatic	Premium	76	260	57
			Night Edition Premium P	78	265	57

Wheels & Tyres				
Model	Wheel Code	Description	Front	Rear
Urban Edition	RVR	20" AMG multi-spoke alloy wheels painted in black and rim-flange in high-	245/40/R20	275/35/R20
AMG Line Premium	RTE	19" AMG 5-twin-spoke alloy wheels painted in black with high-sheen finish	245/45/R19	275/40/R19
AMG Line Premium Plus	RVQ	20" AMG multi-spoke alloy wheels painted in black with high-sheen finish	245/40/R20	275/35/R20
Exclusive Premium	11R	19" multi-spoke alloy wheels painted in tremolite grey with high-sheen finish	245/45/R19	275/40/R19
Exclusive Premium Plus	RVQ	20" AMG multi-spoke alloy wheels painted in black with high-sheen finish	245/40/R20	275/35/R20
53 Premium	RVM	20" AMG 10-twin-spoke alloy wheels painted in himalayas grey, polished with a high-sheen finish	265/40/R20	295/35/R20
53 Night Edition Premium Plus	RTP	20" AMG 5-twin-spoke alloy wheels painted in matt black with a high-sheen	265/40/R20	295/35/R20

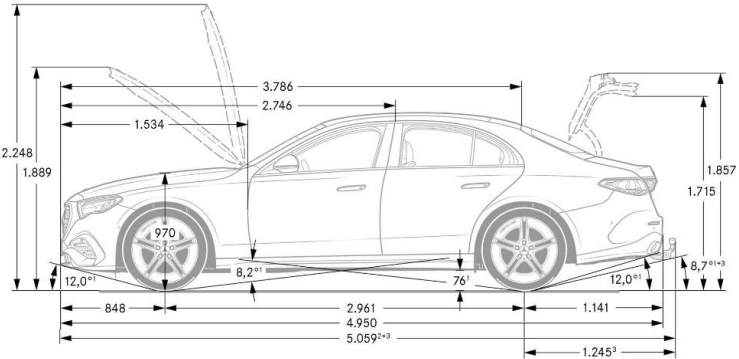
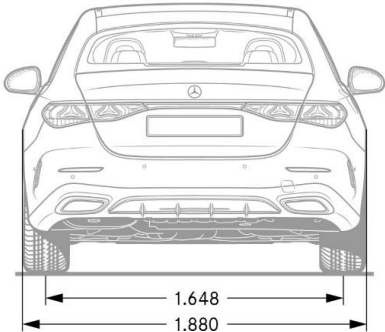
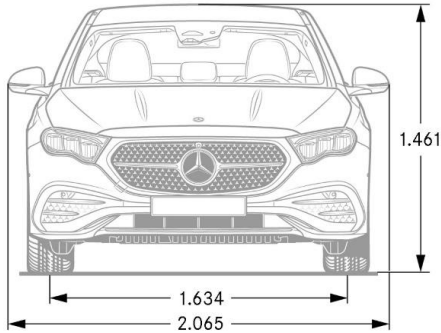
¹Figures according to Directive 80/1269/EEC in the currently applicable version ²The indicated values were determined according to the prescribed measurement method - Worldwide Harmonised Light Vehicle Test Procedure (WLTP). Figures shown may include options which are not available in the UK. For Plug-in Hybrid Electric Vehicle (PHEV) figures determined with the battery fully charged, using a combination of both battery power and fuel. These models require mains electricity for charging ³The certified electrical consumption is generally determined at maximum AC charging capacity using a Mode 3 cable. It is therefore recommended that vehicles with a HV battery preferably be charged at a wallbox or an AC charging station with a Mode 3 cable in order to achieve shorter charging times and improved charging efficiency ⁴Specified voltage and current values refer to network infrastructure and can be limited by the vehicle. Times are from 10-80% charge using a wallbox (three-phase) or standard socket (single-phase) ⁵Specified voltage and current values refer to network infrastructure and can be limited by the vehicle. Times are from 10-100% charge using a wallbox (three-phase) or standard socket (single-phase)

⁶Mass of the vehicle in running order with at least 90% full fuel tank, plus the mass of the driver (estimated by law at 75 kg), fuel and fluids, equipped with the standard equipment as specified by the manufacturer as well as, where applicable, the mass of the body, cab, trailer coupling and spare wheel(s) as well as tools. Optional extras, additional equipment and accessories can influence the weight, residual payload, rolling resistance, aerodynamics, etc., and therefore also affect the consumption/CO₂ values ⁷All figures are based on a standard specification with the smallest tyre size ⁸The choice of wheels and transmission may affect CO₂ emissions and corresponding Road Fund Licence ⁹The indicated values were determined according to the prescribed measurement method - Worldwide Harmonised Light Vehicle Test Procedure (WLTP). Figures shown may include options

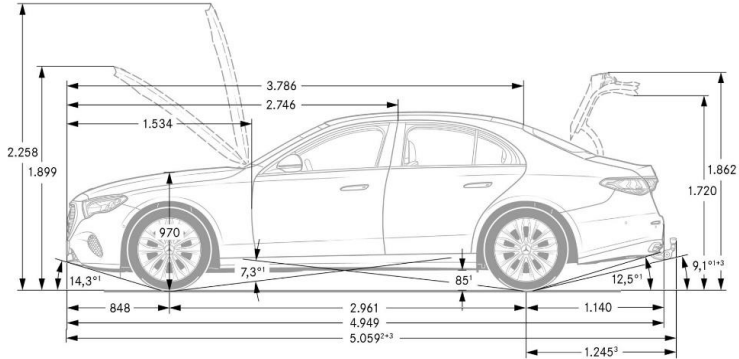
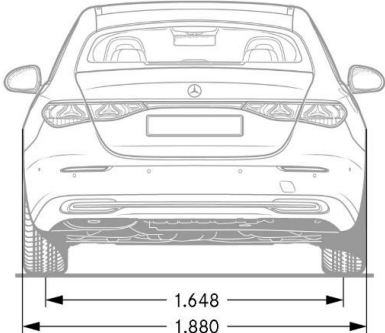
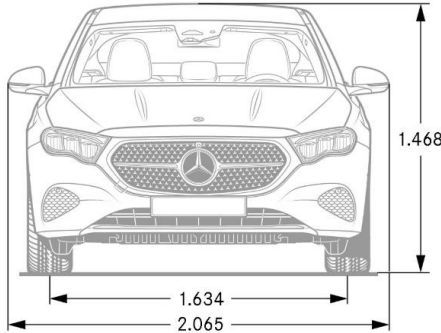
Model:	E-Class Saloon						E-Class Estate					
	E 200 automatic	E 300 e Saloon automatic	Mercedes-AMG E 53 HYBRID 4MATIC+ Saloon automatic	E 220 d automatic	E 450 d 4MATIC automatic	E 300 de Saloon automatic	E 200 automatic	E 300 e Estate automatic	Mercedes-AMG E 53 HYBRID 4MATIC+ Estate automatic	E 220 d automatic	E 450 d 4MATIC automatic	E 300 de Estate automatic
GENERAL												
Insurance Group 1	TBA	TBA	TBA	TBA	TBA	TBA	TBA	TBA	TBA	TBA	TBA	TBA
Insurance Group 2 (i.e Security rating)	T1	T1	T1	T1	T1	T1	T1	T1	T1	T1	T1	T1
NCAP Overall Rating	5 Star	5 Star	5 Star	5 Star	5 Star	5 Star	5 Star	5 Star	5 Star	5 Star	5 Star	5 Star
NCAP Adult Occupant Protection %	92%	92%	92%	92%	92%	92%	92%	92%	92%	92%	92%	92%
NCAP Child Occupant Protection %	90%	90%	90%	90%	90%	90%	90%	90%	90%	90%	90%	90%
NCAP Pedestrian Protection %	84%	84%	84%	84%	84%	84%	84%	84%	84%	84%	84%	84%
NCAP Safety Assist %	87%	87%	87%	87%	87%	87%	87%	87%	87%	87%	87%	87%
NCAP Safety Concerns? - Yes or No?	No	No	No	No	No	No	No	No	No	No	No	No
Special Edition - Yes or No	No	No	No	No	No	No	No	No	No	No	No	No
Special Order - Yes or No	No	No	No	No	No	No	No	No	No	No	No	No
TYRES												
Alloys? - Yes or No?	Yes	Yes	Yes	Yes	Yes	Yes	Yes	Yes	Yes	Yes	Yes	Yes
Space Saver? - Yes or No?	No	No	No	No	No	No	No	No	No	No	No	No
Tyre Size Front	see w heel page	see w heel page	see w heel page	see w heel page	see w heel page	see w heel page	see w heels page	see w heels page	see w heels page	see w heels page	see w heels page	see w heels page
Tyre Size Rear	see w heel page	see w heel page	see w heel page	see w heel page	see w heel page	see w heel page	see w heels page	see w heels page	see w heels page	see w heels page	see w heels page	see w heels page
Tyre Size Spare	Tirefit	Tirefit	Tirefit	Tirefit	Tirefit	Tirefit	Tyrefit	Tyrefit	Tyrefit	Tyrefit	Tyrefit	Tyrefit
Wheel Style (e.g 5 Spoke etc.)	see w heel page	see w heel page	see w heel page	see w heel page	see w heel page	see w heel page	see w heels page	see w heels page	see w heels page	see w heels page	see w heels page	see w heels page
Wheel Type - Steel or Alloy?	Alloy	Alloy	Alloy	Alloy	Alloy	Alloy	Alloy	Alloy	Alloy	Alloy	Alloy	Alloy
Tyre Speed Rating	Y (up to 300 km/h)	Y (up to 300 km/h)	Y (over 300 km/h)	Y (over 300 km/h)	Y (up to 300 km/h)	Y (up to 300 km/h)	Y (up to 300 km/h)	Y (up to 300 km/h)	Y (over 300 km/h)	Y (up to 300 km/h)	Y (up to 300 km/h)	Y (up to 300 km/h)
Tyre Load Rating Front			104						104			
Tyre Load Rating Rear			107						107			
VEHICLE DIMENSIONS												
Height	1,468	1,480	1,472	1,468	1,469	1,480	1,469	1,470	1,483	1,469	1,469	1,470
Height (including roof rails)	1,468	1,480	1,472	1,468	1,469	1,480	1,469	1,470	1,483	1,469	1,469	1,470
Length	4,949	4,949	4,965	4,949	4,949	4,949	4,949	4,949	4,965	4,949	4,949	4,949
Wheelbase	2,961	2,961	2,971	2,961	2,961	2,961	2,961	2,961	2,971	2,961	2,961	2,961
Width	1,904	1,904	1,902	1,904	1,904	1,904	1,904	1,904	1,902	1,904	1,904	1,904
Width (including mirrors)	2,065	2,065	2,065	2,065	2,065	2,065	2,065	2,065	2,065	2,065	2,065	2,065
WEIGHT AND CAPACITIES												
Fuel Tank Capacity (Litres)	66/7	50/7	60/10	66/7	66/7	50/7	66/7,0	66/7,0	80/10,0	66/7,0	66/7,0	66/7,0
Adblue Tank Capacity (Litres)	0	0	0	24	24	24	0	0	0	24	24	24
Gross Vehicle Weight	2450	2775	2920	2530	2675	2810	2540	2855	2975	2615	2745	2910
Luggage Capacity (Seats Dow n)							1.830	1.675	1.675	1.830	1.830	1.675
Luggage Capacity (Seats Up)	540	370	370	540	540	370	615	460	460	615	615	460
Max. Loading Weight	635	585	530	630	625	565	640	600	540	645	605	585
Max. Roof Load	100	100	100	100	100	100	100	100	100	100	100	100
Max. Tow ing Weight - Braked	2,100	2,100	2,100	2,100	2,100	2,100	2,100	2,100	2,100	2,100	2,100	2,100
Max. Tow ing Weight - Unbraked	750	750	750	750	750	750	750	750	750	750	750	750
Permissible Max Nose Weight (kg)	84	84	84	84	84	84	84	84	84	84	84	84
Minimum Kerbw eight	1,815	2,190	2,390	1,900	1,975	2,170	1,900	2,255	2,435	1,970	2,140	2,325
No. of Seats	5	5	5	5	5	5	5	5	5	5	5	5
Turning Circle - Kerb to Kerb	11.6	11.6	12.53	11.6	12	11.6	11.6	11.6	12.53	11.6	12	11.6
Hybrid												
Battery Warranty		6 years/62,000 Miles	6 years/62,000 Miles			6 years/62,000 Miles		6 years/62,000 Miles	6 years/62,000 Miles			6 years/62,000 Miles
Battery capacity % guaranteed under warranty		70%	70%			70%		70%	70%			70%
Battery Type		Lithium-ion	Lithium-ion			Lithium-ion		Lithium-ion	Lithium-ion			Lithium-ion
Battery Capacity (kwh)		19.5	21.2			19.5		19.5	21.2			19.5
AC Charging time 1 Phase 10-100%		3.00	3.50			3.00		3.00	3.50			3.00
AC Charging time 3 Phase 10-100% Public Wallbox		2.00	2.25			2.00		2.00	2.25			2.00
Electric energy consumption (w h/km)		156 - 146	180 - 175			156 - 146		161 - 150	184 - 178			161 - 150
Vehicle operating range - pure electric (miles)		60 - 72	58 - 63			60 - 73		58 - 69	55 - 60			58 - 68

Technical Data

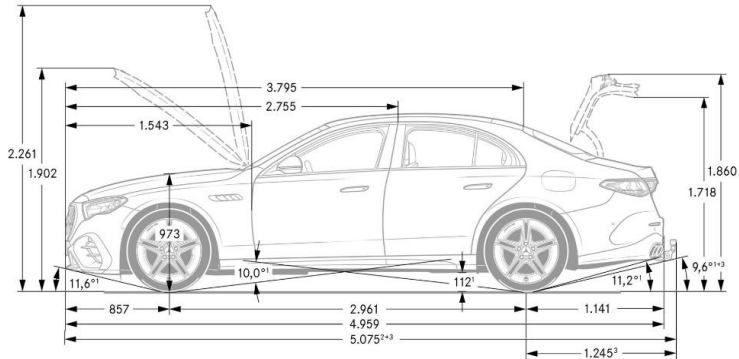
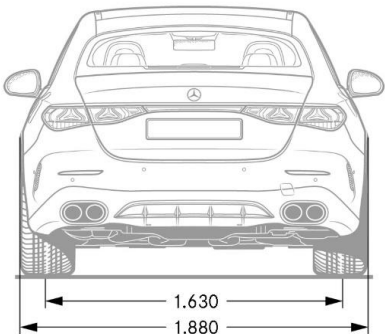
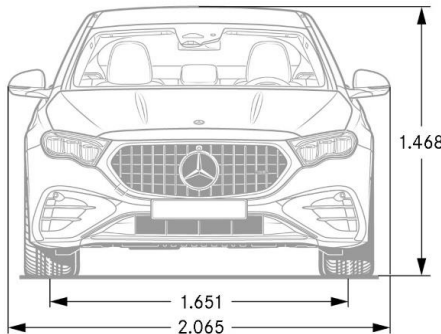
Urban Edition & AMG Line



Exclusive Premium & Exclusive Premium Plus



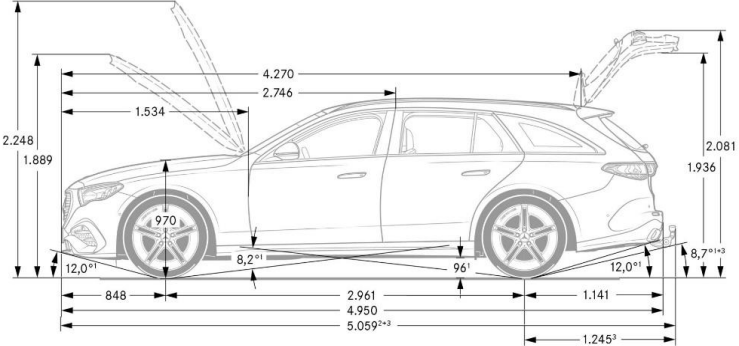
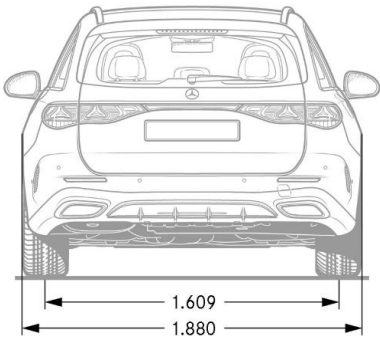
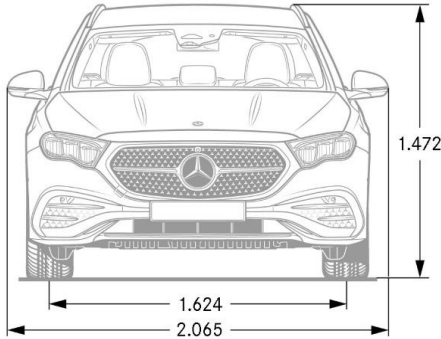
Mercedes-AMG E53



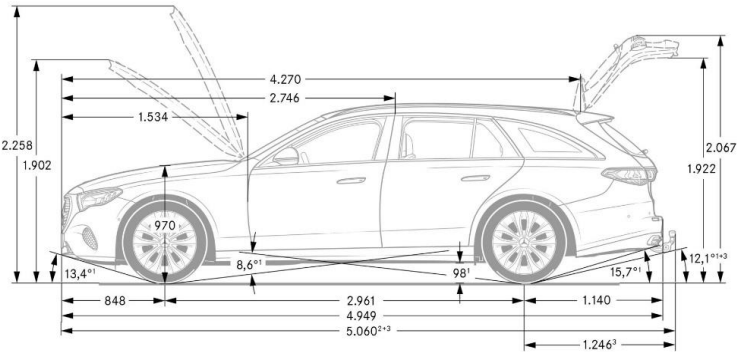
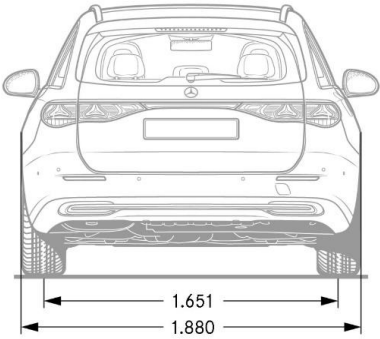
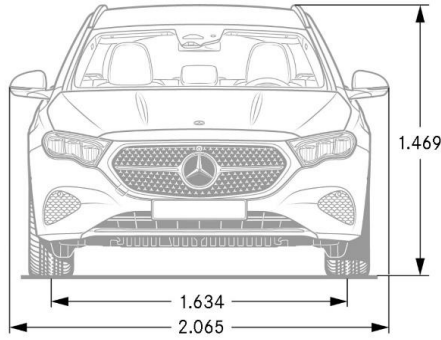
All measurements in millimetres. The dimensions shown are mean values and apply to standard specification, unladen vehicles

Technical Data

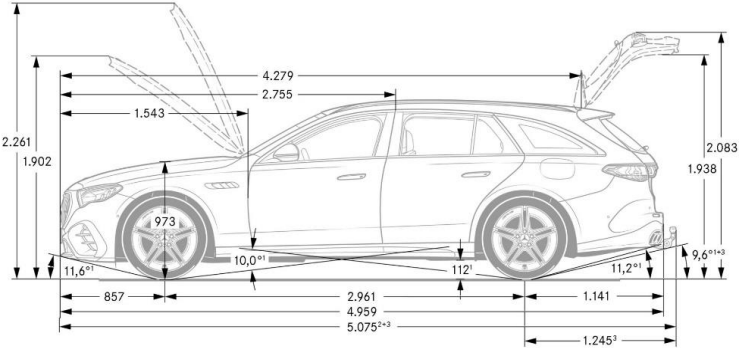
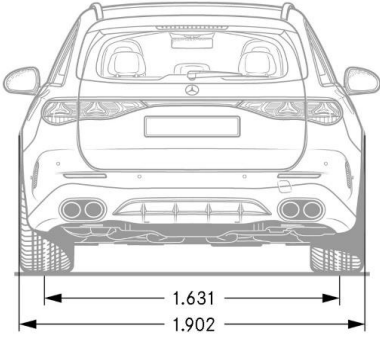
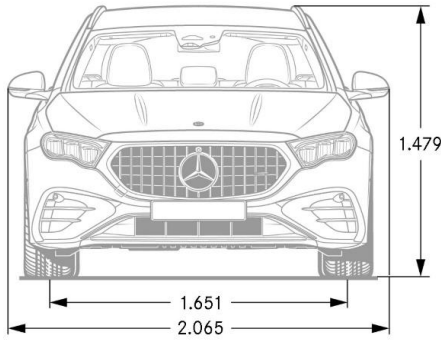
Urban Edition & AMG Line



Exclusive Premium & Exclusive Premium Plus



Mercedes-AMG E53



All measurements in millimetres. The dimensions shown are mean values and apply to standard specification, unladen vehicles



Effective from June 2026 production. Information correct at time of publication 27.04.2026.
Prices and specifications are subject to change without prior notice.

Mercedes-Benz UK Limited, Delaware Drive, Tongwell, Milton Keynes, MK15 8BA. Company number: 02448457