

Mercedes-Benz

THE ALL-NEW CLA

Model Year 807

From April 2026 production



Model Chooser



CLA electric



CLA petrol hybrid



Mercedes-Benz

THE NEW ELECTRIC CLA

Model Year 807
From April 2026 production



Some of the model features, optional extras and colours shown may not be available, or may be available in a different specification, or at a different price. Option shown: Patagonia Red metallic.



Model Overview



Colours



Upholsteries & Trim



Wheels



Optional Equipment



Pricing



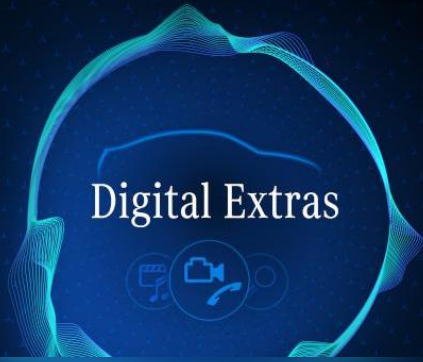
Standard Equipment



Technical Data



Further Information



Digital Extras



Services & Insurance



Roadside Assistance



Home Charging - Ohme



Home Charging - Pod



MB.CHARGE Public



Online Showroom



Configurator



Genuine Accessories

Model Overview



Sport



Sport Executive



AMG Line Executive



AMG Line Premium



AMG Line Premium Plus





Sport

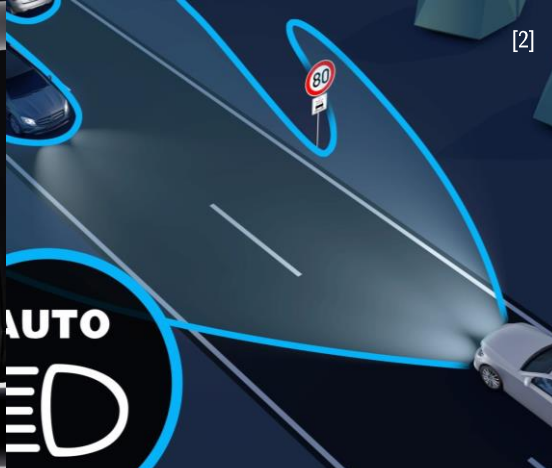
Some of the model features, optional extras and colours shown may not be available, or may be available in a different specification, or at a different price. Option shown: Night Black Solid.



Some of the model features, optional extras and colours shown may not be available, or may be available in a different specification, or at a different price. Option shown: ARTICO man-made leather / Sortland fabric black.



[1]



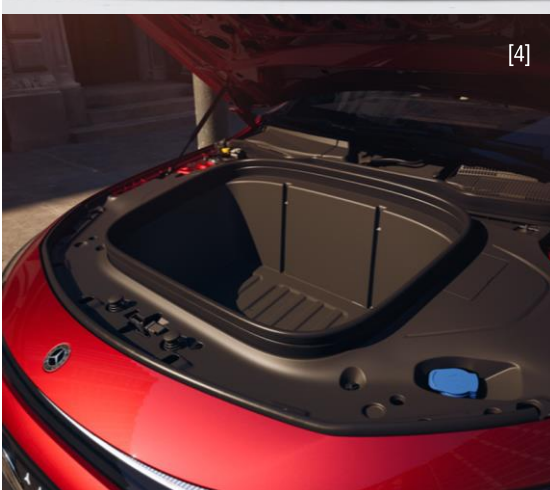
[2]



[3]

Exterior Highlights

- 18" 5-spoke light-alloy wheels, painted in high-gloss black with a high-shine finish [1]
- Mercedes-Benz iconic grille, animated and with illuminated Mercedes star
- LED High performance headlamps with Adaptive Highbeam Assist [2]
- Mirror Package
- Fixed glass panoramic roof [3]
- Sport bodystyling
- 101 litre frunk [4]



[4]



[5]



[6]

Interior Highlights

- THERMATIC automatic climate control
- Anthracite anodised-look trim elements [5]
- Heated comfort seats [6]
- 4-way lumbar support [7]
- Leather multifunction sports steering wheel
- ARTICO man-made leather / Sortland fabric black
- USB Package plus



[7]



[8]



[9]

Technology Highlights

- 10.25-inch driver display with 2 individually configurable contexts [8]
- 14-inch central display with touch input and zero-layer user interface
- Blind Spot assist
- Selfie and Video Camera with facial recognition [9]
- Digital Extra: Distance assist DISTRONIC
- MBUX Navigation (free for the first seven years)
- MBUX Smartphone integration

Some of the model features, optional extras and colours shown may not be available, or may be available in a different specification, or at a different price.



Sport Executive



Some of the model features, optional extras and colours shown may not be available, or may be available in a different specification, or at a different price. Option shown: ARTICO man-made leather in black.



[1]



[2]



[3]

Exterior Highlights

- Heat-insulating dark-tinted glass [1]
- 18" 5-spoke light-alloy wheels, painted in high-gloss black with a high-shine finish [2]
- Flush-fitting door handles [3]
- KEYLESS-GO [4]



[4]



[5]



[6]

Interior Highlights

- Rear armrest [5]
- Light brushed aluminium trim elements [6]
- Ambient lighting with 64 colours and 10 colour schemes [7]
- Wireless charging system for mobile devices in the front [8]
- ARTICO man-made leather black [9]



[7]



[8]



[9]

Technology Highlights

- Digital Extra: Digital vehicle key for smartphone *



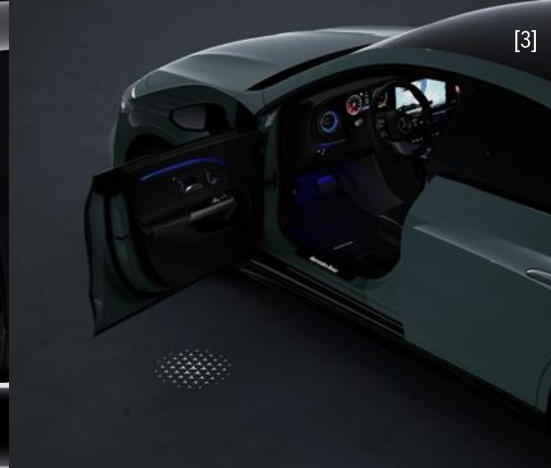


AMG Line Executive

Some of the model features, optional extras and colours shown may not be available, or may be available in a different specification, or at a different price. Option shown: Polar White Solid.

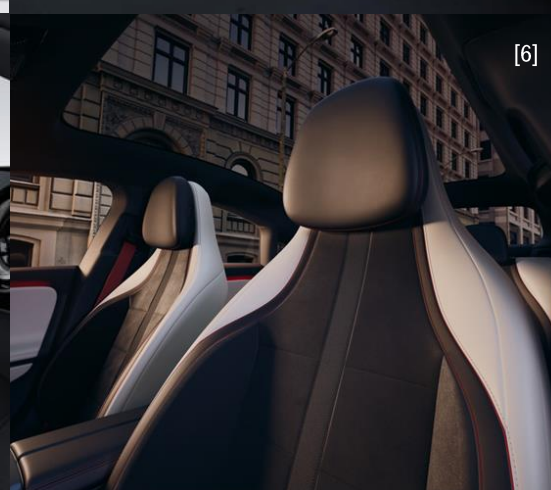
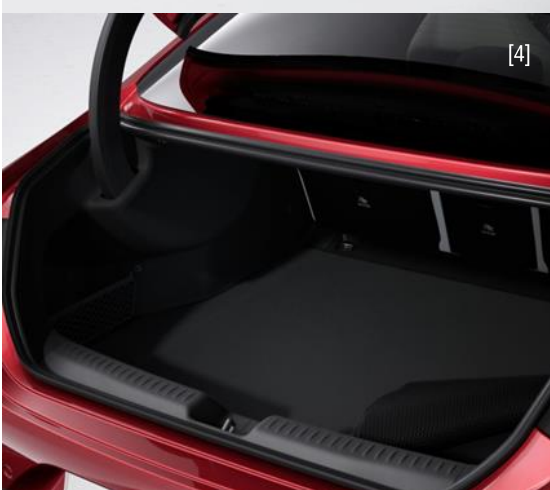


Some of the model features, optional extras and colours shown may not be available, or may be available in a different specification, or at a different price. Option shown: ARTICO man-made leather / MICROCUT microfibre two-tone black / clean white pearl.



Exterior Highlights

- AMG bodystyling [1]
- 18" AMG 5-spoke light-alloy wheels, aerodynamically optimised and painted black with a high-shine finish [2]
- Surround lighting with animated projection of the Mercedes-Benz pattern [3]



Interior Highlights

- Anti-slip mat for boot in black [4]
- ARTICO man-made leather upholstery / MICROCUT microfibre two-tone black / clean white pearl [5]
- Sports seats [6]
- Light carbon-grain aluminium trim elements [7]
- AMG floor mats [8]
- Multifunction sports steering wheel in nappa leather [9]



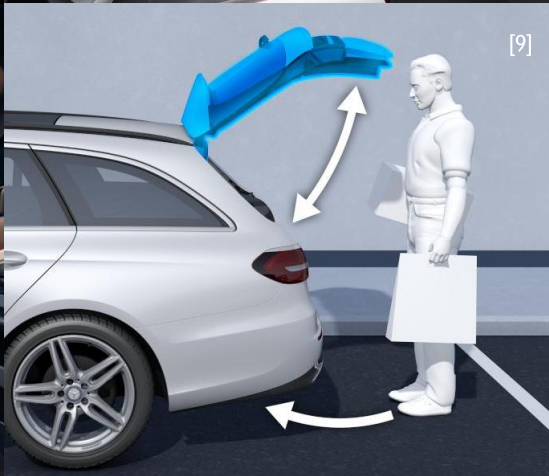
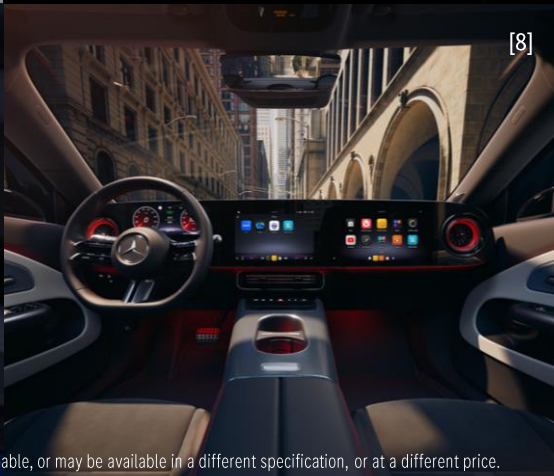


AMG Line Premium

Some of the model features, optional extras and colours shown may not be available, or may be available in a different specification, or at a different price. Option shown: MANUFAKTUR Patagonia Red.



Some of the model features, optional extras and colours shown may not be available, or may be available in a different specification, or at a different price. Option shown: ARTICO man-made leather Black / Power red.



Exterior Highlights

- 19" AMG 5-twin-spoke light-alloy wheels, painted high-gloss black with a high-shine finish [1]

Interior Highlights

- Boot lid convenience closing feature [2]
- Memory package for driver and passenger seats [3]
- Light brushed aluminium trim elements [4]
- THERMOTRONIC 2-zone automatic climate control [5]
- ARTICO man-made leather upholstery / MICROCUT microfibre two-tone black / clean white pearl [6]
- Illuminated door sill panels with interchangeable covers [7]
- MBUX Superscreen - 14-inch front passenger display with touch controls [8]

Technology Highlights

- KEYLESS-GO convenience package with Digital Extras
- HANDS-FREE ACCESS [9]
- Digital Extra: MBUX Entertainment 3 years



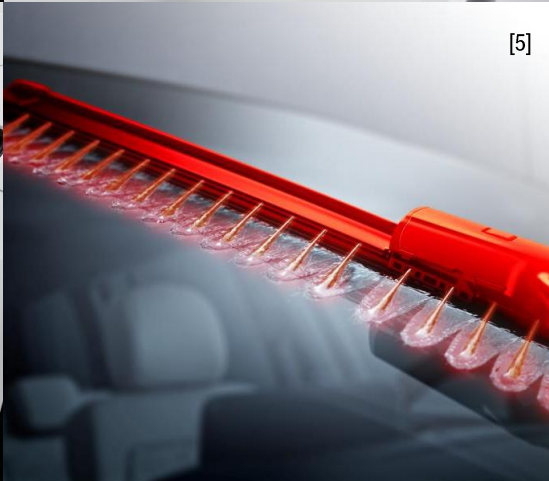


AMG Line Premium
Plus

Some of the model features, optional extras and colours shown may not be available, or may be available in a different specification, or at a different price. Option shown: MANUFAKTUR Alpine Grey solid.



Some of the model features, optional extras and colours shown may not be available, or may be available in a different specification, or at a different price. Option shown: ARTICO man-made leather upholstery / MICROCUT microfibre black.



Exterior Highlights

- 19" AMG multi-spoke light-alloy wheels, painted high-gloss black and dark platinum gloss with a high-shine rim flange [1]
- AMG spoiler lip [2]
- Night package
- Rear light strip [3]
- MULTIBEAM LED with Adaptive Highbeam Assist plus [4]
- Heated wiper blades [5]

Interior Highlights

- Matt white natural fibre silent lines trim elements [6]
- Steering wheel heating [7]

Technology Highlights

- Digital Extra: MB.DRIVE PARKING ASSIST 360 with 360-degree parking camera
- Sound personalisation
- PRE-SAFE® system
- Head-up display [8]
- Burmester® 3D surround sound system [9]

Personalisation



Night Black solid
[696U] - Standard



Polar White solid
[149U] - £0



Aqua-Mint solid
[341U] - £0



Sapphire Blue metallic
[809U] - £715



High-Tech Silver metallic
[922U] - £715



Cosmos Black metallic
[831U] - £715

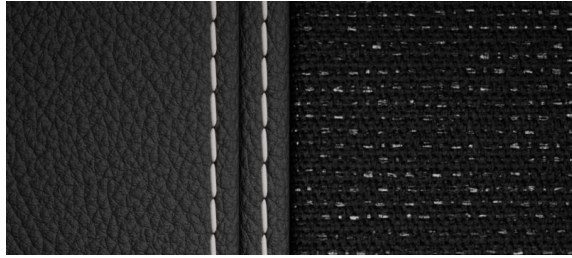


Manufaktur
Patagonia Red metallic
[993U] - £825



Manufaktur
Alpine Grey solid
[956U] - £825

Personalisation



Comfort seats in ARTICO man-made leather / Sortland fabric black [301A]

Sport	✓
Sport Executive	-
AMG Line Executive	-
AMG Line Premium	-
AMG Line Premium Plus	-



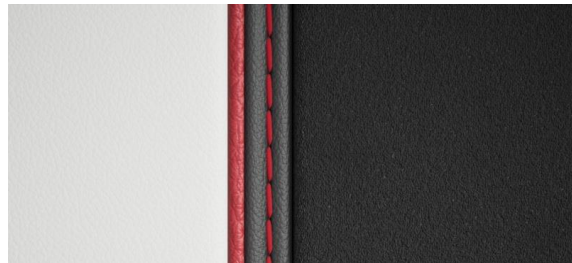
Comfort seats in ARTICO man-made leather black [101A]

Sport	-
Sport Executive	✓
AMG Line Executive	-
AMG Line Premium	-
AMG Line Premium Plus	-



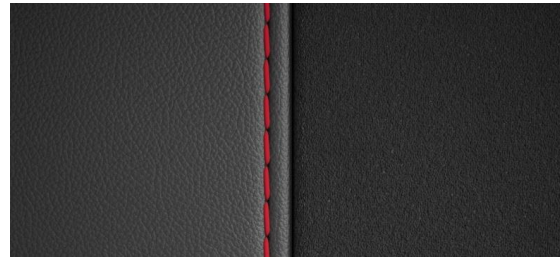
Comfort seats in ARTICO man-made leather ivory beige / black [105A]

Sport	-
Sport Executive	○
AMG Line Executive	-
AMG Line Premium	-
AMG Line Premium Plus	-



Sports seats in ARTICO man-made leather upholstery / MICROCUT microfibre two-tone black / clean white pearl [681A]

Sport	-
Sport Executive	-
AMG Line Executive	✓
AMG Line Premium	✓
AMG Line Premium Plus	✓



Sports Seats in ARTICO man-made leather upholstery / MICROCUT microfibre black [651A]

Sport	-
Sport Executive	-
AMG Line Executive	○
AMG Line Premium	○
AMG Line Premium Plus	○



Sports Seats in ARTICO nappa-look man-made leather / MICROCUT two-tone microfibre Black / power red [151A]

Sport	-
Sport Executive	-
AMG Line Executive	○
AMG Line Premium	○
AMG Line Premium Plus	○

Personalisation



Sports seats in Leather black
[211A]

Sport	-
Sport Executive	-
AMG Line Executive	-
AMG Line Premium	£1,300
AMG Line Premium Plus	£1,300



Personalisation



Anthracite anodised-look trim [59H]

Sport	✓
Sport Executive	–
AMG Line Executive	–
AMG Line Premium	–
AMG Line Premium Plus	–



Light brushed aluminium trim [42H]

Sport	–
Sport Executive	✓
AMG Line Executive	–
AMG Line Premium	✓
AMG Line Premium Plus	–



Light carbon-grain aluminium trim [H43]

Sport	–
Sport Executive	–
AMG Line Executive	✓
AMG Line Premium	–
AMG Line Premium Plus	–



Matt white natural silent trim [19H]

Sport	–
Sport Executive	–
AMG Line Executive	–
AMG Line Premium	–
AMG Line Premium Plus	✓

Personalisation



18" aerodynamic 5-twin-spoke light-alloy wheels painted high-gloss black with a high-sheen finish [R87]

Sport	✓
Sport Executive	-
AMG Line Executive	-
AMG Line Premium	-
AMG Line Premium Plus	-



18" aerodynamic light-alloy wheels in a 5-spoke design, painted high-gloss black with a high-sheen finish [R32]

Sport	-
Sport Executive	✓
AMG Line Executive	-
AMG Line Premium	-
AMG Line Premium Plus	-



18" AMG light-alloy wheels in 5-spoke design, aerodynamic and painted high-gloss black with high-sheen finish [RQK]

Sport	-
Sport Executive	-
AMG Line Executive	✓
AMG Line Premium	-
AMG Line Premium Plus	-



19" AMG 5-twin-spoke light-alloy wheels, aerodynamic, in high-gloss black with a high-sheen finish [RRD]

Sport	-
Sport Executive	-
AMG Line Executive	-
AMG Line Premium	✓
AMG Line Premium Plus	-



19" AMG multi-spoke light-alloy wheels in high-gloss black and dark platinum gloss, with a high-sheen finish and tinted clearcoat [RRF]

Sport	-
Sport Executive	-
AMG Line Executive	-
AMG Line Premium	-
AMG Line Premium Plus	✓



Trailer coupling with ESP® trailer stabilisation [550]

£950

Expand your transport options: With the trailer hitch, you can hitch up trailers as well as mount bicycle racks. The trailer hitch is ready for use in no time at all - and can be folded in behind the rear bumper just as quickly when it is no longer needed.

- Tow Bar -

ESP® trailer stabilisation: when towing a trailer, ESP® trailer stabilisation can automatically intervene in critical situations. Your vehicle recognises the trailer automatically as soon as the electric plug is connected. The ESP® stabilisation functions are automatically active from a speed of 65 km/h. If undesirable swaying movements are detected, the trailer stabilisation actively dampens them with the help of wheel-specific, reciprocal brake applications. In most cases this is already sufficient to reduce dangerous vibrations. If necessary, the system also reduces the speed: for this, the engine torque is reduced, and the vehicle is braked at all four wheels.

Trailer mode: in a menu on the central display, select your trailer type and enter the maximum permissible speed. This allows your vehicle to adapt the functions of the speed limit assistant for trailer operation, for example.

Sport	•
Sport Executive	•
AMG Line Executive	•
AMG Line Premium	•
AMG Line Premium Plus	•

✓ indicates standard equipment, ○ indicates optional at no extra cost, - indicates not available, • indicates a cost option. Price indicates optional at the cost shown. Price shown inclusive of VAT.



DC Charging [83B]

£850

In addition to the 800V Charging capability that comes as standard on CLA, with this optional direct current charging system, you can charge your vehicle with up to 100 kW at compatible 400V fast-charging stations too.

With the direct current charging system, you can charge your vehicle with up to 100 kW at compatible fast-charging stations.

These supply the direct current required for your high-voltage battery - and the system provides the best possible electric range in a short time.

Lossless charging: when converting alternating current (AC) into direct current (DC), losses are incurred which are noticeable in the form of heat. A direct connection to direct current avoids these losses - the battery can be charged with higher power. When charging with direct current you use the European charging standard called the Combined Charging System (CCS).

High-voltage safety concept: the charging process switches off automatically if the vehicle is stationary and a collision is detected when using fast charging. For this purpose, a special sensor system is fitted to the DC box.

Please note, the navigation will still recommend the fastest, most convenient 800V charging stations on your journey and updates the availability in real-time.

Sport	•
Sport Executive	•
AMG Line Executive	•
AMG Line Premium	•
AMG Line Premium Plus	•

✓ indicates standard equipment, ○ indicates optional at no extra cost, - indicates not available, • indicates a cost option. Price indicates optional at the cost shown. Price shown inclusive of VAT.

Pricing

	Powertrain	CO ₂ ¹	Basic RRP excl. VAT	Total RRP incl. VAT	Road Fund Licence ²	Rec. OTR Price ³	P11D Value	BIK Tax Rate 2026/27
Sport	CLA 200 electric	0	£31,900.00	£38,280.00	£10.00	£39,150.00	£39,085.00	4%
	CLA 250+ electric	0	£35,316.67	£42,380.00	£10.00	£43,250.00	£43,185.00	4%
Sport Executive	CLA 200 electric	0	£33,691.67	£40,430.00	£10.00	£41,300.00	£41,235.00	4%
	CLA 250+ electric	0	£37,108.33	£44,530.00	£10.00	£45,400.00	£45,335.00	4%
AMG Line Executive	CLA 200 electric	0	£35,733.33	£42,880.00	£10.00	£43,750.00	£43,685.00	4%
	CLA 250+ electric	0	£39,150.00	£46,980.00	£10.00	£47,850.00	£47,785.00	4%
	CLA 350 4MATIC electric	0	£42,441.67	£50,930.00	£10.00	£51,800.00	£51,735.00	4%
AMG Line Premium	CLA 200 electric	0	£37,316.67	£44,780.00	£10.00	£45,650.00	£45,585.00	4%
	CLA 250+ electric	0	£40,066.67	£48,080.00	£10.00	£48,950.00	£48,885.00	4%
	CLA 350 4MATIC electric	0	£44,025.00	£52,830.00	£10.00	£53,700.00	£53,635.00	4%
AMG Line Premium Plus	CLA 200 electric	0	£39,566.67	£47,480.00	£10.00	£48,350.00	£48,285.00	4%
	CLA 250+ electric	0	£42,983.33	£51,580.00	£10.00	£52,450.00	£52,385.00	4%
	CLA 350 4MATIC electric	0	£46,233.33	£55,480.00	£10.00	£56,350.00	£56,285.00	4%

¹The indicated values were determined according to the prescribed measurement method - Worldwide Harmonised Light Vehicle Test Procedure (WLTP). Figures shown may include options which are not available in the UK. Battery Electric Vehicles (BEV) require mains electricity for charging; range figures determined with the battery fully charged. These models require mains electricity for charging. *Figures shown are for comparability purposes; only compare with other cars tested to the same technical procedures. Figures may not reflect real life driving results, which will depend upon a number of factors including factory-fitted options, accessories fitted (post registration), variations in weather, driving styles and vehicle load. Further information about the test used to establish fuel consumption and CO₂ figures can be found at <http://www.mercedes-benz.co.uk/WLTP> ²A different first year rate of Vehicle Excise Duty (Road Fund Licence) applies for new cars. ³The recommended on-the-road price includes the Road Fund Licence applicable to the standard model plus delivery charge (£780.00 incl. VAT), new vehicle registration fee (£55.00) and number plates (£25.00 incl. VAT). VAT is calculated at the standard rate of 20%. Some of the model features, optional extras and colours shown may not be available, or may only be available in a different specification, or at a different price.

Standard Equipment

	Sport	Sport Executive	AMG Line Executive	AMG Line Premium	AMG Line Premium Plus
Engine, Transmission & Suspension					
58kW (usable) NMC battery (CLA 200)	✓	✓	✓	✓	✓
85kW (usable) NMC battery (CLA 250+ & CLA 350 4MATIC)	✓	✓	✓	✓	✓
CCS-2 connector (DC charging with Combined Charging System, compatible with AC and DC)	✓	✓	✓	✓	✓
On-board AC charger up to 11 kW	✓	✓	✓	✓	✓
Direct current charging system (DC charging with 800 V), at suitable DC charging points and under optimal conditions, it achieves a maximum charging power of up to 200 kW. (CLA 200)	✓	✓	✓	✓	✓
Direct current charging system (DC charging with 800 V), at suitable DC charging points and under optimal conditions, it achieves a maximum charging power of up to 320 kW. (CLA 250+ and CLA 350 4MATIC)	✓	✓	✓	✓	✓
Multi source heat pump for efficient heat management	✓	✓	✓	✓	✓
2-speed transmission and the power electronics form the electric drivetrain (eATS) on the rear axle	✓	✓	✓	✓	✓
Charging cable up to 22 kW for wallbox and public charging station, 7 m, straight	✓	✓	✓	✓	✓
Driving modes – DYNAMIC SELECT drive programmes: "Comfort", "Eco", "Sport" and "Individual"	✓	✓	✓	✓	✓
Comfort suspension	✓	✓	✓	✓	✓
Rear Axle: Multi-link	✓	✓	✓	✓	✓
Exterior					
Sport bodystyling	✓	✓	-	-	-
AMG bodystyling	-	-	✓	✓	✓
AMG Line Plus Bodystyling (with Night Package) - additional gloss-black design elements and AMG spoiler lip	-	-	-	-	✓
Panoramic sunroof - extends over the entire roof surface up, fixed glass roof with coatings for increased protection against heat and sunlight	✓	✓	✓	✓	✓
Surround lighting with animated projection of the Mercedes-Benz pattern, 2x	-	-	✓	✓	✓
Body-coloured door handles	✓	-	-	-	-
Flush-fitting door handles - Automatically retractable and extendable door handles	-	✓	✓	✓	✓
Storage: 405 litre boot volume	✓	✓	✓	✓	✓
Storage: Mechanical front boot (frunk) 101 litre and maximum load of 15kg	✓	✓	✓	✓	✓
Glass – rearscreen, heated with timer control	✓	✓	✓	✓	✓
Lights – LED High Performance headlamps with integrated LED daytime running lights and Adaptive Highbeam Assist	✓	✓	✓	✓	-
Lights – MULTIBEAM LED headlamps and Adaptive Highbeam Assist Plus	-	-	-	-	✓
Lights – LED tail lamps	✓	✓	✓	✓	✓
Rear light strip - Animated light strip between the rear lights	-	-	-	-	✓
Heat-insulating dark-tinted glass - Dark glass for the rear side windows and the rear window	-	✓	✓	✓	✓



✓ indicates standard equipment, ○ indicates optional at no extra cost, - indicates not available. Price indicates optional at the cost shown.

Standard Equipment

	Sport	Sport Executive	AMG Line Executive	AMG Line Premium	AMG Line Premium Plus
Mirror package - Electrically folding mirrors and automatically dimming rear view mirror	✓	✓	✓	✓	✓
MB. Drive Parking Assist	✓	✓	✓	✓	✓
Wheels					
18" 5-twin-spoke light-alloy wheels, aerodynamically optimised, painted in high-gloss black with a high-sheen finish [R87]	✓	-	-	-	-
18" 5-spoke light-alloy wheels, aerodynamically optimised, painted in high-gloss black with a high-sheen finish [R32]	-	✓	-	-	-
18" AMG 5-spoke light-alloy wheels, aerodynamically optimised and painted in high-gloss black with a high-sheen finish [RQK]	-	-	✓	-	-
19" AMG 5-twin-spoke light-alloy wheels, aerodynamically optimised and painted in high-gloss black with a high-sheen finish [RRD]	-	-	-	✓	-
19" AMG multi-spoke light-alloy wheel painted in high-gloss black and dark platinum gloss, with a high-sheen finish and tinted clearcoat [RRF]	-	-	-	-	✓
Interior					
Air conditioning – air vents with surround in silver chrome	✓	✓	✓	✓	✓
THERMATIC one-zone automatic climate control	✓	✓	✓	-	-
THERMOTRONIC two-zone automatic climate control	-	-	-	✓	✓
Centre console with 2 levels: Useful storage compartments and convenient functions such as cup holders are elegantly embedded in it.	✓	✓	✓	✓	✓
Centre armrest – rear, with stowage	-	✓	✓	✓	✓
Cup holder – twin, front	✓	✓	✓	✓	✓
Velour floor mats	✓	✓	-	-	-
Floor mats - Black velour	✓	✓	-	-	-
Floor mats - Black with AMG lettering	-	-	✓	✓	✓
Interior lighting - reading light in 1st row, vanity mirrors, glove compartment, cup holder & front storage compartment	✓	✓	✓	✓	✓
Ambient lighting - at the front and in the rear, including a lighting line from the windscreen to the rear doors, 64 colours and 10 colour worlds.	-	✓	✓	✓	✓
Luggage net on driver`s and front passenger backrest	✓	✓	✓	✓	✓
KEYLESS-GO starting function - push-button start	✓	✓	✓	✓	✓
KEYLESS-GO Convenience Package - start and lock/unlock the car without touching the key. The tailgate can also be opened and losed with a kicking motion beneath the rear bumper.	-	-	-	✓	✓
Illuminated door sill panels with interchangeable covers	-	-	-	✓	✓
Seats - Heated front seats	✓	✓	✓	✓	✓
Seats – Rear seat backrests, split folding (40:20:40)	✓	✓	✓	✓	✓



✓ indicates standard equipment, ○ indicates optional at no extra cost, - indicates not available. Price indicates optional at the cost shown.

Standard Equipment

	Sport	Sport Executive	AMG Line Executive	AMG Line Premium	AMG Line Premium Plus
Seats - Comfortable, fully adjustable front seats with luggage net at the rear	✓	✓	✓	✓	✓
Seats – Sporty contoured seats with adjustable head restraints in integral look	-	-	✓	✓	✓
Seats - Electrically adjustable front memory seats with lumbar support	-	-	-	✓	✓
Seats – 4 way electric lumbar support	✓	✓	✓	✓	✓
Windows – electric windows (4)	✓	✓	✓	✓	✓
Fluorescent jacket	✓	✓	✓	✓	✓
Winter Package - Steering wheel heater and heated windscreen wiper blades	-	-	-	-	✓
Steering					
Steering – Direct-Rack Steer system	✓	✓	✓	✓	✓
Steering column – manually adjustable for height and reach	✓	✓	✓	✓	✓
Leather multifunction sports steering wheel - in leather in 3-spoke design with control buttons on the left and right	✓	✓	-	-	-
Multifunction sports steering wheel in nappa leather is flattened at the bottom and deeply embossed in the grip area - perfect for sporty driving	-	-	✓	✓	✓
Paint, Trim and Upholstery					
Paint – non-metallic	✓	✓	✓	✓	✓
Roof lining – black	✓	✓	✓	✓	✓
Trim - Anthracite anodised-look trim element	✓	-	-	-	-
Trim - Light brushed aluminium trim elements	-	✓	-	✓	-
Trim - Light carbon-grain aluminium trim elements	-	-	✓	-	-
Trim - Matt white natural fibre silent lines trim elements	-	-	-	-	✓
Upholstery - ARTICO man-made leather / Sortland fabric black	✓	-	-	-	-
Upholstery - ARTICO man-made leather black - other options available	-	✓	-	-	-
Upholstery - ARTICO man-made leather upholstery / MICRO CUT microfibre two-tone in black / clean white pearl - other options available	-	-	✓	✓	✓
Black seat belts	✓	✓	✓	✓	✓



Standard Equipment

	Sport	Sport Executive	AMG Line Executive	AMG Line Premium	AMG Line Premium Plus
Safety and Assistance Systems					
Acoustic presence indicator	✓	✓	✓	✓	✓
Emergency Brake Assist ¹	✓	✓	✓	✓	✓
Airbags – dual-stage, driver and front passenger	✓	✓	✓	✓	✓
Airbags – head and sidebags, driver and front passenger	✓	✓	✓	✓	✓
Airbags - Centre airbag - deploys between the driver and front passenger in the event of a severe side impact	✓	✓	✓	✓	✓
Airbags – kneebag for driver	✓	✓	✓	✓	✓
Airbags - Automatic passenger airbag deactivation	✓	✓	✓	✓	✓
Alarm system with immobiliser and interior protection	✓	✓	✓	✓	✓
ATTENTION ASSIST – monitors steering behaviour and can help alert to long journey fatigue ¹	✓	✓	✓	✓	✓
Blind Spot Assist Plus ¹	✓	✓	✓	✓	✓
Braking – adaptive Brake Assist with HOLD function and Hill Start Assist	✓	✓	✓	✓	✓
Braking – adaptive brake lights	✓	✓	✓	✓	✓
Braking – anti-lock braking system (ABS) with Brake Assist (BAS)	✓	✓	✓	✓	✓
Braking – brake-pad wear warning indicator	✓	✓	✓	✓	✓
Crash responsive emergency lighting	✓	✓	✓	✓	✓
Car wash mode - The exterior mirrors fold in, side windows and sliding roof close, windscreen wipers remain switched off and the climate control switches to air-recirculation mode	✓	✓	✓	✓	✓
Digital Extra: Distance Assist DISTRONIC - speed limit function, automatic restart function, route-based speed adjustment ¹	✓	✓	✓	✓	✓
Electric parking brake	✓	✓	✓	✓	✓
Electronic Stability Programme (ESP) with Acceleration Skid Control (ASR)	✓	✓	✓	✓	✓
ESP Curve Dynamic Assist	✓	✓	✓	✓	✓
Exit Warning Function	✓	✓	✓	✓	✓
Evasive Steering Evasive steering function -If you start an evasive manoeuvre, the evasive steering function helps you to swerve and straighten the vehicle in order to avoid a collision ¹	✓	✓	✓	✓	✓
Eye tracking technology to prevent driver distraction	✓	✓	✓	✓	✓
First-aid kit and warning triangle	✓	✓	✓	✓	✓
Headlamp Assist – automatic headlamp activation	✓	✓	✓	✓	✓
KEYLESS-GO start function	✓	✓	✓	✓	✓
Lane Keeping Assist ¹	✓	✓	✓	✓	✓
Lamp failure indicator	✓	✓	✓	✓	✓

¹Our driver assistance and safety systems are aids and do not relieve you of your responsibility as the driver. Please take note of the information in the Owner's Manual and the system limits which are described therein.

✓ indicates standard equipment, ○ indicates optional at no extra cost, - indicates not available. Price indicates optional at the cost shown.

Standard Equipment

	Sport	Sport Executive	AMG Line Executive	AMG Line Premium	AMG Line Premium Plus
Locking – childproof locks, manually operated for rear doors and electrically operated for rear power windows	✓	✓	✓	✓	✓
Locking – remote central locking and crash sensor with emergency opening function	✓	✓	✓	✓	✓
Manoeuvring Assist - detect obstacles, cross-traffic warning, DriveAway Assist ¹	✓	✓	✓	✓	✓
Radar-based recuperation	✓	✓	✓	✓	✓
Rain-sensing windscreen wipers with two sensitivity settings	✓	✓	✓	✓	✓
Rear fog lamp	✓	✓	✓	✓	✓
Seats – automatic child seat recognition sensor (pressure sensor)	✓	✓	✓	✓	✓
Seats – ISOFIX and top-tether child seat fixing points in rear (two outer seats)	✓	✓	✓	✓	✓
Seats – seat occupancy sensor, front passenger seat	✓	✓	✓	✓	✓
Seats – rear belt status indicator in the instrument display	✓	✓	✓	✓	✓
Seat belts – reminder, front and rear	✓	✓	✓	✓	✓
Seat belts – three-point, rear (3)	✓	✓	✓	✓	✓
Seat belt - in black	✓	✓	✓	✓	✓
Speed limit assist ¹	✓	✓	✓	✓	✓
Summer tyres	✓	✓	✓	✓	✓
Tyres – TIREFIT tyre-sealant kit	✓	✓	✓	✓	✓
Tyres – tyre pressure monitoring system	✓	✓	✓	✓	✓
GUARD 360 ° Vehicle protection - anti-theft alarm system	✓	✓	✓	✓	✓
PRE-SAFE® system - Preventive occupant protection, including PRE-SAFE® Curve, PRE-SAFE® sound, reversible belt tensioning and closing function for the side windows.	-	-	-	-	✓
HANDS-FREE ACCESS	-	-	-	✓	✓

¹Our driver assistance and safety systems are aids and do not relieve you of your responsibility as the driver. Please take note of the information in the Owner's Manual and the system limits which are described therein.

✓ indicates standard equipment, ○ indicates optional at no extra cost, - indicates not available. Price indicates optional at the cost shown.

Standard Equipment

	Sport	Sport Executive	AMG Line Executive	AMG Line Premium	AMG Line Premium Plus
Communication and In-Car Entertainment					
Media display – 14" touchscreen display with a resolution of 2,504 x 1,260 pixels	✓	✓	✓	✓	✓
MBUX Superscreen - 14" front passenger display with touch control with a resolution of 2,504 x 1,260 pixels, which can be used to watch film, use productivity apps or play games	-	-	-	✓	✓
Driver display - 10.25" driver display with a resolution of 1,920 x 720 pixels	✓	✓	✓	✓	✓
2 USB-C ports in the storage compartment of the centre console and 2 rear USB-C ports, 100 W, suitable for data transfer, fast charging, and 12V socket for front passenger	✓	✓	✓	✓	✓
DAB digital radio	✓	✓	✓	✓	✓
Supercomputer MB.OS: Intelligent multimedia system with facial recognition	✓	✓	✓	✓	✓
Facial recognition	✓	✓	✓	✓	✓
Selfie and video camera	✓	✓	✓	✓	✓
Digital owners manual - English	✓	✓	✓	✓	✓
Sound System - Mercedes-Benz Sound system - output of 125W from eight speakers	✓	✓	✓	✓	-
Burmester® 3D surround sound system - with 16 speakers and 850 watts of system output and automatic sound focus, to seat recognition and Dolby Atmos®	-	-	-	-	✓
Wireless charging system for mobile devices in the front ⁴	-	✓	✓	✓	✓
Head-up display	-	-	-	-	✓
Digital Extras					
Digital Extra: MBUX Smartphone Integration supports Android Auto™ and Apple CarPlay™ ¹	✓	✓	✓	✓	✓
Adaptive Highbeam Assist	✓	✓	✓	✓	-
Adaptive Highbeam Assist Plus	-	-	-	-	✓
MB.DRIVE PARKING ASSIST with reversing camera, and front and rear parking sensors	✓	✓	✓	✓	-
MB.DRIVE PARKING ASSIST with 360 camera	-	-	-	-	✓
MBUX Entertainment – 3 years access to Digital Extras for entertainment as well as the in-car app store, including music and video streaming services ¹	-	-	-	✓	✓
MBUX Navigation – fast navigation with up-to-date map data and precise real-time information (free for the first seven years)	✓	✓	✓	✓	✓

⁴ Compatible mobile phone required. Please check www.mercedes-benz.com for details or contact your local Mercedes-Benz Agent for further information.

To use this service, you must register on the Digital Extras portal and also accept the Terms of Use for the Digital Extras services. In addition, the respective vehicle must be paired with the user account. Upon expiry of the initial term, the services can be extended for a fee. Initial activation of the services is possible within 1 year of first registration or commissioning by the customer, whichever comes first.

¹ To use this service, you must register on the Digital Extras portal and also accept the Terms of Use for the Digital Extras services. In addition, the respective vehicle must be paired with the user account. Upon expiry of the initial term, the services can be extended for a fee. Initial activation of the services is possible within 1 year of first registration or commissioning by the customer, whichever comes first.

✓ indicates standard equipment, ○ indicates optional at no extra cost, - indicates not available. Price indicates optional at the cost shown.

Optional Equipment

			Sport	Sport Executive	AMG Line Executive	AMG Line Premium	AMG Line Premium Plus
Trailer Coupling with ESP Stabilisation	[550]	£950	•	•	•	•	•
Tow Bar			^	^	^	^	^
ESP Trailer Stabilisation			^	^	^	^	^
Direct current charging system (DC charging, additionally with 400 V)	[83B]	£850	•	•	•	•	•
With the direct current charging system, you can charge your vehicle at both 400V and 800V DC chargers.			^	^	^	^	^
Solid Paint							
Night black solid	[696U]	Standard	✓	✓	✓	✓	✓
Polar white solid	[149U]	£0	○	○	○	○	○
Aqua-mint solid	[341U]	£0	○	○	○	○	○
Metallic Paint							
Cosmos black	[191U]	£715	•	•	•	•	•
High-tech silver	[922U]	£715	•	•	•	•	•
Sapphire blue	[809U]	£715	•	•	•	•	•
MANUFAKTUR Paint							
Patagonia red	[993U]	£825	•	•	•	•	•
Alpine grey solid	[956U]	£825	•	•	•	•	•
Upholstery							
ARTICO man-made leather/ Sortland fabric black	[301A]	Standard	✓	-	-	-	-
ARTICO man-made leather black	[101A]	Standard	-	✓	-	-	-
ARTICO man-made leather upholstery / MICRO CUT microfibre two-tone black / clean white pearl	[681A]	Standard	-	-	✓	✓	✓
No-cost option upholstery							
ARTICO man-made leather ivory beige / black	[105A]	£0	-	○	-	-	-
ARTICO man-made leather, two-tone black / power red	[151A]	£0	-	-	○	○	○
ARTICO man-made leather upholstery / MICRO CUT microfibre black	[651A]	£0	-	-	○	○	○
Cost option upholstery							
Leather black	[211A]	£1,300	-	-	-	•	•

Technical Data

CO2 & Consumption Values						
Bodystyle	Engine	Fuel Type	Transmission	Model Variant	Energy Combined (Wh/km)	EAER Electric Range MILES
Saloon	CLA 200	Electric	Automatic - 2 Speed Transmission	Sport	126	331
				Sport Executive	126	330
				AMG Line Executive	127	329
				AMG Line Premium	132	316
				AMG Line Premium Plus	136	308
	CLA 250+	Electric	Automatic - 2 Speed Transmission	Sport	125	483
				Sport Executive	126	483
				AMG Line Executive	126	480
				AMG Line Premium	132	464
	CLA 350 4MATIC	Electric	Automatic - 2 Speed Transmission	AMG Line Executive	131	465
				AMG Line Premium	137	447
				AMG Line Premium Plus	141	436

Wheels & Tyres				
Model	Wheel Code	Description	Front	Rear
Sport	R87	18" aerodynamics light-alloy wheels in 5-twin-spoke design, painted high-gloss black with high-sheen finish	225/45 R18	255/40 R18
Sport Executive	R32	18" aerodynamics light-alloy wheels in 5-twin-spoke design painted high-gloss black with high-sheen finish	225/45 R18	255/40 R18
AMG Line Executive	RQK	18" AMG light-alloy wheels in 5-twin-spoke design, aerodynamically optimised, painted high-gloss black with high-sheen finish	225/45 R18	255/40 R18
AMG Line Premium	RRD	19" AMG light-alloy wheels in 5-twin-spoke design, aerodynamically optimised, painted high-gloss black with high-sheen finish	225/40 R19	255/35 R19
AMG Line Premium Plus	RRF	19" AMG light-alloy wheels in multi-spoke design painted glossy black and dark platinum gloss with high-sheen finish and tinted clear coat	225/40 R19	225/35 R19

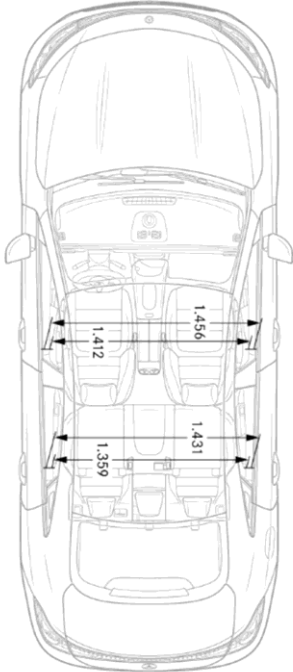
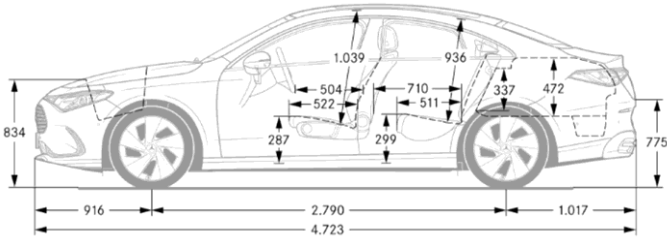
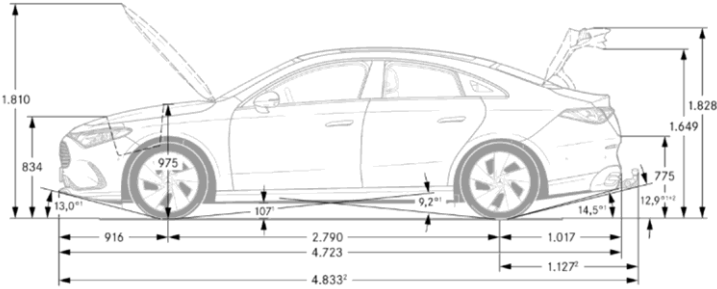
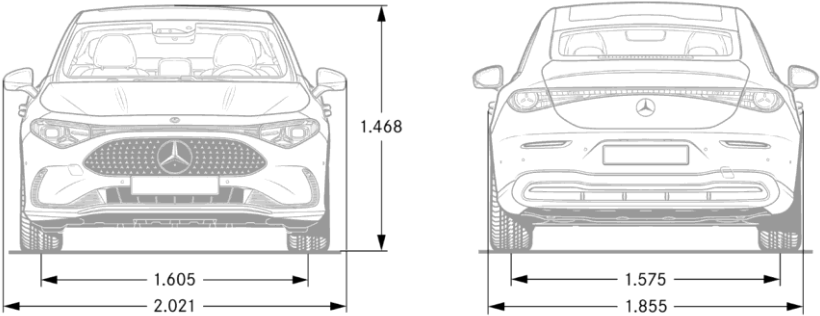
Technical Data

		CLA 200 electric	CLA 250+ electric	CLA 350 4MATIC electric
Emissions				
Emissions standard		Euro 6-WLTP	Euro 6-WLTP	Euro 6-WLTP
Powertrain				
Powertrain		Electric motor	Electric motor	Electric motor
Gearbox		2 speed transmission	2 speed transmission	2 speed transmission
Drive type		4x2 (RWD)	4x2 (RWD)	4x4 (AWD)
Power ¹	hp (kW)	221 (165)	268 (200)	349 (260)
Torque ¹	Nm	335	335	515
Powertrain				
Acceleration (0-62mph)		sec	7.5	6.7
Top speed		mph	130	130
Battery				
Battery type		Lithium-ion	Lithium-ion	Lithium-ion
Battery capacity (useable)		kWh	58	85
Battery warranty		8 years/100,000 Miles	8 years/100,000 Miles	8 years/100,000 Miles
Battery capacity % guaranteed under warranty		70%	70%	70%
Charging				
On-board charger (AC)		kW	11	11
Charging time - Wallbox 11kW AC ²		0-100%	6.5 hours	9 hours
Charging time - Home Wallbox 7kW AC ³		0-100%	9.25 hours	13.45 hours
On-board charger (DC)		kW	200	320
Charging time - public rapid charger (320kW) ⁴		10-80%	20 minutes	22 minutes
Range				
Electric range		miles	300 - 331	439 - 483
Electric energy consumption, combined ⁵		Wh/km	126 - 140	125 - 139
Weights & Capacities				
Kerb weight ⁶		kg	2,081 - 2,114	2,091 - 2,124
Permissible gross vehicle weight		kg	2,500	2,510
Boot capacity		litres	405	405
Frunk' capacity		litres	101	101
Frunk' capacity (ISO 3832)		litres	83	83
Maximum roof load		kg	-	-
Permissible trailer load (unbraked/braked [at 12%])		kg	750 / 1.500	750 / 1.500
Permissible tow ball weight		kg	80	80

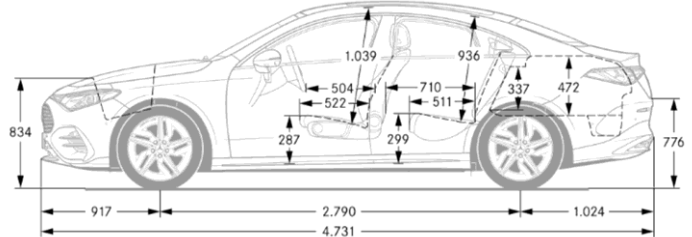
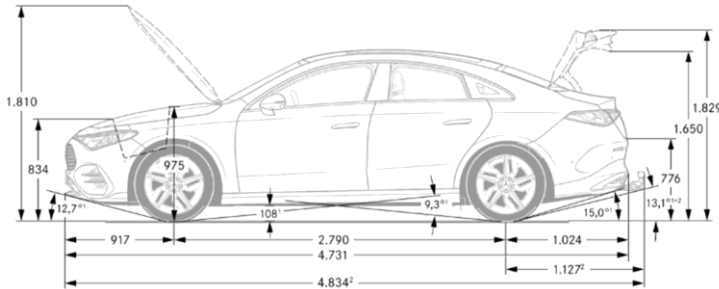
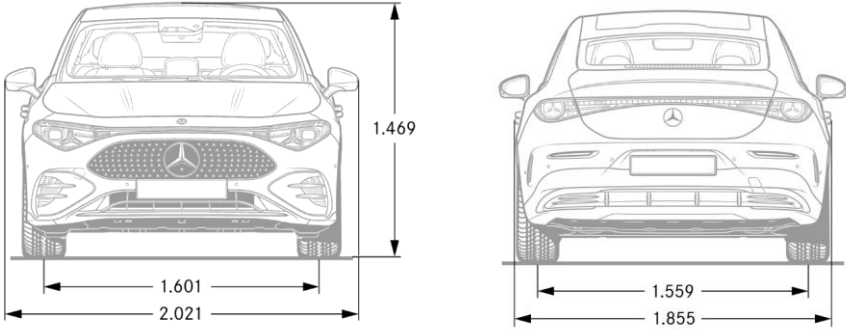
¹ Figures according to Directive 80/1269/EEC in the currently applicable version. ² Mass of the vehicle in running order with at least 90% full fuel tank, plus the mass of the driver (estimated by law at 75kg), fuel and fluids, equipped with the standard equipment as specified by the manufacturer as well as, where applicable, the mass of the body, cab, trailer coupling and spare wheel(s) as well as tools. Optional extras, additional equipment and accessories can influence the weight, residual payload, rolling resistance, aerodynamics, etc., and therefore also affect the consumption/CO₂ values. Further information about the test used to establish range, power consumption and CO₂ figures can be found at www.mercedes-benz.co.uk/WLTP. Specified voltage and current values refer to network infrastructure and can be limited by the vehicle.

Technical Data

Sport



AMG Line



All measurements in millimetres. The dimensions shown are mean values and apply to standard specification, unladen vehicles.

Technical Data

Model Variant	Energy Consumption Combined (Wh/km) ¹	EAER Electric Range MILES <i>BIK</i> ¹
CLA 200 electric Sport	126	331
CLA 200 electric Sport Towing Package	127	327
CLA 200 electric Sport DC Charging	128	326
CLA 200 electric Sport Towing Package & DC Charging	129	322
CLA 200 electric Sport Executive	126	330
CLA 200 electric Sport Executive Towing Package	128	326
CLA 200 electric Sport Executive DC Charging	128	326
CLA 200 electric Sport Executive Towing Package & DC Charging	130	322
CLA 200 electric AMG Line Executive	127	329
CLA 200 electric AMG Line Executive Towing Package	128	324
CLA 200 electric AMG Line Executive DC Charging	129	324
CLA 200 electric AMG Line Executive Towing Package & DC Charging	130	320
CLA 200 electric AMG Line Premium	132	316
CLA 200 electric AMG Line Premium Towing Package	134	312
CLA 200 electric AMG Line Premium DC Charging	134	312
CLA 200 electric AMG Line Premium Towing Package & DC Charging	136	308
CLA 200 electric AMG Line Premium Plus	136	308
CLA 200 electric AMG Line Premium Plus Towing Package	138	304
CLA 200 electric AMG Line Premium Plus DC Charging	138	304
CLA 200 electric AMG Line Premium Plus Towing Package & DC Charging	140	300

¹Figures shown are for compatibility purposes; only compare with other cars tested to the same technical procedures. Figures may not reflect real life driving results, which will depend upon a number of factors including the starting charge of the battery, factory-fitted options, accessories (post registration), variations in weather, driving styles and vehicle load. Further information about the test used to establish range, power consumption and CO2 figures can be found at www.mercedes-benz.co.uk/WLTP.

Technical Data

Model Variant	Energy Consumption Combined (Wh/km) ¹	EAER Electric Range MILES <i>BIK</i> ¹
CLA 250+ electric Sport	125	483
CLA 250+ electric Sport Towing Package	127	478
CLA 250+ electric Sport DC Charging	127	477
CLA 250+ electric Sport Towing Package & DC Charging	129	472
CLA 250+ electric Sport Executive	126	483
CLA 250+ electric Sport Executive Towing Package	127	477
CLA 250+ electric Sport Executive DC Charging	128	477
CLA 250+ electric Sport Executive Towing Package & DC Charging	129	470
CLA 250+ electric AMG Line Executive	126	480
CLA 250+ electric AMG Line Executive Towing Package	128	475
CLA 250+ electric AMG Line Executive DC Charging	128	474
CLA 250+ electric AMG Line Executive Towing Package & DC Charging	130	469
CLA 250+ electric AMG Line Premium	132	464
CLA 250+ electric AMG Line Premium Towing Package	134	457
CLA 250+ electric AMG Line Premium DC Charging	134	457
CLA 250+ electric AMG Line Premium Towing Package & DC Charging	136	450
CLA 250+ electric AMG Line Premium Plus	135	452
CLA 250+ electric AMG Line Premium Plus Towing Package	137	446
CLA 250+ electric AMG Line Premium Brake DC Charging	137	446
CLA 250+ electric AMG Line Premium Plus Towing Package & DC Charging	139	439

¹Figures shown are for compatibility purposes; only compare with other cars tested to the same technical procedures. Figures may not reflect real life driving results, which will depend upon a number of factors including the starting charge of the battery, factory-fitted options, accessories (post registration), variations in weather, driving styles and vehicle load. Further information about the test used to establish range, power consumption and CO2 figures can be found at www.mercedes-benz.co.uk/WLTP.

Technical Data

Model Variant	Energy Consumption Combined (Wh/km) ¹	EAER Electric Range MILES B/K ¹
CLA 350 4MATIC electric AMG Line Executive	131	447
CLA 350 4MATIC electric AMG Line Executive Towing Package	133	459
CLA 350 4MATIC electric AMG Line Executive DC Charging	133	459
CLA 350 4MATIC electric AMG Line Executive Towing Package	135	452
CLA 350 4MATIC electric AMG Line Premium	137	436
CLA 350 4MATIC electric AMG Line Premium Towing Package	139	441
CLA 350 4MATIC electric AMG Line Premium DC Charging	139	441
CLA 350 4MATIC electric AMG Line Premium Towing Package & DC Charging	142	434
CLA 350 4MATIC electric AMG Line Premium Plus	141	436
CLA 350 4MATIC electric AMG Line Premium Plus Towing Package	143	429
CLA 350 4MATIC electric AMG Line Premium Plus DC Charging	143	429
CLA 350 4MATIC electric AMG Line Premium Plus Towing Package & DC Charging	145	423

¹Figures shown are for compatibility purposes; only compare with other cars tested to the same technical procedures. Figures may not reflect real life driving results, which will depend upon a number of factors including the starting charge of the battery, factory-fitted options, accessories (post registration), variations in weather, driving styles and vehicle load. Further information about the test used to establish range, power consumption and CO2 figures can be found at www.mercedes-benz.co.uk/WLTP.



Effective from April 2026 production. Information correct at time of publication
XXX.2026. Prices and specifications are subject to change without prior notice.

Mercedes-Benz

THE NEW CLA

Model Year 807 (Launch)

From April 2026 production





Model Overview



Colours



Upholsteries & Trim



Wheels



Optional Equipment



Pricing



Standard Equipment



Technical Data



Further Information



Digital Extras



Services & Insurance



Roadside Assistance



Online Showroom



Configurator



Genuine Accessories

Model Overview



Sport



Sport Executive



AMG Line Executive



AMG Line Premium



AMG Line Premium Plus





Sport

Some of the model features, optional extras and colours shown may not be available, or may be available in a different specification, or at a different price. Option shown: Night Black Solid.



Some of the model features, optional extras and colours shown may not be available, or may be available in a different specification, or at a different price. Option shown: ARTICO man-made leather / Sortland fabric black.



Exterior Highlights

- 18" 5-spoke light-alloy wheels, painted in high-gloss black with a high-shine finish [1]
- Illuminated radiator grille with Mercedes-Benz pattern in chrome
- LED High performance headlamps with Adaptive Highbeam Assist [2]
- Comfort suspension with ride-height lowering
- Fixed glass panoramic roof [3]
- Sport bodystyling

Interior Highlights

- THERMATIC automatic climate control [4]
- Anthracite anodised-look trim elements [5]
- Heated comfort seats [6]
- 4-way lumbar support [7]
- Leather multifunction sports steering wheel
- ARTICO man-made leather / Sortland fabric black
- USB Package plus

Technology Highlights

- 10.25-inch driver display with 2 individually configurable contexts [8]
- 14-inch central display with touch input and zero-layer user interface
- Blind Spot assist
- Selfie and Video Camera with facial recognition [9]
- Digital Extra: Distance assist DISTRONIC
- MBUX Navigation (free for the first seven years)
- MBUX Smartphone integration





Sport Executive

Some of the model features, optional extras and colours shown may not be available, or may be available in a different specification, or at a different price. Option shown: Aqua-mint non-metallic.



Some of the model features, optional extras and colours shown may not be available, or may be available in a different specification, or at a different price. Option shown: ARTICO man-made leather in black.



Exterior Highlights

- Heat-insulating dark-tinted glass [1]
- 18" 5-spoke light-alloy wheels, painted in high-gloss black with a high-shine finish [2]
- Flush-fitting door handles [3]
- KEYLESS-GO [4]

Interior Highlights

- Rear armrest [5]
- Light brushed aluminium trim elements [6]
- Ambient lighting with 64 colours and 10 colour schemes [7]
- Wireless charging system for mobile devices in the front [8]
- ARTICO man-made leather black [9]



Technology Highlights

- Digital Extra: Digital vehicle key for smartphone. Coming as an OTA update in 2026





AMG Line Executive

Some of the model features, optional extras and colours shown may not be available, or may be available in a different specification, or at a different price. Option shown: Polar White Solid.



Some of the model features, optional extras and colours shown may not be available, or may be available in a different specification, or at a different price. Option shown: ARTICO man-made leather / MICRO CUT microfibre two-tone black / clean white pearl.



Exterior Highlights

- AMG bodystyling [1]
- Sporty engine sound
- 18" AMG 5-spoke light-alloy wheels, aerodynamically optimised and painted black with a high-sheen finish [2]
- Surround lighting with animated projection of the Mercedes-Benz pattern [3]



Interior Highlights

- Anti-slip mat for boot in black [4]
- ARTICO man-made leather upholstery / MICROCUT microfibre two-tone black / clean white pearl [5]
- Sports seats [6]
- Light carbon-grain aluminium trim elements [7]
- AMG floor mats [8]
- Multifunction sports steering wheel in nappa leather [9]



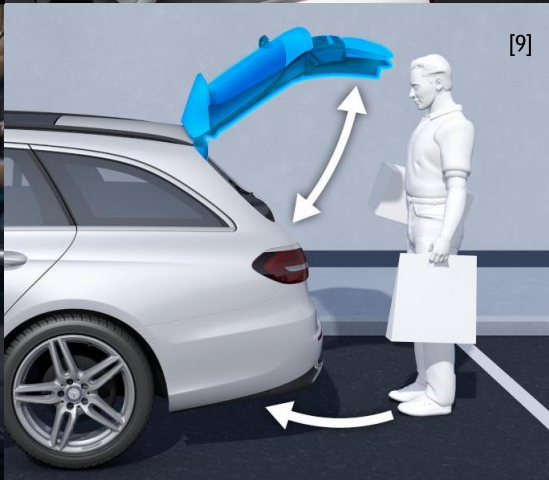
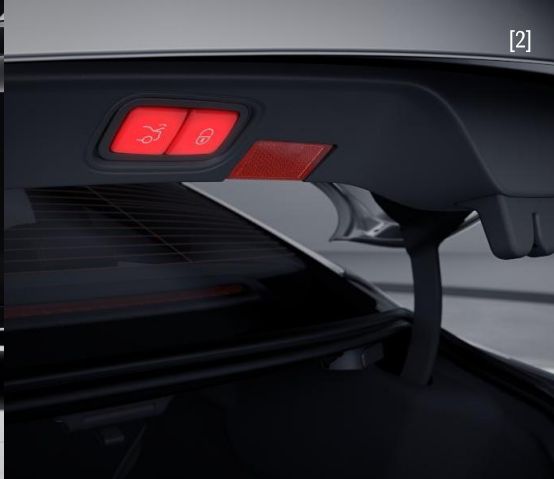


AMG Line Premium

Some of the model features, optional extras and colours shown may not be available, or may be available in a different specification, or at a different price. Option shown: MANUFAKTUR Patagonia Red.



Some of the model features, optional extras and colours shown may not be available, or may be available in a different specification, or at a different price. Option shown: ARTICO man-made leather Black / Power red.



Exterior Highlights

- 19" AMG 5-twin-spoke light-alloy wheels, painted high-gloss black with a high-shine finish [1]

Interior Highlights

- Boot lid convenience closing feature [2]
- Memory package for driver and passenger seats [3]
- Light brushed aluminium trim elements [4]
- THERMOTRONIC 2-zone automatic climate control [5]
- ARTICO man-made leather upholstery / MICROCUT microfibre two-tone black / clean white pearl [6]
- Illuminated door sill panels with interchangeable covers [7]
- MBUX Superscreen - 14-inch front passenger display with touch controls [8]

Technology Highlights

- KEYLESS-GO convenience package with Digital Extras
- HANDS-FREE ACCESS [9]
- Digital Extra: MBUX Entertainment 3 years





AMG Line Premium
Plus

Some of the model features, optional extras and colours shown may not be available, or may be available in a different specification, or at a different price. Option shown: MANUFAKTUR Alpine Grey solid.

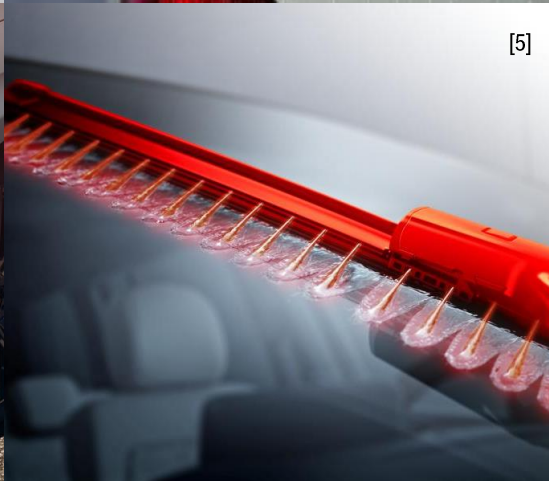


Some of the model features, optional extras and colours shown may not be available, or may be available in a different specification, or at a different price. Option shown: ARTICO man-made leather upholstery / MICROCUT microfibre black.



Exterior Highlights

- 19" AMG multi-spoke light-alloy wheels, painted high-gloss black and dark platinum gloss with a high-sheen rim flange [1]
- AMG spoiler lip [2]
- Night package
- Rear light strip [3]
- MULTIBEAM LED with Adaptive Highbeam Assist plus [4]
- Heated wiper blades [5]



Interior Highlights

- Matt white natural fibre silent lines trim elements [6]
- Steering wheel heating [7]

Technology Highlights

- Digital Extra: MB.DRIVE PARKING ASSIST 360 with 360-degree parking camera
- Sound personalisation
- PRE-SAFE® system
- Head-up display [8]
- Burmester® 3D surround sound system [9]
- Digital Extra: MB.DRIVE PARKING ASSIST 360 with 360-degree parking camera



Personalisation



Night Black solid
[696U] - Standard



Polar White solid
[149U] - £0



Aqua-Mint solid
[341U] - £0



Sapphire Blue metallic
[809U] - £715



High-Tech Silver metallic
[922U] - £715



Cosmos Black metallic
[831U] - £715

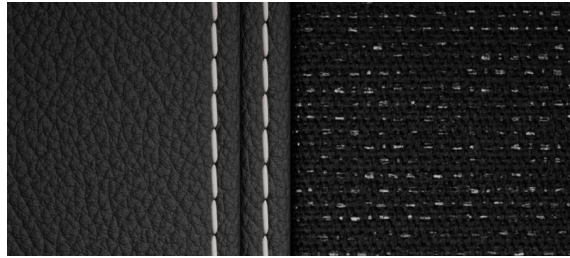


Manufaktur
Patagonia Red metallic
[993U] - £825



Manufaktur
Alpine Grey solid
[956U] - £825

Personalisation



Comfort seats in ARTICO man-made leather / Sortland fabric black [301A]

Sport	✓
Sport Executive	-
AMG Line Executive	-
AMG Line Premium	-
AMG Line Premium Plus	-



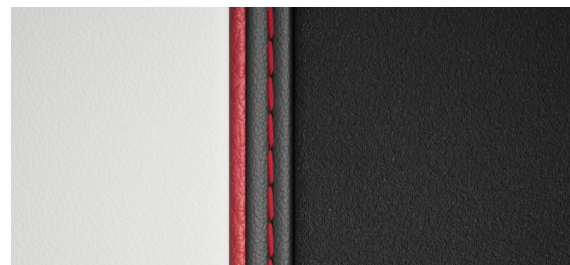
Comfort seats in ARTICO man-made leather black [101A]

Sport	-
Sport Executive	✓
AMG Line Executive	-
AMG Line Premium	-
AMG Line Premium Plus	-



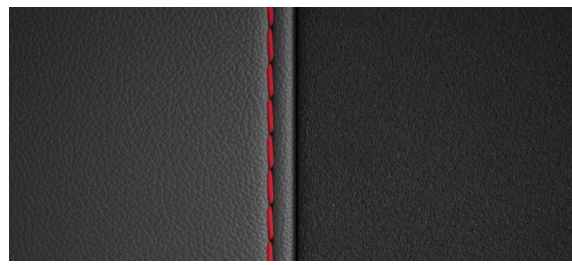
Comfort seats in ARTICO man-made leather ivory beige / black [105A]

Sport	-
Sport Executive	○
AMG Line Executive	-
AMG Line Premium	-
AMG Line Premium Plus	-



Sports seats in ARTICO man-made leather upholstery / MICROCUT microfibre two-tone black / clean white pearl [681A]

Sport	-
Sport Executive	-
AMG Line Executive	✓
AMG Line Premium	✓
AMG Line Premium Plus	✓



Sports Seats in ARTICO man-made leather upholstery / MICROCUT microfibre black [651A]

Sport	-
Sport Executive	-
AMG Line Executive	○
AMG Line Premium	○
AMG Line Premium Plus	○



Sports Seats in Two-tone ARTICO nappa-look man-made leather Black / power red [151A]

Sport	-
Sport Executive	-
AMG Line Executive	○
AMG Line Premium	○
AMG Line Premium Plus	○



Personalisation



Sports seats in Leather black
[211A]

Sport	-
Sport Executive	-
AMG Line Executive	-
AMG Line Premium	£1,300
AMG Line Premium Plus	£1,300



Personalisation



Anthracite anodised-look trim [59H]

Sport	✓
Sport Executive	–
AMG Line Executive	–
AMG Line Premium	–
AMG Line Premium Plus	–



Light brushed aluminium trim [42H]

Sport	–
Sport Executive	✓
AMG Line Executive	–
AMG Line Premium	✓
AMG Line Premium Plus	–



Light carbon-grain aluminium trim [H43]

Sport	–
Sport Executive	–
AMG Line Executive	✓
AMG Line Premium	–
AMG Line Premium Plus	–



Matt white natural silent trim [19H]

Sport	–
Sport Executive	–
AMG Line Executive	–
AMG Line Premium	–
AMG Line Premium Plus	✓

Personalisation



18" 5-twin-spoke light-alloy wheels, aerodynamically optimised and painted high-gloss black with a high-sheen finish [R67]

Sport	✓
Sport Executive	-
AMG Line Executive	-
AMG Line Premium	-
AMG Line Premium Plus	-



18" 5-spoke light-alloy wheels, aerodynamically optimised and painted in high-gloss black with a high-sheen finish [R31]

Sport	-
Sport Executive	✓
AMG Line Executive	-
AMG Line Premium	-
AMG Line Premium Plus	-



18" AMG 5-spoke light-alloy wheels, aerodynamically optimised and painted in high-gloss black with a high-sheen finish [RQR]

Sport	-
Sport Executive	-
AMG Line Executive	✓
AMG Line Premium	-
AMG Line Premium Plus	-



19" AMG 5-twin-spoke light-alloy wheels, aerodynamically optimised and painted in high-gloss black with a high-sheen finish [RRH]

Sport	-
Sport Executive	-
AMG Line Executive	-
AMG Line Premium	✓
AMG Line Premium Plus	-



19" AMG multi-spoke light-alloy wheels painted in high-gloss black and dark platinum gloss, with a high-sheen finish and tinted clearcoat [RVG]

Sport	-
Sport Executive	-
AMG Line Executive	-
AMG Line Premium	-
AMG Line Premium Plus	✓



Trailer coupling with ESP® trailer stabilisation [550]

£950

Expand your transport options: With the trailer hitch, you can hitch up trailers as well as mount bicycle racks. The trailer hitch is ready for use in no time at all - and can be folded in behind the rear bumper just as quickly when it is no longer needed.

- Tow Bar -

ESP® trailer stabilisation: when towing a trailer, ESP® trailer stabilisation can automatically intervene in critical situations. Your vehicle recognises the trailer automatically as soon as the electric plug is connected. The ESP® stabilisation functions are automatically active from a speed of 65 km/h. If undesirable swaying movements are detected, the trailer stabilisation actively dampens them with the help of wheel-specific, reciprocal brake applications. In most cases this is already sufficient to reduce dangerous vibrations. If necessary, the system also reduces the speed: for this, the engine torque is reduced, and the vehicle is braked at all four wheels.

Trailer mode: in a menu on the central display, select your trailer type and enter the maximum permissible speed. This allows your vehicle to adapt the functions of the speed limit assistant for trailer operation, for example.

Sport	•
Sport Executive	•
AMG Line Executive	•
AMG Line Premium	•
AMG Line Premium Plus	•

✓ indicates standard equipment, ○ indicates optional at no extra cost, - indicates not available, • indicates a cost option. Price indicates optional at the cost shown. Price shown inclusive of VAT.

Pricing

	Powertrain	CO ₂ ¹	Basic RRP excl. VAT	Total RRP incl. VAT	Road Fund Licence ²	Rec. OTR Price ³	P11D Value	BIK Tax Rate 2026/27
Sport	CLA 180 Sport	114	£31,166.67	£37,400.00	£455.00	£38,715.00	£38,205.00	28%
	CLA 200 Sport	114	£32,250.00	£38,700.00	£455.00	£40,015.00	£39,505.00	28%
	CLA 220 4MATIC Sport	123	£35,166.67	£42,200.00	£455.00	£43,515.00	£43,005.00	30%
Sport Executive	CLA 180 Sport Executive	115	£33,541.67	£40,250.00	£455.00	£41,565.00	£41,055.00	29%
	CLA 200 Sport Executive	114	£34,625.00	£41,550.00	£455.00	£42,865.00	£42,355.00	28%
	CLA 220 4MATIC Sport Executive	123	£37,541.67	£45,050.00	£455.00	£46,365.00	£45,855.00	30%
AMG Line Executive	CLA 180 AMG Line Executive	115	£35,583.33	£42,700.00	£455.00	£44,015.00	£43,505.00	29%
	CLA 200 AMG Line Executive	115	£36,666.67	£44,000.00	£455.00	£45,315.00	£44,805.00	29%
	CLA 220 4MATIC AMG Line Executive	124	£39,583.33	£47,500.00	£455.00	£48,815.00	£48,305.00	30%
AMG Line Premium	CLA 180 AMG Line Premium	118	£37,166.67	£44,600.00	£455.00	£45,915.00	£45,405.00	29%
	CLA 200 AMG Line Premium	117	£38,250.00	£45,900.00	£455.00	£47,215.00	£46,705.00	29%
	CLA 220 4MATIC AMG Line Premium	126	£41,166.67	£49,400.00	£455.00	£50,715.00	£50,205.00	31%
AMG Line Premium Plus	CLA 180 AMG Line Premium Plus	119	£39,416.67	£47,300.00	£455.00	£48,615.00	£48,105.00	29%
	CLA 200 AMG Line Premium Plus	118	£40,500.00	£48,600.00	£455.00	£49,915.00	£49,405.00	29%
	CLA 220 4MATIC AMG Line Premium Plus	127	£43,416.67	£52,100.00	£455.00	£53,415.00	£52,905.00	31%

¹The indicated values were determined according to the prescribed measurement method - Worldwide Harmonised Light Vehicle Test Procedure (WLTP). Figures shown may include options which are not available in the UK. Battery Electric Vehicles (BEV) require mains electricity for charging; range figures determined with the battery fully charged. These models require mains electricity for charging. ²Figures shown are for comparability purposes; only compare with other cars tested to the same technical procedures. Figures may not reflect real life driving results, which will depend upon a number of factors including factory-fitted options, accessories fitted (post registration), variations in weather, driving styles and vehicle load. Further information about the test used to establish fuel consumption and CO₂ figures can be found at <http://www.mercedes-benz.co.uk/WLTP> ³A different first year rate of Vehicle Excise Duty (Road Fund Licence) applies for new cars. ³The recommended on-the-road price includes the Road Fund Licence applicable to the standard model plus delivery charge (£780.00 incl. VAT), new vehicle registration fee (£55.00) and number plates (£25.00 incl. VAT). VAT is calculated at the standard rate of 20%. Some of the model features, optional extras and colours shown may not be available, or may only be available in a different specification, or at a different price.

Standard Equipment

	Sport	Sport Executive	AMG Line Executive	AMG Line Premium	AMG Line Premium Plus
Engine, Transmission & Suspension					
4MATIC four-wheel drive - variable all-wheel drive system designed for all weather (CLA 220 4MATIC only)	✓	✓	✓	✓	✓
8G-eDCT dual clutch transmission, 8-speed automatic - 2 partial gearboxes, each with its own clutch and additional separating clutch for the electric motor	✓	✓	✓	✓	✓
Electric motor, 22 kW peak power, 205 Nm maximum torque - Basic functions: electric drive, boost, recuperation and starting the combustion engine	✓	✓	✓	✓	✓
Driving modes – DYNAMIC SELECT drive programmes: "Comfort", "Eco", "Sport" and "Individual"	✓	✓	✓	✓	✓
Comfort suspension with ride-height lowering	✓	✓	✓	✓	✓
Exterior					
Sport bodystyling	✓	✓	-	-	-
AMG bodystyling	-	-	✓	✓	-
AMG Line Plus Bodystyling (with Night Package) - additional gloss-black design elements	-	-	-	-	✓
Panoramic sunroof - extends over the entire roof surface up, fixed glass roof with coatings for increased protection against heat and sunlight	✓	✓	✓	✓	✓
Surround lighting with animated projection of the Mercedes-Benz pattern, 2x	-	-	✓	✓	✓
Door handles – Body-coloured	✓	-	-	-	-
Door handles – Flush-fitting door handles in body-colour	-	✓	✓	✓	✓
Storage: 405 litre boot volume	✓	✓	✓	✓	✓
Glass – rearscreen, heated with timer control	✓	✓	✓	✓	✓
Lights – LED High Performance headlamps with integrated LED daytime running lights and Adaptive Highbeam Assist	✓	✓	✓	✓	-
Lights – MULTIBEAM LED headlamps and Adaptive Highbeam Assist Plus	-	-	-	-	✓
Lights – LED tail lamps	✓	✓	✓	✓	✓
Heat-insulating dark-tinted glass - Dark glass for the rear side windows and the rear window	-	✓	✓	✓	✓
Mirror package - electrically folding mirrors and automatically dimming rear view mirror	✓	✓	✓	✓	✓
MB. Drive Parking Assist	✓	✓	✓	✓	✓



✓ indicates standard equipment, ○ indicates optional at no extra cost, - indicates not available. Price indicates optional at the cost shown.

Standard Equipment

	Sport	Sport Executive	AMG Line Executive	AMG Line Premium	AMG Line Premium Plus
Wheels					
18" 5-twin-spoke light-alloy wheels, painted in high-gloss black and with a high-sheen finish [R67]	✓	-	-	-	-
18" 5-spoke light-alloy wheels, painted in high-gloss black and with a high-sheen finish [R31]	-	✓	-	-	-
18" AMG 5-spoke light-alloy wheels, painted in high-gloss black and with a high-sheen finish [RQR]	-	-	✓	-	-
19" AMG 5-twin-spoke light-alloy wheels, painted in high-gloss black and with a high-sheen finish [RRH]	-	-	-	✓	-
19" AMG multi-spoke light-alloy wheels painted in high-gloss black and dark platinum gloss, with a high-sheen finish and tinted clearcoat [RVG]	-	-	-	-	✓
Interior					
Air conditioning – air vents with surround in silver chrome	✓	✓	✓	✓	✓
THERMATIC one-zone automatic climate control	✓	✓	✓	-	-
THERMOTRONIC two-zone automatic climate control	-	-	-	✓	✓
Centre console with 2 levels: Usage storage compartments and convenient functions such as cup holders are elegantly embedded in it	✓	✓	✓	✓	✓
Centre armrest – rear, with stowage	-	✓	✓	✓	✓
Cup holder – twin, front	✓	✓	✓	✓	✓
Velour floor mats	✓	✓	-	-	-
Floor mats - Black with AMG lettering	-	-	✓	✓	✓
Interior lighting - Reading light 1st seat row, vanity mirrors, glove compartment, cup holders & front storage compartment	✓	✓	✓	✓	✓
Ambient lighting - at the front and in the rear, including a lighting line from the windscreen to the rear doors, 64 colours and 10 colour worlds	-	✓	✓	✓	✓
Luggage net on driver`s and front passenger backrest	✓	✓	✓	✓	✓
KEYLESS-GO starting function - push-button start	-	✓	✓	✓	✓
KEYLESS-GO Convenience Package - start and lock/unlock the car without touching the key. The tailgate can also be opened and closed with a kicking motion beneath the rear bumper.	-	-	-	✓	✓
Illuminated door sill panels with interchangeable covers	-	-	-	✓	✓
Seats - Heated front seats	✓	✓	✓	✓	✓
Seats – Rear seat backrests, split folding (40:20:40)	✓	✓	✓	✓	✓
Seats - Comfort seats	✓	✓	-	-	-
Seats – Sport seats with adjustable head restraints	-	-	✓	✓	✓
Seats - Electrically adjustable front memory seats with lumbar support	-	-	-	✓	✓
Seats – 4 way electric lumbar support	✓	✓	✓	✓	✓
Sun visor with illuminated vanity mirror	✓	✓	✓	✓	✓



✓ indicates standard equipment, ○ indicates optional at no extra cost, - indicates not available. Price indicates optional at the cost shown.

Standard Equipment

	Sport	Sport Executive	AMG Line Executive	AMG Line Premium	AMG Line Premium Plus
Windows – electric windows (4)	✓	✓	✓	✓	✓
Fluorescent jacket	✓	✓	✓	✓	✓
Steering					
Steering – Direct-Rack Steer system	✓	✓	✓	✓	✓
Steering column – manually adjustable for height and reach	✓	✓	✓	✓	✓
Leather multifunction sports steering wheel - in leather in 3-spoke design with control buttons on the left and right	✓	✓	-	-	-
Multifunction sports steering wheel in nappa leather is flattened at the bottom and deeply embossed in the grip area - perfect for sporty driving	-	-	✓	✓	✓
Paint, Trim and Upholstery					
Paint – non-metallic	✓	✓	✓	✓	✓
Roof lining – black	✓	✓	✓	✓	✓
Trim - Anthracite anodised-look trim element	✓	-	-	-	-
Trim - Light brushed aluminium trim elements	-	✓	-	✓	-
Trim - Light carbon-grain aluminium trim elements	-	-	✓	-	-
Trim - Matt white natural fibre silent lines trim elements	-	-	-	-	✓
Upholstery - ARTICO man-made leather / Sortland fabric black	✓	-	-	-	-
Upholstery - ARTICO man-made leather black	-	✓	-	-	-
Upholstery - ARTICO man-made leather upholstery / MICROCUT microfibre two-tone in black / clean white pearl			✓	✓	✓
Black seat belts	✓	✓	✓	✓	✓
Digital Extras					
Digital Extra: MBUX Smartphone Integration supports Android Auto™ and Apple CarPlay™ ¹	✓	✓	✓	✓	✓
Adaptive Highbeam Assist	✓	✓	✓	✓	-
Adaptive Highbeam Assist Plus	-	-	-	-	✓
Active Distance Assist DISTRONIC – the system uses sensors to detect vehicles travelling in the direction of travel and regulates the pre-selected target distance	✓	✓	✓	✓	✓
MB.DRIVE PARKING ASSIST with reversing camera, and front and rear parking sensors	✓	✓	✓	✓	✓
MB.DRIVE PARKING ASSIST 360 with 360-degree reversing camera, and front and rear parking sensors	-	-	-	-	✓
MBUX Entertainment – 3 years access to Digital Extras for entertainment as well as the in-car app store, including music and video streaming services ¹	-	-	-	✓	✓
MBUX Navigation – fast navigation with up-to-date map data and precise real-time information (free for the first seven years)	✓	✓	✓	✓	✓
Mercedes-Benz app - Extended MBUX functions ¹	✓	✓	✓	✓	✓

¹To use this service, you must register on the Digital Extras portal and also accept the Terms of Use for the Digital Extras services. In addition, the respective vehicle must be paired with the user account. Upon expiry of the initial term, the services can be extended for a fee. Initial activation of the services is possible within 1 year of first registration or commissioning by the customer, whichever comes first.

✓ indicates standard equipment, ○ indicates optional at no extra cost, - indicates not available, ● indicates a cost option.

Standard Equipment

	Sport	Sport Executive	AMG Line Executive	AMG Line Premium	AMG Line Premium Plus
Safety and Assistance Systems					
Acoustic presence indicator	✓	✓	✓	✓	✓
Emergency Brake Assist ¹	✓	✓	✓	✓	✓
Airbags – dual-stage, driver and front passenger	✓	✓	✓	✓	✓
Airbags – head and sidebags, driver and front passenger	✓	✓	✓	✓	✓
Airbags - Centre airbag - deploys between the driver and front passenger in the event of a severe side impact	✓	✓	✓	✓	✓
Airbags – knee bag for driver	✓	✓	✓	✓	✓
Airbags - Automatic passenger airbag deactivation	✓	✓	✓	✓	✓
Alarm system with immobiliser and interior protection – Thatcham category 1 (T1)	✓	✓	✓	✓	✓
ATTENTION ASSIST – monitors steering behaviour and can help alert to long journey fatigue ¹	✓	✓	✓	✓	✓
Blind Spot Assist Plus ¹	✓	✓	✓	✓	✓
Braking – adaptive Brake Assist with HOLD function and Hill Start Assist	✓	✓	✓	✓	✓
Braking – adaptive brake lights	✓	✓	✓	✓	✓
Braking – anti-lock braking system (ABS) with Brake Assist (BAS)	✓	✓	✓	✓	✓
Braking – brake-pad wear warning indicator	✓	✓	✓	✓	✓
Crash responsive emergency lighting	✓	✓	✓	✓	✓
Car wash mode - The exterior mirrors fold in, side windows and sliding roof close, windscreen wipers remain switched off and the climate control switches to air-recirculation mode.	✓	✓	✓	✓	✓
Digital Extra: Distance Assist DISTRONIC - speed limit function, automatic restart function, route-based speed adjustment ¹	✓	✓	✓	✓	✓
Electric parking brake	✓	✓	✓	✓	✓
Electronic Stability Programme (ESP®) with Acceleration Skid Control (ASR)	✓	✓	✓	✓	✓
ESP Curve Dynamic Assist	✓	✓	✓	✓	✓
Exit Warning Function	✓	✓	✓	✓	✓
Evasive Steering Evasive steering function -If you start an evasive manoeuvre, the evasive steering function helps you to swerve and straighten the vehicle in order to avoid a collision ¹	✓	✓	✓	✓	✓
Eye tracking technology to prevent driver distraction	✓	✓	✓	✓	✓
First-aid kit and warning triangle	✓	✓	✓	✓	✓
Headlamp Assist – automatic headlamp activation	✓	✓	✓	✓	✓



¹Our driver assistance and safety systems are aids and do not relieve you of your responsibility as the driver. Please take note of the information in the Owner's Manual and the system limits which are described therein.

✓ indicates standard equipment, ○ indicates optional at no extra cost, - indicates not available. Price indicates optional at the cost shown.

Standard Equipment

	Sport	Sport Executive	AMG Line Executive	AMG Line Premium	AMG Line Premium Plus
KEYLESS-GO start function	✓	✓	✓	✓	✓
Lane Keeping Assist ¹	✓	✓	✓	✓	✓
Lamp failure indicator	✓	✓	✓	✓	✓
Locking – childproof locks, manually operated for rear doors and electrically operated for rear power windows	✓	✓	✓	✓	✓
Locking – remote central locking and crash sensor with emergency opening function	✓	✓	✓	✓	✓
Manoeuvring Assist - detect obstacles, cross-traffic warning, driveaway assist	✓	✓	✓	✓	✓
Radar-based recuperation	✓	✓	✓	✓	✓
Rain-sensing windscreen wipers with two sensitivity settings	✓	✓	✓	✓	✓
Rear fog lamp	✓	✓	✓	✓	✓
Seats – automatic child seat recognition sensor (pressure sensor)	✓	✓	✓	✓	✓
Seats – ISOFIX and top-tether child seat fixing points in rear (two outer seats)	✓	✓	✓	✓	✓
Seats – seat occupancy sensor, front passenger seat	✓	✓	✓	✓	✓
Seats – Rear belt status indicator in the instrument display	✓	✓	✓	✓	✓
Seat belts – reminder, front and rear	✓	✓	✓	✓	✓
Seat belts – three-point, rear (3)	✓	✓	✓	✓	✓
Seat belt - in black	✓	✓	✓	✓	✓
Speed limit assist	✓	✓	✓	✓	✓
Summer tyres	✓	✓	✓	✓	✓
Tyres – TIREFIT tyre-sealant kit	✓	✓	✓	✓	✓
Tyres – tyre pressure monitoring system	✓	✓	✓	✓	✓
PRE-SAFE GUARD 360 ° Vehicle protection - anti-theft alarm system	✓	✓	✓	✓	✓



¹Our driver assistance and safety systems are aids and do not relieve you of your responsibility as the driver. Please take note of the information in the Owner's Manual and the system limits which are described therein.

✓ indicates standard equipment, ○ indicates optional at no extra cost, - indicates not available. Price indicates optional at the cost shown.

Standard Equipment

	Sport	Sport Executive	AMG Line Executive	AMG Line Premium	AMG Line Premium Plus
Communication and In-Car Entertainment					
Media display – 14" touchscreen display with a resolution of 2,504 x 1,260 pixels	✓	✓	✓	✓	✓
MBUX Superscreen - 14" front passenger display with touch control with a resolution of 2,504 x 1,260 pixels, which can be used to watch films, use productivity apps or play games	-	-	-	✓	✓
Driver display - 10.25" driver display with a resolution of 1,920 x 720 pixels	✓	✓	✓	✓	✓
2 USB-C ports in the storage compartment under the armrest of the centre console. 100 W, suitable for data transfer, 2 rear USB-C ports on the centre armrest, fast charging, 100 W	✓	✓	✓	✓	✓
DAB digital radio	✓	✓	✓	✓	✓
Supercomputer MB.OS: The versatile and intelligent multimedia system with facial recognition	✓	✓	✓	✓	✓
Facial recognition	✓	✓	✓	✓	✓
Selfie and video camera	✓	✓	✓	✓	✓
Digital owners manual - English	✓	✓	✓	✓	✓
Sound System - Mercedes-Benz Sound system - output of 125W from eight speakers	✓	✓	✓	✓	-
Burmester® 3D surround sound system - with 16 speakers and 850 watts of system output and automatic sound focus, to seat recognition and Dolby Atmos	-	-	-	-	✓
Wireless charging system for mobile devices in the front ¹	-	✓	✓	✓	✓

¹Compatible mobile phone required. Please check www.mercedes-benz.com for details or contact your local Mercedes-Benz Agent for further information.

To use this service, you must register on the Digital Extras portal and also accept the Terms of Use for the Digital Extras services. In addition, the respective vehicle must be paired with the user account. Upon expiry of the initial term, the services can be extended for a fee. Initial activation of the services is possible within 1 year of first registration or commissioning by the customer, whichever comes first.

✓ indicates standard equipment, ○ indicates optional at no extra cost, - indicates not available. Price indicates optional at the cost shown.

Optional Equipment

			Sport	Sport Executive	AMG Line Executive	AMG Line Premium	AMG Line Premium Plus
Trailer Coupling with ESP Stabilisation	[550]	£950	•	•	•	•	•
Tow Bar			^	^	^	^	^
ESP Trailer Stabilisation			^	^	^	^	^
Solid Paint							
Night black solid	[696U]	Standard	✓	✓	✓	✓	✓
Polar white solid	[149U]	£0	○	○	○	○	○
Aqua-mint solid	[341U]	£0	○	○	○	○	○
Metallic Paint							
Cosmos black	[191U]	£715	•	•	•	•	•
High-tech silver	[922U]	£715	•	•	•	•	•
Sapphire blue	[809U]	£715	•	•	•	•	•
MANUFAKTUR Paint							
Patagonia red	[993U]	£825	•	•	•	•	•
Alpine grey solid	[956U]	£825	•	•	•	•	•
Upholstery							
ARTICO man-made leather/ Sortland fabric black	[301A]	Standard	✓	-	-	-	-
ARTICO man-made leather black	[101A]	Standard	-	✓	-	-	-
ARTICO man-made leather upholstery / MICRO CUT microfibre two-tone black / clean white pearl	[681A]	Standard	-	-	✓	✓	✓
No-cost option upholstery							
ARTICO man-made leather ivory beige / black	[105A]	£0	-	○	-	-	-
ARTICO man-made leather, two-tone black / power red	[151A]	£0	-	-	○	○	○
ARTICO man-made leather upholstery / MICRO CUT microfibre black	[651A]	£0	-	-	○	○	○
Cost option upholstery							
Leather black	[211A]	£1,300	-	-	-	•	•

Technical Data

CO2 & Consumption Values						
Bodystyle	Engine	Fuel Type	Transmission	Model Variant	CO2 Combined (g/km)	Fuel Consumption Combined (mpg)
Saloon	CLA 180	Petrol - Hybrid	8G-TRONIC	Sport	114	56.5
				Sport Executive	115	56.5
				AMG Line Executive	115	55.4
				AMG Line Premium	118	54.3
				AMG Line Premium Plus	119	54.3
	CLA 200	Petrol - Hybrid	8G-TRONIC	Sport	114	56.5
				Sport Executive	114	56.5
				AMG Line Executive	115	55.4
				AMG Line Premium	117	54.3
				AMG Line Premium Plus	118	54.3
	CLA 220 4MATIC	Petrol - Hybrid	8G-TRONIC	Sport	123	52.3
				Sport Executive	123	52.3
				AMG Line Executive	124	51.4
				AMG Line Premium	126	51.4
				AMG Line Premium Plus	127	50.4

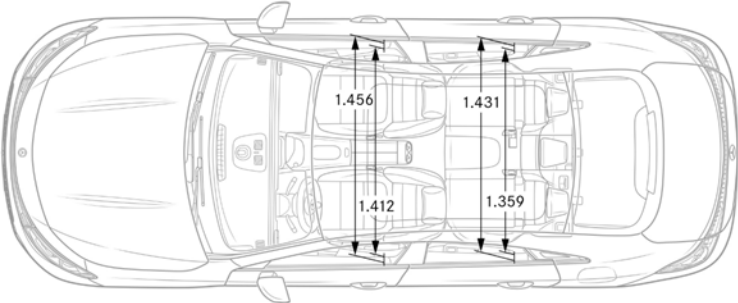
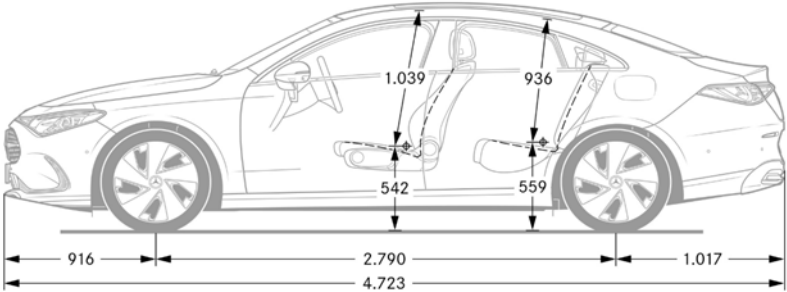
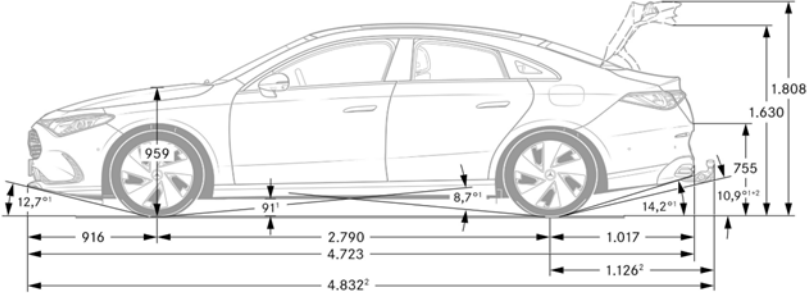
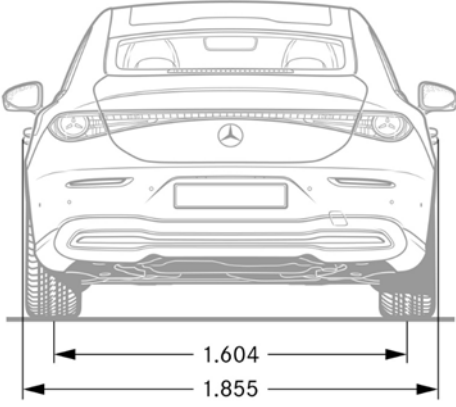
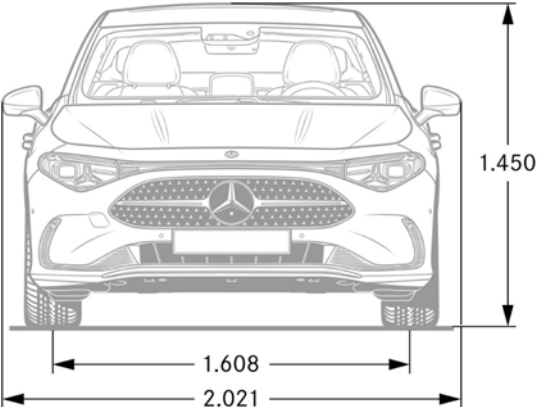
Wheels & Tyres				
Model	Wheel Code	Description	Front	Rear
Sport	R67	18-inch aerodynamic light-alloy wheels in 5-spoke design, painted in high-gloss black with a high-sheen finish	225/45 R18	225/45 R18
Sport Executive	R31	18-inch aerodynamic light-alloy wheels in 5-spoke design, painted high-gloss black with a high-sheen finish	225/45 R18	225/45 R18
AMG Line Executive	RQR	18-inch AMG 5-spoke light-alloy wheels, aerodynamically optimised, painted in high-gloss black with a high-sheen finish	225/45 R18	225/45 R18
AMG Line Premium	RRH	19-inch AMG 5-double-spoke light-alloy wheels, aerodynamically optimised, painted in high-gloss black with a high-sheen finish	225/40 R19	225/40 R19
AMG Line Premium Plus	RVG	19-inch AMG multi-spoke light-alloy wheels painted in high-gloss black and dark platinum gloss, with a high-sheen finish and tinted clearcoat	225/40 R19	225/40 R19

Technical Data

		CLA 180 automatic	CLA 200 automatic	CLA 220 4MATIC automatic
EMISSIONS				
CO2 (g/km)		See CO ₂ /MPG table	See CO ₂ /MPG table	See CO ₂ /MPG table
Emissions standard		Euro 6 EB	Euro 6 EB	Euro 6 EB
POWERTRAIN				
Fuel delivery		Petrol	Petrol	Petrol
Total displacement	cc	1,499	1,499	1,499
Arrangement/cylinder valves		in-line/4/16	in-line/4/17	in-line/4/18
Power - Hybrid drive ¹	hp (kW)	14 (22)	14 (22)	14 (22)
Power - Combustion engine ¹	hp (kW)	136 (100)	163 (120)	190 (140)
Torque ¹	Nm	200	250	300
Acceleration (0-62mph)	secs	8.8	8	7.1
Top speed	mph	135	144	147
WEIGHT & CAPABILITIES				
Kerb weight ²	kg	1,777-1,827	1,814-1,837	1,852-1,912
Permissible gross vehicle weight	kg	2,125	2,135	2,200
Boot capacity	litres	405	405	405
No. of seats		5	5	5
Fuel tank capacity/of which reserve	litres	43/5	43/5	51/5
Towing capacity - unbraked/braked	kg	750/1,600	750/1,800	750/2,000

¹Figures according to Directive 80/1269/EEC in the currently applicable version. ²Mass of the vehicle in running order with at least 90% full fuel tank, plus the mass of the driver (estimated by law at 75kg), fuel and fluids, equipped with the standard equipment as specified by the manufacturer as well as, where applicable, the mass of the body, cab, trailer coupling and spare wheel(s) as well as tools. Optional extras, additional equipment and accessories can influence the weight, residual payload, rolling resistance, aerodynamics, etc., and therefore also affect the consumption/CO₂ values. Further information about the test used to establish range, power consumption and CO₂ figures can be found at www.mercedes-benz.co.uk/WLTP. Specified voltage and current values refer to network infrastructure and can be limited by the vehicle.

Technical Data

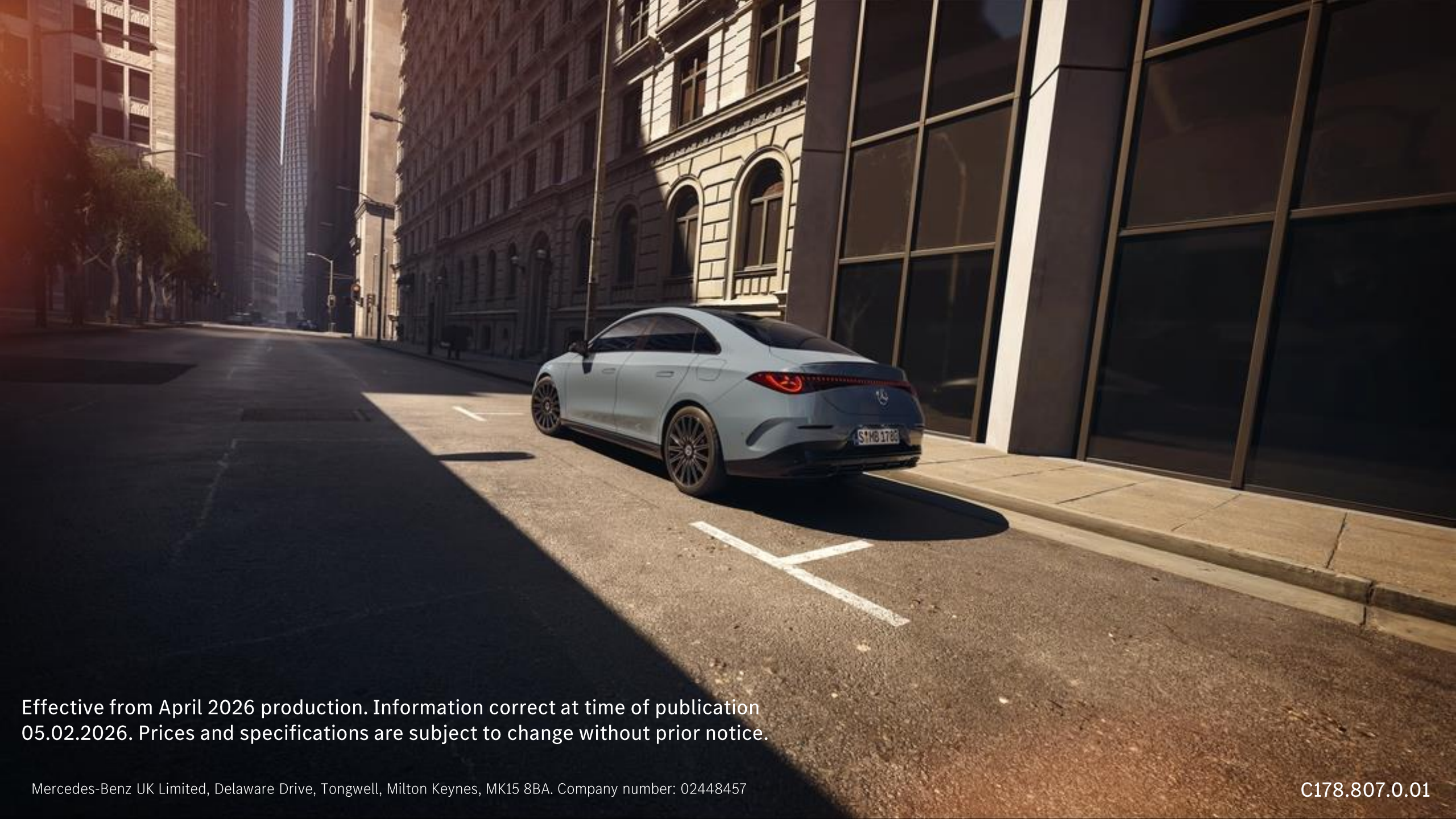


All measurements in millimetres. The dimensions shown are mean values and apply to standard specification, unladen vehicles.

Technical Data

Model Variant	WLTP CO2 Combined (g/km) ¹	WLTP Low (l/100km) ¹	WLTP Medium (l/100km) ¹	WLTP High (l/100km) ¹	WLTP Extra High (l/100km) ¹	WLTP Combined (l/100km) ¹	Kerb Weight (KG) ¹	WLTP Low (mpg) ¹	WLTP Medium (mpg) ¹	WLTP High (mpg) ¹	WLTP Extra High (mpg) ¹	WLTP Combined (mpg) ¹
CLA 180												
CLA 180 Sport	114	7.1	4.8	4.3	5	5	1705	39.8	58.9	65.7	56.5	56.5
CLA 180 Sport Executive	115	7.1	4.8	4.3	5	5	1716	39.8	58.9	65.7	56.5	56.5
CLA 180 AMG Line Executive	115	7.1	4.8	4.3	5.1	5.1	1723	39.8	58.9	65.7	55.4	55.4
CLA 180 AMG Line Premium	118	7.2	4.9	4.4	5.2	5.2	1733	39.2	57.7	64.2	54.3	54.3
CLA 180 AMG Line Premium Plus	119	7.3	4.9	4.5	5.3	5.2	1743	38.7	57.7	62.8	53.3	54.3
CLA 180 Sport Towing Package	116	7.2	4.9	4.4	5.1	5.3	1728	38.7	57.7	64.2	55.4	55.4
CLA 180 Sport Executive Towing Package	116	7.2	4.9	4.4	5.1	5.1	1738	39.2	57.7	64.2	55.4	55.4
CLA 180 AMG Line Executive Towing Package	117	7.2	4.9	4.4	5.1	5.1	1745	39.2	57.7	64.2	55.4	55.4
CLA 180 AMG Line Premium Towing Package	119	7.3	4.9	4.5	5.3	5.3	1756	38.7	57.7	62.8	53.3	54.3
CLA 180 AMG Line Premium Plus Towing Package	120	7.4	5	4.5	5.3	5.3	1765	38.2	56.5	62.8	53.3	53.3
CLA 200												
CLA 200 Sport	114	7.3	4.7	4.3	4.9	5	1715	38.7	60.1	65.7	57.7	56.5
CLA 200 Sport Executive	114	7.3	4.7	4.4	4.9	5	1726	38.7	60.1	64.2	57.7	56.5
CLA 200 AMG Line Executive	115	7.3	4.7	4.4	4.9	5.1	1733	38.7	60.1	64.2	56.5	55.4
CLA 200 AMG Line Premium	117	7.3	4.8	4.5	5.1	5.2	1743	38.7	58.9	62.8	55.4	54.3
CLA 200 AMG Line Premium Plus	118	7.3	4.8	4.5	5.2	5.1	1753	38.7	58.9	62.8	54.3	54.3
CLA 200 Sport Towing Package	115	7.3	4.7	4.4	5.3	5.1	1738	38.7	60.1	64.2	53.3	55.4
CLA 200 Sport Executive Towing Package	115	7.3	4.7	4.4	5	5.1	1748	38.7	60.1	64.2	56.5	55.4
CLA 200 AMG Line Executive Towing Package	116	7.3	4.8	4.4	5.1	5.1	1755	38.7	58.9	64.2	55.4	55.4
CLA 200 AMG Line Premium Towing Package	118	7.3	4.8	4.5	5.2	5.2	1766	38.7	58.9	62.8	54.3	54.3
CLA 200 AMG Line Premium Plus Towing Package	119	7.3	4.9	4.6	5.3	5.3	1775	38.7	57.7	61.4	53.3	53.3
CLA 220 4MATIC												
CLA 220 4MATIC Sport	123	7.5	5.2	4.7	5.4	5.4	1780	37.7	54.3	60.1	52.3	52.3
CLA 220 4MATIC Sport Executive	123	7.6	5.2	4.7	5.4	5.4	1791	37.2	54.3	60.1	52.3	52.3
CLA 220 4MATIC AMG Line Executive	124	7.6	5.2	4.7	5.4	5.5	1798	37.2	54.3	60.1	52.3	51.4
CLA 220 4MATIC AMG Line Premium	126	7.7	5.3	4.8	5.5	5.5	1808	36.7	52.3	58.9	51.4	51.4
CLA 220 4MATIC AMG Line Premium Plus	127	7.8	5.3	4.8	5.6	5.6	1818	36.2	52.3	58.9	50.4	50.4
CLA 220 4MATIC Sport Towing Package	124	7.6	5.3	4.7	5.4	5.5	1803	37.2	53.3	60.1	52.3	51.4
CLA 220 4MATIC Sport Executive Towing Package	124	7.7	5.3	4.7	5.4	5.5	1813	36.7	53.3	60.1	52.3	51.4
CLA 220 4MATIC AMG Line Executive Towing Package	125	7.7	5.3	4.8	5.5	5.5	1820	36.7	53.3	58.9	51.4	51.4
CLA 220 4MATIC AMG Line Premium Towing Package	127	7.8	5.4	4.8	5.6	5.6	1831	36.2	52.3	58.9	50.4	50.4
CLA 220 4MATIC AMG Line Premium Plus Towing Package	128	7.9	5.4	4.8	5.6	5.6	1840	35.8	51.4	58.9	50.4	50.4

¹Figures shown are for compatibility purposes; only compare with other cars tested to the same technical procedures. Figures may not reflect real life driving results, which will depend upon a number of factors including the starting charge of the battery, factory-fitted options, accessories (post registration), variations in weather, driving styles and vehicle load. Further information about the test used to establish range, power consumption and CO2 figures can be found at www.mercedes-benz.co.uk/WLTP.



Effective from April 2026 production. Information correct at time of publication
05.02.2026. Prices and specifications are subject to change without prior notice.