



AMG



# MERCEDES-AMG GT COUPÉ

Effective from June 2025 Production.



Some of the model features, optional extras and colours shown may not be available, or may only be available in a different specification, or at a different price.

Design	Technology	Plug-in Hybrid	Model lines	Driving experience	Model prices	Personalisation	Standard equipment	Technical data	Additional information
--------	------------	----------------	-------------	--------------------	--------------	-----------------	--------------------	----------------	------------------------



Some of the model features, optional extras and colours shown may not be available, or may only be available in a different specification, or at a different price.

<a href="#">Design</a>	<a href="#">Technology</a>	<a href="#">Plug-in Hybrid</a>	<a href="#">Model lines</a>	<a href="#">Driving experience</a>	<a href="#">Model prices</a>	<a href="#">Personalisation</a>	<a href="#">Standard equipment</a>	<a href="#">Technical data</a>	<a href="#">Additional information</a>
------------------------	----------------------------	--------------------------------	-----------------------------	------------------------------------	------------------------------	---------------------------------	------------------------------------	--------------------------------	--



Book a test drive



Find your Mercedes-AMG GT



Find a Showroom



Some of the model features, optional extras and colours shown may not be available, or may only be available in a different specification, or at a different price.

Design	Technology	Plug-in Hybrid	Model lines	Driving experience	Model prices	Personalisation	Standard equipment	Technical data	Additional information
--------	------------	----------------	-------------	--------------------	--------------	-----------------	--------------------	----------------	------------------------

[Book a test drive](#)[Find your Mercedes-AMG GT](#)[Find a Showroom](#)

Some of the model features, optional extras and colours shown may not be available, or may only be available in a different specification, or at a different price.

<a href="#">Design</a>	<a href="#">Technology</a>	<a href="#">Plug-in Hybrid</a>	<a href="#">Model lines</a>	<a href="#">Driving experience</a>	<a href="#">Model prices</a>	<a href="#">Personalisation</a>	<a href="#">Standard equipment</a>	<a href="#">Technical data</a>	<a href="#">Additional information</a>
------------------------	----------------------------	--------------------------------	-----------------------------	------------------------------------	------------------------------	---------------------------------	------------------------------------	--------------------------------	--



Some of the model features, optional extras and colours shown may not be available, or may only be available in a different specification, or at a different price.

Design	Technology	Plug-in Hybrid	Model lines	Driving experience	Model prices	Personalisation	Standard equipment	Technical data	Additional information
--------	------------	----------------	-------------	--------------------	--------------	-----------------	--------------------	----------------	------------------------



Book a test drive



Find your Mercedes-AMG GT



Find a Showroom



Some of the model features, optional extras and colours shown may not be available, or may only be available in a different specification, or at a different price.

Design	Technology	Plug-in Hybrid	Model lines	Driving experience	Model prices	Personalisation	Standard equipment	Technical data	Additional information
--------	------------	----------------	-------------	--------------------	--------------	-----------------	--------------------	----------------	------------------------



Some of the model features, optional extras and colours shown may not be available, or may only be available in a different specification, or at a different price.

Design	Technology	Plug-in Hybrid	Model lines	Driving experience	Model prices	Personalisation	Standard equipment	Technical data	Additional information
--------	------------	----------------	-------------	--------------------	--------------	-----------------	--------------------	----------------	------------------------





Some of the model features, optional extras and colours shown may not be available, or may only be available in a different specification, or at a different price.

Design	Technology	Plug-in Hybrid	Model lines	Driving experience	Model prices	Personalisation	Standard equipment	Technical data	Additional information
--------	------------	----------------	-------------	--------------------	--------------	-----------------	--------------------	----------------	------------------------



Some of the model features, optional extras and colours shown may not be available, or may only be available in a different specification, or at a different price.

<a href="#">Design</a>	<a href="#">Technology</a>	<a href="#">Plug-in Hybrid</a>	<a href="#">Model lines</a>	<a href="#">Driving experience</a>	<a href="#">Model prices</a>	<a href="#">Personalisation</a>	<a href="#">Standard equipment</a>	<a href="#">Technical data</a>	<a href="#">Additional information</a>
------------------------	----------------------------	--------------------------------	-----------------------------	------------------------------------	------------------------------	---------------------------------	------------------------------------	--------------------------------	--



Mercedes-AMG GT

# TECHNOLOGY

<a href="#">Design</a>	<a href="#">Technology</a>	<a href="#">Plug-in Hybrid</a>	<a href="#">Model lines</a>	<a href="#">Driving experience</a>	<a href="#">Model prices</a>	<a href="#">Personalisation</a>	<a href="#">Standard equipment</a>	<a href="#">Technical data</a>	<a href="#">Additional information</a>
------------------------	----------------------------	--------------------------------	-----------------------------	------------------------------------	------------------------------	---------------------------------	------------------------------------	--------------------------------	--

# MERCEDES-BENZ USER EXPERIENCE (MBUX)

Transforming the in-car user experience, thanks to MBUX: Controlled via voice or touch input, the innovative infotainment system can over time even predict personal habits thanks to artificial intelligence.

## Voice control

- Activated by the keywords “Hey Mercedes”, the new intelligent voice control LINGUATRONIC<sup>1</sup> lets you control many of the infotainment functions, including destination input, phone calls or music selection
- MBUX is able to understand different accents and will adjust to you over time
- MBUX even understands indirect commands. Feeling chilly? Just say “I feel cold” and MBUX will adjust the temperature for you

## Touch inputs

- Beside voice control you can operate MBUX via touchscreen, the touchpad on the centre console, as well as touch control buttons on the steering wheel
- The touchpad recognises your handwriting should you wish to enter addresses or phone numbers silently

## Personalisation

- Turn the Mercedes-AMG GT into your very own Mercedes-AMG by personalising driving modes, radio stations and much more
- Your personal settings can be saved in up to seven different profiles, making your driving experience the best one possible
- Thanks to artificial intelligence, MBUX is able to learn and adapt over time. It will be able to predict your personal habits, such as navigation for frequently-driven routes, or the radio station you like to listen to on your way home from work

## Maintenance and service

- Wondering when the next service is due? Or how much further you can drive until you need to stop at a petrol station? Just ask your MBUX – it will tell you the answer



The connection of the communication module to the mobile phone network including the emergency call system depends on the respective network coverage and availability of network providers

<sup>1</sup>LINGUATRONIC off-board functions are currently only available for three years

Design	Technology	Plug-in Hybrid	Model lines	Driving experience	Model prices	Personalisation	Standard equipment	Technical data	Additional information
--------	------------	----------------	-------------	--------------------	--------------	-----------------	--------------------	----------------	------------------------

# DIGITAL EXTRAS

Stay connected any time, anywhere.

Digital Extras are a range of innovative online services designed to enhance your Mercedes-Benz experience. Accessible via mobile, tablet or PC, Digital Extras let you enjoy the highest standards of care and support, in a way that integrates seamlessly with your busy lifestyle.



### Safety and Service - Digital Extras helps to keep you and your car safe

Check your car's oil level, tyre pressure and fuel from your phone so you'll be ready for every journey.

### Infotainment - Online and Entertainment services

Love music? Get a 3-month free subscription to Tidal when you connect your car.

### Comfort - connect to your car anytime, anywhere

Forgot to lock your car? With Remote Car Lock<sup>1</sup> you will receive a notification on your smartphone to let you know. With one tap, you can lock and unlock your vehicle so you never have to worry.

### Live Traffic Information, Parked Vehicle Locator and much more

Forgot where you've parked? Parked Vehicle Locator<sup>1</sup> will show you exactly where your car is as long as you're in a 1-mile radius of where you parked. Real-time traffic data and dynamic route with shorter journey times.

For more information speak to your local Mercedes-Benz Agent or visit the Mercedes-Benz store at [shop.mercedes-benz.com/en-gb/connect](http://shop.mercedes-benz.com/en-gb/connect)

The connection of the communication module to the mobile phone network including the emergency call system depends on the respective network coverage and availability of network providers

# DIGITAL LIGHT

High-definition headlamps with innovative features

The new innovative DIGITAL LIGHT headlamps works like a projector with more than one million pixels per headlamp and responds with brilliant light to changing traffic, road or weather conditions. Its ULTRA RANGE Highbeam with 650 m makes you feel like driving at daylight.



Some of the model features, optional extras and colours shown may not be available, or may only be available in a different specification, or at a different price.



Mercedes-AMG GT

# PLUG-IN HYBRID

[Book a test drive](#)[Find your Mercedes-AMG GT](#)[Find a Showroom](#)

# PLUG-IN HYBRID ELECTRIC VEHICLE (PHEV) The Mercedes-AMG GT 63 S E PERFORMANCE.

The new Mercedes-AMG GT 63 S E PERFORMANCE Coupé combines the best of two worlds: outstanding AMG power meets innovative, highly efficient hybrid technology.

**Mercedes-AMG GT 63 S E PERFORMANCE**  
Petrol – 3,982 cc, 8-cylinder, 612 hp/450 kW  
Electric motor – 204 hp/150 kW

**Available as:**  
Premium Plus

**OTR from £186,290<sup>1</sup>**

## Standard equipment

- 150 kW electric motor for combined system output of 816 hp
- Battery with a capacity of 4.84 kWh and high-performance cooling that tolerates high charging and discharging currents
- Charging cable – Mode 2 cable (5 metres, straight) for domestic socket
- Charging cable – Mode 3 cable (8 metres, straight) for wallbox and public charging station
- Charging socket
- Charging system rated at 3.7 kW AC
- Pre-entry climate control<sup>2</sup>
- Radar-based recuperation
- Remote and Charging Services Premium<sup>2</sup>



## Technical details

Equivalent All-Electric Range (EAER) <sup>3</sup>	7 miles
Charging time	
Wallbox (3.7 kW AC, 3-phase) 25-100% <sup>4</sup>	3 hrs 40 mins
Energy consumption, combined <sup>3,5</sup>	372 Wh/km
Battery type (usable)	lithium-ion (4.84 kWh)
Capacity on-board charger	3.7 kW AC

<sup>1</sup>The recommended on-the-road price includes the Road Fund Licence applicable to the standard model plus delivery charge (£730.00 incl. VAT), new vehicle registration fee (£55.00), fuel (£50.00 incl. VAT), and number plates (£25.00 incl. VAT). VAT is calculated at the standard rate of 20%. Some of the model features, optional extras and colours shown may not be available, or may only be available in a different specification, or at a different price. <sup>2</sup>The connection of the communication module to the mobile phone network including the emergency call system depends on the respective network coverage and availability of network providers. <sup>3</sup>The indicated values were determined according to the prescribed measurement method - Worldwide Harmonised Light Vehicle Test Procedure (WLTP). Figures shown may include options which are not available in the UK. For Plug-in Hybrid Electric Vehicle (PHEV) figures determined with the battery fully charged, using a combination of both battery power and fuel. These models require mains electricity for charging. <sup>4</sup>Specified voltage and current values refer to network infrastructure and can be limited by the vehicle. Times are from 25-100% charge using a wallbox (three-phase) or standard socket (single-phase). <sup>5</sup>The certified electrical consumption is generally determined at maximum AC charging capacity using a Mode 3 cable. It is therefore recommended that vehicles with a HV battery preferably be charged at a wallbox or an AC charging station with a Mode 3 cable in order to achieve shorter charging times and improved charging efficiency.

Design	Technology	Plug-in Hybrid	Model lines	Driving experience	Model prices	Personalisation	Standard equipment	Technical data	Additional information
--------	------------	----------------	-------------	--------------------	--------------	-----------------	--------------------	----------------	------------------------



# MB.CHARGE PUBLIC<sup>1</sup> One registration, one contract, one billing.

MB.CHARGE Public<sup>1</sup> provides access to a multitude of public charging stations located in shopping centres, hotels or at motorway services. A smartphone app as well as the vehicle's navigation system show the precise location, current availability and price at the selected charging station.



## Tens of thousands charging stations in the UK

Growing network of charging providers includes by pulse the largest charging network in the UK.

## Access to fast-charging stations

Enables customers to get access to charging stations of different providers with:

- Mercedes-Benz app
- RFID card
- Vehicle Head unit

## Green charging

All charging using MB.CHARGE Public<sup>1</sup>, will be retrospectively 'greened' by Mercedes-Benz. Please click **here** for more info.

## Transparent and easy billing

One invoice charging processes for payment.

## Easy access

Charging stations are displayed in Mercedes-Benz app and in MBUX multimedia system.

## No fees

MB.CHARGE Public<sup>1</sup> is standard for one year with discounted IONITY rapid-charging for one year.



<sup>1</sup>The connection of the communication module to the mobile phone network including the emergency call system depends on the respective network coverage and availability of network providers. Price information is not guaranteed and is subject to change. Please be aware that this tariff will automatically renew after the 1 year promotion period - for definitive pricing information or should you not wish to continue with the tariff, your cancellation rights and current pricing can be found <https://eu.charge.mercedes-benz.com/web/en/mb-gb/tariffs>



# MB.CHARGE PUBLIC<sup>1</sup> Tariffs

For more transparency and predictability, enjoy numerous features tailored to your charging habits with the MB.CHARGE Public<sup>1</sup> fixed-priced tariffs S, M and L. Owners of a new Plug-in Hybrid model will be entitled to the MB.CHARGE Public<sup>1</sup> tariff M free of charge for the duration of 12 months.



## Tariff L

Recommended for 'frequent drivers'

Choose our tariff L to benefit from the best fixed prices for public charging, including discounted rapid-charging at IONITY charging stations as well as all MB.CHARGE Public<sup>1</sup> features. This tariff is recommended for frequent and long-distance drivers.

Consisting of:

- All MB.CHARGE Public<sup>1</sup> features
- Fixed prices per kWh (AC: £0.45/kWh, after 300 mins + £0.06/min; DC: £0.62/kWh)<sup>2</sup>
- IONITY rapid-charging stations discounted (£0.53/kWh)

£10.90/month

## Tariff M

Recommended for 'regular drivers'

Owners of a new Plug-in Hybrid model are entitled to the tariff M free of charge for 12 months, benefitting from fixed prices, discounted rapid-charging at IONITY charging stations and complete transparency. This tariff is recommended for regular drivers.

Consisting of:

- All MB.CHARGE Public<sup>1</sup> features
- Fixed prices per kWh (AC: £0.52/kWh, after 300 mins + £0.06/min; DC: £0.69/kWh)<sup>2</sup>
- IONITY rapid-charging stations discounted (£0.60/kWh)

Free of charge for the duration of 12 months.

Thereafter:

£4.90/month

## Tariff S

Recommended for 'casual drivers'

Should you wish to downgrade your tariff package after 12 months, there is the option to go for tariff S, which still offers you all the MB.CHARGE Public<sup>1</sup> features based on flexible prices per kWh. This tariff is recommended for casual drivers.

Consisting of:

- All MB.CHARGE Public<sup>1</sup> features
- Flexible prices per kWh

£0/month

<sup>1</sup>The connection of the communication module to the mobile phone network including the emergency call system depends on the respective network coverage and availability of network providers

<sup>2</sup>Tariff rate excludes the BP Pulse charging network

Price information is not guaranteed and is subject to change. Please be aware that this tariff will automatically renew after the 1 year promotion period – for definitive pricing information or should you not wish to continue with the tariff, your cancellation rights and current pricing can be found <https://eu.charge.mercedes-benz.com/web/en/mb-gb/tariffs>

# NEXT GENERATION OF HOME EV CHARGING WITH OHME



Mercedes-Benz plug-in vehicle customers with off-street parking can benefit from the convenience and speed of charging at home by installing an Ohme charger.

## Home charging with Ohme: from £925\* incl. VAT and standard installation

### Key benefits of Ohme:

Ohme specialise in providing future-proof electric vehicle charging solutions, in particular smart, affordable and easy-to-use charging products.

Save money: If you have a time-of-use tariff or a variable tariff, you'll pay less for your electricity at certain times of the day. Ohme uses your tariff information to charge your vehicle when the price is low to maximise your savings.

Ohme is the only EV charging provider to integrate with all energy tariffs, including Intelligent Octopus and OVO Charge Anytime – the next generation, smart EV charging tariffs.

Easy installation process.

Choice of tethered or untethered units.

Award-winning customer service – check Trustpilot for more information.

A 3-year warranty is included.

Connect your charger to the Ohme smartphone app to unlock smarter and cheaper charging at home. Easy-to-use, the Ohme app will give you full control to get more from your EV.

Ohme's chargers are compliant with the UK New Smart Charger Regulations for complete peace of mind.

### OZEV Grant:

You may be entitled to claim for an OZEV grant towards the cost of your home charger.<sup>1</sup> To find out whether you are entitled please contact your local Mercedes-Benz Agent.

### Questions?

Please contact your local Mercedes-Benz Agent to submit an enquiry to your chosen charging partner on your behalf. To find your local Mercedes-Benz Agent, please click the button at the top right hand corner.

### Warning!

If you are planning to charge your Mercedes-Benz plug-in electric vehicle using a 3-pin domestic plug socket you must get a qualified electrician to inspect and sign off the socket to confirm it is safe and suitable to charge your vehicle. Do not use an electric vehicle 3-pin charge cable with an extension cord.



\*Price excludes £350 OZEV EVHS Grant. Price correct at time of publication, subject to change

<sup>1</sup>The home charger £350 Grant (including VAT) is only available to customers who meet the criteria of the Office for Zero Emission Vehicles (OZEV). For full details and eligibility criteria for the OZEV EVHS Grant, see <https://www.gov.uk/government/publications/electric-vehicle-homecharge-scheme-guidance-for-customers-version-21>.

Design	Technology	Plug-in Hybrid	Model lines	Driving experience	Model prices	Personalisation	Standard equipment	Technical data	Additional information
--------	------------	----------------	-------------	--------------------	--------------	-----------------	--------------------	----------------	------------------------



# HOME CHARGING WITH POD POINT Simple, convenient, fast charging.

Mercedes-Benz plug-in vehicle customers with off-street parking can benefit from the convenience and speed of charging at home by installing a Pod Point home charger.

## Home charging with Pod Point: from £925\* incl. VAT and standard installation

For full terms and conditions please visit <https://pod-point.com/legal/home-charger-terms-of-sale>

### Key benefits of Pod Point:

Pod Point is one of the leading provider of EV charging in the UK with over 250,000 home chargepoints installed.

Auto Power Balancing lets you adjust your charge so that your electrical supply doesn't get overloaded when your home is using a lot of energy.

Built-in earthing protection removes the needs for expensive earth rods.

Choice of tethered or untethered units; £925 for a 7 kW universal, and £975 for 7 kW tethered.

The Pod Point public network consists of over 9,200 charging bays across the UK.

5 year warranty as standard, free of charge.

The standard installation package includes up to 15 m of external cabling.

Utilise charge scheduling in conjunction with an off-peak EV tariff to reduce your charging costs by up to 70% compared with the current Energy Price Cap.<sup>1</sup>

### OZEV Grant:

You may be entitled to claim for an OZEV grant towards the cost of your home charger.<sup>2</sup> To find out whether you are entitled please contact your local Mercedes-Benz Agent.

### Questions?

Please contact your local Mercedes-Benz Agent to submit an enquiry to your chosen charging partner on your behalf. To find your local Mercedes-Benz Agent, please click the button at the top right hand corner.

### Warning!

If you are planning to charge your Mercedes-Benz plug-in electric vehicle using a 3-pin domestic plug socket you must get a qualified electrician to inspect and sign off the socket to confirm it is safe and suitable to charge your vehicle. Do not use an electric vehicle 3-pin charge cable with an extension cord.



<sup>1</sup>Price excludes £350 OZEV EVHS Grant. Price correct at time of publication, subject to change <sup>2</sup>Based on an off-peak tariff of 8 p/kWh compared with the energy price cap until 31 March 2025 of 24.86 p/kWh <sup>3</sup>The home charger £350 Grant (including VAT) is only available to customers who meet the criteria of the Office for Zero Emission Vehicles (OZEV). For full details and eligibility criteria for the OZEV EVHS Grant, see <https://www.gov.uk/government/publications/electric-vehicle-homecharge-scheme-guidance-for-customers-version-21>.

Design	Technology	Plug-in Hybrid	Model lines	Driving experience	Model prices	Personalisation	Standard equipment	Technical data	Additional information
--------	------------	----------------	-------------	--------------------	--------------	-----------------	--------------------	----------------	------------------------

# AMG HIGH-PERFORMANCE BATTERY Lightweight, durable and compact



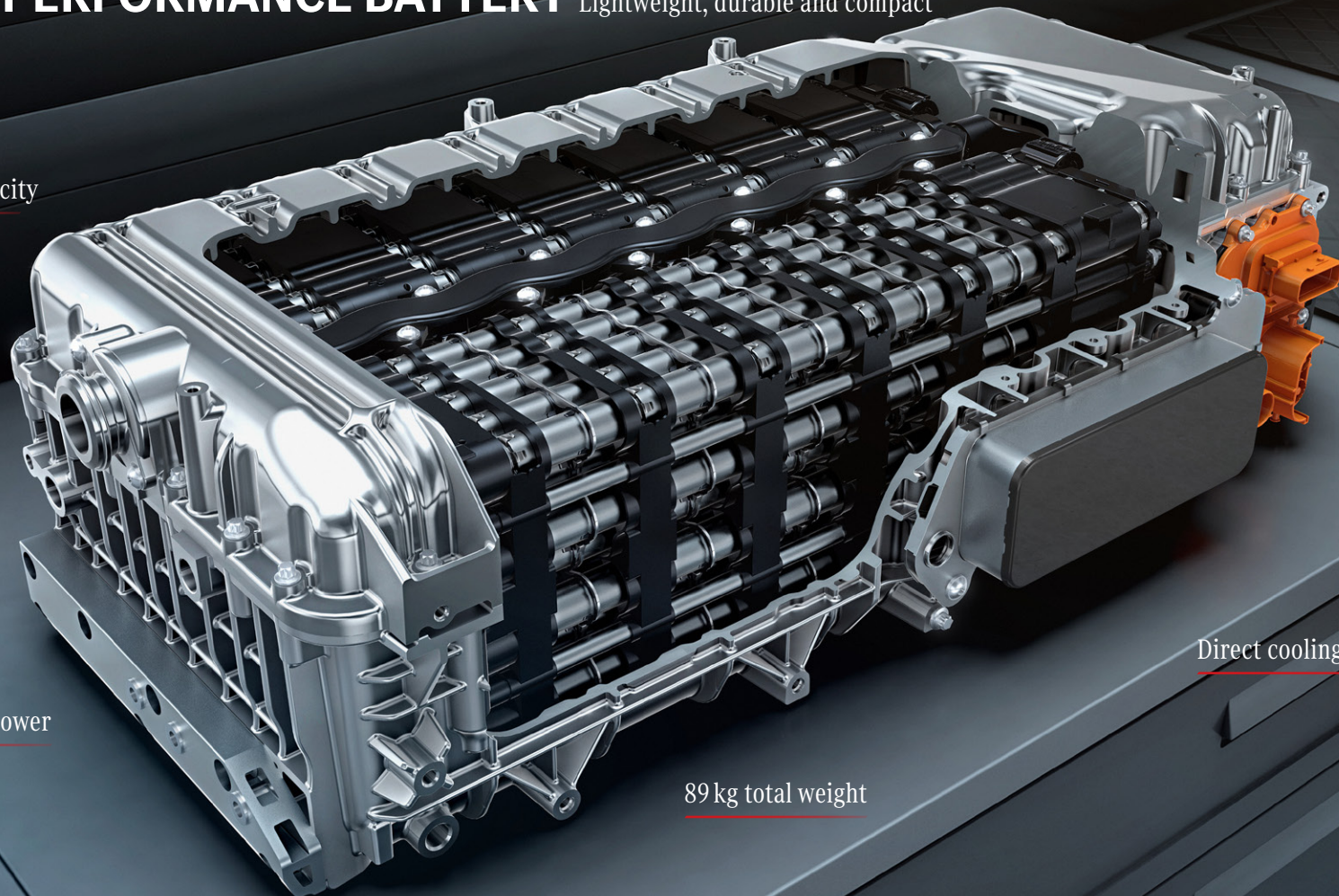
4.84 kWh capacity

150 kW peak power

70 kW continuous power

Direct cooling of battery cells

89 kg total weight



<a href="#">Design</a>	<a href="#">Technology</a>	<a href="#">Plug-in Hybrid</a>	<a href="#">Model lines</a>	<a href="#">Driving experience</a>	<a href="#">Model prices</a>	<a href="#">Personalisation</a>	<a href="#">Standard equipment</a>	<a href="#">Technical data</a>	<a href="#">Additional information</a>
------------------------	----------------------------	--------------------------------	-----------------------------	------------------------------------	------------------------------	---------------------------------	------------------------------------	--------------------------------	--

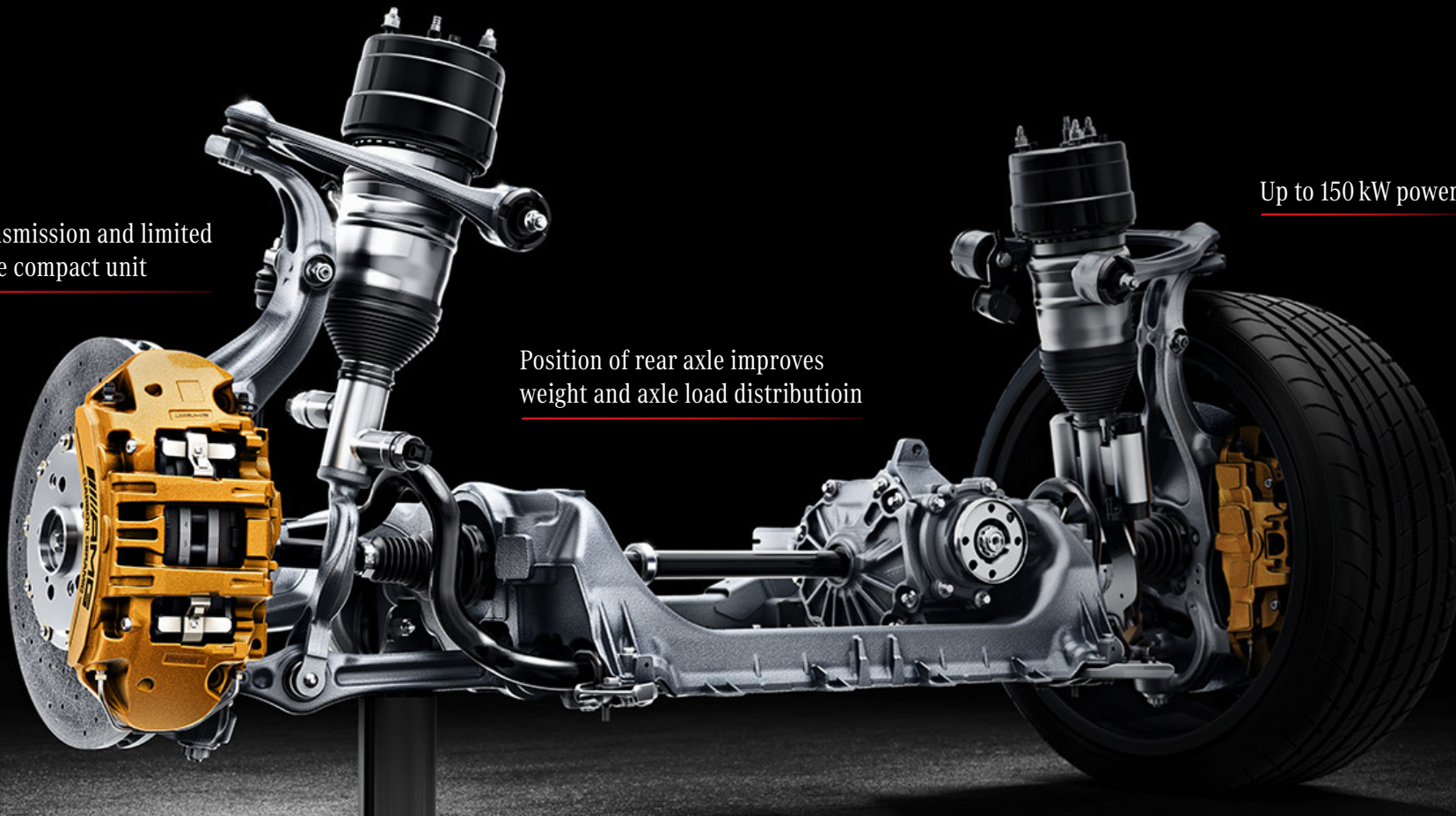
# PERFORMANCE HYBRID Compact intergrated unit on the rear axle



E-motor, 2-speed transmission and limited slip differential in one compact unit

Position of rear axle improves weight and axle load distribution

Up to 150 kW power



Design	Technology	Plug-in Hybrid	Model lines	Driving experience	Model prices	Personalisation	Standard equipment	Technical data	Additional information
--------	------------	----------------	-------------	--------------------	--------------	-----------------	--------------------	----------------	------------------------

# PERFORMANCE HYBRID

Benefits of the P3 layout



Optimised weight and axle load distribution  
for top traction and ideal handling

Optimum efficiency  
with recuperation

High efficiency of  
the overall drive



2-speed transmission for very agile  
driving experience and increased comfort

The electric motor acts directly on the  
rear axle and can convert its power more  
directly into propulsion

# PERFORMANCE HYBRID

Outstanding performance for dynamic optimisation



Electric drive unit with electric motor,  
2-speed transmission and rear axle  
limited slip differential

Belt driven  
starter alternator

AMG High-Performance  
Battery 150 kW of output

M177 AMG 4.0-litre V8  
BITURBO engine with over  
450 kW system output

AMG SPEEDSHIFT  
MCT transmission



# MERCEDES-AMG GT COUPÉ Model lines overview



Mercedes-AMG GT 43 Premium »



Mercedes-AMG GT 43 Premium Plus »



Mercedes-AMG GT 55 4MATIC+ Premium Plus »

Mercedes-AMG GT 63 4MATIC+ Premium Plus »



Mercedes-AMG GT 63 S E PERFORMANCE Premium Plus »



Mercedes-AMG GT 63 PRO 4MATIC+ »

# MERCEDES-AMG GT 43 PREMIUM Standard equipment highlights



Option shown: MANUFAKTUR opalite white bright (code 885)



Option shown: MANUFAKTUR opalite white bright (code 885)

## Engine, Transmission and Suspension

AMG RIDE CONTROL suspension

AMG Track Pace

AMG SPEEDSHIFT MCT 9-speed sport automatic transmission

## Exterior

21" AMG wheels – 5-twin-spoke design, aerodynamically optimised, painted tantalite grey with a high-sheen finish (code RWI)

AMG Night package

AMG brake callipers painted silver

DIGITAL LIGHT

KEYLESS-GO with seamless door handles

MAGIC VISION CONTROL

Mirror package

Panoramic fixed glass roof

Summer tyres



**OTR from £105,435<sup>1</sup>**

<sup>1</sup>The recommended on-the-road price includes the Road Fund Licence applicable to the standard model plus delivery charge (£730.00 incl. VAT), new vehicle registration fee (£55.00), fuel (£50.00 incl. VAT), and number plates (£25.00 incl. VAT). VAT is calculated at the standard rate of 20%. Some of the model features, optional extras and colours shown may not be available, or may only be available in a different specification, or at a different price



Memory package



Seats - rear seats with folding backrests

### Safety and Assistance Systems

- 360° camera
- Active Lane Keeping Assist<sup>2</sup>
- Blind Spot Assist
- Dashcam
- Parking package – Active Parking Assist<sup>2</sup>

### Communications and In-Car Entertainment

- Burmester® surround sound system
- MBUX Navigation Premium<sup>3</sup>
- Remote Services Premium<sup>3</sup>
- Smartphone integration<sup>4</sup>
- USB package Plus



AMG illuminated door sills with 'AMG' lettering

### Interior

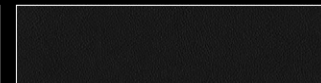
- Ambient lighting in 64 colours
- AMG illuminated door sills with 'AMG' lettering and exchangeable cover
- AMG Performance steering wheel in nappa leather

- Load Compartment package
- Memory package
- Seats – 4-way lumbar support
- Seats – heated (front)

- Seats – rear seats with folding backrests<sup>1</sup>
- Steering wheel – heated
- THERMOTRONIC automatic climate control

### Trim and Upholstery

- Black piano-lacquer-look trim
- Nappa leather – black



<sup>1</sup>For passengers up to 1.5 m tall    <sup>2</sup>Our driver assistance and safety systems are aids and do not relieve you of your responsibility as the driver. Please take note of the information in the Owner's Manual and the system limits which are described therein    <sup>3</sup>The connection of the communication module to the mobile phone network including the emergency call system depends on the respective network coverage and availability of network providers    <sup>4</sup>Compatible mobile phone required

# MERCEDES-AMG GT 43 PREMIUM PLUS

Standard equipment highlights



In addition to/replacement of Mercedes-AMG GT 43 Premium:

#### Exterior

21" AMG forged wheels – 5-twin-spoke design, painted matt black with a high-sheen rim flange (code RWK)

AMG Night package II

Summer tyres



OTR from **111,535<sup>1</sup>**

<sup>1</sup>The recommended on-the-road price includes the Road Fund Licence applicable to the standard model plus delivery charge (£730.00 incl. VAT), new vehicle registration fee (£55.00), fuel (£50.00 incl. VAT), and number plates (£25.00 incl. VAT). VAT is calculated at the standard rate of 20%. Some of the model features, optional extras and colours shown may not be available, or may only be available in a different specification, or at a different price



**Interior**

ENERGIZING package Plus

Seats - climatized (front)

Seats - multicontour with massage function (front)

**Communications and In-Car Entertainment**

Head-up display

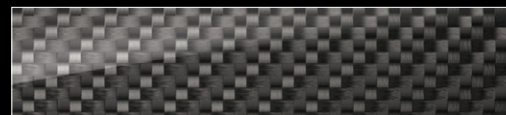
MBUX augmented reality for navigation



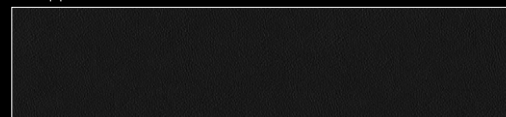
Head-up display

**Trim and Upholstery**

AMG carbon fibre



Nappa leather - black



# MERCEDES-AMG GT 55 4MATIC+ PREMIUM PLUS Standard equipment highlights



### Exterior

21" AMG forged wheels – 5-twin-spoke design, aerodynamically optimised, painted matt black with a high-sheen rim flange (code RWK)

AMG brake callipers painted yellow

AMG Night package

AMG Night package II

DIGITAL LIGHT

KEYLESS-GO with seamless door handles

MAGIC VISION CONTROL

Mirror package

Panoramic fixed glass roof

Rear axle steering

Summer tyres

### Engine, Transmission and Suspension

AMG ACTIVE RIDE CONTROL suspension

AMG DYNAMIC PLUS package

AMG Track Pace



**OTR from £148,300<sup>1</sup>**

<sup>1</sup>The recommended on-the-road price includes the Road Fund Licence applicable to the standard model plus delivery charge (£730.00 incl. VAT), new vehicle registration fee (£55.00), fuel (£50.00 incl. VAT), and number plates (£25.00 incl. VAT). VAT is calculated at the standard rate of 20%. Some of the model features, optional extras and colours shown may not be available, or may only be available in a different specification, or at a different price



AMG Performance steering wheel in nappa leather



Smartphone integration<sup>4</sup>



Seats - rear seats with folding backrests

### Safety and Assistance Systems

- 360° camera
- Active Lane Keeping Assist
- Blind Spot Assist
- Parking package – Active Parking Assist<sup>2</sup>

### Communications and In-Car Entertainment

- Burmester® surround sound system
- Head-up display
- MBUX Navigation Premium<sup>3</sup>
- Remote Services Premium<sup>3</sup>
- Smartphone integration<sup>4</sup>
- USB package Plus



Burmester® surround sound system

### Interior

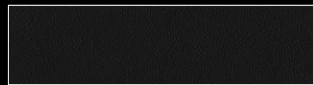
- Ambient lighting in 64 colours
- AMG illuminated door sills with 'AMG' lettering and exchangeable cover
- AMG Performance steering wheel in nappa leather
- Load Compartment package

- Memory package
- Seats – climatized (front)
- Seats – multicontour with massage function (front)

- Seats – rear seats with folding backrests<sup>1</sup>
- Steering wheel – heated
- THERMOTRONIC automatic climate control

### Trim and Upholstery

- AMG carbon fibre
- Nappa leather – black



<sup>1</sup>For passengers up to 1.5 m tall <sup>2</sup>Our driver assistance and safety systems are aids and do not relieve you of your responsibility as the driver. Please take note of the information in the Owner's Manual and the system limits which are described therein <sup>3</sup>The connection of the communication module to the mobile phone network including the emergency call system depends on the respective network coverage and availability of network providers <sup>4</sup>Compatible mobile phone required

# MERCEDES-AMG GT 63 4MATIC+ PREMIUM PLUS Standard equipment highlights



### Exterior

21" AMG forged wheels – 5-twin-spoke design, aerodynamically optimised, painted matt black with a high-sheen rim flange (code RWK)

AMG brake callipers painted yellow

AMG high-performance compound brake system

AMG Night package

AMG Night package II

DIGITAL LIGHT

KEYLESS-GO with seamless door handles

MAGIC VISION CONTROL

Mirror package

Panoramic fixed glass roof

Rear axle steering

Summer tyres

### Engine, Transmission and Suspension

AMG ACTIVE RIDE CONTROL suspension

AMG DYNAMIC PLUS package

AMG Track Pace



**OTR from £169,600<sup>1</sup>**

<sup>1</sup>The recommended on-the-road price includes the Road Fund Licence applicable to the standard model plus delivery charge (£730.00 incl. VAT), new vehicle registration fee (£55.00), fuel (£50.00 incl. VAT), and number plates (£25.00 incl. VAT). VAT is calculated at the standard rate of 20%. Some of the model features, optional extras and colours shown may not be available, or may only be available in a different specification, or at a different price





Ambient lighting in 64 colours



USB package Plus



Seats - rear seats with folding backrests

**Safety and Assistance Systems**

- 360° camera
- Active Lane Keeping Assist
- Blind Spot Assist
- Parking package – Active Parking Assist<sup>2</sup>

**Communications and In-Car Entertainment**

- Burmester® surround sound system
- Head-up display
- MBUX Navigation Premium<sup>3</sup>
- Remote Services Premium<sup>3</sup>
- Smartphone integration<sup>4</sup>
- USB package Plus



AMG illuminated door sills with 'AMG' lettering

**Interior**

- Ambient lighting in 64 colours
- AMG illuminated door sills with 'AMG' lettering and exchangeable cover
- AMG Performance steering wheel in nappa leather/ MICROCUT microfibre

- ENERGIZING package Plus
- Load Compartment package
- Memory package
- Seats – climatized (front)

- Seats – multicontour with massage function (front)
- Seats – rear seats with folding backrests<sup>1</sup>
- Steering wheel – heated
- THERMOTRONIC automatic climate control

**Trim and Upholstery**

- AMG carbon fibre
- Nappa leather – black



<sup>1</sup>For passengers up to 1.5 m tall    <sup>2</sup>Our driver assistance and safety systems are aids and do not relieve you of your responsibility as the driver. Please take note of the information in the Owner's Manual and the system limits which are described therein    <sup>3</sup>The connection of the communication module to the mobile phone network including the emergency call system depends on the respective network coverage and availability of network providers    <sup>4</sup>Compatible mobile phone required

<sup>3</sup>The connection of the communication module to the mobile phone network including the emergency

Design	Technology	Plug-in Hybrid	Model lines	Driving experience	Model prices	Personalisation	Standard equipment	Technical data	Additional information
--------	------------	----------------	-------------	--------------------	--------------	-----------------	--------------------	----------------	------------------------

# MERCEDES-AMG GT 63 S E PERFORMANCE PREMIUM PLUS Standard equipment highlights



In addition to/replacement of Mercedes-AMG GT 63 4MATIC+ Premium Plus:

**Engine, Transmission and Suspension**

150 kW electric motor for all-electric driving for up to 8 miles

Battery with a capacity of 6.1 kWh and high-performance cooling that tolerates high charging and discharging currents

Charging cable – Mode 2 cable (5 metres, straight) for domestic socket

Charging cable – Mode 3 cable (8 metres, straight) for wallbox and public charging station

**Exterior**

21" AMG forged wheels – 5-twin-spoke design, aerodynamically optimised, painted matt black with a high-sheen rim flange (code RWK)

AMG high-performance ceramic composite braking system, including bronze-painted brake callipers with 'AMG Carbon Ceramic' lettering

Summer tyres



OTR from **£186,290<sup>1</sup>**

<sup>1</sup>The recommended on-the-road price includes the Road Fund Licence applicable to the standard model plus delivery charge (£730.00 incl. VAT), new vehicle registration fee (£55.00), fuel (£50.00 incl. VAT), and number plates (£25.00 incl. VAT). VAT is calculated at the standard rate of 20%. Some of the model features, optional extras and colours shown may not be available, or may only be available in a different specification, or at a different price

Design	Technology	Plug-in Hybrid	Model lines	Driving experience	Model prices	Personalisation	Standard equipment	Technical data	Additional information
--------	------------	----------------	-------------	--------------------	--------------	-----------------	--------------------	----------------	------------------------



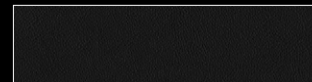
No-cost option shown: nappa leather in red pepper/black (code 807A)

#### Trim and Upholstery

AMG carbon fibre



Nappa leather - black



# MERCEDES-AMG GT 63 PRO 4MATIC+ Standard equipment highlights



Option shown: MANUFAKTUR alpine grey solid (code 956)



Option shown: MANUFAKTUR alpine grey solid (code 956)

In addition to/replacement of Mercedes-AMG GT 63 Premium Plus:

**Engine, Transmission and Suspension**

AMG electronic rear-axle limited-slip differential

**Exterior**

21" AMG forged wheels – cross-spoke design, painted himalaya grey matt (code RWJ)

AMG Exterior Carbon package

Ceramic brake callipers painted in black

Summer tyres



OTR from **£179,350<sup>1</sup>**

<sup>1</sup>The recommended on-the-road price includes the Road Fund Licence applicable to the standard model plus delivery charge (£730.00 incl. VAT), new vehicle registration fee (£55.00), fuel (£50.00 incl. VAT), and number plates (£25.00 incl. VAT). VAT is calculated at the standard rate of 20%. Some of the model features, optional extras and colours shown may not be available, or may only be available in a different specification, or at a different price

Design	Technology	Plug-in Hybrid	Model lines	Driving experience	Model prices	Personalisation	Standard equipment	Technical data	Additional information
--------	------------	----------------	-------------	--------------------	--------------	-----------------	--------------------	----------------	------------------------



AMG Performance seats - no-cost option shown: nappa leather in sienna brown (code 804A)

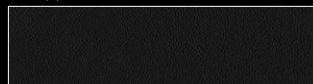
### Interior

AMG Performance steering wheel in carbon fibre design/  
MICROCUT microfibre

### Trim and Upholstery

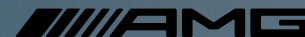
AMG carbon fibre

Nappa leather - black



# BECOME THE AMG EXPERT

Unleash a new level of performance.



Step into the world of performance and experience the AMG brand at Mercedes-Benz World – from the powerful sound of the engines to the smell of the leather to the unmistakable design of our vehicles.

Mercedes-Benz World invites all Mercedes-AMG customers to a complimentary adrenaline-packed driving experience. Feel the sensational AMG driving performance, develop your driving skills and even try your hand at power-sliding on the Wet Skid Circle. With expert one-to-one guidance from a Driving Specialist in the passenger seat, experience every inch of our Handling Circuits, Dynamic Straight and low friction surfaces.

[Click here for more information](#)

#### TERMS AND CONDITIONS

The following customers only are eligible: The first purchaser/registered keeper of a newly registered Mercedes-AMG. The complimentary training must be booked and taken within 12 months of email receipt. The training is available Monday – Friday only (excluding bank holidays) and subject to availability. Upgrades are available for an additional cost, details upon request. Transferable to individuals who reside at the same postal address only. Mercedes-Benz UK Limited reserves the right to amend or withdraw this training experience. Attendees must hold a full UK driving licence. Attendees will be required to sign the Mercedes-Benz World Driving Risk Acknowledgement prior to undertaking the training experience.

The training experience is also subject to the Mercedes-Benz World Terms and Conditions, as applicable. Retailer demonstrator vehicles are not eligible.



Design	Technology	Plug-in Hybrid	Model lines	Driving experience	Model prices	Personalisation	Standard equipment	Technical data	Additional information
--------	------------	----------------	-------------	--------------------	--------------	-----------------	--------------------	----------------	------------------------

[Book a test drive](#)[Find your Mercedes-AMG GT](#)[Find a Showroom](#)

# MODEL PRICES



Model line	Engine	Transmission	CO <sub>2</sub> WLTP <sup>1</sup> *	Basic RRP excl. VAT (£)	Total RRP incl. VAT (£)	Road Fund Licence (£) <sup>2</sup> WLTP	Rec. OTR price (£) <sup>3</sup> WLTP	P11D value (£)	BiK tax rate 2025/26 (%) <sup>2</sup>
<b>Premium</b>									
Mercedes-AMG GT 43	Petrol - 1,991cc, 4-cylinder, 421hp/310 kW	AMG SPEEDSHIFT MCT 9-speed sports automatic transmission	235	83,245.83	99,895.00	4,680.00	<b>105,435.00</b>	100,700.00	37
<b>Premium Plus</b>									
Mercedes-AMG GT 43	Petrol - 1,991cc, 4-cylinder, 421hp/310 kW	AMG SPEEDSHIFT MCT 9-speed sports automatic transmission	235	88,329.17	105,995.00	4,680.00	<b>111,535.00</b>	106,800.00	37
Mercedes-AMG GT 55 4MATIC+	Petrol - 3,982cc, 8-cylinder, 476hp/350 kW	AMG SPEEDSHIFT MCT 9-speed sports automatic transmission	319	118,291.67	141,950.00	5,490.00	<b>148,300.00</b>	142,755.00	37
Mercedes-AMG GT 63 4MATIC+	Petrol - 3,982cc, 8-cylinder, 585hp/430 kW	AMG SPEEDSHIFT MCT 9-speed sports automatic transmission	319	136,041.67	163,250.00	5,490.00	<b>169,600.00</b>	164,055.00	37
Mercedes-AMG GT 63 S E PERFORMANCE	Petrol - 3,982cc, 8-cylinder, 612hp/450 kW Electric motor - 204hp/150 kW	AMG SPEEDSHIFT MCT 9-speed sports automatic transmission	241	150,625.00	180,750.00	4,680.00	<b>186,290.00</b>	181,555.00	37
<b>Mercedes-AMG GT 63 PRO 4MATIC+</b>									
Mercedes-AMG GT 63 PRO 4MATIC+	Petrol - 3,982cc, 8-cylinder, 612hp/450 kW	AMG SPEEDSHIFT MCT 9-speed sports automatic transmission	319	144,166.67	173,000.00	5,490.00	<b>179,350.00</b>	173,805.00	37

<sup>1</sup>The indicated values were determined according to the prescribed measurement method - Worldwide Harmonised Light Vehicle Test Procedure (WLTP). Figures shown may include options which are not available in the UK. <sup>2</sup>Figures shown are for comparability purposes; only compare with other cars tested to the same technical procedures. Figures may not reflect real life driving results, which will depend upon a number of factors including factory-fitted options, accessories fitted (post registration), variations in weather, driving styles and vehicle load. Further information about the test used to establish fuel consumption and CO<sub>2</sub> figures can be found at <http://www.mercedes-benz.co.uk/WLTP>. <sup>3</sup>A different first year rate of Vehicle Excise Duty (Road Fund Licence) applies for new cars. Please refer to page 68 for the relevant rate for the second and subsequent years. <sup>4</sup>The recommended on-the-road price includes the Road Fund Licence applicable to the standard model plus delivery charge (£665.00 incl. VAT), new vehicle registration fee (£55.00), fuel (£50.00 incl. VAT), and number plates (£25.00 incl. VAT). VAT is calculated at the standard rate of 20%. Some of the model features, optional extras and colours shown may not be available, or may only be available in a different specification, or at a different price.

# PERSONALISATION Overview

Paints »



MANUFAKTUR exclusive paints »



Wheels »



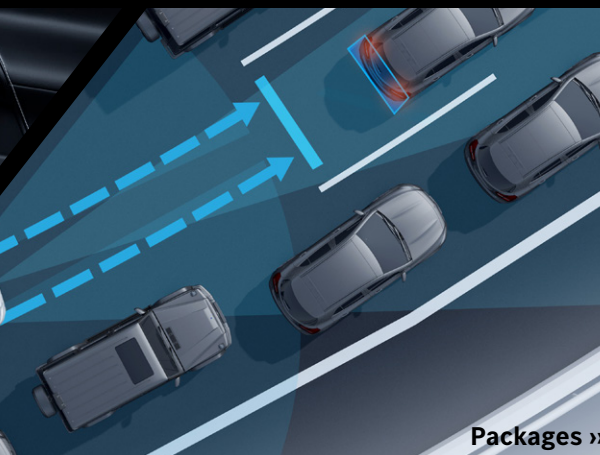
Upholstery »



Trim »



Packages »





# COLOUR OPTIONS

Non-metallic and metallic paints

No-cost option



**197 obsidian black metallic**

All models

**Total RRP incl. VAT**

-



**922 high-tech silver metallic**

All models

**Total RRP incl. VAT**

-



**992 selenite grey metallic**

All models

**Total RRP incl. VAT**

-



**914 sun yellow non-metallic**

All models

**Total RRP incl. VAT**

-



**970 spectral blue metallic**

All models

**Total RRP incl. VAT**

-

Please note that, owing to limitations of on-screen representation, paint colours may differ from those shown

# COLOUR OPTIONS

 MANUFAKTUR paints

○ Cost option



**885 MANUFAKTUR opalite white bright**

All models



**Total RRP incl. VAT**

**£1,600.00**



**956 MANUFAKTUR alpine grey solid**

All models



**Total RRP incl. VAT**

**£4,000.00**



**993 MANUFAKTUR patagonia red bright**

All models



**Total RRP incl. VAT**

**£1,600.00**

Please note that, owing to limitations of on-screen representation, paint colours may differ from those shown

# COLOUR OPTIONS

 MANUFAKTUR and AMG magno paints

○ Cost option



**593 MANUFAKTUR spectral blue magno<sup>1</sup>**

All models



**Total RRP incl. VAT**

**£6,300.00**



**659 MANUFAKTUR opalite white magno<sup>1</sup>**

All models



**Total RRP incl. VAT**

**£6,300.00**



**964 MANUFAKTUR hyper blue magno<sup>1</sup>**

All models



**Total RRP incl. VAT**

**£6,300.00**



**376 AMG green hell magno<sup>1</sup>**

All models



**Total RRP incl. VAT**

**£7,795.00**

Please note that, owing to limitations of on-screen representation, paint colours may differ from those shown

<sup>1</sup>MANUFAKTUR magno matt paint finishes require extra care. Please refer to the Owner's Manual for instructions



Book a test drive



Find your Mercedes-AMG GT



Find a Showroom

# MANUFAKTUR: THE ART OF CUSTOMISATION

Individual craftsmanship

Timeless allure

Exclusive colours



Design

Technology

Plug-in Hybrid

Model lines

Driving experience

Model prices

Personalisation

Standard equipment

Technical data

Additional information

# MANUFAKTUR EXCLUSIVE PAINTS

Take your Mercedes-AMG GT to new heights with the MANUFAKTUR exclusive paint range, offering an extensive range of stunning colours in non-metallic, metallic, and magno matt finishes – crafted for those who expect nothing less than the extraordinary. Each MANUFAKTUR exclusive paint embodies a meticulous process, offering the highest level of individualisation and exclusivity available for the Mercedes-AMG GT.

Whether you're drawn to classic sophistication or something bold and modern, these exclusive shades are designed to reflect your personal style. From the eye-catching Brilliant Blue magno to the distinctive Northern Light Violet metallic, these hues go beyond colour – they're bold statements that make your vehicle truly one-of-a-kind.

For more information, speak to your local Mercedes-Benz Agent or explore our configurator to view all MANUFAKTUR exclusive paint finishes and discover how they can transform your Mercedes-AMG GT into a true expression of your style.

[› Discover your perfect shade](#)

**Available on all models**    **Total incl. VAT £10,200.00**

Please note: MANUFAKTUR exclusive paint colour options may require a longer lead time

# MANUFAKTUR EXCLUSIVE PAINTS colour options

The four colours showcased here are just a glimpse of the extensive MANUFAKTUR exclusive palette available to you. A wide array of stunning shades, each meticulously crafted to reflect our commitment to luxury and design. Our full range of colours is waiting to be explored online, allowing you to find the perfect finish that complements your style. Discover all the possibilities and make your Mercedes-Benz unmistakably yours.



230U Indicolite Blue



592U Northern Light Violet metallic



470U Colorado Beige solid



644U Brilliant Blue magno

[› Discover your perfect shade](#)

Please note: MANUFAKTUR exclusive paint colour options may require a longer lead time

# UPHOLSTERY Nappa leather<sup>1</sup>

- Standard
- No-cost option
- Not available



## 801A Nappa leather<sup>1</sup> – black

MANUFAKTUR roof liner in black MICROCUT microfibre

Premium

Premium Plus

Mercedes-AMG GT 63 PRO 4MATIC+



## 804A Nappa leather<sup>1</sup> – sienna brown/black

MANUFAKTUR roof liner in black MICROCUT microfibre

Premium

Premium Plus

Mercedes-AMG GT 63 PRO 4MATIC+

<sup>1</sup>100% of seat upholstery is pure leather

# UPHOLSTERY Nappa leather<sup>1</sup>

- Standard
- No-cost option
- Not available



**807A Nappa leather<sup>1</sup> – red pepper/black**  
MANUFAKTUR roof liner in black MICRO CUT microfibre

- Premium
- Premium Plus
- Mercedes-AMG GT 63 PRO 4MATIC+



**808A Nappa leather<sup>1</sup> – sage grey/black**  
MANUFAKTUR roof liner in black MICRO CUT microfibre

- Premium
- Premium Plus
- Mercedes-AMG GT 63 PRO 4MATIC+

<sup>1</sup>100% of seat upholstery is pure leather



# UPHOLSTERY

MANUFAKTUR nappa leather<sup>1</sup> and Nappa leather<sup>1</sup>/MICROCUT microfibre

● Standard   □ No-cost option   — Not available



**824A MANUFAKTUR nappa leather<sup>1</sup> - truffle brown**  
MANUFAKTUR roof liner in black MICRO CUT microfibre

Premium	<input type="checkbox"/>
Premium Plus	<input type="checkbox"/>
Mercedes-AMG GT 63 PRO 4MATIC+	<input type="checkbox"/>



**825A MANUFAKTUR nappa leather<sup>1</sup> - crystal white/black<sup>2</sup>**  
MANUFAKTUR roof liner in neva grey MICRO CUT microfibre

Premium	<input type="checkbox"/>
Premium Plus	<input type="checkbox"/>
Mercedes-AMG GT 63 PRO 4MATIC+	<input type="checkbox"/>

<sup>1</sup>100% of seat upholstery is pure leather

# TRIM

● Standard   □ No-cost option   — Not available



**H80 Black piano-lacquer look**

Premium	●
Premium Plus	—
Mercedes-AMG GT 63 PRO 4MATIC+	—



**H73 AMG carbon fibre**

Premium	—
Premium Plus	●
Mercedes-AMG GT 63 PRO 4MATIC+	●



**H97 Open-pore grey birch wood**

Premium	—
Premium Plus	□
Mercedes-AMG GT 63 PRO 4MATIC+	□



**H98 Ship's deck open-pore brown ash wood with aluminium lines**

Premium	—
Premium Plus	□
Mercedes-AMG GT 63 PRO 4MATIC+	□

# COMBINATION OPTIONS

— Not available    Roof liner available in:  61U black     69U neva grey

		Interior upholstery colours					
		Premium, Premium Plus and Mercedes-AMG GT 63 PRO 4MATIC+					
		801A Nappa leather <sup>1</sup> - black	804A Nappa leather <sup>1</sup> - sienna brown/black	807A Nappa leather <sup>1</sup> - red pepper/black	808A Nappa leather <sup>1</sup> - sage grey/black	824A MANUFAKTUR nappa leather <sup>1</sup> - truffle brown	825A MANUFAKTUR nappa leather <sup>1</sup> - crystal white/black
Exterior paint colours	197 obsidian black metallic						
	914 sun yellow metallic			—	—		
	922 high-tech silver metallic						
	970 spectral blue metallic			—	—		
	992 selenite grey metallic						
	885 MANUFAKTUR opalite white bright						
	956 MANUFAKTUR alpine grey solid						
	993 MANUFAKTUR patagonia red bright		—	—	—	—	
	593 MANUFAKTUR spectral blue magno <sup>2</sup>			—	—		
	659 MANUFAKTUR opalite white magno <sup>2</sup>						
	964 MANUFAKTUR hyper blue magno <sup>2</sup>			—	—		
376 AMG green hell magno <sup>2</sup>			—	—			

<sup>1</sup>100% of seat upholstery is pure leather

<sup>2</sup>MANUFAKTUR magno matt paint finishes require extra care. Please refer to the Owner's Manual for instructions

# WHEELS

● Standard   □ No-cost option   – Not available

Total prices incl. VAT



**RWI 21" AMG forged wheels - 5-twin-spoke design, aerodynamically optimised, painted tantalite grey with a high-sheen finish, 295/30 (front) and 305/30 R21 tyres (rear)**

Premium	●
Premium Plus	□
Mercedes-AMG GT 63 PRO 4MATIC+	–



**RWK 21" AMG forged wheels - 5-twin-spoke design, aerodynamically optimised, painted matt black with a high-sheen rim flange, 295/30 (front) and 305/30 (rear) R21 tyres**

Premium	£670.00
Premium Plus	●
Mercedes-AMG GT 63 PRO 4MATIC+	–



**RWJ 21" AMG forged wheels - cross-spoke design, painted himalaya grey matt, 295/30 (front) and 305/30 (rear) R21 tyres**

Premium	–
Premium Plus	–
Mercedes-AMG GT 63 PRO 4MATIC+	●

Please note the Mercedes-AMG GT 43 comes with silver brake callipers, Mercedes-AMG GT 55 4MATIC+ and Mercedes-AMG GT 63 4MATIC+ with yellow brake callipers, Mercedes-AMG GT 63 S E PERFORMANCE with ceramic brake callipers and Mercedes-AMG GT 63 PRO 4MATIC+ with black-painted ceramic brake callipers

Design	Technology	Plug-in Hybrid	Model lines	Driving experience	Model prices	Personalisation	Standard equipment	Technical data	Additional information
--------	------------	----------------	-------------	--------------------	--------------	-----------------	--------------------	----------------	------------------------

# WHEELS

No-cost option     Not available

Total prices incl. VAT



**RWL 21" AMG forged wheels - cross-spoke design, painted matt black with a high-shine rim flange, 295/30 (front) and 305/30 (rear) R21 tyres**

Premium	–
Premium Plus <sup>1</sup>	<b>£670.00</b>
Mercedes-AMG GT 63 PRO 4MATIC+	<input type="checkbox"/>



**RWD 21" AMG forged wheels - 10-twin-spoke design, painted himalayas grey with a high-shine finish, 295/30 (front) and 305/30 (rear) R21 tyres**

Premium	<b>£410.00</b>
Premium Plus	<input type="checkbox"/>
Mercedes-AMG GT 63 PRO 4MATIC+	–



**RWE 21" AMG forged wheels - 10-twin-spoke design, painted matt black with a high-shine rim flange, 295/30 (front) and 305/30 (rear) R21 tyres**

Premium	<b>£1,000.00</b>
Premium Plus	<input type="checkbox"/>
Mercedes-AMG GT 63 PRO 4MATIC+	–

<sup>1</sup>Not available on the Mercedes-AMG GT 43



Book a test drive



Find your Mercedes-AMG GT



Find a Showroom

# WHEELS

No-cost option     Not available

Total prices incl. VAT



**RWM 21" AMG forged wheels - 10-twin-spoke design, painted himalayas grey with a high-shine finish, 295/30 (front) and 305/30 (rear) R 21 tyres**

Premium	–
Premium Plus <sup>1</sup>	<b>£1,185.00</b>
Mercedes-AMG GT 63 PRO 4MATIC+	–

<sup>1</sup>Not available on the Mercedes-AMG GT 43

# MICHELIN PILOT SPORT CUP 2 R CUP TYRES (code R03)

Mercedes-AMG GT 63 PRO 4MATIC+ only

No-cost option



Design	Technology	Plug-in Hybrid	Model lines	Driving experience	Model prices	Personalisation	Standard equipment	Technical data	Additional information
--------	------------	----------------	-------------	--------------------	--------------	-----------------	--------------------	----------------	------------------------



# DRIVING ASSISTANCE PACKAGE

The Driving Assistance package<sup>1</sup> contains a range of highly intelligent features to help you stay safe on the road – by making the drive more effortless, by warning of danger, and by taking steps to protect you in an emergency.

## Driving Assistance package<sup>1</sup> (code P20)

Active Blind Spot Assist

Active Distance Assist DISTRONIC

Active Steering Assist

Active Stop-and-Go Assist

Evasive Steering Assist

PRE-SAFE<sup>®</sup> PLUS and PRE-SAFE<sup>®</sup> Impulse Side

**Total incl. VAT £2,500.00**

<sup>1</sup>Our driver assistance and safety systems are aids and do not relieve you of your responsibility as the driver. Please take note of the information in the Owner's Manual and the system limits which are described therein



# ULTIMATE PACKAGE

- Standard
- Not available

The Ultimate package takes your AMG experience to the next level with dynamic performance, featuring the AMG Aerodynamics package for enhanced agility and AMG Performance seats for maximum support. The AMG high-performance ceramic composite brake system further enhances driving dynamics and braking power.

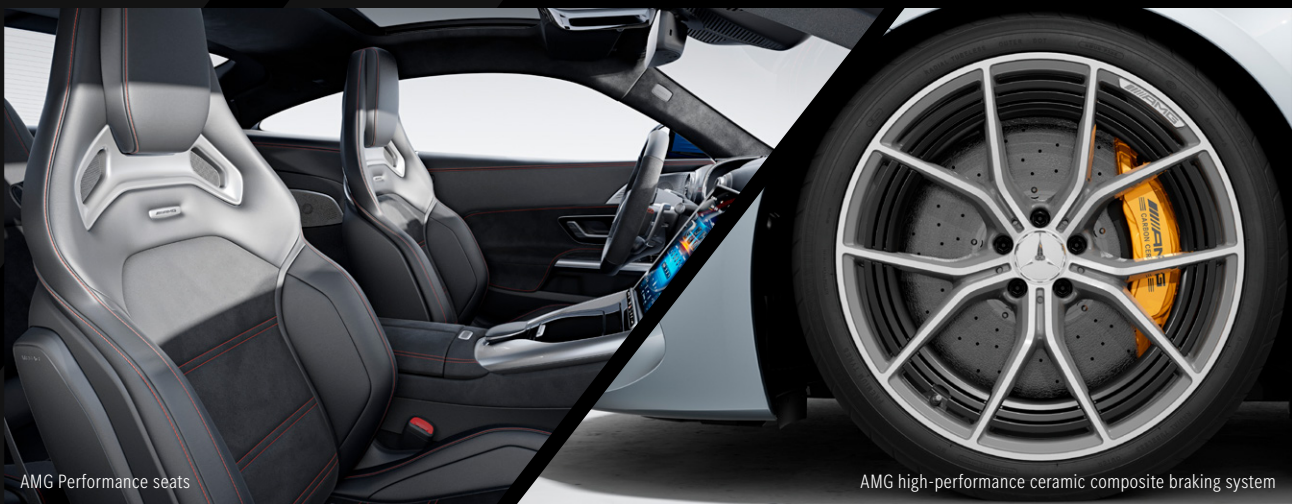
Ultimate package (code DPU) <sup>1</sup>	Mercedes-AMG GT 63 S E Performance Premium Plus	Mercedes-AMG GT 55 4MATIC+ and 63 4MATIC+ Premium Plus
AMG Aerodynamics package	●	●
AMG high-performance ceramic composite braking system <sup>2</sup>	—	●
AMG Performance seats	●	●
Multicontour Seat package	●	●

**Mercedes-AMG GT 63 S E Performance Premium Plus only** Total incl. VAT £5,000.00

**Mercedes-AMG GT 55 4MATIC+ and 63 4MATIC+ Premium Plus only** Total incl. VAT £11,000.00



AMG Aerodynamics package



AMG Performance seats

AMG high-performance ceramic composite braking system

<sup>1</sup>ENERGIZING package replaces ENERGIZING package Plus

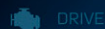
<sup>2</sup>Standard on Mercedes-AMG GT 63 S E Performance Premium Plus

SETTINGS SELECT

DYNAMIC SELECT



RACE



DRIVE

DYNAMIC

RACE



SUSPENSION

SPORT

SPORT+



DYNAMICS

PRO

MASTER



# AMG DYNAMIC PLUS PACKAGE

The AMG DYNAMIC PLUS package pushes performance to the next level, bundling high-performance components for even greater driving dynamics. With an electronic AMG rear axle locking differential, dynamic AMG engine mounts, and the RACE drive program, this package enhances agility, stability, and responsiveness – delivering a more exhilarating AMG driving experience.

## AMG DYNAMIC PLUS package (code P71)

- Active aerodynamic profile made of carbon fibre
- AMG brake callipers painted in yellow
- AMG dynamic engine mounts
- AMG electronic rear axle locking differential
- RACE drive program
- Suspension lowered by 10 mm

Mercedes-AMG GT 43 Premium and Premium Plus only

Total incl. VAT £4,000.00

Standard on Mercedes-AMG GT 55 4MATIC+ Premium Plus, Mercedes-AMG GT 63 4MATIC+ Premium Plus and Mercedes-AMG GT 63 S E PERFORMANCE<sup>1</sup>

<sup>1</sup>Mercedes-AMG GT 63 S E PERFORMANCE comes with ceramic brake callipers

# OPTIONAL EQUIPMENT



Black-painted brake callipers (code 4U4)<sup>1</sup>

**Total incl. VAT £700.00**

Black-painted brake callipers for AMG ceramic high-performance composite brake system (code 4U8)<sup>2</sup>

**Mercedes-AMG GT 55 and Mercedes-AMG GT 63<sup>2</sup>**

**Total incl. VAT £700.00**

Standard on Mercedes-AMG GT 63 PRO 4MATIC+; not available on Mercedes-AMG GT 43

<sup>1</sup>Only available with AMG Dynamic Plus package (code P71) for Mercedes-AMG GT 43 Premium and Premium Plus

<sup>2</sup>Only available with Ultimate package (code DPU)

Design	Technology	Plug-in Hybrid	Model lines	Driving experience	Model prices	Personalisation	Standard equipment	Technical data	Additional information
							ceramic composite braking system		

<sup>3</sup>Only in



Book a test drive



Find your Mercedes-AMG GT



Find a Showroom

# STANDARD EQUIPMENT

● Standard – Not available

## Engine, Transmission and Suspension

	GT 43 Premium	GT 43 Premium Plus	GT 55 Premium Plus	GT 63 Premium Plus	GT 63 S E-PERF. Plus	GT 63 PRO 4MATIC+
AMG ACTIVE RIDE CONTROL suspension	–	–	●	●	●	●
AMG DYNAMIC PLUS package – 'RACE' drive program, AMG dynamic engine mounts, AMG rear axle locking differential (electronic) and suspension lowering by 10 mm	–	–	●	●	●	●
AMG electronic rear-axle limited-slip differential	–	–	●	●	–	●
AMG RIDE CONTROL suspension	●	●	–	–	–	–
AMG SPEEDSHIFT MCT 9-speed sports automatic transmission	●	●	●	●	●	●
AMG Track Pace – transform your AMG vehicle into your virtual race engineer. With the aid of lap, sector and acceleration times plus selected live telemetry data you can specifically analyse and improve your driving skills on cordoned-off tracks	●	●	●	●	●	●
Charging cable – Mode 2 cable (5 metres, straight) for domestic socket	–	–	–	–	●	–
Charging cable – Mode 3 cable (8 metres, straight) for wallbox and public charging station	–	–	–	–	●	–
Charging system – AC charging 3.7 kW	–	–	–	–	●	–
Cruise control	●	●	●	●	●	●
Lift system, front axle	–	–	–	●	●	–
Pre-installation for Remote and Charging Services	–	–	–	–	●	–

## Exterior

	GT 43 Premium	GT 43 Premium Plus	GT 55 Premium Plus	GT 63 Premium Plus	GT 63 S E-PERF. Plus	GT 63 PRO 4MATIC+
Active rear spoiler (retractable)	●	●	●	●	●	–
AMG Aerodynamics package – front apron with larger flics on the air intakes and wheel arches in high-gloss black, rear apron with flics on the side air outlets in high-gloss black, diffuser attachment at the rear in high-gloss black and active aerodynamic profile made of carbon in the underbody in front of the engine	–	–	–	–	–	●
AMG Exterior Carbon package	–	–	–	–	–	●
AMG high-performance ceramic composite braking system	–	–	–	–	●	●
AMG high-performance compound brake system	●	●	●	●	–	–
AMG light display – the projector fitted in the side skirts casts 'AMG' lettering onto the asphalt	●	●	●	●	●	●
AMG Night package – front splitter in high-gloss black, A-wing trim strip in high-gloss black, front wing trim element in high-gloss black, AMG outside mirror housing in high-gloss black, side sill panel with trim strip in high-gloss black, rear apron insert in high-gloss black and twin tailpipe trims in black chrome	●	●	●	●	●	–
AMG Night package II – radiator grille in black chrome, typography on the front wings and rear in black chrome and Mercedes star at the rear in black chrome	–	●	●	●	●	●
AMG Real Performance Sound	●	●	●	●	●	●
Brakes – bronze-painted brake callipers with 'AMG Carbon Ceramic' lettering	–	–	–	–	●	–
Brakes – ceramic brake callipers painted in black	–	–	–	–	–	●
Brakes – silver-painted AMG brake callipers	●	●	–	–	–	–
Brakes – yellow-painted AMG brake callipers	–	–	●	●	–	–
KEYLESS-GO starting function	●	●	●	●	●	●
KEYLESS-GO with seamless doorhandles	●	●	●	●	●	●

[Book a test drive](#)[Find your Mercedes-AMG GT](#)[Find a Showroom](#)

# STANDARD EQUIPMENT

● Standard ○ Optional – Not available

## Exterior (continued)

	GT 43 Premium	GT 43 Premium Plus	GT 63 Premium Plus	GT 63 S E-PERF. Plus	GT 63 PRO 4MATIC+ Plus	GT 63 PRO 4MATIC+
Headlamps – DIGITAL LIGHT	●	●	●	●	●	●
MAGIC VISION CONTROL – highly efficient windscreen wiper system comprising control unit, position sensor, electric pump and distributor rail; heating for wiper blades, washer fluid reservoir and washer fluid hoses; automatic intermittent wipe with rain sensor and Practical one-touch wash function	●	●	●	●	●	●
Mirror package	●	●	●	●	●	●
Panoramic fixed glass roof	●	●	●	●	●	●
Privacy glass	●	●	●	●	●	●
Radiator grille with fins painted black	●	●	●	●	●	●

## Wheels

21" AMG wheels – 5-twin-spoke design, aerodynamically optimised, painted tantalite grey with a high-sheen finish, with 295/30 (front) and 305/30 (rear) R21 tyres (code RWI)	●	○	○	○	○	–
21" AMG forged wheels – 5-twin-spoke design, aerodynamically optimised, painted matt black with a high-sheen rim flange, 295/30 (front) and 305/30 (rear) R21 tyres (code RWK)	○	●	●	●	●	–
21" AMG forged wheels – cross-spoke design, painted himalaya grey matt, 295/30 (front) and 305/30 (rear) R21 tyres (code RWJ)	–	–	–	–	–	●
Summer tyres	●	●	●	●	●	●

## Interior

	GT 43 Premium	GT 43 Premium Plus	GT 63 Premium Plus	GT 63 S E-PERF. Plus	GT 63 PRO 4MATIC+ Plus	GT 63 PRO 4MATIC+
Ambient lighting – 64 colours	●	●	●	●	●	●
AMG illuminated door sills with 'AMG' lettering and exchangeable cover	●	●	●	●	●	●
Cup holder – twin, front	●	●	●	●	●	●
ENERGIZING AIR CONTROL – monitors the air quality with the help of air quality and fine particle sensors. A two-stage filter concept reduces fine particle and the majority of other inhalable pollutants. Depending on the value measured, your vehicle switches intelligently between fresh air and air-recirculation mode	–	–	–	●	●	●
ENERGIZING package – comfort programmes 'Warmth', 'Joy', Well-being', 'Refresh' and 'Vitality', ENERGIZING COACH with individual programme recommendations	–	–	–	–	–	●
ENERGIZING package Plus – comfort programmes 'Warmth', 'Joy', Well-being', 'Refresh' and 'Vitality', ENERGIZING COACH with individual programme recommendations, multicontour seats and seat climate control for driver and front passenger	–	●	●	●	●	–
Load Compartment package	●	●	●	●	●	●
Memory package	●	●	●	●	●	●
Seats – 4-way lumbar support	●	–	–	–	–	–
Seats – AMG Performance seats	–	–	–	–	–	●
Seats – climatised (front)	–	●	●	●	●	●
Seats – heated (front)	●	–	–	–	–	–
Seats – multicontour with massage function (front)	–	●	●	●	●	–
Seats – Multicontour Seat package with electrically adjustable lumbar support	–	–	–	–	–	●
Seats – rear seats with folding backrests <sup>1</sup>	●	●	●	●	●	●
Socket in boot	●	●	●	●	●	●
THERMOTRONIC automatic climate control	●	●	●	●	●	●

<sup>1</sup>For passengers up to 1.5 m tall

[Book a test drive](#)[Find your Mercedes-AMG GT](#)[Find a Showroom](#)

# STANDARD EQUIPMENT

● Standard – Not available

	GT 43 Premium	GT 43 Premium Plus	GT 63 Premium Plus	GT 63 S E-PERF. Plus	GT 63 PRO 4MATIC+ Plus	GT 63 PRO 4MATIC+
<b>Steering</b>						
Rear-axle steering	–	–	●	●	●	●
Steering wheel – AMG Performance steering wheel in carbon fibre design/ MICROCUT microfibre	–	–	–	–	–	●
Steering wheel – AMG Performance steering wheel in nappa leather	●	●	●	–	–	–
Steering wheel – AMG Performance steering wheel in nappa leather/MICROCUT microfibre	–	–	–	●	●	–
Steering wheel – AMG steering wheel buttons	●	●	●	●	●	●
Steering wheel – heated	●	●	●	●	●	●

## Paint, Trim and Upholstery

Paint – metallic	●	●	●	●	●	●
Roof liner – MANUFAKTUR roof liner in black MICROCUT microfibre	●	●	●	●	●	●
Trim – AMG carbon fibre	–	●	●	●	●	●
Trim – black piano-lacquer look	●	–	–	–	–	–
Upholstery – nappa leather in black	●	●	●	●	●	●

## Safety and Assistance Systems

360° camera	●	●	●	●	●	●
Active Brake Assist <sup>1</sup> with intersection start-off function	●	●	●	●	●	●
Active Lane Keeping Assist <sup>1</sup>	●	●	●	●	●	●
Blind Spot Assist	●	●	●	●	●	●
Child presence detection	●	●	●	●	●	●

	GT 43 Premium	GT 43 Premium Plus	GT 63 Premium Plus	GT 63 S E-PERF. Plus	GT 63 PRO 4MATIC+ Plus	GT 63 PRO 4MATIC+
<b>Communications and In-Car Entertainment</b>						
Dashcam	●	●	●	●	●	●
GUARD 360° vehicle protection Plus <sup>2</sup>	●	●	●	●	●	●
Mercedes-Benz emergency call system <sup>2,3</sup>	●	●	●	●	●	●
Parking package – Active Parking Assist <sup>1</sup>	●	●	●	●	●	●
PRE-SAFE® system	●	●	●	●	●	●
Pedestrian protection	●	●	●	●	●	●
Traffic Sign Assist	●	●	●	●	●	●
Tyres – tyre pressure monitoring system	●	●	●	●	●	●

## Communications and In-Car Entertainment

Burmester® surround sound system	●	●	●	●	●	●
Central display – high-resolution 11.9-inch display	●	●	●	●	●	●
Driver display – high-resolution 12.3-inch LCD colour display	●	●	●	●	●	●
Head-up display	–	●	●	●	●	●
MBUX augmented reality for navigation	–	●	●	●	●	●
MBUX Navigation Premium <sup>2</sup>	●	●	●	●	●	●
Remote Services Premium <sup>2</sup>	●	●	●	●	●	●
Smartphone integration <sup>4</sup> including Apple CarPlay® and Android Auto™	●	●	●	●	●	●
USB package Plus – two USB-C ports in the front oddments tray and two USB-C ports below the centre armrest	●	●	●	●	●	●
Wireless charging system (front) for mobile devices <sup>4</sup>	●	●	●	●	●	●

<sup>1</sup>Our driver assistance and safety systems are aids and do not relieve you of your responsibility as the driver. Please take note of the information in the Owner's Manual and the system limits which are described therein

<sup>2</sup>The connection of the communication module to the mobile phone network including the emergency call system depends on the respective network coverage and availability of network providers

<sup>3</sup>Please be aware Mercedes-Benz emergency call system comes as standard for the first 10 years of the vehicle's lifecycle

<sup>4</sup>Compatible mobile phone required. Please check [www.mercedes-benz-mobile.com](http://www.mercedes-benz-mobile.com) for details or contact your local Mercedes-Benz Agent for further information

# TECHNICAL DATA

- Standard

Model	Mercedes-AMG GT 43	Mercedes-AMG GT 55 4MATIC+	Mercedes-AMG GT 63 4MATIC+	Mercedes-AMG GT 63 PRO 4MATIC+	Mercedes-AMG GT 63 S E PERFORMANCE
<b>Engine</b>					
Total displacement	cc 1,991	3,982	3,982	3,982	3,982
Arrangement/cylinders/valves	in-line/4/16	V/8/32	V/8/32	V/8/32	V/8/32
Power <sup>1</sup>	hp (kW) at rpm				
Combustion engine	421 (310)/6,750	476 (350)/6,500	585 (430)/6,500	612 (450)/6,500	612 (450)/5,750–6,500
Electric motor	–	–	–	–	204 (150)
System output	–	–	–	–	816 (600)
Torque <sup>1</sup>	Nm at rpm				
Combustion engine	500/5,000	700/2,250–4,500	800/2,500–5,000	850/2,500–4,500	850/2,500–4,500
Electric motor	–	–	–	–	320
Compression ratio	10.0:1	8.6:1	8.6:1	8.6:1	8.6:1
Electric range – WLTP <sup>2</sup>	miles –	–	–	–	7
Energy consumption combined <sup>2,3</sup>	Wh/km –	–	–	–	372
Battery type (usable)	kWh –	–	–	–	Lithium-ion (4.84)
Charging time					
Wallbox (3.7 kW AC) 25–100% <sup>4</sup>	–	–	–	–	3 hrs 40 mins
Emissions standard	Euro 6 EB	Euro 6 EB	Euro 6 EB	Euro 6 EB	Euro 6 EB
<b>Transmission</b>					
AMG SPEEDSHIFT MCT 9-speed sports auto. transmission	●	●	●	●	●

<sup>1</sup>Figures according to Directive 80/1269/EEC in the currently applicable version    <sup>2</sup>The indicated values were determined according to the prescribed measurement method – Worldwide Harmonised Light Vehicle Test Procedure (WLTP). Figures shown may include options which are not available in the UK. For Plug-in Hybrid Electric Vehicle (PHEV) figures determined with the battery fully charged, using a combination of both battery power and fuel. These models require mains electricity for charging    <sup>3</sup>The certified electrical consumption is generally determined at maximum AC charging capacity using a Mode 3 cable. It is therefore recommended that vehicles with a HV battery preferably be charged at a wallbox or an AC charging station with a Mode 3 cable in order to achieve shorter charging times and improved charging efficiency    <sup>4</sup>Specified voltage and current values refer to network infrastructure and can be limited by the vehicle. Times are from 25–100% charge using a wallbox (three-phase) or standard socket (single-phase)

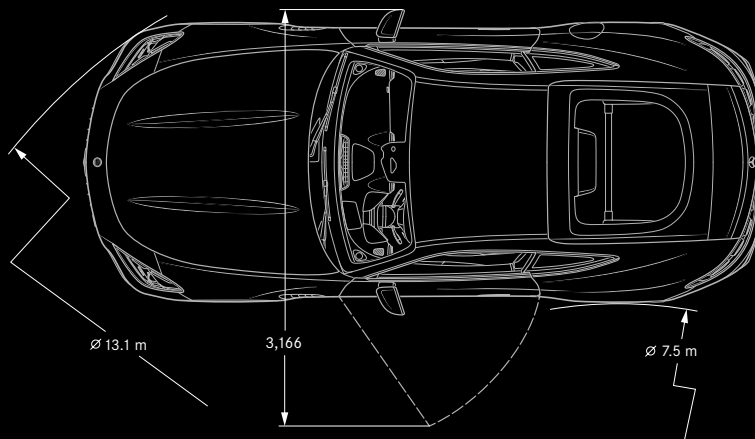
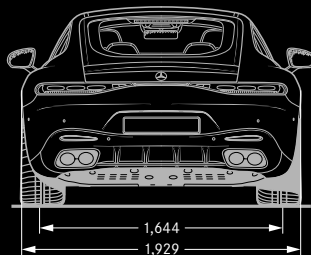
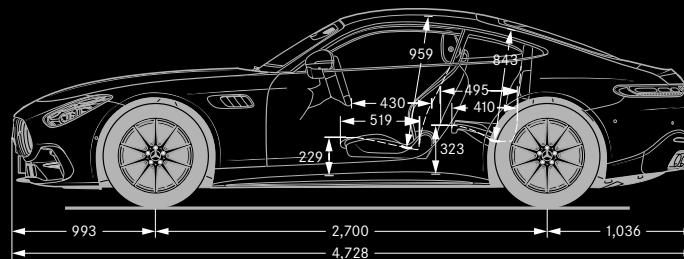
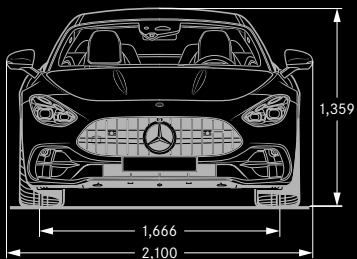
# TECHNICAL DATA

Model		Mercedes-AMG GT 43	Mercedes-AMG GT 55 4MATIC+	Mercedes-AMG GT 63 4MATIC+	Mercedes-AMG GT 63 PRO 4MATIC+	Mercedes-AMG GT 63 S E PERFORMANCE
<b>Performance</b>						
Acceleration 0–62 mph	sec	4.6	3.9	3.2	3.2	2.8
Top speed	mph	174	183	196 <sup>5</sup>	197 <sup>5</sup>	199 <sup>5</sup>
<b>Weights and capacities</b>						
Kerb weight <sup>6</sup>	kg	1,974	2,121	2,121	2,090	2,340
Perm. Gross Vehicle Weight	kg	2,005	2,160	2,160	2,130	2,365
Boot capacity	l	321	321	321	321	182
Fuel tank capacity/of which reserve	l	70/10	70/10	70/10	70/10	70/10
Turning circle	m	13.16	12.57	12.57	12.57	12.57
<b>Fuel consumption<sup>7,8,9</sup></b>						
Combined (consumption dependent on chosen optional equipment)	l/100 km	10.3	14.0	14.0	14.0	10.6
	mpg	27.4	20.2	20.2	20.2	26.7
<b>Insurance</b>						
Group rating		50E	50E	50E	50E	50E
Insurance ratings may vary depending on model line and specification.						

<sup>5</sup>Electronically limited <sup>6</sup>Mass of the vehicle in running order with at least 90% full fuel tank, plus the mass of the driver (estimated by law at 75 kg), fuel and fluids, equipped with the standard equipment as specified by the manufacturer as well as, where applicable, the mass of the body, cab, trailer coupling and spare wheel(s) as well as tools. Optional extras, additional equipment and accessories can influence the weight, residual payload, rolling resistance, aerodynamics, etc., and therefore also affect the consumption/CO<sub>2</sub> values <sup>7</sup>All figures are based on a standard specification with the smallest tyre size <sup>8</sup>The choice of wheels and transmission may affect CO<sub>2</sub> emissions and corresponding Road Fund Licence <sup>9</sup>The indicated values were determined according to the prescribed measurement method – Worldwide Harmonised Light Vehicle Test Procedure (WLTP). Figures shown may include options which are not available in the UK



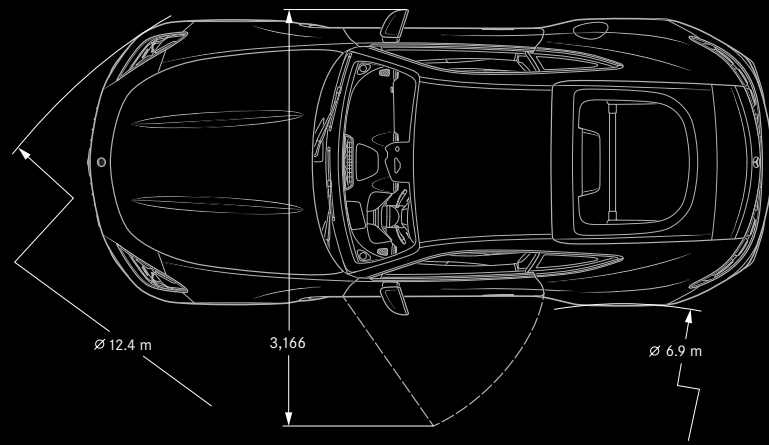
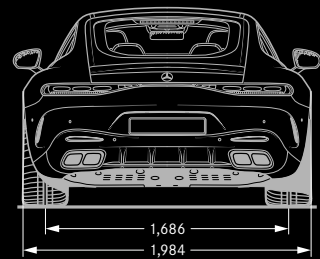
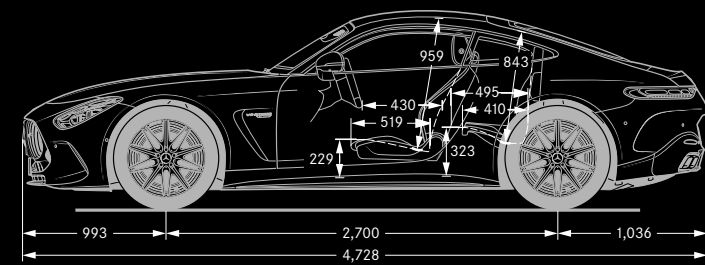
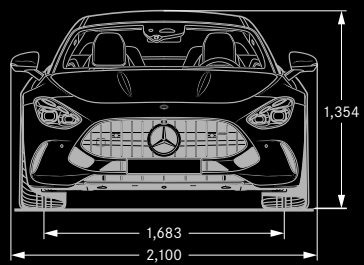
## Mercedes-AMG GT 43



All measurements in millimetres. The dimensions shown are mean values and apply to standard-specification, unladen vehicles

Design	Technology	Plug-in Hybrid	Model lines	Driving experience	Model prices	Personalisation	Standard equipment	Technical data	Additional information
--------	------------	----------------	-------------	--------------------	--------------	-----------------	--------------------	----------------	------------------------

# Mercedes-AMG GT 55 4MATIC+ and all Mercedes-AMG GT 63 variants



All measurements in millimetres. The dimensions shown are mean values and apply to standard-specification, unladen vehicles

Design	Technology	Plug-in Hybrid	Model lines	Driving experience	Model prices	Personalisation	Standard equipment	Technical data	Additional information
--------	------------	----------------	-------------	--------------------	--------------	-----------------	--------------------	----------------	------------------------



Book a test drive

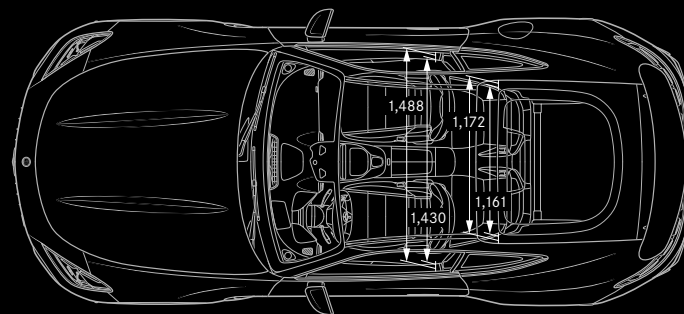
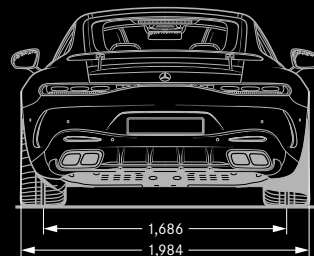
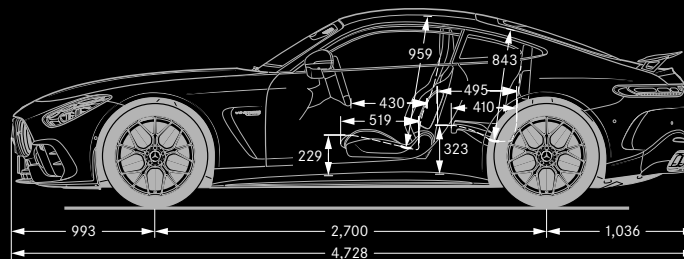
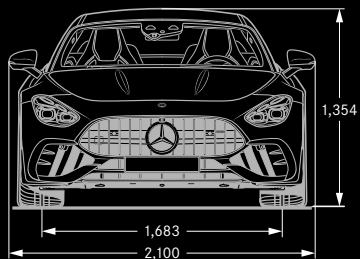


Find your Mercedes-AMG GT



Find a Showroom

# Mercedes-AMG GT 63 PRO 4MATIC+



All measurements in millimetres. The dimensions shown are mean values and apply to standard-specification, unladen vehicles

Design	Technology	Plug-in Hybrid	Model lines	Driving experience	Model prices	Personalisation	Standard equipment	Technical data	Additional information
--------	------------	----------------	-------------	--------------------	--------------	-----------------	--------------------	----------------	------------------------

# ROAD FUND LICENCE

All road vehicle registrations are subject to Vehicle Excise Duty (Road Fund Licence), which varies in accordance with the vehicle's CO<sub>2</sub> emissions. A first year rate for each taxation band will apply. The table below shows the bands (A–M) created by the DVLA and the corresponding Road Fund Licence. CO<sub>2</sub> emissions and the relevant Excise Duty are shown on the model pricing pages.

Road fund licence rates for tax year 2025/26, effective from 1 April 2025

Band	CO <sub>2</sub> emissions (g/km)	First year rate (£)	Standard rate (£)	Premium rate (£) <sup>1</sup>
A	0	10.00	195.00	620.00
B	1 to 50	110.00	195.00	620.00
C	51 to 75	130.00	195.00	620.00
D	76 to 90	270.00	195.00	620.00
E	91 to 100	350.00	195.00	620.00
F	101 to 110	390.00	195.00	620.00
G	111 to 130	440.00	195.00	620.00
H	131 to 150	540.00	195.00	620.00
I	151 to 170	1,360.00	195.00	620.00
J	171 to 190	2,190.00	195.00	620.00
K	191 to 225	3,300.00	195.00	620.00
L	226 to 255	4,680.00	195.00	620.00
M	over 255	5,490.00	195.00	620.00



Some of the model features, optional extras and colours shown may not be available, or may only be available in a different specification, or at a different price  
<sup>1</sup>Premium rate only applicable to vehicles where the list price is over £40,000 including any factory-fitted options, standard UK delivery charge and VAT



# SERVICES AND INSURANCE

## Mercedes-Benz Service Plans

We believe that servicing and repair costs should be as flexible and affordable as possible for your Mercedes-AMG GT, which is why we offer a choice of Service Plans to make it easy to budget for all your servicing, MOT and repair costs. It spreads your bills into manageable monthly payments based on whether you have a new or used Mercedes-Benz.

- **ServiceCare** – guarantees the price of parts and labour for up to four services and safeguards against any inflationary influences. It also covers your annual MOT fees depending on the age of your vehicle when you take your plan out.
- **CompleteCare** – our most comprehensive plan covering all your servicing, MOT, wear & tear needs as well as Extended Warranty once your vehicle turns four years old.
- **Extended Warranty** – protect yourself against sudden or unexpected repair costs after your initial warranty period has ended after three years. There are three policy options to choose from: 12-month, 24-month or a monthly pay-as-you-go option.

[Click here for more information](#)

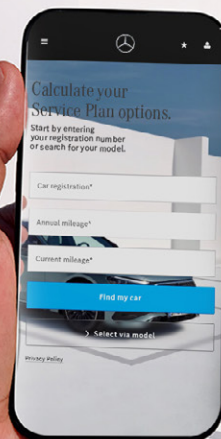
## Warranty and breakdown cover

Every Mercedes-Benz comes with a three-year unlimited mileage warranty against manufacturing or material defects<sup>1</sup> and up to 30 years warranty against perforation due to corrosion from the inside out.<sup>2</sup> What's more, it's also covered by Mercedes-Benz Roadside Assistance – a unique package comprising up to 30 years pan-European breakdown assistance.<sup>2</sup>

<sup>1</sup>Applies to vehicles sold by Mercedes-Benz in the UK to its franchised Mercedes-Benz Agents  
Mercedes-Benz Motor Insurance is underwritten by Aviva Insurance UK Limited. Credit provided, subject to status, by Mercedes-Benz Financial Services UK Ltd, MK15 8BA

<sup>2</sup>Subject to full Terms and Conditions, dependent on date of registration, available upon request

<sup>3</sup>Terms and Conditions apply. We are an independent intermediary dealing with selected insurers in respect of annual insurance



## Motor Insurance

We know that once you have chosen your Mercedes-Benz you can't wait to drive it – that's why we created First Cover<sup>3</sup>. It gives you 5 days' free comprehensive Motor Insurance when you buy a new or used vehicle from a Mercedes-Benz Agent. We will also send you a quote for annual cover, so you can enjoy the same peace of mind all year round.

[Apply for First Cover](#)



Effective from June 2025 Production. Information correct at time of publication 25.03.2025.  
Prices and specifications are subject to change without prior notice.  
MBC192PL/0325 MY806

Mercedes-Benz UK Limited, Delaware Drive, Tongwell, Milton Keynes, MK15 8BA. Company number: 02448457 [www.mercedes-benz.co.uk](http://www.mercedes-benz.co.uk)

