



# The CLE

Coupé and Cabriolet  
Effective from December 2024 Production.

Mercedes-Benz



[Book a test drive](#)[Find your CLE](#)[Find a Showroom](#)

Some of the model features, optional extras and colours shown may not be available, or may only be available in a different specification, or at a different price.

Design	Technology	Plug-in Hybrid	Model lines	Upholstery	Model prices	Mercedes-AMG	Mercedes-AMG upholstery	Mercedes-AMG prices	Personalisation	Standard equipment	Technical data	Additional information
--------	------------	----------------	-------------	------------	--------------	--------------	-------------------------	---------------------	-----------------	--------------------	----------------	------------------------





Book a test drive



Find your CLE



Find a Showroom



Some of the model features, optional extras and colours shown may not be available, or may only be available in a different specification, or at a different price.

Design	Technology	Plug-in Hybrid	Model lines	Upholstery	Model prices	Mercedes-AMG	Mercedes-AMG upholstery	Mercedes-AMG prices	Personalisation	Standard equipment	Technical data	Additional information
--------	------------	----------------	-------------	------------	--------------	--------------	-------------------------	---------------------	-----------------	--------------------	----------------	------------------------



Book a test drive



Find your CLE



Find a Showroom



Some of the model features, optional extras and colours shown may not be available, or may only be available in a different specification, or at a different price.

Design	Technology	Plug-in Hybrid	Model lines	Upholstery	Model prices	Mercedes-AMG	Mercedes-AMG upholstery	Mercedes-AMG prices	Personalisation	Standard equipment	Technical data	Additional information
--------	------------	----------------	-------------	------------	--------------	--------------	-------------------------	---------------------	-----------------	--------------------	----------------	------------------------





Book a test drive



Find your CLE



Find a Showroom



Some of the model features, optional extras and colours shown may not be available, or may only be available in a different specification, or at a different price.

Design	Technology	Plug-in Hybrid	Model lines	Upholstery	Model prices	Mercedes-AMG	Mercedes-AMG upholstery	Mercedes-AMG prices	Personalisation	Standard equipment	Technical data	Additional information
--------	------------	----------------	-------------	------------	--------------	--------------	-------------------------	---------------------	-----------------	--------------------	----------------	------------------------



Book a test drive



Find your CLE



Find a Showroom



Some of the model features, optional extras and colours shown may not be available, or may only be available in a different specification, or at a different price.

Design	Technology	Plug-in Hybrid	Model lines	Upholstery	Model prices	Mercedes-AMG	Mercedes-AMG upholstery	Mercedes-AMG prices	Personalisation	Standard equipment	Technical data	Additional information
--------	------------	----------------	-------------	------------	--------------	--------------	-------------------------	---------------------	-----------------	--------------------	----------------	------------------------



[Book a test drive](#)[Find your CLE](#)[Find a Showroom](#)

Some of the model features, optional extras and colours shown may not be available, or may only be available in a different specification, or at a different price.

Design	Technology	Plug-in Hybrid	Model lines	Upholstery	Model prices	Mercedes-AMG	Mercedes-AMG upholstery	Mercedes-AMG prices	Personalisation	Standard equipment	Technical data	Additional information
--------	------------	----------------	-------------	------------	--------------	--------------	-------------------------	---------------------	-----------------	--------------------	----------------	------------------------



Book a test drive



Find your CLE



Find a Showroom



Some of the model features, optional extras and colours shown may not be available, or may only be available in a different specification, or at a different price.

Design	Technology	Plug-in Hybrid	Model lines	Upholstery	Model prices	Mercedes-AMG	Mercedes-AMG upholstery	Mercedes-AMG prices	Personalisation	Standard equipment	Technical data	Additional information
--------	------------	----------------	-------------	------------	--------------	--------------	-------------------------	---------------------	-----------------	--------------------	----------------	------------------------





Book a test drive



Find your CLE



Find a Showroom



Some of the model features, optional extras and colours shown may not be available, or may only be available in a different specification, or at a different price.

Design	Technology	Plug-in Hybrid	Model lines	Upholstery	Model prices	Mercedes-AMG	Mercedes-AMG upholstery	Mercedes-AMG prices	Personalisation	Standard equipment	Technical data	Additional information
--------	------------	----------------	-------------	------------	--------------	--------------	-------------------------	---------------------	-----------------	--------------------	----------------	------------------------



Book a test drive



Find your CLE



Find a Showroom



Some of the model features, optional extras and colours shown may not be available, or may only be available in a different specification, or at a different price.

Design	Technology	Plug-in Hybrid	Model lines	Upholstery	Model prices	Mercedes-AMG	Mercedes-AMG upholstery	Mercedes-AMG prices	Personalisation	Standard equipment	Technical data	Additional information
--------	------------	----------------	-------------	------------	--------------	--------------	-------------------------	---------------------	-----------------	--------------------	----------------	------------------------





Some of the model features, optional extras and colours shown may not be available, or may only be available in a different specification, or at a different price.

<a href="#">Design</a>	<a href="#">Technology</a>	<a href="#">Plug-in Hybrid</a>	<a href="#">Model lines</a>	<a href="#">Upholstery</a>	<a href="#">Model prices</a>	<a href="#">Mercedes-AMG</a>	<a href="#">Mercedes-AMG upholstery</a>	<a href="#">Mercedes-AMG prices</a>	<a href="#">Personalisation</a>	<a href="#">Standard equipment</a>	<a href="#">Technical data</a>	<a href="#">Additional information</a>
------------------------	----------------------------	--------------------------------	-----------------------------	----------------------------	------------------------------	------------------------------	---	-------------------------------------	---------------------------------	------------------------------------	--------------------------------	--



CLE

# Technology

Design	Technology	Plug-in Hybrid	Model lines	Upholstery	Model prices	Mercedes-AMG	Mercedes-AMG upholstery	Mercedes-AMG prices	Personalisation	Standard equipment	Technical data	Additional information
--------	------------	----------------	-------------	------------	--------------	--------------	-------------------------	---------------------	-----------------	--------------------	----------------	------------------------



[Book a test drive](#)[Find your CLE](#)[Find a Showroom](#)

# DIGITAL LIGHT

 High-definition headlamps with innovative features

● Standard    – Not available

The new innovative DIGITAL LIGHT headlamps works like a projector with more than one million pixels per headlamp and responds with brilliant light to changing traffic, road or weather conditions. Its ULTRA RANGE Highbeam with 650m makes you feel like driving at daylight.

Model line	DIGITAL LIGHT
AMG Line	–
AMG Line Premium	●
AMG Line Premium Plus	●
Premier Edition	●
All Mercedes-AMG CLE53 variants	●



# Mercedes-Benz User Experience (MBUX)

Transforming the in-car user experience, thanks to MBUX: Controlled via voice or touch input, the innovative infotainment system can over time even predict personal habits thanks to artificial intelligence.

## Voice control

- Activated by the keywords “Hey Mercedes”, the new intelligent voice control LINGUATRONIC<sup>1</sup> lets you control many of the infotainment functions, including destination input, phone calls or music selection
- MBUX is able to understand different accents and will adjust to you over time
- MBUX even understands indirect commands. Feeling chilly? Just say “I feel cold” and MBUX will adjust the temperature for you

## Touch inputs

- Beside voice control you can operate MBUX via touchscreen as well as touch control buttons on the steering wheel

## Personalisation

- Turn the CLE into your very own Mercedes-Benz by personalising driving modes, radio stations and much more
- Your personal settings can be saved in up to seven different profiles, making your driving experience the best one possible
- Thanks to artificial intelligence, MBUX is able to learn and adapt over time. It will be able to predict your personal habits, such as navigation for frequently-driven routes, or the radio station you like to listen to on your way home from work

## Maintenance and service

- Wondering when the next service is due? Or how much further you can drive until you need to stop at a petrol station? Just ask your MBUX – it will tell you the answer



The connection of the communication module to the mobile phone network including the emergency call system depends on the respective network coverage and availability of network providers

<sup>1</sup>LINGUATRONIC off-board functions are currently only available for three years

Design	Technology	Plug-in Hybrid	Model lines	Upholstery	Model prices	Mercedes-AMG	Mercedes-AMG upholstery	Mercedes-AMG prices	Personalisation	Standard equipment	Technical data	Additional information
--------	------------	----------------	-------------	------------	--------------	--------------	-------------------------	---------------------	-----------------	--------------------	----------------	------------------------

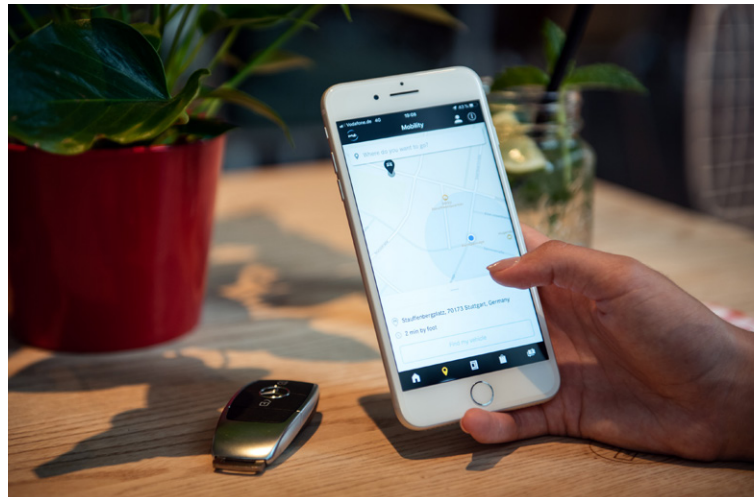


# Digital Extras Stay connected any time, anywhere.

Digital Extras is a range of innovative online services designed to enhance your Mercedes-Benz experience. Accessible via mobile, tablet or PC, Digital Extras lets you enjoy the highest standards of care and support, in a way that integrates seamlessly with your busy lifestyle.

### Safety and Service – Digital Extras helps to keep you and your car safe

Check your car's oil level, tyre pressure and fuel from your phone so you'll be ready for every journey.



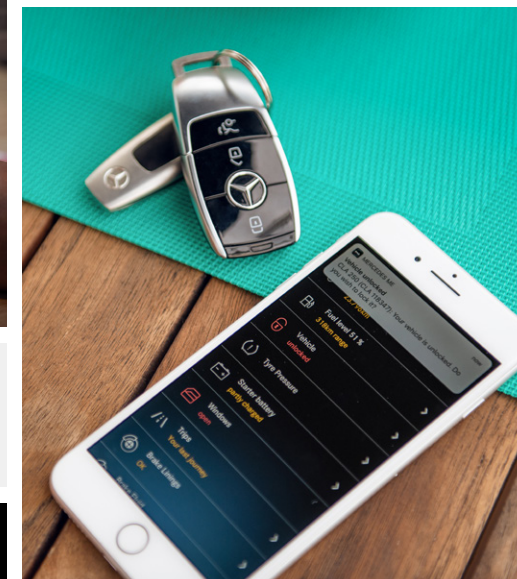
### Live Traffic Information, Parked Vehicle Locator and much more with Digital Extras

Forgot where you've parked? Parked Vehicle Locator<sup>1</sup> will show you exactly where your car is as long as you're in a 1-mile radius of where you parked. Real-time traffic data and dynamic route with shorter journey times.

For more information speak to your local Mercedes-Benz Agent or visit the Mercedes-Benz store at [shop.mercedes-benz.com/en-gb/connect](http://shop.mercedes-benz.com/en-gb/connect)

### Comfort – connect to your car anytime, anywhere

Forgot to lock your car? With Remote Car Lock<sup>2</sup> you will receive a notification on your smartphone to let you know. With one tap, you can lock and unlock your vehicle so you never have to worry.



<sup>1</sup>The connection of the communication module to the mobile phone network including the emergency call system depends on the respective network coverage and availability of network providers

<sup>2</sup>Available on all models with the Vehicle Monitoring package. This option may vary between standard and additional cost dependent on the model

<sup>3</sup>Part of the Vehicle Status package. This option may vary between standard and additional cost dependent on the model

Images shown are for illustration purposes only

Design	Technology	Plug-in Hybrid	Model lines	Upholstery	Model prices	Mercedes-AMG	Mercedes-AMG upholstery	Mercedes-AMG prices	Personalisation	Standard equipment	Technical data	Additional information
--------	------------	----------------	-------------	------------	--------------	--------------	-------------------------	---------------------	-----------------	--------------------	----------------	------------------------



Book a test drive



Find your CLE



Find a Showroom



CLE

# Plug-in Hybrid

Design	Technology	Plug-in Hybrid	Model lines	Upholstery	Model prices	Mercedes-AMG	Mercedes-AMG upholstery	Mercedes-AMG prices	Personalisation	Standard equipment	Technical data	Additional information
--------	------------	----------------	-------------	------------	--------------	--------------	-------------------------	---------------------	-----------------	--------------------	----------------	------------------------



[Book a test drive](#)[Find your CLE](#)[Find a Showroom](#)

# Plug-in Hybrid Electric Vehicle (PHEV) The CLE300 e Coupé with EQ Hybrid Technology.

Plug-in hybrid vehicles enjoy the same functionality of full Hybrid technology, with the added benefit that they can be charged from an external electricity source.

## CLE300 e Coupé

Petrol – 1,999 cc, 4-cylinder, 204 hp/129 kW  
Electric motor – 150 hp/95 kW

### Available as:

AMG Line Premium, AMG Line Premium Plus and Premier Edition

OTR from **£60,610<sup>1</sup>**

### Standard equipment

Acoustic presence indicator

Charging cable – Mode 2 cable (5 metres, straight) for domestic socket

Charging cable – Mode 3 cable (5 metres, straight) for wallbox and public charging stations

Charging system – rated at 11 kW AC

Comfort and self levelling suspension

### Technical details

Equivalent All-Electric Range (EAER) <sup>2</sup>	69 miles
Charging time	
AC charging station (11 kW AC) 10–100% <sup>3</sup>	2 hrs
Wallbox (7.4 kW AC) 10–100% <sup>3</sup>	3 hrs
Electric energy consumption, combined <sup>2,4</sup>	200–201 Wh/km
Battery type (capacity)	lithium-ion (25.4 kWh)
Capacity on-board charger	11 kW AC

### Attention



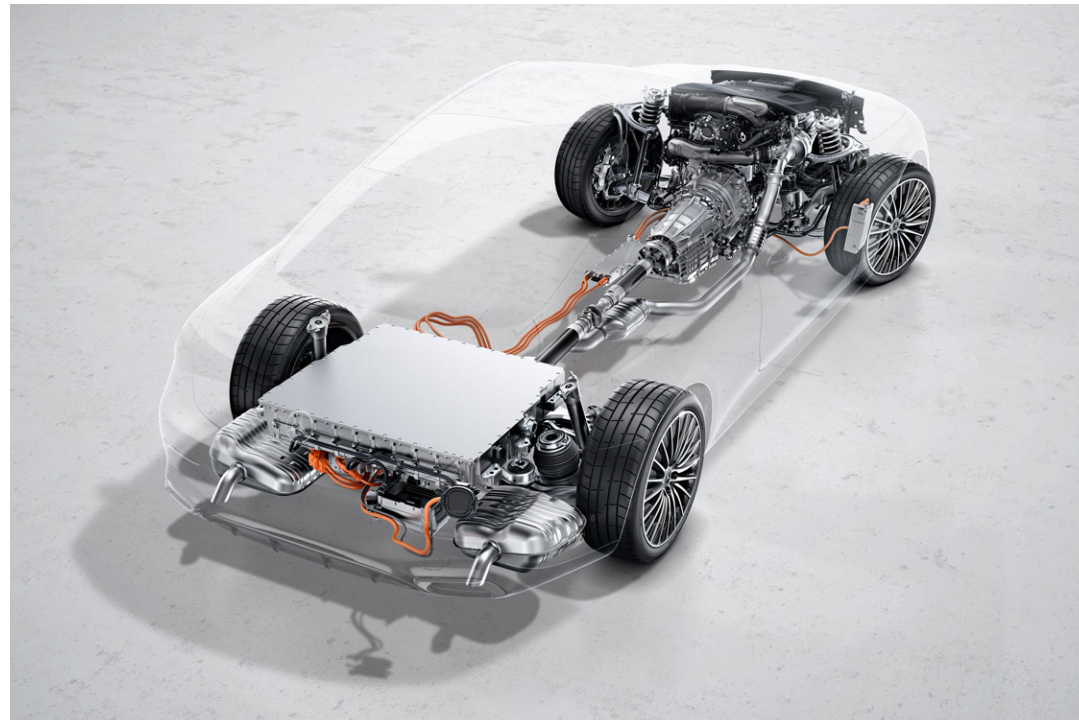
Please be aware that external factors such as weather, gradient and ambient temperature amongst others can significantly impact range.



Please also note that internal factors such as driving style and climate control settings etc. can also significantly impact range.



Using the pre-entry climate control<sup>2</sup> when plugged into a charge point will ensure the perfect ambience and ensure that your car is just how you like it, as well as making sure that your battery isn't used unnecessarily to heat/cool the vehicle (maximising range).



<sup>1</sup>The recommended on-the-road price includes the Road Fund Licence applicable to the standard model plus delivery charge (£730.00 incl. VAT), new vehicle registration fee (£55.00), fuel (£50.00 incl. VAT), and number plates (£25.00 incl. VAT). VAT is calculated at the standard rate of 20%. Some of the model features, optional extras and colours shown may not be available, or may only be available in a different specification, or at a different price. <sup>2</sup>The indicated values were determined according to the prescribed measurement method - Worldwide Harmonised Light Vehicle Test Procedure (WLTP). Figures shown may include options which are not available in the UK. For Plug-in Hybrid Electric Vehicle (PHEV) figures determined with the battery fully charged, using a combination of both battery power and fuel. These models require mains electricity for charging. <sup>3</sup>Specified voltage and current values refer to network infrastructure and can be limited by the vehicle. Times are from 10–100% charge using a wallbox (three-phase) or standard socket (single-phase). <sup>4</sup>The certified electrical consumption is generally determined at maximum AC charging capacity using a Mode 3 cable. It is therefore recommended that vehicles with a HV battery preferably be charged at a wallbox or an AC charging station with a Mode 3 cable in order to achieve shorter charging times and improved charging efficiency.

# MB.CHARGE Public<sup>1</sup> One registration, one contract, one billing.

MB.CHARGE Public<sup>1</sup> provides access to a multitude of public charging stations located in shopping centres, hotels or at motorway services. A smartphone app as well as the vehicle's navigation system show the precise location, current availability and price at the selected charging station.

## Tens of thousands charging stations in the UK

Growing network of charging providers includes bp pulse the largest charging network in the UK.



## Access to fast-charging stations

Enables customers to get access to charging stations of different providers with:

- Mercedes-Benz app
- RFID card
- Vehicle Head unit

## Green charging

All charging using MB.CHARGE Public<sup>1</sup> will be retrospectively 'greened' by Mercedes-Benz. Please click [here](#) for more info.

## Transparent and easy billing

One invoice charging processes for payment.

## Easy access

Charging stations are displayed in Mercedes-Benz app and in MBUX multimedia system.

## No fees

MB.CHARGE Public<sup>1</sup> is standard for one year with discounted IONITY rapid-charging for one year.



<sup>1</sup>The connection of the communication module to the mobile phone network including the emergency call system depends on the respective network coverage and availability of network providers you not wish to continue with the tariff, your cancellation rights and current pricing can be found <https://eu.charge.mercedes-benz.com/web/en/mb-gb/tariffs>

Price information is not guaranteed and is subject to change. Please be aware that this tariff will automatically renew after the 1 year promotion period - for definitive pricing information or should



# MB.CHARGE Public<sup>1</sup> Tariffs

For more transparency and predictability, enjoy numerous features tailored to your charging habits with the MB.CHARGE Public<sup>1</sup> fixed-priced tariffs S, M and L. Owners of a new Plug-in Hybrid model will be entitled to the MB.CHARGE Public<sup>1</sup> tariff M free of charge for the duration of 12 months.

## Tariff L

Recommended for 'frequent drivers'

Choose our tariff L to benefit from the best fixed prices for public charging, including discounted rapid-charging at IONITY charging stations as well as all MB.CHARGE Public<sup>1</sup> features. This tariff is recommended for frequent and long-distance drivers.

Consisting of:

- All MB.CHARGE Public<sup>1</sup> features
- Fixed prices per kWh (AC: £0.45/kWh, after 300 mins + £0.06/min; DC: £0.62/kWh)<sup>2</sup>
- IONITY rapid-charging stations discounted (£0.53/kWh)

**£10.90/month**

## Tariff M

Recommended for 'regular drivers'

Owners of a new Plug-in Hybrid model are entitled to the tariff M free of charge for 12 months, benefitting from fixed prices, discounted rapid-charging at IONITY charging stations and complete transparency. This tariff is recommended for regular drivers.

Consisting of:

- All MB.CHARGE Public<sup>1</sup> features
- Fixed prices per kWh (AC: £0.52/kWh, after 300 mins + £0.06/min; DC: £0.69/kWh)<sup>2</sup>
- IONITY rapid-charging stations discounted (£0.60/kWh)

**Free of charge for the duration of 12 months.**

**Thereafter:**

**£4.90/month**

## Tariff S

Recommended for 'casual drivers'

Should you wish to downgrade your tariff package after 12 months, there is the option to go for tariff S, which still offers you all the MB.CHARGE Public<sup>1</sup> features based on flexible prices per kWh. This tariff is recommended for casual drivers.

Consisting of:

- All MB.CHARGE Public<sup>1</sup> features
- Flexible prices per kWh

**£0/month**



<sup>1</sup>The connection of the communication module to the mobile phone network including the emergency call system depends on the respective network coverage and availability of network providers <sup>2</sup>Tariff rate excludes the BP Pulse charging network Price information is not guaranteed and is subject to change. Please be aware that this tariff will automatically renew after the 1 year promotion period - for definitive pricing information or should you not wish to continue with the tariff, your cancellation rights and current pricing can be found <https://eu.charge.mercedes-benz.com/web/en/mb-gb/tariffs>

Design	Technology	Plug-in Hybrid	Model lines	Upholstery	Model prices	Mercedes-AMG	Mercedes-AMG upholstery	Mercedes-AMG prices	Personalisation	Standard equipment	Technical data	Additional information
--------	------------	----------------	-------------	------------	--------------	--------------	-------------------------	---------------------	-----------------	--------------------	----------------	------------------------

# Next generation of home EV charging with Ohme

Mercedes-Benz plug-in vehicle customers with off-street parking can benefit from the convenience and speed of charging at home by installing an Ohme charger.

## Home charging with Ohme: from £925\* incl. VAT and standard installation

### Key benefits of Ohme:

Ohme specialise in providing future-proof electric vehicle charging solutions, in particular smart, affordable and easy-to-use charging products.

Save money: If you have a time-of-use tariff or a variable tariff, you'll pay less for your electricity at certain times of the day. Ohme uses your tariff information to charge your vehicle when the price is low to maximise your savings.

Ohme is the only EV charging provider to integrate with all energy tariffs, including Intelligent Octopus and OVO Charge Anytime – the next generation, smart EV charging tariffs.

Easy installation process.

Choice of tethered or untethered units.

Award-winning customer service – check Trustpilot for more information.

A 3-year warranty is included.

Connect your charger to the Ohme smartphone app to unlock smarter and cheaper charging at home. Easy-to-use, the Ohme app will give you full control to get more from your EV.

Ohme's chargers are compliant with the UK New Smart Charger Regulations for complete peace of mind.

### OZEV Grant:

You may be entitled to claim for an OZEV grant towards the cost of your home charger!  
To find out whether you are entitled please contact your local Mercedes-Benz Agent.

### Questions?

Please contact your local Mercedes-Benz Agent to submit an enquiry to your chosen charging partner on your behalf. To find your local Mercedes-Benz Agent, please click the button at the top right hand corner.

### Warning!

If you are planning to charge your Mercedes-Benz plug-in electric vehicle using a 3-pin domestic plug socket you must get a qualified electrician to inspect and sign off the socket to confirm it is safe and suitable to charge your vehicle. Do not use an electric vehicle 3-pin charge cable with an extension cord.



\*Price excludes £350 OZEV EVHS Grant. Price correct at time of publication, subject to change  
†The home charger £350 Grant (including VAT) is only available to customers who meet the criteria of the Office for Zero Emission Vehicles (OZEV). For full details and eligibility criteria for the OZEV EVHS Grant, see <https://www.gov.uk/government/publications/electric-vehicle-homecharge-scheme-guidance-for-customers-version-21>.



# Home charging with Pod Point Simple, convenient, fast charging.

Mercedes-Benz plug-in vehicle customers with off-street parking can benefit from the convenience and speed of charging at home by installing a Pod Point home charger.

## Home charging with Pod Point: from £925\* incl. VAT and standard installation

For full terms and conditions please visit <https://pod-point.com/legal/home-charger-terms-of-sale>

### Key benefits of Pod Point:

Pod Point is one of the leading provider of EV charging in the UK with over 250,000 home chargepoints installed.

Auto Power Balancing lets you adjust your charge so that your electrical supply doesn't get overloaded when your home is using a lot of energy.

Built-in earthing protection removes the needs for expensive earth rods.

Choice of tethered or untethered units; £925 for a 7 kW universal, and £975 for 7 kW tethered.

The Pod Point public network consists of over 9,200 charging bays across the UK.

5 year warranty as standard, free of charge.

The standard installation package includes up to 15m of external cabling.

Utilise charge scheduling in conjunction with an off-peak EV tariff to reduce your charging costs by up to 70% compared with the current Energy Price Cap.<sup>1</sup>

### OZEV Grant:

You may be entitled to claim for an OZEV grant towards the cost of your home charger.<sup>2</sup>

To find out whether you are entitled please contact your local Mercedes-Benz Agent.

### Questions?

Please contact your local Mercedes-Benz Agent to submit an enquiry to your chosen charging partner on your behalf. To find your local Mercedes-Benz Agent, please click the button at the top right hand corner.

### Warning!

If you are planning to charge your Mercedes-Benz plug-in electric vehicle using a 3-pin domestic plug socket you must get a qualified electrician to inspect and sign off the socket to confirm it is safe and suitable to charge your vehicle. Do not use an electric vehicle 3-pin charge cable with an extension cord.



<sup>1</sup>Price excludes £350 OZEV EVHS Grant. Price correct at time of publication, subject to change <sup>2</sup>Based on an off-peak tariff of 8 p/kWh compared with the energy price cap until 31 March 2025 of 24.86 p/kWh <sup>3</sup>The home charger £350 Grant (including VAT) is only available to customers who meet the criteria of the Office for Zero Emission Vehicles (OZEV). For full details and eligibility criteria for the OZEV EVHS Grant, see <https://www.gov.uk/government/publications/electric-vehicle-homecharge-scheme-guidance-for-customers-version-21>.



Book a test drive



Find your CLE



Find a Showroom

# CLE Model lines overview

## AMG Line »



## AMG Line Premium »



## AMG Line Premium Plus »



## Premier Edition »



Design	Technology	Plug-in Hybrid	Model lines	Upholstery	Model prices	Mercedes-AMG	Mercedes-AMG upholstery	Mercedes-AMG prices	Personalisation	Standard equipment	Technical data	Additional information
--------	------------	----------------	-------------	------------	--------------	--------------	-------------------------	---------------------	-----------------	--------------------	----------------	------------------------



# AMG Line Standard equipment highlights



Option shown: MANUFAKTUR patagonia red metallic (code 993)

### Engine, Transmission and Suspension

AGILITY CONTROL sports suspension - lowered by 15 mm

DYNAMIC SELECT with a choice of driving modes: 'Eco', 'Comfort', 'Sport' and 'Individual'

Coupé OTR from **£46,620<sup>1</sup>**  
 Cabriolet OTR from **£53,030<sup>1</sup>**

<sup>1</sup>The recommended on-the-road price includes the Road Fund Licence applicable to the standard model plus delivery charge (£730.00 incl. VAT), new vehicle registration fee (£55.00), fuel (£50.00 incl. VAT), and number plates (£25.00 incl. VAT). VAT is calculated at the standard rate of 20%. Some of the model features, optional extras and colours shown may not be available, or may only be available in a different specification, or at a different price



Option shown: MANUFAKTUR patagonia red metallic (code 993)

### Exterior

18" AMG alloy wheels - 5-twin-spoke design, aerodynamically optimised, painted black with a high-sheen finish (code RSK)

Ambient lighting with projection of brand logo

AMG Line exterior

Cabriolet Comfort package - including AIRCAP, AIRSCARF and automatic boot separator (Cabriolet only)

Fabric acoustic soft top (Cabriolet only)

Heat-insulating, dark-tinted glass

LED High-Performance headlamps with Adaptive Highbeam Assist

Mirror package - electrically-folding exterior mirrors and automatically-dimming rear-view mirror

Summer tyres



Design	Technology	Plug-in Hybrid	Model lines	Upholstery	Model prices	Mercedes-AMG	Mercedes-AMG upholstery	Mercedes-AMG prices	Personalisation	Standard equipment	Technical data	Additional information
--------	------------	----------------	-------------	------------	--------------	--------------	-------------------------	---------------------	-----------------	--------------------	----------------	------------------------



**Interior**

Ambient Lighting Premium

AMG Line interior

Belt feeder

Illuminated door sill panels with 'Mercedes-Benz' lettering

Interior Light package

KEYLESS-GO

Memory package

Seats – four-way lumbar support

Seats – heated, front

THERMATIC automatic climate control

**Communications and In-Car Entertainment**

Smartphone integration<sup>1</sup> including Apple CarPlay® and Android Auto™

USB package Plus

Wireless charging<sup>1</sup>

<sup>1</sup>Compatible mobile phone required

**Safety and Assistance Systems**

Blind Spot Assist

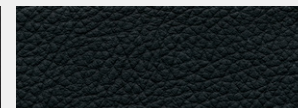
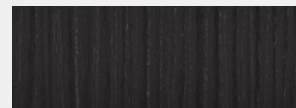
Parking package with reversing camera

Traffic Sign Assist

**Trim and Upholstery**

Anthracite linestructure wood trim

Leather – black





# AMG Line Premium Standard equipment highlights



Option shown: high-tech silver metallic (code 922)

Coupé OTR from **£50,370<sup>1</sup>**  
 Upgrade price from AMG Line £3,750  
 Cabriolet OTR from **£54,780<sup>1</sup>**  
 Upgrade price from AMG Line £1,750

<sup>1</sup>The recommended on-the-road price includes the Road Fund Licence applicable to the standard model plus delivery charge (£730.00 incl. VAT), new vehicle registration fee (£55.00), fuel (£50.00 incl. VAT), and number plates (£25.00 incl. VAT). VAT is calculated at the standard rate of 20%. Some of the model features, optional extras and colours shown may not be available, or may only be available in a different specification, or at a different price



Option shown: high-tech silver metallic (code 922)

In addition to/replacement of AMG Line:

**Exterior**

19" AMG alloy wheels – multi-spoke design, aerodynamically optimised, painted black with a high-shine finish (code RVA)

DIGITAL LIGHT with Adaptive Highbeam Assist Plus

KEYLESS-GO Convenience package with hands free access (Coupé only)

Panoramic sliding sunroof (Coupé only)

Summer tyres

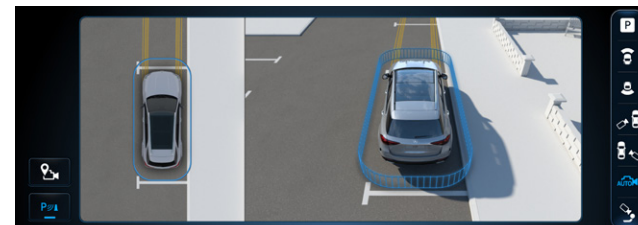


Design	Technology	Plug-in Hybrid	Model lines	Upholstery	Model prices	Mercedes-AMG	Mercedes-AMG upholstery	Mercedes-AMG prices	Personalisation	Standard equipment	Technical data	Additional information
--------	------------	----------------	-------------	------------	--------------	--------------	-------------------------	---------------------	-----------------	--------------------	----------------	------------------------



### Safety and Assistance Systems

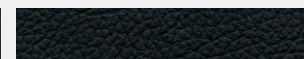
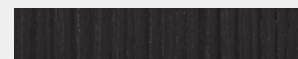
Parking package with 360° camera



### Trim and Upholstery

Anthracite linestructure wood trim

Leather - black





# AMG Line Premium Plus Standard equipment highlights



Option shown: MANUFAKTUR alpine grey solid (code 956)

In addition to/replacement of AMG Line Premium:

### Exterior

20" AMG alloy wheels – multi-spoke design, aerodynamically optimised, painted black with a high-shine finish (code RVM) (excluding CLE 300 e)

19" AMG alloy wheels – multi-spoke design, aerodynamically optimised, painted black with a high-shine finish (code RVA) (CLE 300 e only)

Summer tyres



Option shown: MANUFAKTUR alpine grey solid (code 956)



Code RVM



Code RVA

Coupé OTR from **£54,370<sup>1</sup>**  
 Cabriolet OTR from **£58,780<sup>1</sup>**  
 Upgrade price from AMG Line Premium **£4,000**

<sup>1</sup>The recommended on-the-road price includes the Road Fund Licence applicable to the standard model plus delivery charge (£730.00 incl. VAT), new vehicle registration fee (£55.00), fuel (£50.00 incl. VAT), and number plates (£25.00 incl. VAT). VAT is calculated at the standard rate of 20%. Some of the model features, optional extras and colours shown may not be available, or may only be available in a different specification, or at a different price

Design	Technology	Plug-in Hybrid	Model lines	Upholstery	Model prices	Mercedes-AMG	Mercedes-AMG upholstery	Mercedes-AMG prices	Personalisation	Standard equipment	Technical data	Additional information
--------	------------	----------------	-------------	------------	--------------	--------------	-------------------------	---------------------	-----------------	--------------------	----------------	------------------------



Burmester® 3D surround sound system



ENERGIZING package Plus

**Interior**

AIR-BALANCE package – fragrance generator, ioniser and improved filter system

ENERGIZING package Plus – heated, multicontour and climatized front seats, 7 ENERGIZING Comfort packages and ENERGIZING COACH

Seats – multi-contour and climatized, front

**Communications and In-Car Entertainment**

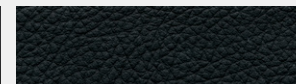
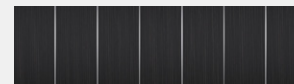
Head-up display

Burmester® 3D surround sound system with sound personalisation

**Trim and Upholstery**

Black open-pore aluminium lines wood trim

Leather – black





# Premier Edition Standard equipment highlights (Cabriolet – limited stock)



Option shown: spectral blue metallic (code 970)

In addition to/replacement of AMG Line Premium Plus:

**Exterior**

20" AMG alloy wheels – multi-spoke design, aerodynamically optimised, painted black with a high-sheen rim flange (code RVN) (excluding CLE 300 e)

19" AMG alloy wheels – multi-spoke design, aerodynamically optimised, painted black with a high-sheen rim flange (code RVB) (CLE 300 e only)

Night package

Summer tyres



Option shown: spectral blue metallic (code 970)



Code RVN



Code RVB

Coupé OTR from **£56,870<sup>1</sup>**  
 Cabriolet OTR from **£61,280<sup>1</sup>**  
 Upgrade price from AMG Line Premium Plus **£2,500**

<sup>1</sup>The recommended on-the-road price includes the Road Fund Licence applicable to the standard model plus delivery charge (£730.00 incl. VAT), new vehicle registration fee (£55.00), fuel (£50.00 incl. VAT), and number plates (£25.00 incl. VAT). VAT is calculated at the standard rate of 20%. Some of the model features, optional extras and colours shown may not be available, or may only be available in a different specification, or at a different price

Design	Technology	Plug-in Hybrid	Model lines	Upholstery	Model prices	Mercedes-AMG	Mercedes-AMG upholstery	Mercedes-AMG prices	Personalisation	Standard equipment	Technical data	Additional information
--------	------------	----------------	-------------	------------	--------------	--------------	-------------------------	---------------------	-----------------	--------------------	----------------	------------------------

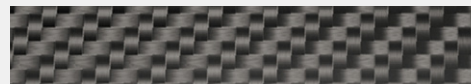


#### Interior

Heated steering wheel

#### Trim and Upholstery

Carbon fibre trim



Nappa leather - black





# Upholstery

● Standard   □ No-cost option   – Not available



**201A Leather<sup>1</sup> – black**

AMG Line	●
AMG Line Premium	●
AMG Line Premium Plus	●
Premier Edition	–



**204A Leather<sup>1</sup> – tonka brown/black**

AMG Line	□
AMG Line Premium	□
AMG Line Premium Plus	□
Premier Edition	–



**205A Leather<sup>1</sup> – macchiato beige/black**

AMG Line	□
AMG Line Premium	□
AMG Line Premium Plus	□
Premier Edition	–



**207A Leather<sup>1</sup> – power red/black**

AMG Line	□
AMG Line Premium	□
AMG Line Premium Plus	□
Premier Edition	–

<sup>1</sup>At least 80% of the seat upholstery is pure leather, while up to 20% may consist of man-made leather

# Upholstery

Standard
  No-cost option
  Not available



**801A Nappa leather<sup>1</sup> – black**

AMG Line	–
AMG Line Premium	–
AMG Line Premium Plus	–
Premier Edition	●



**804A Nappa leather<sup>1</sup> – tonka brown/black**

AMG Line	–
AMG Line Premium	–
AMG Line Premium Plus	–
Premier Edition	□

<sup>1</sup>100% of seat upholstery is pure leather



[Book a test drive](#)[Find your CLE](#)[Find a Showroom](#)

# Model prices Coupé

**VED and BIK applicable for registrations up to 31 March 2025**

Model line	Engine	Transmission	CO <sub>2</sub> WLTP <sup>1</sup>	Basic RRP excl. VAT (£)	Total RRP incl. VAT (£)	Road Fund Licence (£) <sup>2</sup> WLTP	Rec. OTR price (£) <sup>3</sup> WLTP	P11D value (£)	BIK tax rate 2024/25 (%) <sup>2</sup>
<b>AMG Line</b>									
CLE200	Petrol - 1,999 cc, 4-cylinder, 204 hp/150 kW Mild hybrid drive - 22 hp/17 kW	9G-TRONIC PLUS 9-speed auto.	145	37,916.67	45,500.00	260.00	<b>46,620.00</b>	46,305.00	34
CLE220 d	Diesel - 1,993 cc, 4-cylinder, 197 hp/145 kW Mild hybrid drive - 22 hp/17 kW	9G-TRONIC PLUS 9-speed auto.	123	40,000.00	48,000.00	210.00	<b>49,070.00</b>	48,805.00	29
<b>AMG Line Premium</b>									
CLE200	Petrol - 1,999 cc, 4-cylinder, 204 hp/150 kW Mild hybrid drive - 22 hp/17 kW	9G-TRONIC PLUS 9-speed auto.	148	41,041.67	49,250.00	260.00	<b>50,370.00</b>	50,055.00	34
CLE220 d	Diesel - 1,993 cc, 4-cylinder, 197 hp/145 kW Mild hybrid drive - 22 hp/17 kW	9G-TRONIC PLUS 9-speed auto.	125	43,125.00	51,750.00	210.00	<b>52,820.00</b>	52,555.00	30
CLE300 4MATIC	Petrol - 1,999 cc, 4-cylinder, 258 hp/190 kW Mild hybrid drive - 22 hp/17 kW	9G-TRONIC PLUS 9-speed auto.	162	45,208.33	54,250.00	670.00	<b>55,780.00</b>	55,055.00	37
CLE300 e	Petrol - 1,999 cc, 4-cylinder, 204 hp/129 kW Electric motor - 150 hp/95 kW	9G-TRONIC PLUS 9-speed auto.	13	49,791.67	59,750.00	0.00	<b>60,610.00</b>	60,555.00	8
CLE450 4MATIC	Petrol - 2,999 cc, 6-cylinder, 381 hp/280 kW Mild hybrid drive - 22 hp/17 kW	9G-TRONIC PLUS 9-speed auto.	175	53,645.83	64,375.00	1,085.00	<b>66,320.00</b>	65,180.00	37

<sup>1</sup>The indicated values were determined according to the prescribed measurement method - Worldwide Harmonised Light Vehicle Test Procedure (WLTP). Figures shown may include options which are not available in the UK. Figures shown are for comparability purposes; only compare with other cars tested to the same technical procedures. Figures may not reflect real life driving results, which will depend upon a number of factors including the starting charge of the battery, factory-fitted options, accessories fitted (post registration), variations in weather, driving styles and vehicle load. Further information about the test used to establish fuel consumption and CO<sub>2</sub> figures can be found at <http://www.mercedes-benz.co.uk/WLTP> <sup>2</sup>A different first year rate of Vehicle Excise Duty (Road Fund Licence) applies for new cars. Please refer to page 69 for the relevant rate for the second and subsequent years <sup>3</sup>The recommended on-the-road price includes the Road Fund Licence applicable to the standard model plus delivery charge (£730.00 incl. VAT), new vehicle registration fee (£55.00), fuel (£50.00 incl. VAT), and number plates (£25.00 incl. VAT). VAT is calculated at the standard rate of 20%. Some of the model features, optional extras and colours shown may not be available, or may only be available in a different specification, or at a different price

Design	Technology	Plug-in Hybrid	Model lines	Upholstery	Model prices	Mercedes-AMG	Mercedes-AMG upholstery	Mercedes-AMG prices	Personalisation	Standard equipment	Technical data	Additional information
--------	------------	----------------	-------------	------------	--------------	--------------	-------------------------	---------------------	-----------------	--------------------	----------------	------------------------

[Book a test drive](#)[Find your CLE](#)[Find a Showroom](#)

# Model prices Coupé

**VED and BIK applicable for registrations up to 31 March 2025**

Model line	Engine	Transmission	CO <sub>2</sub> WLTP <sup>1</sup>	Basic RRP excl. VAT (£)	Total RRP incl. VAT (£)	Road Fund Licence (£) <sup>2</sup> WLTP	Rec. OTR price (£) <sup>3</sup> WLTP	P11D value (£)	BIK tax rate 2024/25 (%) <sup>2</sup>
<b>AMG Line Premium Plus</b>									
CLE200	Petrol – 1,999 cc, 4-cylinder, 204 hp/150 kW Mild hybrid drive – 22 hp/17 kW	9G-TRONIC PLUS 9-speed auto.	148	44,375.00	53,250.00	260.00	<b>54,370.00</b>	54,055.00	34
CLE220 d	Diesel – 1,993 cc, 4-cylinder, 197 hp/145 kW Mild hybrid drive – 22 hp/17 kW	9G-TRONIC PLUS 9-speed auto.	125	46,458.33	55,750.00	210.00	<b>56,820.00</b>	56,555.00	30
CLE300 4MATIC	Petrol – 1,999 cc, 4-cylinder, 258 hp/190 kW Mild hybrid drive – 22 hp/17 kW	9G-TRONIC PLUS 9-speed auto.	162	48,541.67	58,250.00	670.00	<b>59,780.00</b>	59,055.00	37
CLE300 e	Petrol – 1,999 cc, 4-cylinder, 204 hp/129 kW Electric motor – 150 hp/95 kW	9G-TRONIC PLUS 9-speed auto.	13	53,125.00	63,750.00	0.00	<b>64,610.00</b>	64,555.00	8
CLE450 4MATIC	Petrol – 2,999 cc, 6-cylinder, 381 hp/280 kW Mild hybrid drive – 22 hp/17 kW	9G-TRONIC PLUS 9-speed auto.	175	56,979.17	68,375.00	1,085.00	<b>70,320.00</b>	69,180.00	37

<b>Premier Edition</b>									
CLE200	Petrol – 1,999 cc, 4-cylinder, 204 hp/150 kW Mild hybrid drive – 22 hp/17 kW	9G-TRONIC PLUS 9-speed auto.	148	46,458.33	55,750.00	260.00	<b>56,870.00</b>	56,555.00	34
CLE220 d	Diesel – 1,993 cc, 4-cylinder, 197 hp/145 kW Mild hybrid drive – 22 hp/17 kW	9G-TRONIC PLUS 9-speed auto.	125	48,541.67	58,250.00	210.00	<b>59,320.00</b>	59,055.00	30
CLE300 4MATIC	Petrol – 1,999 cc, 4-cylinder, 258 hp/190 kW Mild hybrid drive – 22 hp/17 kW	9G-TRONIC PLUS 9-speed auto.	162	50,625.00	60,750.00	670.00	<b>62,280.00</b>	61,555.00	37
CLE300 e	Petrol – 1,999 cc, 4-cylinder, 204 hp/129 kW Electric motor – 150 hp/95 kW	9G-TRONIC PLUS 9-speed auto.	13	55,208.33	66,250.00	0.00	<b>67,110.00</b>	67,055.00	8
CLE450 4MATIC	Petrol – 2,999 cc, 6-cylinder, 381 hp/280 kW Mild hybrid drive – 22 hp/17 kW	9G-TRONIC PLUS 9-speed auto.	175	59,062.50	70,875.00	1,085.00	<b>72,820.00</b>	71,680.00	37

<sup>1</sup>The indicated values were determined according to the prescribed measurement method - Worldwide Harmonised Light Vehicle Test Procedure (WLTP). Figures shown may include options which are not available in the UK. Figures shown are for comparability purposes; only compare with other cars tested to the same technical procedures. Figures may not reflect real life driving results, which will depend upon a number of factors including the starting charge of the battery, factory-fitted options, accessories fitted (post registration), variations in weather, driving styles and vehicle load. Further information about the test used to establish fuel consumption and CO<sub>2</sub> figures can be found at <http://www.mercedes-benz.co.uk/WLTP> <sup>2</sup>A different first year rate of Vehicle Excise Duty (Road Fund Licence) applies for new cars. Please refer to page 69 for the relevant rate for the second and subsequent years <sup>3</sup>The recommended on-the-road price includes the Road Fund Licence applicable to the standard model plus delivery charge (£730.00 incl. VAT), new vehicle registration fee (£55.00), fuel (£50.00 incl. VAT), and number plates (£25.00 incl. VAT). VAT is calculated at the standard rate of 20%. Some of the model features, optional extras and colours shown may not be available, or may only be available in a different specification, or at a different price

Design	Technology	Plug-in Hybrid	Model lines	Upholstery	Model prices	Mercedes-AMG	Mercedes-AMG upholstery	Mercedes-AMG prices	Personalisation	Standard equipment	Technical data	Additional information
--------	------------	----------------	-------------	------------	--------------	--------------	-------------------------	---------------------	-----------------	--------------------	----------------	------------------------



[Book a test drive](#)[Find your CLE](#)[Find a Showroom](#)

# Model prices Cabriolet

**VED and BIK applicable for registrations up to 31 March 2025**

Model line	Engine	Transmission	CO <sub>2</sub> WLTP <sup>1</sup>	Basic RRP excl. VAT (£)	Total RRP incl. VAT (£)	Road Fund Licence (£) <sup>2</sup> WLTP	Rec. OTR price (£) <sup>3</sup> WLTP	P11D value (£)	BIK tax rate 2024/25 (%) <sup>2</sup>
<b>AMG Line</b>									
CLE200	Petrol - 1,999 cc, 4-cylinder, 204 hp/150 kW Mild hybrid drive 22 hp/17 kW	9G-TRONIC PLUS 9-speed auto.	152	42,916.67	51,500.00	670.00	<b>53,030.00</b>	52,305.00	35
CLE220 d	Diesel - 1,993 cc, 4-cylinder, 197 hp/145 kW Mild hybrid drive 22 hp/17 kW	9G-TRONIC PLUS 9-speed auto.	128	45,000.00	54,000.00	210.00	<b>55,070.00</b>	54,805.00	30
<b>AMG Line Premium</b>									
CLE200	Petrol - 1,999 cc, 4-cylinder, 204 hp/150 kW Mild hybrid drive 22 hp/17 kW	9G-TRONIC PLUS 9-speed auto.	154	44,375.00	53,250.00	670.00	<b>54,780.00</b>	54,055.00	35
CLE220 d	Diesel - 1,993 cc, 4-cylinder, 197 hp/145 kW Mild hybrid drive 22 hp/17 kW	9G-TRONIC PLUS 9-speed auto.	129	46,458.33	55,750.00	210.00	<b>56,820.00</b>	56,555.00	30
CLE300 4MATIC	Petrol - 1,999 cc, 4-cylinder, 258 hp/190 kW Mild hybrid drive 22 hp/17 kW	9G-TRONIC PLUS 9-speed auto.	167	48,541.67	58,250.00	670.00	<b>59,780.00</b>	59,055.00	37
CLE450 4MATIC	Petrol - 2,999 cc, 6-cylinder, 381 hp/280 kW Mild hybrid drive 22 hp/17 kW	9G-TRONIC PLUS 9-speed auto.	181	56,979.17	68,375.00	1,085.00	<b>70,320.00</b>	69,180.00	37

<sup>1</sup>The indicated values were determined according to the prescribed measurement method - Worldwide Harmonised Light Vehicle Test Procedure (WLTP). Figures shown may include options which are not available in the UK. Figures shown are for comparability purposes; only compare with other cars tested to the same technical procedures. Figures may not reflect real life driving results, which will depend upon a number of factors including the starting charge of the battery, factory-fitted options, accessories fitted (post registration), variations in weather, driving styles and vehicle load. Further information about the test used to establish fuel consumption and CO<sub>2</sub> figures can be found at <http://www.mercedes-benz.co.uk/WLTP> <sup>2</sup>A different first year rate of Vehicle Excise Duty (Road Fund Licence) applies for new cars. Please refer to page 69 for the relevant rate for the second and subsequent years <sup>3</sup>The recommended on-the-road price includes the Road Fund Licence applicable to the standard model plus delivery charge (£730.00 incl. VAT), new vehicle registration fee (£55.00), fuel (£50.00 incl. VAT), and number plates (£25.00 incl. VAT). VAT is calculated at the standard rate of 20%. Some of the model features, optional extras and colours shown may not be available, or may only be available in a different specification, or at a different price

Design	Technology	Plug-in Hybrid	Model lines	Upholstery	Model prices	Mercedes-AMG	Mercedes-AMG upholstery	Mercedes-AMG prices	Personalisation	Standard equipment	Technical data	Additional information
--------	------------	----------------	-------------	------------	--------------	--------------	-------------------------	---------------------	-----------------	--------------------	----------------	------------------------

[Book a test drive](#)[Find your CLE](#)[Find a Showroom](#)

# Model prices Cabriolet

**VED and BIK applicable for registrations up to 31 March 2025**

Model line	Engine	Transmission	CO <sub>2</sub> WLTP <sup>1</sup>	Basic RRP excl. VAT (£)	Total RRP incl. VAT (£)	Road Fund Licence (£) <sup>2</sup> WLTP	Rec. OTR price (£) <sup>3</sup> WLTP	P11D value (£)	BIK tax rate 2024/25 (%) <sup>2</sup>
<b>AMG Line Premium Plus</b>									
CLE200	Petrol – 1,999 cc, 4-cylinder, 204 hp/150 kW Mild hybrid drive 22 hp/17 kW	9G-TRONIC PLUS 9-speed auto.	154	47,708.33	57,250.00	670.00	<b>58,780.00</b>	58,055.00	35
CLE220 d	Diesel – 1,993 cc, 4-cylinder, 197 hp/145 kW Mild hybrid drive 22 hp/17 kW	9G-TRONIC PLUS 9-speed auto.	130	49,791.67	59,750.00	210.00	<b>60,820.00</b>	60,555.00	31
CLE300 4MATIC	Petrol – 1,999 cc, 4-cylinder, 258 hp/190 kW Mild hybrid drive 22 hp/17 kW	9G-TRONIC PLUS 9-speed auto.	167	51,875.00	62,250.00	670.00	<b>63,780.00</b>	63,055.00	37
CLE450 4MATIC	Petrol – 2,999 cc, 6-cylinder, 381 hp/280 kW Mild hybrid drive 22 hp/17 kW	9G-TRONIC PLUS 9-speed auto.	181	60,312.50	72,375.00	1,085.00	<b>74,320.00</b>	73,180.00	37
<b>Premier Edition</b>									
CLE200	Petrol – 1,999 cc, 4-cylinder, 204 hp/150 kW Mild hybrid drive 22 hp/17 kW	9G-TRONIC PLUS 9-speed auto.	154	49,791.67	59,750.00	670.00	<b>61,280.00</b>	60,555.00	35
CLE220 d	Diesel – 1,993 cc, 4-cylinder, 197 hp/145 kW Mild hybrid drive 22 hp/17 kW	9G-TRONIC PLUS 9-speed auto.	130	51,875.00	62,250.00	210.00	<b>63,320.00</b>	63,055.00	31
CLE300 4MATIC	Petrol – 1,999 cc, 4-cylinder, 258 hp/190 kW Mild hybrid drive 22 hp/17 kW	9G-TRONIC PLUS 9-speed auto.	167	53,958.33	64,750.00	670.00	<b>66,280.00</b>	65,555.00	37
CLE450 4MATIC	Petrol – 2,999 cc, 6-cylinder, 381 hp/280 kW Mild hybrid drive 22 hp/17 kW	9G-TRONIC PLUS 9-speed auto.	181	62,395.83	74,875.00	1,085.00	<b>76,820.00</b>	75,680.00	37

<sup>1</sup>The indicated values were determined according to the prescribed measurement method - Worldwide Harmonised Light Vehicle Test Procedure (WLTP). Figures shown may include options which are not available in the UK. Figures shown are for comparability purposes; only compare with other cars tested to the same technical procedures. Figures may not reflect real life driving results, which will depend upon a number of factors including the starting charge of the battery, factory-fitted options, accessories fitted (post registration), variations in weather, driving styles and vehicle load. Further information about the test used to establish fuel consumption and CO<sub>2</sub> figures can be found at <http://www.mercedes-benz.co.uk/WLTP> <sup>2</sup>A different first year rate of Vehicle Excise Duty (Road Fund Licence) applies for new cars. Please refer to page 69 for the relevant rate for the second and subsequent years <sup>3</sup>The recommended on-the-road price includes the Road Fund Licence applicable to the standard model plus delivery charge (£730.00 incl. VAT), new vehicle registration fee (£55.00), fuel (£50.00 incl. VAT), and number plates (£25.00 incl. VAT). VAT is calculated at the standard rate of 20%. Some of the model features, optional extras and colours shown may not be available, or may only be available in a different specification, or at a different price

Design	Technology	Plug-in Hybrid	Model lines	Upholstery	Model prices	Mercedes-AMG	Mercedes-AMG upholstery	Mercedes-AMG prices	Personalisation	Standard equipment	Technical data	Additional information
--------	------------	----------------	-------------	------------	--------------	--------------	-------------------------	---------------------	-----------------	--------------------	----------------	------------------------





Book a test drive



Find your CLE



Find a Showroom



CLE

# Mercedes-AMG

Design	Technology	Plug-in Hybrid	Model lines	Upholstery	Model prices	Mercedes-AMG	Mercedes-AMG upholstery	Mercedes-AMG prices	Personalisation	Standard equipment	Technical data	Additional information
--------	------------	----------------	-------------	------------	--------------	--------------	-------------------------	---------------------	-----------------	--------------------	----------------	------------------------

# Mercedes-AMG Model lines overview



Mercedes-AMG CLE53 4MATIC+ AMG Premium »



Mercedes-AMG CLE53 4MATIC+ AMG Night Edition Premium Plus »



<a href="#">Design</a>	<a href="#">Technology</a>	<a href="#">Plug-in Hybrid</a>	<a href="#">Model lines</a>	<a href="#">Upholstery</a>	<a href="#">Model prices</a>	<a href="#">Mercedes-AMG</a>	<a href="#">Mercedes-AMG upholstery</a>	<a href="#">Mercedes-AMG prices</a>	<a href="#">Personalisation</a>	<a href="#">Standard equipment</a>	<a href="#">Technical data</a>	<a href="#">Additional information</a>
------------------------	----------------------------	--------------------------------	-----------------------------	----------------------------	------------------------------	------------------------------	---	-------------------------------------	---------------------------------	------------------------------------	--------------------------------	--

# Mercedes-AMG CLE 53 4MATIC+ AMG Premium

Standard equipment highlights



Option shown: MANUFAKTUR opalite white bright metallic (code 885)

## Engine, Transmission and Suspension

9G-TRONIC PLUS 9-speed automatic transmission

AMG RIDE CONTROL suspension

Driving modes – AMG DYNAMIC SELECT with a choice of five driving modes (Slippery, Comfort, Sport, Sport+, Individual)

**Coupé OTR from £73,075<sup>1</sup>**  
**Cabriolet OTR from £77,075<sup>1</sup>**



Option shown: MANUFAKTUR opalite white bright metallic (code 885)

## Exterior

20" AMG alloy wheels – Y-spoke design, aerodynamically optimised, painted matt black with a high-sheen finish (code RTM)

AMG fuel cap

AMG spoiler (Coupé: code U95; Cabriolet: code U47)

Brake callipers – grey painted

Cabriolet Comfort package – including AIRCAP, AIRSCARF and automatic boot separator (Cabriolet only)

DIGITAL LIGHT LED headlamps with Adaptive Highbeam Assist Plus

Flared wheel arches

KEYLESS-GO Convenience package with hands free access (Coupé only)

Mercedes-AMG exterior

Panoramic glass sliding sunroof (Coupé only)

Rear axle steering

Summer tyres



<sup>1</sup>The recommended on-the-road price includes the Road Fund Licence applicable to the standard model plus delivery charge (£730.00 incl. VAT), new vehicle registration fee (£55.00), fuel (£50.00 incl. VAT), and number plates (£25.00 incl. VAT). VAT is calculated at the standard rate of 20%. Some of the model features, optional extras and colours shown may not be available, or may only be available in a different specification, or at a different price

Design	Technology	Plug-in Hybrid	Model lines	Upholstery	Model prices	Mercedes-AMG	Mercedes-AMG upholstery	Mercedes-AMG prices	Personalisation	Standard equipment	Technical data	Additional information
--------	------------	----------------	-------------	------------	--------------	--------------	-------------------------	---------------------	-----------------	--------------------	----------------	------------------------





**Communications, Safety and Assistance Systems**

- 11.9-inch high-resolution multimedia colour display
- 12.3-inch digital individually configurable instrument display
- Blind Spot Assist

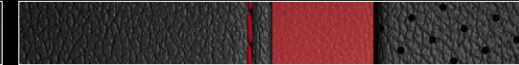
- Parking package with 360° camera
- Traffic Sign Assist<sup>1</sup>
- USB package Plus

**Trim and Upholstery**

Black open-pore aluminium lines wood trim



AMG leather - black



**Interior**

AMG Real Performance Sound

Floor mats - with 'AMG' lettering

Illuminated door sills with 'AMG' lettering with exchangeable cover

Memory package

Mercedes-AMG interior

Steering wheel - AMG Performance steering wheel in nappa leather with AMG steering wheel buttons

THERMATIC - automatic climate control

<sup>1</sup>Our driver assistance and safety systems are aids and do not relieve you of your responsibility as the driver. Please take note of the information in the Owner's Manual and the system limits which are described therein

Design	Technology	Plug-in Hybrid	Model lines	Upholstery	Model prices	Mercedes-AMG	Mercedes-AMG upholstery	Mercedes-AMG prices	Personalisation	Standard equipment	Technical data	Additional information
--------	------------	----------------	-------------	------------	--------------	--------------	-------------------------	---------------------	-----------------	--------------------	----------------	------------------------

# Mercedes-AMG CLE 53 4MATIC+ AMG Night Edition Premium Plus



Standard equipment highlights



Option shown: MANUFaktur spectral blue magno (code 593)



Option shown: MANUFaktur spectral blue magno (code 593)

### Exterior

20" AMG alloy wheels - Y-spoke design, aerodynamically optimised, painted matt black with a high-sheen rim flange, (code RTN)

AMG Exterior Night package

Summer tyres



Coupé OTR from **£78,825<sup>1</sup>**  
 Cabriolet OTR from **£82,825<sup>1</sup>**

Upgrade price from CLE 53 4MATIC+ AMG Premium **£5,750**

<sup>1</sup>The recommended on-the-road price includes the Road Fund Licence applicable to the standard model plus delivery charge (£730.00 incl. VAT), new vehicle registration fee (£55.00), fuel (£50.00 incl. VAT), and number plates (£25.00 incl. VAT). VAT is calculated at the standard rate of 20%. Some of the model features, optional extras and colours shown may not be available, or may only be available in a different specification, or at a different price

Design	Technology	Plug-in Hybrid	Model lines	Upholstery	Model prices	Mercedes-AMG	Mercedes-AMG upholstery	Mercedes-AMG prices	Personalisation	Standard equipment	Technical data	Additional information
--------	------------	----------------	-------------	------------	--------------	--------------	-------------------------	---------------------	-----------------	--------------------	----------------	------------------------





Burmester® 3D surround sound system



Head-up display

**Interior**

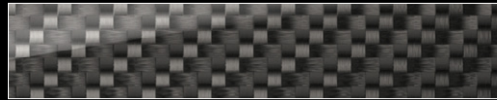
AIR-BALANCE package – fragrance generator, ioniser and improved filter system

ENERGIZING package Plus – heated, multicontour and climatized front seats, 7 ENERGIZING Comfort packages and ENERGIZING COACH

Steering wheel – AMG Performance steering wheel in nappa leather/ MICROCUT microfibre with AMG steering wheel buttons

**Trim and Upholstery**

Carbon fibre trim

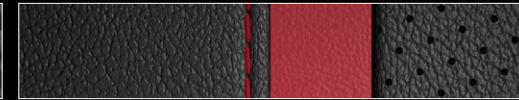


**Communications, Safety and Assistance Systems**

Burmester® 3D surround sound system with sound personalisation

Head-up display

AMG leather – black



Design	Technology	Plug-in Hybrid	Model lines	Upholstery	Model prices	Mercedes-AMG	Mercedes-AMG upholstery	Mercedes-AMG prices	Personalisation	Standard equipment	Technical data	Additional information
--------	------------	----------------	-------------	------------	--------------	--------------	-------------------------	---------------------	-----------------	--------------------	----------------	------------------------





# Pro Performance package

Introducing the Pro Performance package – where precision meets power – tailored for enthusiasts seeking the ultimate driving experience.

**Pro Performance package** (code DPP) – designed and priced as a package, including items listed on the right-hand side.

**Only available for Mercedes-AMG CLE 53 4MATIC+ AMG Night Edition Premium Plus**  
**Total incl. VAT £7,500.00**



**AMG DYNAMIC PLUS package** – AMG DYNAMIC SELECT RACE drive program 'RACE' with RACE start function and drift mode, AMG dynamic engine mounts

**AMG Performance Seat package High-End** – AMG performance seats, electrically adjustable multicontour seats for driver and front passenger with Memory package, seat heating for driver and front passenger, 'AMG' lettering in the seat backrests, front chrome-plated trim panel with black 'AMG' lettering

**AMG spoiler** – distinctive, progressively shaped airflow breakaway edge on the boot lid in high-gloss black

**AMG Performance steering wheel** – in carbon fibre design/ MICROCUT microfibre with AMG steering wheel buttons

**AMG Styling package** – AMG front apron in progressive design with side flics and air intakes in high-gloss black, AMG rear apron with diffuser panel in high-gloss black, flics in the side air outlets of the AMG rear apron in high-gloss black

**Red-painted brake callipers** – the red-painted brake callipers with black 'AMG' lettering are an attractive eye-catching feature, and underscore the performance capabilities of your braking system



Design	Technology	Plug-in Hybrid	Model lines	Upholstery	Model prices	Mercedes-AMG	Mercedes-AMG upholstery	Mercedes-AMG prices	Personalisation	Standard equipment	Technical data	Additional information
--------	------------	----------------	-------------	------------	--------------	--------------	-------------------------	---------------------	-----------------	--------------------	----------------	------------------------



Book a test drive



Find your CLE



Find a Showroom

# Become the AMG expert

Unleash a new level of performance.



Step into the world of performance and experience the AMG brand at Mercedes-Benz World – from the powerful sound of the engines to the smell of the leather to the unmistakable design of our vehicles.

Mercedes-Benz World invites all Mercedes-AMG customers to a complimentary adrenaline-packed driving experience. Feel the sensational AMG driving performance, develop your driving skills and even try your hand at power-sliding on the Wet Skid Circle. With expert one-to-one guidance from a Driving Specialist in the passenger seat, experience every inch of our Handling Circuits, Dynamic Straight and low friction surfaces.

[Click here for more information](#)



#### TERMS AND CONDITIONS

The following customers only are eligible: The first purchaser/registered keeper of a newly registered Mercedes-AMG. The complimentary training must be booked and taken within 12 months of email receipt. The training is available Monday - Friday only (excluding bank holidays) and subject to availability. Upgrades are available for an additional cost, details upon request. Transferable to individuals who reside at the same postal address only. Mercedes-Benz UK Limited reserves the right to amend or withdraw this training experience. Attendees must hold a full UK driving licence. Attendees will be required to sign the Mercedes-Benz World Driving Risk Acknowledgement prior to undertaking the training experience.

The training experience is also subject to the Mercedes-Benz World Terms and Conditions, as applicable. Retailer demonstrator vehicles are not eligible.

Design	Technology	Plug-in Hybrid	Model lines	Upholstery	Model prices	Mercedes-AMG	Mercedes-AMG upholstery	Mercedes-AMG prices	Personalisation	Standard equipment	Technical data	Additional information
--------	------------	----------------	-------------	------------	--------------	--------------	-------------------------	---------------------	-----------------	--------------------	----------------	------------------------





# Mercedes-AMG upholstery

● Standard ○ Optional



Sports seats shown

## 251A AMG leather<sup>1</sup> – black

CLE53 4MATIC+ AMG Premium

●

CLE53 4MATIC+ AMG Night Edition Premium Plus

●

**Total RRP incl. VAT**

–



AMG Performance Seat package High-End shown is only available as part of the optional AMG Pro Performance package (code DPP)



Sports seats shown

## 887A AMG nappa leather<sup>1</sup> – two-tone power red/black

CLE53 4MATIC+ AMG Premium

○

CLE53 4MATIC+ AMG Night Edition Premium Plus

○

**Total RRP incl. VAT**

**£1,000**



AMG Performance Seat package High-End shown is only available as part of the optional AMG Pro Performance package (code DPP)

Coupé interior shown <sup>1</sup>At least 80% of the seat upholstery is pure leather, while up to 20% may consist of man-made leather

Design	Technology	Plug-in Hybrid	Model lines	Upholstery	Model prices	Mercedes-AMG	Mercedes-AMG upholstery	Mercedes-AMG prices	Personalisation	Standard equipment	Technical data	Additional information
--------	------------	----------------	-------------	------------	--------------	--------------	-------------------------	---------------------	-----------------	--------------------	----------------	------------------------





# Mercedes-AMG upholstery

○ Optional



Sports seats shown

AMG Performance Seat package High-End shown is only available as part of the optional AMG Pro Performance package (code DPP)

## 851A AMG nappa leather<sup>1</sup> – black

CLE53 4MATIC+ AMG Premium

CLE53 4MATIC+ AMG Night Edition Premium Plus

**Total RRP incl. VAT**

**£1,000**



Sports seats shown

AMG Performance Seat package High-End shown is only available as part of the optional AMG Pro Performance package (code DPP)

## 861A AMG nappa leather<sup>1</sup> – black

CLE53 4MATIC+ AMG Premium

CLE53 4MATIC+ AMG Night Edition Premium Plus

**Total RRP incl. VAT**

**£1,000**

Coupe interior shown <sup>1</sup>At least 80% of the seat upholstery is pure leather, while up to 20% may consist of man-made leather

Design	Technology	Plug-in Hybrid	Model lines	Upholstery	Model prices	Mercedes-AMG	Mercedes-AMG upholstery	Mercedes-AMG prices	Personalisation	Standard equipment	Technical data	Additional information
--------	------------	----------------	-------------	------------	--------------	--------------	-------------------------	---------------------	-----------------	--------------------	----------------	------------------------



# Mercedes-AMG upholstery

No-cost option



## Y05 Seat belts - red

CLE53 4MATIC+ AMG Premium

CLE53 4MATIC+ AMG Night Edition Premium Plus

**Total RRP incl. VAT** -

Coupé interior shown <sup>1</sup>At least 80% of the seat upholstery is pure leather, while up to 20% may consist of man-made leather

Design	Technology	Plug-in Hybrid	Model lines	Upholstery	Model prices	Mercedes-AMG	Mercedes-AMG upholstery	Mercedes-AMG prices	Personalisation	Standard equipment	Technical data	Additional information
--------	------------	----------------	-------------	------------	--------------	--------------	-------------------------	---------------------	-----------------	--------------------	----------------	------------------------

[Book a test drive](#)[Find your CLE](#)[Find a Showroom](#)**VED and BIK applicable for registrations up to 31 March 2025**

# Mercedes-AMG prices

Model line	Engine	Transmission	CO <sub>2</sub> WLTP <sup>1*</sup>	Basic RRP excl. VAT (£)	Total RRP incl. VAT (£)	Road Fund Licence (£) <sup>2</sup> WLTP	Rec. OTR price (£) <sup>3</sup> WLTP	P11D value (£)	BIK tax rate 2024/25 (%) <sup>2</sup>
<b>Coupé</b>									
Mercedes-AMG CLE 53 4MATIC+ AMG Premium	Petrol - 2,999 cc, 6-cylinder, 449 hp/330 kW Mild hybrid drive - 22 hp/17 kW	9G-TRONIC PLUS 9-speed auto.	212	58,812.50	70,575.00	1,640.00	<b>73,075.00</b>	71,380.00	37
Mercedes-AMG CLE 53 4MATIC+ AMG Night Edition Premium Plus	Petrol - 2,999 cc, 6-cylinder, 449 hp/330 kW Mild hybrid drive - 22 hp/17 kW	9G-TRONIC PLUS 9-speed auto.	213	63,604.17	76,325.00	1,640.00	<b>78,825.00</b>	77,130.00	37
<b>Cabriolet</b>									
Mercedes-AMG CLE 53 4MATIC+ AMG Premium	Petrol - 2,999 cc, 6-cylinder, 449 hp/330 kW Mild hybrid drive - 22 hp/17 kW	9G-TRONIC PLUS 9-speed auto.	218	62,145.83	74,575.00	1,640.00	<b>77,075.00</b>	75,380.00	37
Mercedes-AMG CLE 53 4MATIC+ AMG Night Edition Premium Plus	Petrol - 2,999 cc, 6-cylinder, 449 hp/330 kW Mild hybrid drive - 22 hp/17 kW	9G-TRONIC PLUS 9-speed auto.	219	66,937.50	80,325.00	1,640.00	<b>82,825.00</b>	81,130.00	37

<sup>1</sup>The indicated values were determined according to the prescribed measurement method - Worldwide Harmonised Light Vehicle Test Procedure (WLTP). Figures shown may include options which are not available in the UK. <sup>2</sup>Figures shown are for comparability purposes; only compare with other cars tested to the same technical procedures. Figures may not reflect real life driving results, which will depend upon a number of factors including factory-fitted options, accessories fitted (post registration), variations in weather, driving styles and vehicle load. Further information about the test used to establish fuel consumption and CO<sub>2</sub> figures can be found at <http://www.mercedes-benz.co.uk/WLTP> <sup>3</sup>A different first year rate of Vehicle Excise Duty (Road Fund Licence) applies for new cars. Please refer to page 51 for the relevant rate for the second and subsequent years <sup>4</sup>The recommended on-the-road price includes the Road Fund Licence applicable to the standard model plus delivery charge (£730.00 incl. VAT), new vehicle registration fee (£55.00), fuel (£50.00 incl. VAT), and number plates (£25.00 incl. VAT). VAT is calculated at the standard rate of 20%. Some of the model features, optional extras and colours shown may not be available, or may only be available in a different specification, or at a different price

Design	Technology	Plug-in Hybrid	Model lines	Upholstery	Model prices	Mercedes-AMG	Mercedes-AMG upholstery	Mercedes-AMG prices	Personalisation	Standard equipment	Technical data	Additional information
--------	------------	----------------	-------------	------------	--------------	--------------	-------------------------	---------------------	-----------------	--------------------	----------------	------------------------



# Colour options

Mercedes-Benz variants – non-metallic and metallic paints

● Standard   ○ Optional   – Not available



**149 polar white non-metallic**

All AMG Line variants	●
Premier Edition	●
<b>Total RRP incl. VAT</b>	<b>-</b>



**831 graphite grey metallic**

All AMG Line variants	○
Premier Edition	○
<b>Total RRP incl. VAT</b>	<b>£715.00</b>



**970 spectral blue metallic**

All AMG Line variants	○
Premier Edition	○
<b>Total RRP incl. VAT</b>	<b>£715.00</b>



**197 obsidian black metallic**

All AMG Line variants	○
Premier Edition	○
<b>Total RRP incl. VAT</b>	<b>£715.00</b>



**922 high-tech silver metallic**

All AMG Line variants	○
Premier Edition	○
<b>Total RRP incl. VAT</b>	<b>£715.00</b>



**914 sun yellow solid**

All AMG Line variants	-
Premier Edition	○
<b>Total RRP incl. VAT</b>	<b>£715.00</b>

Please note that, owing to limitations of on-screen representation, paint colours may differ from those shown

# Colour options

## Mercedes-Benz variants – MANUFAKTUR paints

Optional



**885 MANUFAKTUR opalite white bright metallic**

All AMG Line variants

Premier Edition

**Total RRP incl. VAT** **£925.00**



**993 MANUFAKTUR patagonia red metallic**

All AMG Line variants

Premier Edition

**Total RRP incl. VAT** **£925.00**



**956 MANUFAKTUR alpine grey solid**

All AMG Line variants

Premier Edition

**Total RRP incl. VAT** **£925.00**

Please note that, owing to limitations of on-screen representation, paint colours may differ from those shown

Design	Technology	Plug-in Hybrid	Model lines	Upholstery	Model prices	Mercedes-AMG	Mercedes-AMG upholstery	Mercedes-AMG prices	Personalisation	Standard equipment	Technical data	Additional information
--------	------------	----------------	-------------	------------	--------------	--------------	-------------------------	---------------------	-----------------	--------------------	----------------	------------------------

# Colour options

Mercedes-AMG variants – non-metallic and metallic paints

● Standard   ○ Optional   – Not available



**040 black non-metallic**

Mercedes-AMG CLE 53 4MATIC+ Premium ●

Mercedes-AMG CLE 53 4MATIC+ Night Edition Premium Plus ●

**Total RRP incl. VAT** –



**970 spectral blue metallic**

Mercedes-AMG CLE 53 4MATIC+ Premium ○

Mercedes-AMG CLE 53 4MATIC+ Night Edition Premium Plus ○

**Total RRP incl. VAT** £715.00



**914 sun yellow solid**

Mercedes-AMG CLE 53 4MATIC+ Premium –

Mercedes-AMG CLE 53 4MATIC+ Night Edition Premium Plus ○

**Total RRP incl. VAT** £715.00



**197 obsidian black metallic**

Mercedes-AMG CLE 53 4MATIC+ Premium ○

Mercedes-AMG CLE 53 4MATIC+ Night Edition Premium Plus ○

**Total RRP incl. VAT** £715.00

Please note that, owing to limitations of on-screen representation, paint colours may differ from those shown



[Book a test drive](#)[Find your CLE](#)[Find a Showroom](#)

# Colour options Mercedes-AMG variants – MANUFAKTUR paints

Optional



### 885 MANUFAKTUR opalite white bright metallic

Mercedes-AMG CLE 53 4MATIC+ Premium

Mercedes-AMG CLE 53 4MATIC+ Night Edition Premium Plus

**Total RRP incl. VAT £925.00**



### 993 MANUFAKTUR patagonia red metallic

Mercedes-AMG CLE 53 4MATIC+ Premium

Mercedes-AMG CLE 53 4MATIC+ Night Edition Premium Plus

**Total RRP incl. VAT £925.00**



### 593 MANUFAKTUR spectral blue magno<sup>1</sup>

Mercedes-AMG CLE 53 4MATIC+ Premium

Mercedes-AMG CLE 53 4MATIC+ Night Edition Premium Plus

**Total RRP incl. VAT £1,825.00**



### 956 MANUFAKTUR alpine grey solid

Mercedes-AMG CLE 53 4MATIC+ Premium

Mercedes-AMG CLE 53 4MATIC+ Night Edition Premium Plus

**Total RRP incl. VAT £925.00**



### 818 MANUFAKTUR graphite grey magno<sup>1</sup>

Mercedes-AMG CLE 53 4MATIC+ Premium

Mercedes-AMG CLE 53 4MATIC+ Night Edition Premium Plus

**Total RRP incl. VAT £1,825.00**

<sup>1</sup>MANUFAKTUR magno matt paint finishes require extra care. Please refer to the Owner's Manual for instructions

Please note that, owing to limitations of on-screen representation, paint colours may differ from those shown

Design	Technology	Plug-in Hybrid	Model lines	Upholstery	Model prices	Mercedes-AMG	Mercedes-AMG upholstery	Mercedes-AMG prices	Personalisation	Standard equipment	Technical data	Additional information
--------	------------	----------------	-------------	------------	--------------	--------------	-------------------------	---------------------	-----------------	--------------------	----------------	------------------------

# Acoustic soft top Cabriolet

- Standard
- No-cost option



740 Acoustic soft top - black fabric



747 Acoustic soft top - red fabric



754 Acoustic soft top - grey fabric



# Driving Assistance package Plus<sup>1</sup>

The Driving Assistance package Plus<sup>1</sup> contains a range of highly intelligent features to help you stay safe on the road – by making the drive more effortless, by warning of danger, and by taking steps to protect you in an emergency.

**Driving Assistance package Plus<sup>1</sup>** (code P20) – designed and priced as a package, including items listed below.

**Only available for AMG Line Premium Plus, Premier Edition and Mercedes-AMG CLE 53 4MATIC+ AMG Night Edition Premium Plus**  
**Total incl. VAT £1,695.00**

**Active Blind Spot Assist** can warn the driver of vehicles in the blind spot during a lane change and can help to avoid a collision by means of one-sided braking intervention

**Active Braking Assist** with cross-traffic function can help to avoid accidents with vehicles ahead, crossing traffic and also pedestrians, and/or mitigate their consequences

**Active Distance Assist DISTRONIC** helps maintain the desired distance from the vehicle in front with extended automatic re-start on motorways

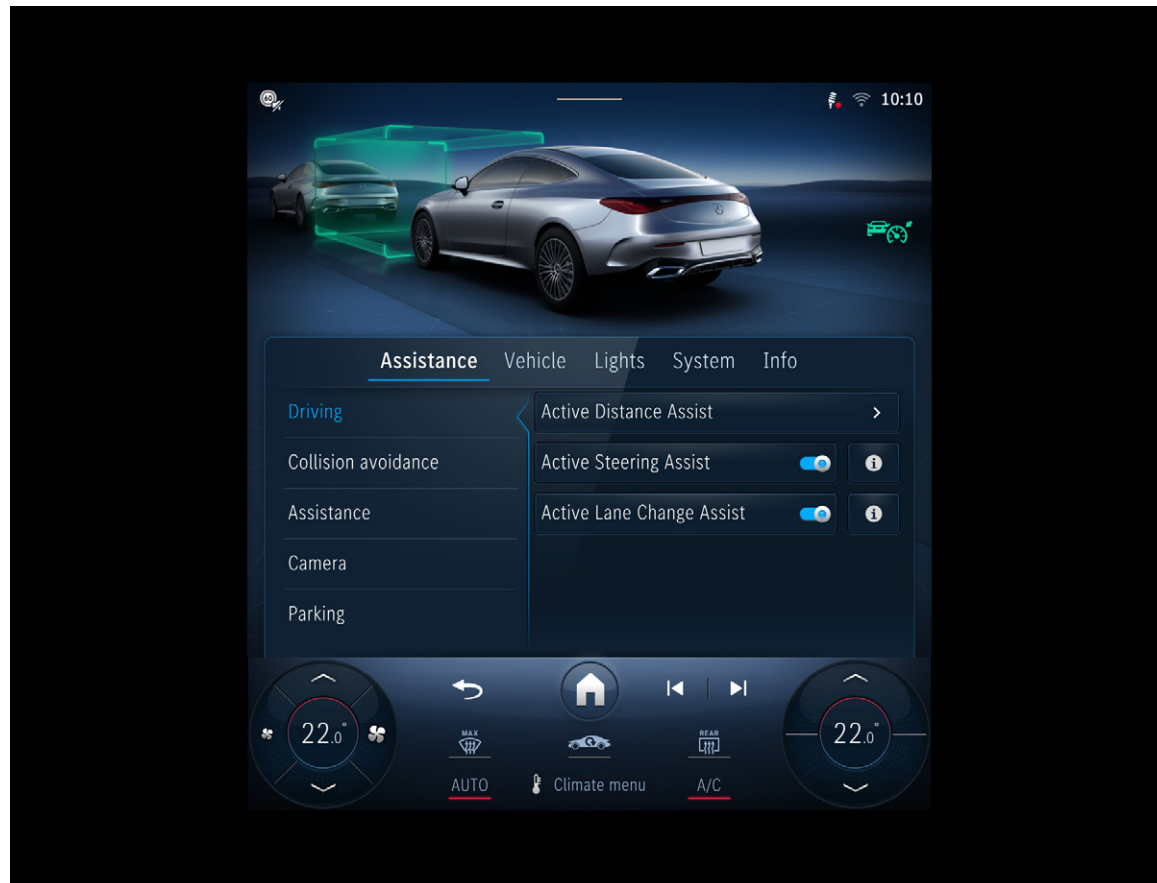
**Active Lane Change Assist** supports you by bringing you into the parallel lane if there is space when changing lanes

**Active Speed Limit Assist** ensures detected speed limits are automatically adopted as the set speed for Active Distance Assist DISTRONIC

**Evasive Steering Assist** can support the driver in making evasive manoeuvres if, in a dangerous situation, he/she moves to avoid any pedestrian detected by the system

**PRE-SAFE<sup>®</sup>** can prepare the occupants for a side-on collision and reduce the risk of injury. Like a bodyguard, it pushes the driver or front passenger away from the danger zone towards the inside

**PRE-SAFE<sup>®</sup> PLUS** when a rear-end collision threatens, PRE-SAFE<sup>®</sup> PLUS can initiate preventive measures, including warning following traffic and locking the brakes on standstill



<sup>1</sup>Our driver assistance and safety systems are aids and do not relieve you of your responsibility as the driver. Please take note of the information in the Owner's Manual and the system limits which are described therein

Design	Technology	Plug-in Hybrid	Model lines	Upholstery	Model prices	Mercedes-AMG	Mercedes-AMG upholstery	Mercedes-AMG prices	Personalisation	Standard equipment	Technical data	Additional information
--------	------------	----------------	-------------	------------	--------------	--------------	-------------------------	---------------------	-----------------	--------------------	----------------	------------------------



[Book a test drive](#)[Find your CLE](#)[Find a Showroom](#)

# Standard equipment

● Standard    – Not available

## Engine, Transmission and Suspension

	AMG Line	AMG Line Premium	AMG Line Premium Plus	Premier Edition
9G-TRONIC PLUS 9-speed automatic transmission	●	●	●	●
Acoustic presence indicator (CLE 300 e only)	–	●	●	●
AGILITY CONTROL sports suspension – lowered by 15 mm (excluding CLE 300 e)	●	●	●	●
Charging cable – Mode 2 cable (5 metres, straight) for domestic socket (CLE 300 e only)	–	●	●	●
Charging cable – Mode 3 cable (5 metres, straight) for wallbox and public charging stations (CLE 300 e only)	–	●	●	●
Charging system – rated at 11 kW AC (CLE 300 e only)	–	●	●	●
Comfort and self levelling suspension (CLE 300 e only)	–	●	●	●
DYNAMIC SELECT with a choice of driving modes (Comfort, ECO, Sport and Individual)	●	●	●	●
Integrated Starter Generator Generation 2	●	●	●	●

## Exterior

AMG Line exterior	●	●	●	●
Braking system with larger brake discs on front axle	●	●	●	●
Cabriolet Comfort package – including AIRCAP, AIRSCARF and automatic boot separator (Cabriolet only)	●	●	●	●
Fuel tank – 50-litres (CLE 300 e only)	–	●	●	●
Fuel tank – 66-litres (excluding CLE 300 e)	●	●	●	●
Headlamps – DIGITAL LIGHT with Adaptive Highbeam Assist Plus	–	●	●	●
Headlamps – LED High-Performance headlamps with Adaptive Highbeam Assist	●	–	–	–
Heat-insulating, dark-tinted glass	●	●	●	●
KEYLESS-GO Convenience package with hands free access (Coupé only) – including boot lid convenience closing, KEYLESS-GO access and drive authorisation system, KEYLESS-GO starting function, an electronic vehicle key which communicates with the vehicle within a range of two metres from the respective door, door handles with chrome inserts, remote boot closing and EASY-PACK tailgate	–	●	●	●

	AMG Line	AMG Line Premium	AMG Line Premium Plus	Premier Edition
Mirror package – electrically-folding exterior mirrors and automatically-dimming rear-view mirror	●	●	●	●
Night package	–	–	–	●
Panoramic sliding sunroof (Coupé only)	–	●	●	●
Sporty engine sound	●	●	●	●
Windscreen wipers with rain sensor	●	●	●	●

## Interior

AIR-BALANCE package – fragrance generator, ioniser and improved filter system	–	–	●	●
Ambient Lighting Premium	●	●	●	●
Ambient lighting with projection of brand logo	●	●	●	●
AMG floor mats	●	●	●	●
AMG Line interior	●	●	●	●
Belt feeder	●	●	●	●
ENERGIZING package Plus – heated, multi-contour and climatized front seats, seven ENERGIZING Comfort packages and ENERGIZING COACH	–	–	●	●
Fingerprint scanner	●	●	●	●
Illuminated door sill panels with 'Mercedes-Benz' lettering	●	●	●	●
Interior Light package	●	●	●	●
KEYLESS-GO	●	●	●	●
KEYLESS-GO starting function	●	●	●	●
Seats – folding backrests, rear	●	●	●	●
Seats – four-way lumbar support	●	●	–	–
Seats – heated, front	●	●	●	●



# Standard equipment

● Standard – Not available

## Interior (continued)

	AMG Line	AMG Line Premium	AMG Line Premium Plus	Premier Edition
Seats – Memory package – driver's seat, front passenger seat, steering column and exterior mirrors – electrically adjustable with memory; includes electro-pneumatic four-way lumbar support and seat cushion depth adjustment (6 cm)	●	●	●	●
Seats – multi-contour and climatized, front	–	–	●	●
Stowage Space package	●	●	●	●
THERMATIC automatic climate control	●	●	●	●

## Wheels

	AMG Line	AMG Line Premium	AMG Line Premium Plus	Premier Edition
18" AMG alloy wheels – 5-twin-spoke design, aerodynamically optimised, painted black with a high-sheen finish, with 245/45 R18 tyres (front) and 275/40 R18 tyres (rear) (code RSK)	●	–	–	–
19" AMG alloy wheels – multi-spoke design, aerodynamically optimised, painted black with a high-sheen finish, with 245/40 R19 tyres (front) and 275/35 R19 tyres (rear) (code RVA)	–	●	–	–
20" AMG alloy wheels – multi-spoke design, aerodynamically optimised, painted black with a high-sheen finish, with 245/35 R20 (front) and 275/30 R20 (rear) (code RVM) (excluding CLE 300 e)	–	–	●	–
20" AMG alloy wheels – multi-spoke design, aerodynamically optimised, painted black with a high-sheen rim flange, with 245/35 R20 (front) and 275/30 R20 (rear) (code RVN) (excluding CLE 300 e)	–	–	–	●
19" AMG alloy wheels – multi-spoke design, aerodynamically optimised, painted black with a high-sheen finish, with 245/40 R19 tyres (front) and 275/35 R19 tyres (rear) (code RVA) (CLE 300 e only)	–	–	●	–
19" AMG alloy wheels – multi-spoke design, aerodynamically optimised, painted black with a high-sheen rim flange, with 245/40 R19 (front) and 275/35 R19 (rear) (code RVB) (CLE 300 e only)	–	–	–	●
Summer tyres	●	●	●	●

## Paint, Trim and Upholstery

	AMG Line	AMG Line Premium	AMG Line Premium Plus	Premier Edition
Acoustic soft top – black fabric (Cabriolet only)	●	●	●	●
Centre console – high-gloss black	–	–	–	●
Centre console – mixed fabric-look finish with metal effect	●	●	●	–
Instrument panel and bettlines in ARTICO man-made leather in nappa look	●	●	●	●
Paint – non-metallic	●	●	●	●
Roof lining – black fabric	●	●	●	●
Trim – AMG carbon fibre	–	–	–	●
Trim – anthracite linestructure lime wood	●	●	–	–
Trim – black open-pore aluminium line wood	–	–	●	–
Upholstery – leather	●	●	●	–
Upholstery – nappa leather	–	–	–	●

## Steering

	AMG Line	AMG Line Premium	AMG Line Premium Plus	Premier Edition
Heated steering wheel	–	–	–	●
Multifunction sport steering wheel in nappa leather	●	●	●	●
Steering column – electrically adjustable for height and reach	●	●	●	●

<sup>1</sup>Our driver assistance and safety systems are aids and do not relieve you of your responsibility as the driver. Please take note of the information in the Owner's Manual and the system limits which are described therein of network providers

<sup>2</sup>The connection of the communication module to the mobile phone network including the emergency call system depends on the respective network coverage and availability

[Book a test drive](#)[Find your CLE](#)[Find a Showroom](#)

# Standard equipment

● Standard    – Not available

## Safety and Assistance Systems

	AMG Line	AMG Line Premium	AMG Line Premium Plus	Premier Edition
Active Brake Assist <sup>1</sup>	●	●	●	●
Active Lane Keeping Assist <sup>1</sup>	●	●	●	●
Anti-theft alarm system	●	●	●	●
Blind Spot Assist <sup>1</sup>	●	●	●	●
Centre airbag	●	●	●	●
Evasive manoeuvre support	●	●	●	●
Fluorescent jacket for driver	●	●	●	●
Increased anti-theft protection	●	●	●	●
Interior monitoring system	●	●	●	●
GUARD 360° vehicle protection Plus <sup>2</sup>	●	●	●	●
Passive person presence reminder	●	●	●	●
Parking – Active Parking Assist <sup>1</sup> with PARKTRONIC	●	●	●	●
Parking – Parking package with reversing camera	●	–	–	–
Parking – Parking package with 360° camera	–	●	●	●
Pedestrian protection	●	●	●	●
PRE-SAFE® system	●	●	●	●
Traffic Sign Assist <sup>1</sup> – traffic sign recognition including wrong-way warning function and display of posted speed limits in the instrument cluster	●	●	●	●
Tyre pressure monitoring system	●	●	●	●

## Communications and In-Car Entertainment

	AMG Line	AMG Line Premium	AMG Line Premium Plus	Premier Edition
5G communications module <sup>2</sup> for the use of Digital Extras	●	●	●	●
11.9-inch media display screen	●	●	●	●
12.3-inch driver display screen	●	●	●	●
Burmester® 3D surround sound with sound personalisation	–	–	●	●
DAB digital radio	●	●	●	●
Digital Extras (standard services) <sup>2</sup> – emergency call system (eCall) <sup>4</sup> , accident recovery, breakdown management and maintenance management	●	●	●	●
Extended MBUX functions	●	●	●	●
Hard-disk navigation	●	●	●	●
Head-up display	–	–	●	●
MBUX multimedia system <sup>3</sup>	●	●	●	●
MBUX Navigation Premium <sup>2</sup>	●	●	●	●
Smartphone integration <sup>5</sup> including Apple CarPlay® and Android Auto™	●	●	●	●
USB package Plus	●	●	●	●
Wireless charging for mobile devices in the front <sup>5</sup>	●	●	●	●

<sup>1</sup>Our driver assistance and safety systems are aids and do not relieve you of your responsibility as the driver. Please take note of the information in the Owner's Manual and the system limits which are described therein

<sup>2</sup>The connection of the communication module to the mobile phone network including the emergency call system depends on the respective network coverage and availability of network providers

<sup>3</sup>LINGUATRONIC off-board functions are currently only available for three years

<sup>4</sup>Please be aware Mercedes-Benz emergency call system comes as standard for the first 10 years of the vehicle's lifecycle

<sup>5</sup>Compatible mobile phone required. Please check [www.mercedes-benz-mobile.com](http://www.mercedes-benz-mobile.com) for details or contact your local Mercedes-Benz Agent for further information



[Book a test drive](#)[Find your CLE](#)[Find a Showroom](#)

# Standard equipment Mercedes-AMG

● Standard    – Not available

## Engine, Transmission and Suspension

	AMG Night Edition Premium Plus	AMG Premium
9G-TRONIC PLUS 9-speed automatic transmission	●	●
AMG DYNAMIC SELECT with a choice of five driving modes (Slippery, Comfort, Sport, Sport+, Individual)	●	●
AMG RIDE CONTROL suspension with adjustable damping	●	●
Integrated Starter Generator Generation 2	●	●

## Exterior

AMG Exterior Night package	–	●
AMG fuel cap	●	●
AMG specific radiator grille with vertical struts in high-gloss chrome and AMG logo	●	●
AMG spoiler lip	●	●
Boot lid convenience closing feature	●	●
Brake callipers – painted in grey	●	●
Cabriolet Comfort package – including AIRCAP, AIRSCARF and automatic boot separator (Cabriolet only)	●	●
Flared wheel arches	●	●
Fuel tank – 66-litres	●	●
Headlamps – DIGITAL LIGHT with Adaptive Highbeam Assist Plus	●	●
Heat-insulating, dark-tinted glass	●	●
KEYLESS-GO Convenience package with hands free access (Coupé only) – including boot lid convenience closing, KEYLESS-GO access and drive authorisation system, KEYLESS-GO starting function, an electronic vehicle key which communicates with the vehicle within a range of two metres from the respective door, door handles with chrome inserts, remote boot closing and EASY-PACK tailgate	●	●
Mercedes-AMG exterior	●	●
Mirror package – electrically-folding exterior mirrors and automatically-dimming rear-view mirror	●	●
Panoramic glass sliding sunroof (Coupé only)	●	●

Petrol Particulate Filter (PPF) – all petrol engines	●	●
Tail lamps – full LED	●	●
Windscreen wipers with rain sensor	●	●

## Interior

AIR-BALANCE package – fragrance generator, ioniser and improved filter system	–	●
Ambient Lighting Premium	●	●
Ambient lighting with projection of brand logo	●	●
AMG floor mats	●	●
AMG Real Performance Sound	●	●
Belt feeder	●	●
Double cup holder	●	●
ENERGIZING package Plus – heated, multi-contour and climatized front seats, seven ENERGIZING Comfort packages and ENERGIZING COACH	–	●
Fingerprint scanner	●	●
Illuminated door sill panels with 'AMG' lettering and with exchangeable cover	●	●
Interior Light package	●	●
Mercedes-AMG interior	●	●
Seats – folding backrests, rear	●	●
Seats – four-way lumbar support	●	●
Seats – heated, front	●	●
Seats – Memory package – driver's seat, front passenger seat, steering column and exterior mirrors – electrically adjustable with memory; includes electro-pneumatic four-way lumbar support and seat cushion depth adjustment (6 cm)	●	●

[Book a test drive](#)[Find your CLE](#)[Find a Showroom](#)

# Standard equipment Mercedes-AMG

● Standard    – Not available

## Interior (continued)

	AMG Night Edition Premium Plus	AMG Premium
Seats – multi-contour and climatized, front	●	●
Stowage Space package	●	●
THERMATIC automatic climate control	●	●

## Wheels

20" AMG alloy wheels – Y-spoke design, aerodynamically optimised, painted matt black with a high-sheen finish, with 265/35 R 20 tyres (front) and 295/30 R 20 tyres (rear) (code RTM)	●	–
20" AMG alloy wheels – Y-spoke design, aerodynamically optimised, painted matt black with a high-sheen rim flange, with 265/35 R 20 tyres (front) and 295/30 R 20 tyres (rear) (code RTN)	–	●
Summer tyres	●	●

## Paint, Trim and Upholstery

Acoustic soft top – black fabric (Cabriolet only)	●	●
Centre console – high-gloss black	–	●
Centre console – mixed fabric-look finish with metal effect	●	–
Instrument panel and beltlines in ARTICO man-made leather in nappa look	●	●
Paint – non-metallic	●	●
Roof lining – black fabric	●	●
Trim – AMG carbon fibre	–	●
Trim – black open-pore aluminium line wood	●	–
Upholstery – AMG leather black	●	●

## Steering

	AMG Night Edition Premium Plus	AMG Premium
AMG Performance steering wheel in nappa leather with AMG steering wheel buttons	●	–
AMG Performance steering wheel in nappa leather/MICROCUT microfibre with AMG steering wheel buttons	–	●
Rear axle steering	●	●
Steering – Sports Direct-Steer system with speed sensitive steering	●	●

## Safety and Assistance Systems

Active bonnet – pedestrian safety measure which detects an impact and raises bonnet	●	●
Active Brake Assist <sup>1</sup>	●	●
Active Lane Keeping Assist <sup>1</sup>	●	●
Adaptive brake lights	●	●
Adaptive Brake Assist with HOLD function and brake-drying function	●	●
Anti-lock braking system (ABS)	●	●
ATTENTION ASSIST – can help alert to long journey fatigue	●	●
Automatic child seat recognition sensor	●	●
Automatic front passenger airbag deactivation	●	●
Blind Spot Assist <sup>1</sup>	●	●
Centre airbag	●	●
Central locking with interior switch, automatic locking and crash sensor with emergency opening function	●	●
Childproof locks – manually operated for rear doors and electrically operated for rear power windows	●	●
Dual-stage airbags – driver and front passenger; sidebags in front seats; driver kneebag; pelvis bag and windowbags for driver, front passenger and rear passengers; central airbag between driver and front passenger	●	●
Electronic parking brake	●	●

<sup>1</sup>Our driver assistance and safety systems are aids and do not relieve you of your responsibility as the driver. Please take note of the information in the Owner's Manual and the system limits which are described therein



# Standard equipment Mercedes-AMG

● Standard – Not available

## Safety and Assistance Systems (continued)

	AMG Night Edition Premium Plus	AMG Premium
Electronic Stability Programme (ESP®)	●	●
Evasive manoeuvre support	●	●
First-aid kit and warning triangle	●	●
Fluorescent jacket for driver	●	●
Interior monitoring system	●	●
ISOFIX child seat attachment points with top tether in rear	●	●
Mercedes-Benz Emergency Call System <sup>3</sup>	●	●
Passive person presence reminder	●	●
Parking – Active Parking Assist <sup>2</sup> with PARKTRONIC	●	●
Parking – Parking package with 360° camera	●	●
Pedestrian protection	●	●
PRE-SAFE® system	●	●
Seat occupancy sensor for rear seats	●	●
Service indicator ASSYST	●	●
SPEEDTRONIC cruise control with variable speed limiter	●	●
Speed Limit Assist	●	●
TIREFIT with tyre inflation compressor	●	●
Traffic Sign Assist <sup>2</sup>	●	●
Tyre pressure monitoring system	●	●
URBAN GUARD vehicle protection <sup>1</sup> (Thatcham Category 1) consisting of a break-in and anti-theft alarm system (ATA), interior monitoring and tow-away protection	●	●

## Communications and In-Car Entertainment

	AMG Night Edition Premium Plus	AMG Premium
5G communications module <sup>1</sup> for the use of Digital Extras	●	●
11.9-inch high-resolution multimedia colour display	●	●
12.3-inch digital individually configurable instrument display	●	●
Burmester® 3D surround sound with sound personalisation	–	●
DAB digital radio	●	●
Digital Extras (standard services) <sup>1</sup> – emergency call system (eCall) <sup>3</sup> , accident recovery, breakdown management and maintenance management	●	●
Extended MBUX functions	●	●
Hard-disk navigation	●	●
Head-up display	–	●
MBUX Navigation Premium <sup>1</sup>	●	●
Remote Services	●	●
Smartphone integration <sup>4</sup> including Apple CarPlay® and Android Auto™	●	●
USB package Plus	●	●
Wireless charging for mobile devices in the front <sup>4</sup>	●	●

<sup>1</sup>The connection of the communication module to the mobile phone network including the emergency call system depends on the respective network coverage and availability of network providers as described therein

<sup>3</sup>Please be aware Mercedes-Benz emergency call system comes as standard for the first 10 years of the vehicle's lifecycle

<sup>4</sup>Compatible mobile phone required. Please check [www.mercedes-benz-mobile.com](http://www.mercedes-benz-mobile.com) for details or contact your local Mercedes-Benz Agent for further information

<sup>2</sup>Our driver assistance and safety systems are aids and do not relieve you of your responsibility as the driver. Please take note of the information in the Owner's Manual and the system limits which are described therein



[Book a test drive](#)[Find your CLE](#)[Find a Showroom](#)

# Technical data Coupé

- Standard

Model	CLE200	CLE220 d	CLE300 4MATIC	CLE300 e	CLE450 4MATIC	Mercedes-AMG CLE53 4MATIC+
<b>Engine</b>						
Fuel delivery	Petrol	Diesel	Petrol	Petrol	Petrol	Petrol
Total displacement cc	1,999	1,993	1,999	1,999	2,999	2,999
Arrangement/cylinders/valves	in-line/4/16	in-line/4/16	in-line/4/16	in-line/4/16	in-line/6/24	in-line/6/24
Power <sup>1</sup> hp (kW) at rpm						
Combustion engine	204 (150)/5,800	197 (145)/3,600	258 (190)/5,800	204 (150)/6,100	381 (280)/5,800-6,100	449 (330)/5,800-6,100
Mild hybrid drive	22 (17)	22 (17)	22 (17)	-	22 (17)	22 (17)
Electric motor	-	-	-	129 (95)	-	-
Torque <sup>1</sup> Nm at rpm						
Combustion engine	320/1,600-4,000	440/1,800-2,800	400/2,000-3,200	320/2,000-4,000	500/1,800-5,000	560/2,200-5,000
Electric motor	-	-	-	440	-	-
Compression ratio	10:1.0	15.5:1.0	10:1.0	10:1.0	10.5:1.0	10.5:1.0
Equivalent All-Electric Range (EAER) <sup>2</sup> mi	-	-	-	69	-	-
Battery type (capacity) kWh	-	-	-	lithium-ion (25.4 kWh)	-	-
Electric energy consumption, combined <sup>2,3</sup> Wh/km	-	-	-	200-201	-	-
Charging time						
AC charging station (11 kW AC) 10-100% <sup>5</sup>	-	-	-	2 hrs	-	-
Wallbox (7.4 kW AC) 10-100% <sup>5</sup>	-	-	-	3 hrs	-	-
Capacity on-board charger kW	-	-	-	11 AC	-	-
Emissions standard	Euro 6e	Euro 6e	Euro 6e	Euro 6e	Euro 6e	Euro 6e

Transmission						
9G-TRONIC PLUS 9-speed automatic	●	●	●	●	●	●

<sup>1</sup>Figures according to Directive 80/1269/EEC in the currently applicable version    <sup>2</sup>Mass of the vehicle in running order with at least 90% full fuel tank, plus the mass of the driver (estimated by law at 75kg), fuel and fluids, equipped with the standard equipment as specified by the manufacturer as well as, where applicable, the mass of the body, cab, trailer coupling and spare wheel(s) as well as tools. Optional extras, additional equipment and accessories can influence the weight, residual payload, rolling resistance, aerodynamics, etc., and therefore also affect the consumption/CO<sub>2</sub> values

[Book a test drive](#)[Find your CLE](#)[Find a Showroom](#)

# Technical data Coupé

Model		CLE200	CLE220 d	CLE300 4MATIC	CLE300 e	CLE450 4MATIC	Mercedes-AMG CLE53 4MATIC+
<b>Performance</b>							
Acceleration 0–62 mph	sec	7.4	7.5	6.2	6.3	4.4	4.2
Top speed	mph	149	148	155	147	155	155

<b>Weights and capacities</b>							
Kerb weight <sup>2</sup>	kg	1,790	1,870	1,875	2,175	1,945	2,000
Perm. Gross Vehicle Weight	kg	2,265	2,345	2,330	2,580	2,400	2,420
Boot capacity – seats up	l	420	420	420	290	420	410
Towing capacity – unbraked/braked	kg	750/1,800	750/1,800	750/1,800	750/1,800	750/1,800	750/1,800
Fuel tank capacity/of which reserve	l	66/7	66/7	66/7	50/7	66/7	65/7
Turning circle	m	11.2	11.2	11.7	11.2	11.7	12.3

<b>Fuel consumption<sup>3,4,5</sup></b>							
Combined (consumption dependent on chosen optional equipment)	l/100 km	6.5–6.4	4.8–4.7	7.2–7.1	0.6	7.7	9.4–9.3
	mpg	43.5–44.1	58.9–60.1	39.2–39.8	470.8	36.7	30.1–30.4

<b>Insurance</b>							
Group rating		35E–37E	36E–38E	40E	45E	43E	44E

Insurance ratings may vary depending on model line and specification.

<sup>3</sup>All figures are based on a standard specification with the smallest tyre size available in the UK

<sup>4</sup>The choice of wheels and transmission may affect CO<sub>2</sub> emissions and corresponding Road Fund Licence

<sup>5</sup>The indicated values were determined according to the prescribed measurement method - Worldwide Harmonised Light Vehicle Test Procedure (WLTP). Figures shown may include options which are not available in the UK



Book a test drive

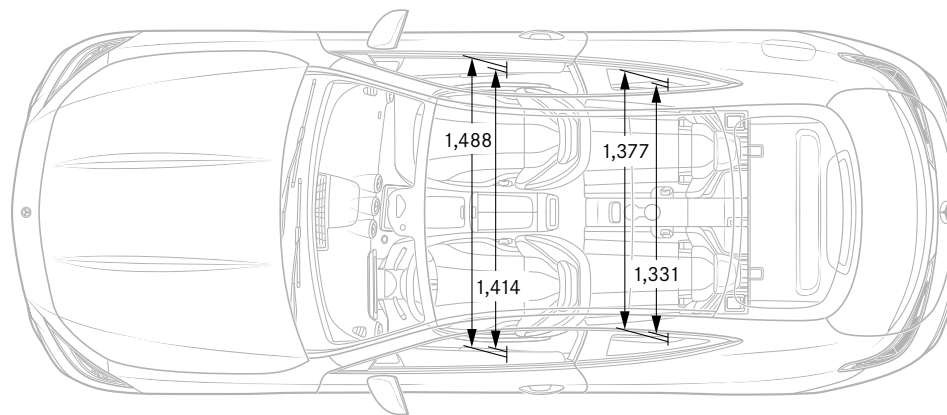
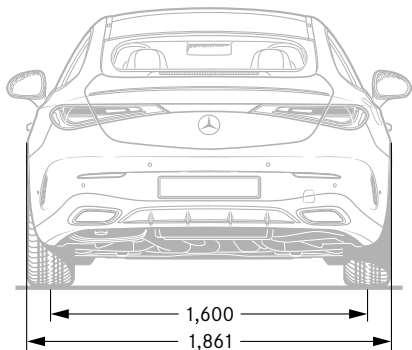
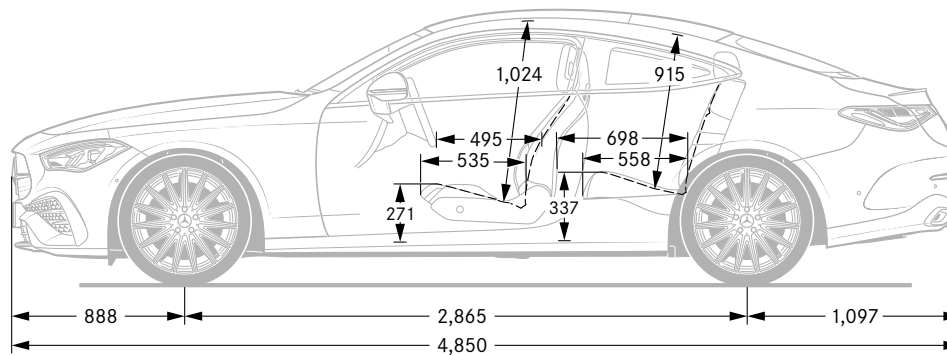
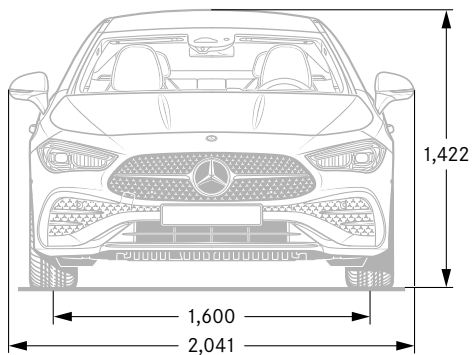


Find your CLE



Find a Showroom

# AMG Line



All measurements in millimetres. The dimensions shown are mean values and apply to standard-specification, unladen vehicles

Design	Technology	Plug-in Hybrid	Model lines	Upholstery	Model prices	Mercedes-AMG	Mercedes-AMG upholstery	Mercedes-AMG prices	Personalisation	Standard equipment	Technical data	Additional information
--------	------------	----------------	-------------	------------	--------------	--------------	-------------------------	---------------------	-----------------	--------------------	----------------	------------------------





Book a test drive

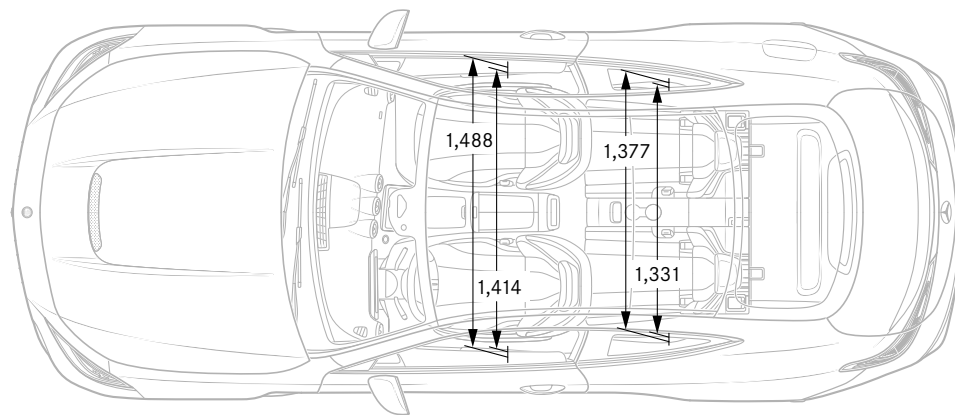
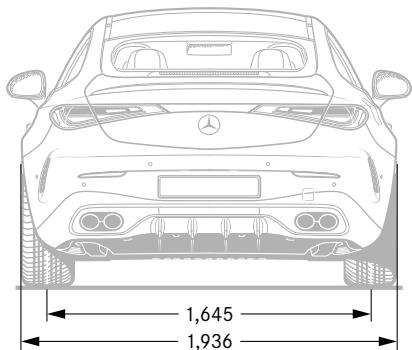
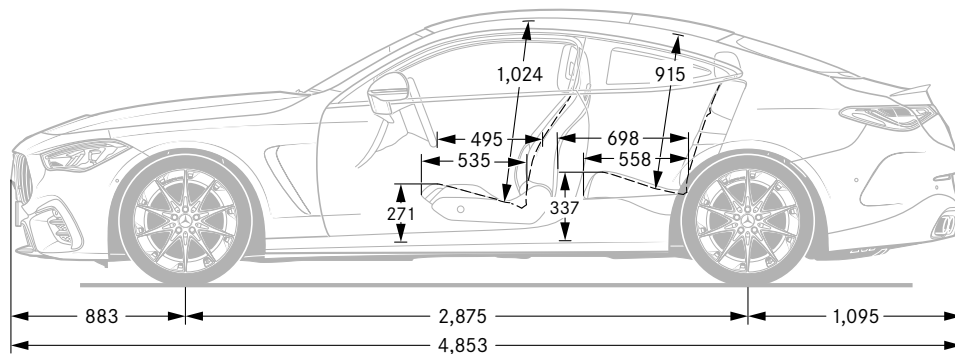
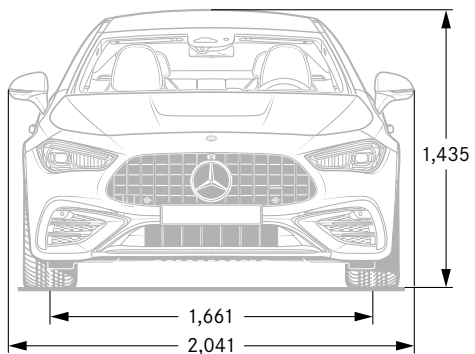


Find your CLE



Find a Showroom

# Mercedes-AMG CLE 53 4MATIC+



All measurements in millimetres. The dimensions shown are mean values and apply to standard-specification, unladen vehicles

Design	Technology	Plug-in Hybrid	Model lines	Upholstery	Model prices	Mercedes-AMG	Mercedes-AMG upholstery	Mercedes-AMG prices	Personalisation	Standard equipment	Technical data	Additional information
--------	------------	----------------	-------------	------------	--------------	--------------	-------------------------	---------------------	-----------------	--------------------	----------------	------------------------

[Book a test drive](#)[Find your CLE](#)[Find a Showroom](#)

# Technical data Cabriolet

- Standard

Model	CLE 200	CLE 220 d	CLE 300 4MATIC	CLE 450 4MATIC	Mercedes-AMG CLE 53 4MATIC+
<b>Engine</b>					
Fuel delivery	Petrol	Diesel	Petrol	Petrol	Petrol
Total displacement	cc 1,999	1,993	1,999	2,999	2,999
Arrangement/cylinders/valves	in-line/4/16	in-line/4/16	in-line/4/16	in-line/6/24	in-line/6/24
Power <sup>1</sup>	hp (kW) at rpm 204 (150)/5,800	197 (145)/3,600	258 (190)/5,800	381 (280)/5,800–6,100	449 (330)/5,800–6,100
Torque <sup>1</sup>	Nm at rpm 320/1,600–4,000	440/1,800–2,800	400/2,000–3,200	500/1,800–5,000	560/2,200–5,000
Compression ratio	10.0:1.0	15.5:1.0	10.0:1.0	10.5:1.0	10.5:1.0
Emissions standard	Euro 6e	Euro 6e	Euro 6e	Euro 6e	Euro 6e

<b>Transmission</b>					
9G-TRONIC PLUS 9-speed automatic	●	●	●	●	●

<b>Performance</b>					
Acceleration 0–62 mph	sec 7.9	7.9	6.6	4.7	4.4
Top speed	mph 147	145	155	155	155

<b>Weights and capacities</b>					
Kerb weight <sup>2</sup>	kg 1,925	2,000	2,005	2,080	2,110
Perm. Gross Vehicle Weight	kg 2,360	2,435	2,420	2,495	2,490
Boot capacity – seats up	l 385	385	385	385	375
Towing capacity – unbraked/braked	kg 750/1,800	750/1,800	750/1,800	750/1,800	750/1,800
Fuel tank capacity/of which reserve	l 66/7	66/7	66/7	66/7	65/7
Turning circle	m 11.2	11.2	11.7	11.7	12.3

<sup>1</sup>Figures according to Directive 80/1269/EEC in the currently applicable version    <sup>2</sup>Mass of the vehicle in running order with at least 90% full fuel tank, plus the mass of the driver (estimated by law at 75kg), fuel and fluids, equipped with the standard equipment as specified by the manufacturer as well as, where applicable, the mass of the body, cab, trailer coupling and spare wheel(s) as well as tools. Optional extras, additional equipment and accessories can influence the weight, residual payload, rolling resistance, aerodynamics, etc., and therefore also affect the consumption/CO<sub>2</sub> values

[Book a test drive](#)[Find your CLE](#)[Find a Showroom](#)

# Technical data Cabriolet

Model		CLE 200	CLE 220 d	CLE 300 4MATIC	CLE 450 4MATIC	Mercedes-AMG CLE 53 4MATIC+
<b>Fuel consumption<sup>3,4,5</sup></b>						
Combined (consumption dependent on chosen optional equipment)	l/100 km	6.8-6.7	4.9	7.4	8.0	9.6
	mpg	41.5-42.2	57.7	38.2	35.3	29.4

<b>Insurance</b>						
Group rating		40E-42E	41E-42E	44E	46E-47E	47E-48E

Insurance ratings may vary depending on model line and specification.

<sup>3</sup>All figures are based on a standard specification with the smallest tyre size available in the UK

<sup>4</sup>The choice of wheels and transmission may affect CO<sub>2</sub> emissions and corresponding Road Fund Licence

<sup>5</sup>The indicated values were determined according to the prescribed measurement method - Worldwide Harmonised Light Vehicle Test Procedure (WLTP). Figures shown may include options which are not available in the UK





Book a test drive

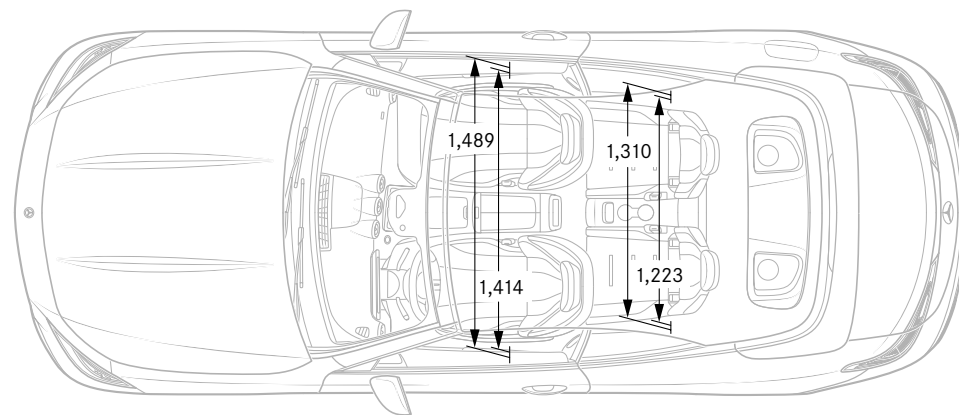
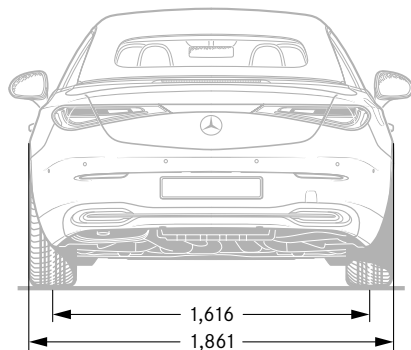
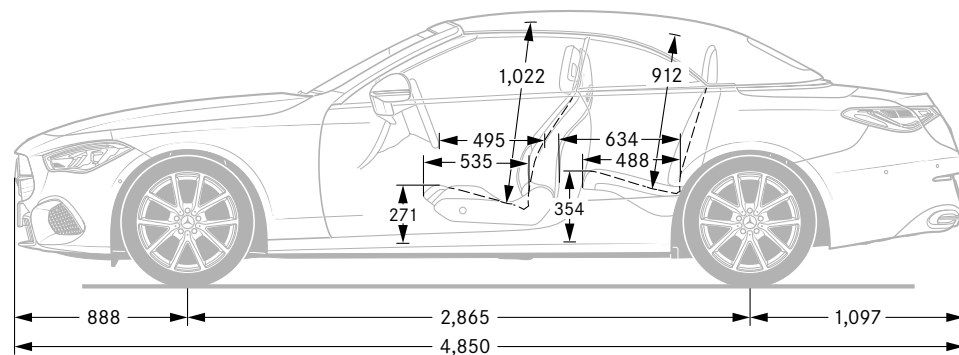
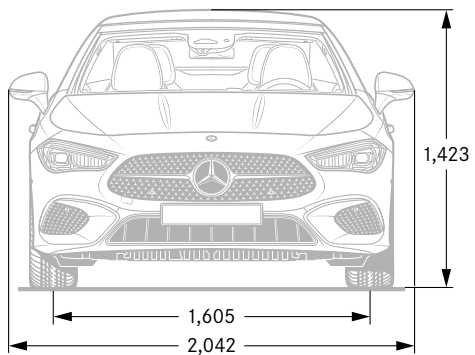


Find your CLE



Find a Showroom

## AMG Line



All measurements in millimetres. The dimensions shown are mean values and apply to standard-specification, unladen vehicles

Design	Technology	Plug-in Hybrid	Model lines	Upholstery	Model prices	Mercedes-AMG	Mercedes-AMG upholstery	Mercedes-AMG prices	Personalisation	Standard equipment	Technical data	Additional information
--------	------------	----------------	-------------	------------	--------------	--------------	-------------------------	---------------------	-----------------	--------------------	----------------	------------------------



Book a test drive

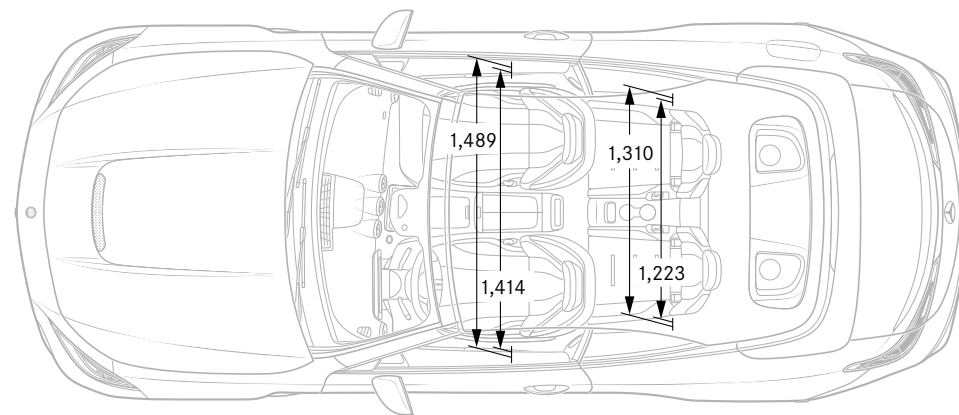
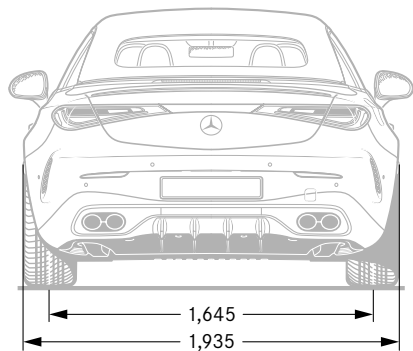
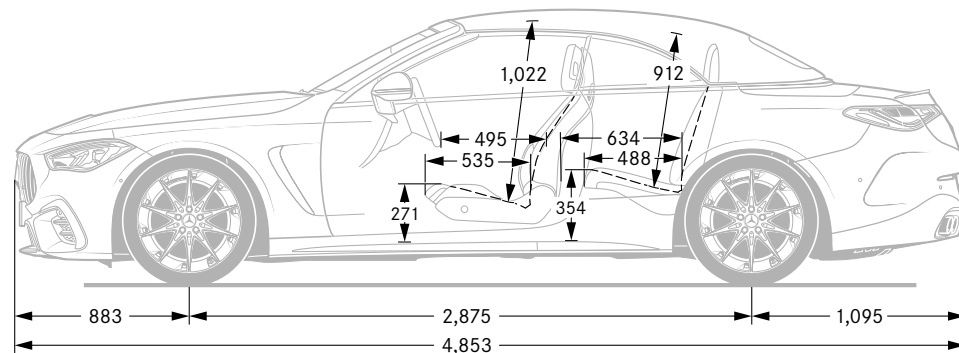
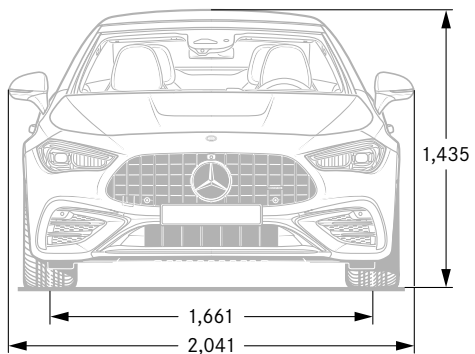


Find your CLE



Find a Showroom

# Mercedes-AMG CLE 53 4MATIC+



All measurements in millimetres. The dimensions shown are mean values and apply to standard-specification, unladen vehicles

Design	Technology	Plug-in Hybrid	Model lines	Upholstery	Model prices	Mercedes-AMG	Mercedes-AMG upholstery	Mercedes-AMG prices	Personalisation	Standard equipment	Technical data	Additional information
--------	------------	----------------	-------------	------------	--------------	--------------	-------------------------	---------------------	-----------------	--------------------	----------------	------------------------

# Road Fund Licence

All road vehicle registrations are subject to Vehicle Excise Duty (Road Fund Licence), which varies in accordance with the vehicle's CO<sub>2</sub> emissions. A first year rate for each taxation band will apply. The table below shows the bands (A-M) created by the DVLA and the corresponding Road Fund Licence. CO<sub>2</sub> emissions and the relevant Excise Duty are shown on the model pricing pages.

## VED applicable for registrations up to 31 March 2025

Band	CO <sub>2</sub> emissions (g/km)	First year rate petrol and RDE2 diesel (£)	First year rate alternative fuel (£)	Electric vehicles		Alternative fuel vehicles		Petrol/diesel vehicles	
				Standard rate (£)	Premium rate (£) <sup>1</sup>	Standard rate (£)	Premium rate (£) <sup>1</sup>	Standard rate (£)	Premium rate (£) <sup>1</sup>
A	0	0.00	0.00	0.00	0.00	0.00	0.00	0.00	0.00
B	1 to 50	10.00	0.00	0.00	0.00	180.00	590.00	190.00	600.00
C	51 to 75	30.00	20.00	0.00	0.00	180.00	590.00	190.00	600.00
D	76 to 90	135.00	125.00	0.00	0.00	180.00	590.00	190.00	600.00
E	91 to 100	175.00	165.00	0.00	0.00	180.00	590.00	190.00	600.00
F	101 to 110	195.00	185.00	0.00	0.00	180.00	590.00	190.00	600.00
G	111 to 130	220.00	210.00	0.00	0.00	180.00	590.00	190.00	600.00
H	131 to 150	270.00	260.00	0.00	0.00	180.00	590.00	190.00	600.00
I	151 to 170	680.00	670.00	0.00	0.00	180.00	590.00	190.00	600.00
J	171 to 190	1,095.00	1,085.00	0.00	0.00	180.00	590.00	190.00	600.00
K	191 to 225	1,650.00	1,640.00	0.00	0.00	180.00	590.00	190.00	600.00
L	226 to 255	2,340.00	2,330.00	0.00	0.00	180.00	590.00	190.00	600.00
M	over 255	2,745.00	2,735.00	0.00	0.00	180.00	590.00	190.00	600.00



Some of the model features, optional extras and colours shown may not be available, or may only be available in a different specification, or at a different price  
<sup>1</sup>Premium rate only applicable to vehicles where the list price is over £40,000 including any factory-fitted options, standard UK delivery charge and VAT





# Services and insurance

## Mercedes-Benz Service Plans

We believe that servicing and repair costs should be as flexible and affordable as possible for your CLE, which is why we offer a choice of Service Plans to make it easy to budget for all your servicing, MOT and repair costs. It spreads your bills into manageable monthly payments based on whether you have a new or used Mercedes-Benz.

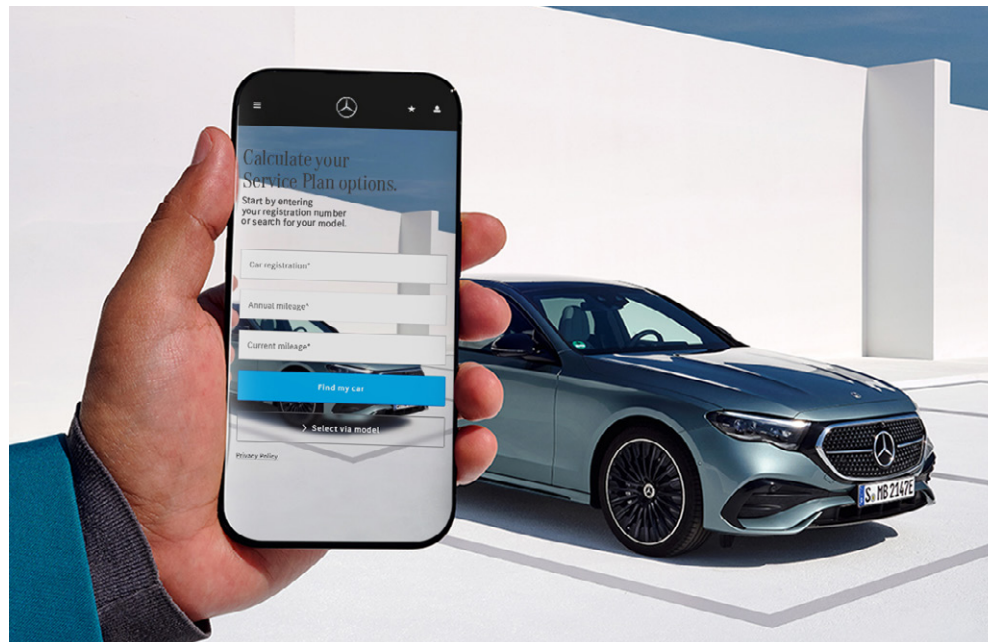
- **ServiceCare** – guarantees the price of parts and labour for up to four services and safeguards against any inflationary influences. It also covers your annual MOT fees depending on the age of your vehicle when you take your plan out.
- **CompleteCare** – our most comprehensive plan covering all your servicing, MOT, wear & tear needs as well as Extended Warranty once your vehicle turns four years old.
- **Extended Warranty** – protect yourself against sudden or unexpected repair costs after your initial warranty period has ended after three years. There are three policy options to choose from: 12-month, 24-month or a monthly pay-as-you-go option.

[Click here for more information](#)

## Motor Insurance

We know that once you have chosen your Mercedes-Benz you can't wait to drive it – that's why we created First Cover<sup>1</sup>. It gives you 5 days' free comprehensive Motor Insurance when you buy a new or used vehicle from a Mercedes-Benz Agent. We will also send you a quote for annual cover, so you can enjoy the same peace of mind all year round.

[Apply for First Cover](#)



## Warranty and breakdown cover

Every Mercedes-Benz comes with a three-year unlimited mileage warranty against manufacturing or material defects<sup>2</sup> and up to 30 years warranty against perforation due to corrosion from the inside out.<sup>3</sup> What's more, it's also covered by Mercedes-Benz Roadside Assistance – a unique package comprising up to 30 years pan-European breakdown assistance.<sup>3</sup>

<sup>1</sup>Terms and Conditions apply. We are an independent intermediary dealing with selected insurers in respect of annual insurance

<sup>2</sup>Applies to vehicles sold by Mercedes-Benz in the UK to its franchised Mercedes-Benz Agents

<sup>3</sup>Subject to full Terms and Conditions, dependent on date of registration, available upon request

Design	Technology	Plug-in Hybrid	Model lines	Upholstery	Model prices	Mercedes-AMG	Mercedes-AMG upholstery	Mercedes-AMG prices	Personalisation	Standard equipment	Technical data	Additional information
--------	------------	----------------	-------------	------------	--------------	--------------	-------------------------	---------------------	-----------------	--------------------	----------------	------------------------



Effective from December 2024 Production. Information correct at time of publication 08.10.2024.

Prices and specifications are subject to change without prior notice.

MBC236PL/0225 MY805

