



The C-Class

Saloon and Estate

Effective from December 2024 Production.

Mercedes-Benz





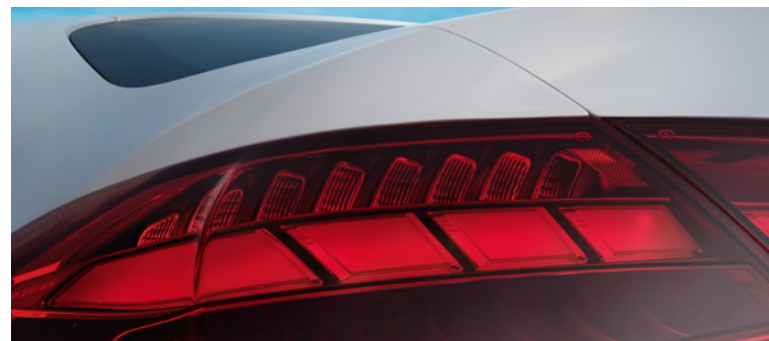
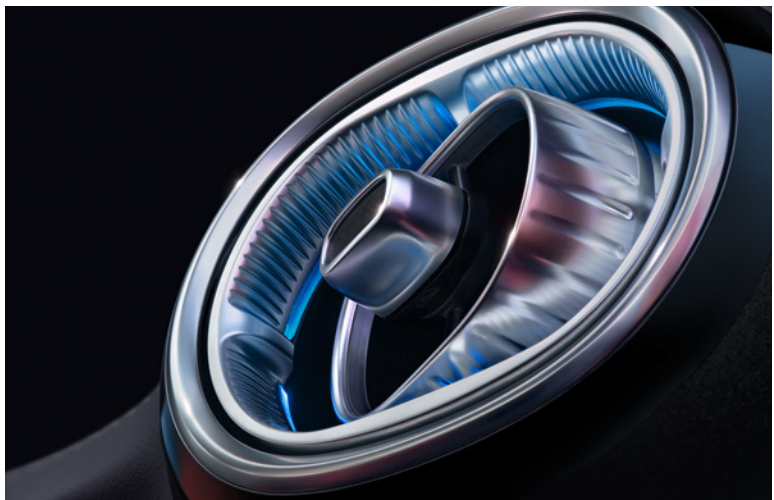
Book a test drive



Find your C-Class



Find a Showroom



Some of the model features, optional extras and colours shown may not be available, or may only be available in a different specification, or at a different price.

Design	Technology	Plug-in Hybrid	Model lines	Upholstery	Model prices	Mercedes-AMG	Mercedes-AMG upholstery	Mercedes-AMG prices	Personalisation	Standard equipment	Genuine accessories	Technical data	Additional information
--------	------------	----------------	-------------	------------	--------------	--------------	-------------------------	---------------------	-----------------	--------------------	---------------------	----------------	------------------------

[Book a test drive](#)[Find your C-Class](#)[Find a Showroom](#)

Some of the model features, optional extras and colours shown may not be available, or may only be available in a different specification, or at a different price.

Design	Technology	Plug-in Hybrid	Model lines	Upholstery	Model prices	Mercedes-AMG	Mercedes-AMG upholstery	Mercedes-AMG prices	Personalisation	Standard equipment	Genuine accessories	Technical data	Additional information
------------------------	----------------------------	--------------------------------	-----------------------------	----------------------------	------------------------------	------------------------------	---	-------------------------------------	---------------------------------	------------------------------------	-------------------------------------	--------------------------------	--



Book a test drive



Find your C-Class



Find a Showroom



Some of the model features, optional extras and colours shown may not be available, or may only be available in a different specification, or at a different price.

Design	Technology	Plug-in Hybrid	Model lines	Upholstery	Model prices	Mercedes-AMG	Mercedes-AMG upholstery	Mercedes-AMG prices	Personalisation	Standard equipment	Genuine accessories	Technical data	Additional information
--------	------------	----------------	-------------	------------	--------------	--------------	-------------------------	---------------------	-----------------	--------------------	---------------------	----------------	------------------------

[Book a test drive](#)[Find your C-Class](#)[Find a Showroom](#)

Some of the model features, optional extras and colours shown may not be available, or may only be available in a different specification, or at a different price.

Design	Technology	Plug-in Hybrid	Model lines	Upholstery	Model prices	Mercedes-AMG	Mercedes-AMG upholstery	Mercedes-AMG prices	Personalisation	Standard equipment	Genuine accessories	Technical data	Additional information
------------------------	----------------------------	--------------------------------	-----------------------------	----------------------------	------------------------------	------------------------------	---	-------------------------------------	---------------------------------	------------------------------------	-------------------------------------	--------------------------------	--

[Book a test drive](#)[Find your C-Class](#)[Find a Showroom](#)

Some of the model features, optional extras and colours shown may not be available, or may only be available in a different specification, or at a different price.

Design	Technology	Plug-in Hybrid	Model lines	Upholstery	Model prices	Mercedes-AMG	Mercedes-AMG upholstery	Mercedes-AMG prices	Personalisation	Standard equipment	Genuine accessories	Technical data	Additional information
------------------------	----------------------------	--------------------------------	-----------------------------	----------------------------	------------------------------	------------------------------	---	-------------------------------------	---------------------------------	------------------------------------	-------------------------------------	--------------------------------	--



Book a test drive



Find your C-Class



Find a Showroom



Some of the model features, optional extras and colours shown may not be available, or may only be available in a different specification, or at a different price.

Design	Technology	Plug-in Hybrid	Model lines	Upholstery	Model prices	Mercedes-AMG	Mercedes-AMG upholstery	Mercedes-AMG prices	Personalisation	Standard equipment	Genuine accessories	Technical data	Additional information
--------	------------	----------------	-------------	------------	--------------	--------------	-------------------------	---------------------	-----------------	--------------------	---------------------	----------------	------------------------



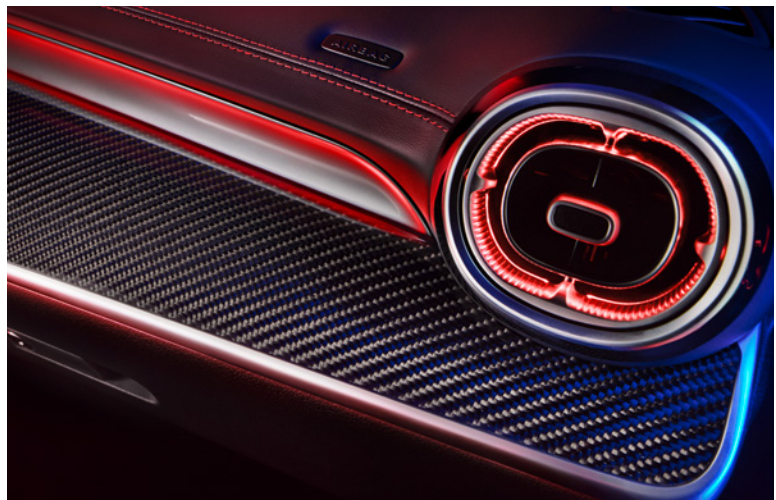
Book a test drive



Find your C-Class



Find a Showroom



Some of the model features, optional extras and colours shown may not be available, or may only be available in a different specification, or at a different price.

Design	Technology	Plug-in Hybrid	Model lines	Upholstery	Model prices	Mercedes-AMG	Mercedes-AMG upholstery	Mercedes-AMG prices	Personalisation	Standard equipment	Genuine accessories	Technical data	Additional information
--------	------------	----------------	-------------	------------	--------------	--------------	-------------------------	---------------------	-----------------	--------------------	---------------------	----------------	------------------------



Book a test drive



Find your C-Class



Find a Showroom



Some of the model features, optional extras and colours shown may not be available, or may only be available in a different specification, or at a different price.

Design	Technology	Plug-in Hybrid	Model lines	Upholstery	Model prices	Mercedes-AMG	Mercedes-AMG upholstery	Mercedes-AMG prices	Personalisation	Standard equipment	Genuine accessories	Technical data	Additional information
--------	------------	----------------	-------------	------------	--------------	--------------	-------------------------	---------------------	-----------------	--------------------	---------------------	----------------	------------------------

[Book a test drive](#)[Find your C-Class](#)[Find a Showroom](#)

Some of the model features, optional extras and colours shown may not be available, or may only be available in a different specification, or at a different price.

Design	Technology	Plug-in Hybrid	Model lines	Upholstery	Model prices	Mercedes-AMG	Mercedes-AMG upholstery	Mercedes-AMG prices	Personalisation	Standard equipment	Genuine accessories	Technical data	Additional information
------------------------	----------------------------	--------------------------------	-----------------------------	----------------------------	------------------------------	------------------------------	---	-------------------------------------	---------------------------------	------------------------------------	-------------------------------------	--------------------------------	--



Book a test drive



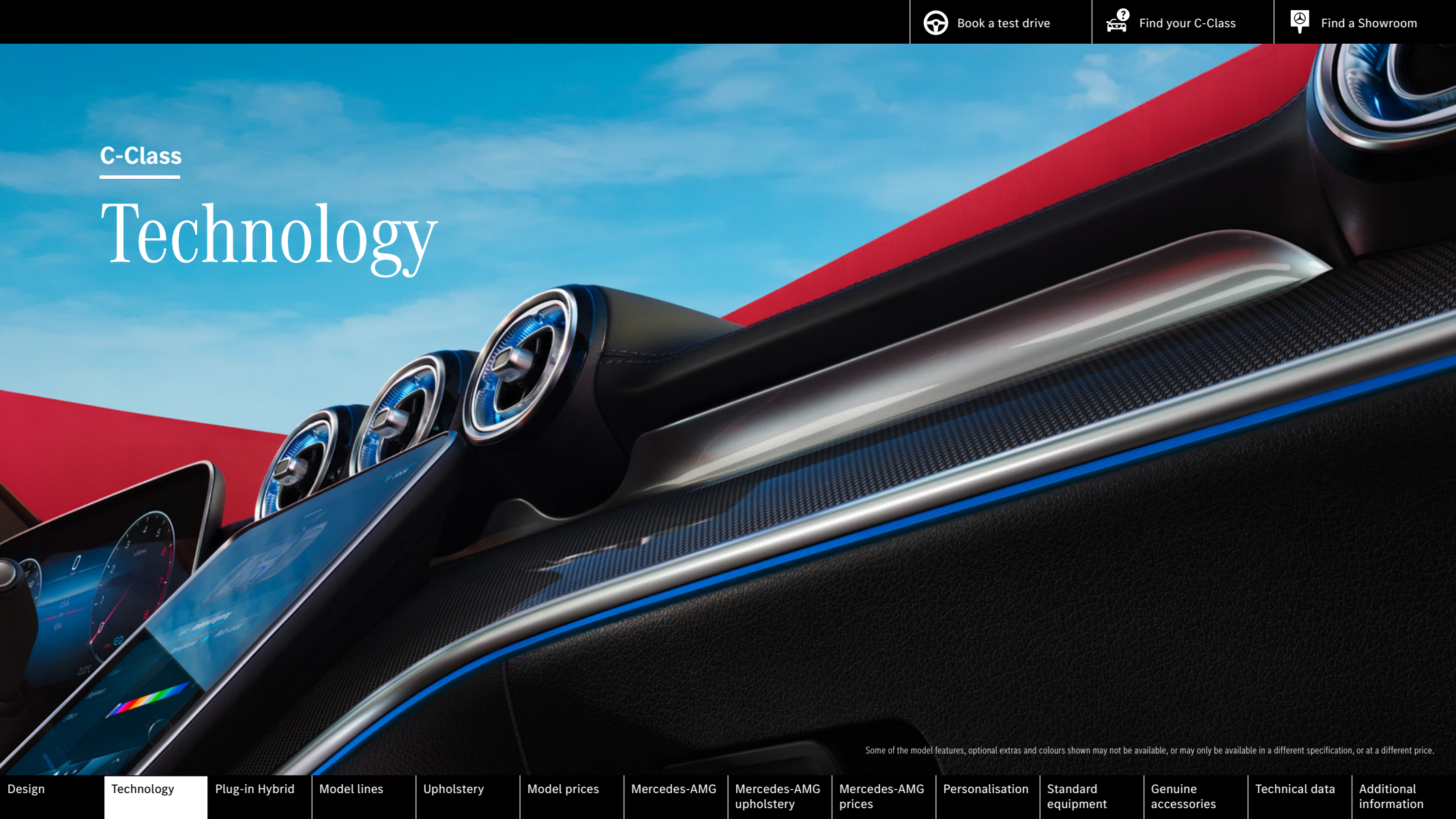
Find your C-Class



Find a Showroom

C-Class

Technology



Some of the model features, optional extras and colours shown may not be available, or may only be available in a different specification, or at a different price.

Design

Technology

Plug-in Hybrid

Model lines

Upholstery

Model prices

Mercedes-AMG

Mercedes-AMG
upholstery

Mercedes-AMG
prices

Personalisation

Standard
equipment

Genuine
accessories

Technical data

Additional
information

Mercedes-Benz User Experience (MBUX)

Transforming the in-car user experience, thanks to MBUX: Controlled via voice or touch input, the innovative infotainment system can over time even predict personal habits thanks to artificial intelligence.



Voice control

- Activated by the keywords “Hey Mercedes”, the new intelligent voice control LINGUATRONIC¹ lets you control many of the infotainment functions, including destination input, phone calls or music selection
- MBUX is able to understand different accents and will adjust to you over time
- MBUX even understands indirect commands. Feeling chilly? Just say “I feel cold” and MBUX will adjust the temperature for you

Personalisation

- Turn the C-Class into your very own Mercedes-Benz by personalising driving modes, radio stations and much more
- Your personal settings can be saved in up to seven different profiles, making your driving experience the best one possible
- Thanks to artificial intelligence, MBUX is able to learn and adapt over time. It will be able to predict your personal habits, such as navigation for frequently-driven routes, or the radio station you like to listen to on your way home from work

Touch inputs

- Beside voice control you can operate MBUX via touchscreen on the centre console, as well as touch control buttons on the steering wheel

Maintenance and service

- Wondering when the next service is due? Or how much further you can drive until you need to stop at a petrol station? Just ask your MBUX – it will tell you the answer

The connection of the communication module to the mobile phone network including the emergency call system depends on the respective network coverage and availability of network providers

¹LINGUATRONIC off-board functions are currently only available for three years

Design	Technology	Plug-in Hybrid	Model lines	Upholstery	Model prices	Mercedes-AMG	Mercedes-AMG upholstery	Mercedes-AMG prices	Personalisation	Standard equipment	Genuine accessories	Technical data	Additional information
--------	------------	----------------	-------------	------------	--------------	--------------	-------------------------	---------------------	-----------------	--------------------	---------------------	----------------	------------------------

[Book a test drive](#)[Find your C-Class](#)[Find a Showroom](#)

DIGITAL LIGHT

High-definition headlamps with innovative features

● Standard – Not available

The innovative DIGITAL LIGHT headlamps works like a projector with more than one million pixels per headlamp and responds with brilliant light to changing traffic, road or weather conditions. Its ULTRA RANGE Highbeam with 650 m makes you feel like driving at daylight.

Model line	DIGITAL LIGHT	DIGITAL LIGHT with projection function
Urban Edition	–	–
AMG Line	–	–
AMG Line Premium	●	–
AMG Line Premium Plus	●	–
Mercedes-AMG C43 4MATIC Premium	●	–
Mercedes-AMG C43 4MATIC Night Edition Premium Plus	●	–
Mercedes-AMG C43 4MATIC Edition Midnight	–	●
Mercedes-AMG C63 S e 4MATIC+ Night Edition Premium Plus	●	–
Mercedes-AMG C63 S e 4MATIC+ Carbon Edition	●	–



Digital Extras Stay connected any time, anywhere.

Digital Extras are a range of innovative online services designed to enhance your Mercedes-Benz experience. Accessible via mobile, tablet or PC, Digital Extras let you enjoy the highest standards of care and support, in a way that integrates seamlessly with your busy lifestyle.

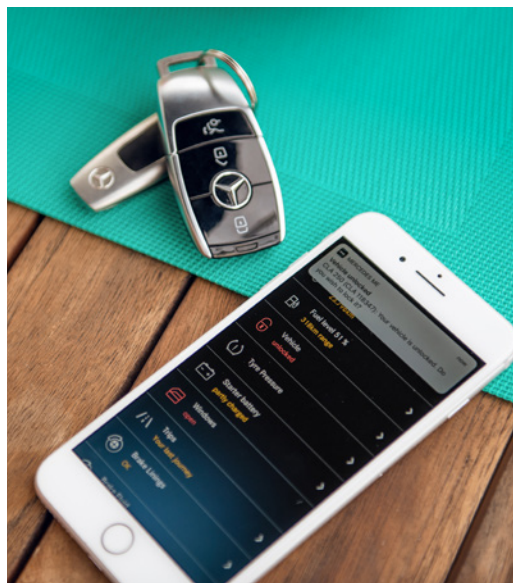
Safety and Service – Digital Extras help to keep you and your car safe
 Check your car's oil level, tyre pressure and fuel from your phone so you'll be ready for every journey.



Live Traffic Information, Parked Vehicle Locator and much more
 Forgot where you've parked? Parked Vehicle Locator¹ will show you exactly where your car is as long as you're in a 1-mile radius of where you parked. Real-time traffic data and dynamic route with shorter journey times.

For more information speak to your local Mercedes-Benz Agent or visit the Mercedes-Benz store at shop.mercedes-benz.com/en-gb/connect

Comfort – connect to your car anytime, anywhere
 Forgot to lock your car? With Remote Car Lock² you will receive a notification on your smartphone to let you know. With one tap, you can lock and unlock your vehicle so you never have to worry.



The connection of the communication module to the mobile phone network including the emergency call system depends on the respective network coverage and availability of network providers
¹Available on all models with the Vehicle Monitoring package. This option may vary between standard and additional cost dependent on the model
²Part of the Vehicle Status package. This option may vary between standard and additional cost dependent on the model
 Images shown are for illustration purposes only

Design	Technology	Plug-in Hybrid	Model lines	Upholstery	Model prices	Mercedes-AMG	Mercedes-AMG upholstery	Mercedes-AMG prices	Personalisation	Standard equipment	Genuine accessories	Technical data	Additional information
--------	------------	----------------	-------------	------------	--------------	--------------	-------------------------	---------------------	-----------------	--------------------	---------------------	----------------	------------------------

C-Class

Plug-in Hybrid



Some of the model features, optional extras and colours shown may not be available, or may only be available in a different specification, or at a different price.

Design	Technology	Plug-in Hybrid	Model lines	Upholstery	Model prices	Mercedes-AMG	Mercedes-AMG upholstery	Mercedes-AMG prices	Personalisation	Standard equipment	Genuine accessories	Technical data	Additional information
------------------------	----------------------------	--------------------------------	-----------------------------	----------------------------	------------------------------	------------------------------	---	-------------------------------------	---------------------------------	------------------------------------	-------------------------------------	--------------------------------	--

[Book a test drive](#)[Find your C-Class](#)[Find a Showroom](#)

Plug-in Hybrid Electric Vehicle (PHEV) The C 300 e and Mercedes-AMG C 63 S e 4MATIC+.

Plug-in hybrid vehicles enjoy the same functionality of full Hybrid technology, with the added benefit that they can be charged from an external electricity source. With CO₂ emissions of 13 g/km or less, the Plug-in Hybrid is an environmentally conscious choice of driving.

C 300 e

Petrol – 1,999 cc, 4-cylinder, 204 hp/150 kW
Electric motor – 129 hp/95 kW

Available as:

Urban Edition, AMG Line (Saloon only), AMG Line Premium and AMG Line Premium Plus

Saloon OTR from **£49,860¹**
Estate OTR from **£52,110¹**

Mercedes-AMG C 63 S e 4MATIC+

Petrol – 1,991 cc, 4-cylinder, 476 hp/350 kW
Electric motor – 204 hp/150 kW

Available as:

Mercedes-AMG Night Edition Premium Plus and Carbon Edition

Saloon OTR from **£97,530¹**
Estate OTR from **£99,280¹**

Standard equipment

Acoustic ambient protection – the tone pitch changes depending on the driving conditions. You can therefore also differentiate whether you are braking or accelerating. Above 19 mph, the system is basically deactivated since wind and tyre noise tend to dominate at higher speeds

Charging cable – Mode 2 cable (5 metres, straight) for domestic socket

Charging cable – Mode 3 cable (5 metres, straight) for wallbox and public charging stations

Charging socket

Charging system – rated at 11 kW AC (C 300 e only) – rated at 3.7 kW AC (Mercedes-AMG C 63 S only)

Charging system – rated at 55 kW DC (C 300 e only)

Comfort suspension

Pre-entry climate control⁷

Radar-based recuperation

Remote and Charging Services Plus⁷

Technical details – C 300 e

Equivalent All-Electric Range (EAER) ²	Saloon: 70–71 miles Estate: 67–68 miles
Charging time	
Wallbox (7.4 kW AC) 10–100% ³	3 hrs
Wallbox (11 kW AC) 10–100% ³	2 hrs
DC charging (55 kW DC) 10–80% ⁴	20 mins
Range power consumption, combined ^{2,5}	Saloon: 193–199 wh/100 km Estate: 202–206 wh/100 km
Battery type (usable)	lithium-ion (19.5 kWh)
Capacity on-board charger	11 kW AC/55 kW DC

Technical details – Mercedes-AMG C 63 S e 4MATIC+

Equivalent All-Electric Range (EAER) ²	Saloon: up to 7 miles Estate: up to 7 miles
Charging time	
Wallbox (3.7 kW AC) 25–80% ⁶	1 hr 40 mins
Range power consumption, combined ^{2,5}	Saloon: 430 wh/100 km Estate: 430 wh/100 km
Battery type (usable)	lithium-ion (4.8 kWh)
Capacity on-board charger	3.7 kW AC



¹The recommended on-the-road price includes the Road Fund Licence applicable to the standard model plus delivery charge (£730.00 incl. VAT), new vehicle registration fee (£55.00), fuel (£50.00 incl. VAT), and number plates (£25.00 incl. VAT). VAT is calculated at the standard rate of 20%. Some of the model features, optional extras and colours shown may not be available, or may only be available in a different specification, or at a different price
²The indicated values were determined according to the prescribed measurement method - Worldwide Harmonised Light Vehicle Test Procedure (WLTP). Figures shown may include options which are not available in the UK. For Plug-in Hybrid Electric Vehicle (PHEV) figures determined with the battery fully charged, using a combination of both battery power and fuel. These models require mains electricity for charging
³Specified voltage and current values refer to network infrastructure and can be limited by the vehicle. Times are from 10–100% charge using a wallbox (three-phase) or standard socket (single-phase)
⁴Specified voltage and current values refer to network infrastructure and can be limited by the vehicle. Times are from 10–80% charge using a wallbox (three-phase) or standard socket (single-phase)
⁵The certified electrical consumption is generally determined at maximum AC charging capacity using a Mode 3 cable. It is therefore recommended that vehicles with a HV battery preferably be charged at a wallbox or an AC charging station with a Mode 3 cable in order to achieve shorter charging times and improved charging efficiency
⁶Specified voltage and current values refer to network infrastructure and can be limited by the vehicle. Times are from 25–80% charge using a wallbox (three-phase) or standard socket (single-phase)
⁷The connection of the communication module to the mobile phone network including the emergency call system depends on the respective network coverage and availability of network providers

MB.CHARGE Public¹ One registration, one contract, one billing.

MB.CHARGE Public¹ provides access to a multitude of public charging stations located in shopping centres, hotels or at motorway services. A smartphone app as well as the vehicle's navigation system show the precise location, current availability and price at the selected charging station.

Tens of thousands charging stations in the UK

Growing network of charging providers includes bp pulse the largest charging network in the UK.



Access to fast-charging stations

Enables customers to get access to charging stations of different providers with:

- Mercedes-Benz app
- RFID card
- Vehicle Head unit

Green charging

All charging using MB.CHARGE Public¹ will be retrospectively 'greened' by Mercedes-Benz. Please click [here](#) for more info.

Transparent and easy billing

One invoice charging processes for payment.

Easy access

Charging stations are displayed in Mercedes-Benz app and in MBUX multimedia system.

No fees

MB.CHARGE Public¹ is standard for one year with discounted IONITY rapid-charging for one year.



¹The connection of the communication module to the mobile phone network including the emergency call system depends on the respective network coverage and availability of network providers you not wish to continue with the tariff, your cancellation rights and current pricing can be found <https://eu.charge.mercedes-benz.com/web/en/mb-gb/tariffs>

Price information is not guaranteed and is subject to change. Please be aware that this tariff will automatically renew after the 1 year promotion period - for definitive pricing information or should

MB.CHARGE Public¹ Tariffs

For more transparency and predictability, enjoy numerous features tailored to your charging habits with the MB.CHARGE Public¹ fixed-priced tariffs S, M and L. Owners of a new Plug-in Hybrid model will be entitled to the MB.CHARGE Public¹ tariff M free of charge for the duration of 12 months.

Tariff L

Recommended for 'frequent drivers'

Choose our tariff L to benefit from the best fixed prices for public charging, including discounted rapid-charging at IONITY charging stations as well as all MB.CHARGE Public¹ features. This tariff is recommended for frequent and long-distance drivers.

Consisting of:

- All MB.CHARGE Public¹ features
- Fixed prices per kWh (AC: £0.45/kWh, after 300 mins + £0.06/min; DC: £0.62/kWh)²
- IONITY rapid-charging stations discounted (£0.53/kWh)

£10.90/month

Tariff M

Recommended for 'regular drivers'

Owners of a new Plug-in Hybrid model are entitled to the tariff M free of charge for 12 months, benefitting from fixed prices, discounted rapid-charging at IONITY charging stations and complete transparency. This tariff is recommended for regular drivers.

Consisting of:

- All MB.CHARGE Public¹ features
- Fixed prices per kWh (AC: £0.52/kWh, after 300 mins + £0.06/min; DC: £0.69/kWh)²
- IONITY rapid-charging stations discounted (£0.60/kWh)

Free of charge for the duration of 12 months.

Thereafter:

£4.90/month

Tariff S

Recommended for 'casual drivers'

Should you wish to downgrade your tariff package after 12 months, there is the option to go for tariff S, which still offers you all the MB.CHARGE Public¹ features based on flexible prices per kWh. This tariff is recommended for casual drivers.

Consisting of:

- All MB.CHARGE Public¹ features
- Flexible prices per kWh

£0/month



¹The connection of the communication module to the mobile phone network including the emergency call system depends on the respective network coverage and availability of network providers
²Tariff rate excludes the BP Pulse charging network
 promotion period - for definitive pricing information or should you not wish to continue with the tariff, your cancellation rights and current pricing can be found <https://eu.charge.mercedes-benz.com/web/en/mb-gb/tariffs>

Price information is not guaranteed and is subject to change. Please be aware that this tariff will automatically renew after the 1 year

Next generation of home EV charging with Ohme

Mercedes-Benz plug-in vehicle customers with off-street parking can benefit from the convenience and speed of charging at home by installing an Ohme charger.

Home charging with Ohme: from £925* incl. VAT and standard installation

Key benefits of Ohme:

Ohme specialise in providing future-proof electric vehicle charging solutions, in particular smart, affordable and easy-to-use charging products.

Save money: If you have a time-of-use tariff or a variable tariff, you'll pay less for your electricity at certain times of the day. Ohme uses your tariff information to charge your vehicle when the price is low to maximise your savings.

Ohme is the only EV charging provider to integrate with all energy tariffs, including Intelligent Octopus and OVO Charge Anytime – the next generation, smart EV charging tariffs.

Easy installation process.

Choice of tethered or untethered units.

Award-winning customer service – check Trustpilot for more information.

A 3-year warranty is included.

Connect your charger to the Ohme smartphone app to unlock smarter and cheaper charging at home. Easy-to-use, the Ohme app will give you full control to get more from your EV.

Ohme's chargers are compliant with the UK New Smart Charger Regulations for complete peace of mind.

OZEV Grant:

You may be entitled to claim for an OZEV grant towards the cost of your home charger!¹ To find out whether you are entitled please contact your local Mercedes-Benz Agent.

Questions?

Please contact your local Mercedes-Benz Agent to submit an enquiry to your chosen charging partner on your behalf. To find your local Mercedes-Benz Agent, please click the button at the top right hand corner.

Warning!

If you are planning to charge your Mercedes-Benz plug-in electric vehicle using a 3-pin domestic plug socket you must get a qualified electrician to inspect and sign off the socket to confirm it is safe and suitable to charge your vehicle. Do not use an electric vehicle 3-pin charge cable with an extension cord.



*Price excludes £350 OZEV EVHS Grant. Price correct at time of publication, subject to change
¹The home charger £350 Grant (including VAT) is only available to customers who meet the criteria of the Office for Zero Emission Vehicles (OZEV). For full details and eligibility criteria for the OZEV EVHS Grant, see <https://www.gov.uk/government/publications/electric-vehicle-homecharge-scheme-guidance-for-customers-version-21>.

Home charging with Pod Point Simple, convenient, fast charging.



Mercedes-Benz plug-in vehicle customers with off-street parking can benefit from the convenience and speed of charging at home by installing a Pod Point home charger.

Home charging with Pod Point: from £925* incl. VAT and standard installation

For full terms and conditions please visit <https://pod-point.com/legal/home-charger-terms-of-sale>

Key benefits of Pod Point:

Pod Point is one of the leading provider of EV charging in the UK with over 250,000 home chargepoints installed.

Auto Power Balancing lets you adjust your charge so that your electrical supply doesn't get overloaded when your home is using a lot of energy.

Built-in earthing protection removes the needs for expensive earth rods.

Choice of tethered or untethered units; £925 for a 7 kW universal, and £975 for 7 kW tethered.

The Pod Point public network consists of over 9,200 charging bays across the UK.

5 year warranty as standard, free of charge.

The standard installation package includes up to 15m of external cabling.

Utilise charge scheduling in conjunction with an off-peak EV tariff to reduce your charging costs by up to 70% compared with the current Energy Price Cap.¹

OZEV Grant:

You may be entitled to claim for an OZEV grant towards the cost of your home charger²

To find out whether you are entitled please contact your local Mercedes-Benz Agent.

Questions?

Please contact your local Mercedes-Benz Agent to submit an enquiry to your chosen charging partner on your behalf. To find your local Mercedes-Benz Agent, please click the button at the top right hand corner.

Warning!

If you are planning to charge your Mercedes-Benz plug-in electric vehicle using a 3-pin domestic plug socket you must get a qualified electrician to inspect and sign off the socket to confirm it is safe and suitable to charge your vehicle. Do not use an electric vehicle 3-pin charge cable with an extension cord.



*Price excludes £350 OZEV EVHS Grant. Price correct at time of publication, subject to change ¹Based on an off-peak tariff of 8 p/kWh compared with the energy price cap until 31 March 2025 of 24.86 p/kWh ²The home charger £350 Grant (including VAT) is only available to customers who meet the criteria of the Office for Zero Emission Vehicles (OZEV). For full details and eligibility criteria for the OZEV EVHS Grant, see <https://www.gov.uk/government/publications/electric-vehicle-homecharge-scheme-guidance-for-customers-version-21>.



Book a test drive



Find your C-Class



Find a Showroom

C-Class Model lines overview

Urban Edition »



AMG Line »



AMG Line Premium »



AMG Line Premium Plus »



Design	Technology	Plug-in Hybrid	Model lines	Upholstery	Model prices	Mercedes-AMG	Mercedes-AMG upholstery	Mercedes-AMG prices	Personalisation	Standard equipment	Genuine accessories	Technical data	Additional information
--------	------------	----------------	-------------	------------	--------------	--------------	-------------------------	---------------------	-----------------	--------------------	---------------------	----------------	------------------------

C-Class Urban Edition Standard equipment highlights



Option shown: high-tech silver metallic (code 922)



Option shown: high-tech silver metallic (code 922)

Engine, Transmission and Suspension

11 kW AC, 55 kW DC rapid charging

Comfort and self levelling suspension

DYNAMIC SELECT with a choice of driving modes (Comfort, ECO, Sport and Individual)

Saloon OTR from £49,860¹

Estate OTR from £52,110¹

¹The recommended on-the-road price includes the Road Fund Licence applicable to the standard model plus delivery charge (£730.00 incl. VAT), new vehicle registration fee (£55.00), fuel (£50.00 incl. VAT), and number plates (£25.00 incl. VAT). VAT is calculated at the standard rate of 20%. Some of the model features, optional extras and colours shown may not be available, or may only be available in a different specification, or at a different price

Exterior

18" AMG alloy wheels – 5-spoke design, aerodynamically optimised, painted black with a high-shine finish (code RSK)

Ambient lighting with projection of brand logo

AMG Line exterior

LED High Performance headlamps with Adaptive Highbeam Assist

Mirror package

Night package

Panoramic glass sunroof (Estate only)

Privacy glass – heat-insulating, dark-tinted glass

Roof rails in black (Estate only)

Summer tyres





Interior

- AMG floor mats
- AMG Line interior
- Double cup holder
- Fingerprint scanner
- Interior Lighting package – lighting of footwells, door handle recesses, as well as rear reading lamps (LED) and courtesy lamps in all doors
- Multifunction sports steering wheel in nappa leather

- Seat Comfort package for driver and front passenger seat.
- Electro-pneumatic four-way lumbar support and manual seat cushion depth adjustment (6 cm)
- Seats – folding rear seat backrest
- Seats – heated front seats
- Stowage Space package
- THERMATIC two-zone automatic climate control

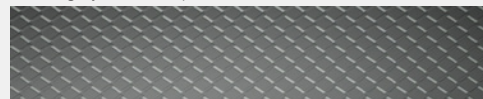
Communications, Safety and Assistance Systems

- 11.9-inch high-resolution multimedia colour display
- 12.3-inch digital instrument cluster display
- MBUX extended functions¹
- MBUX Navigation Premium¹
- Parking package with reversing camera
- Smartphone integration²
- URBAN GUARD vehicle protection¹ (Thatcham Category 1)
- USB package
- Wireless charging²



Trim and Upholstery

- Silver grey diamond-pattern trim
- ARTICO man-made leather/MICROCUT microfibre – black



¹The connection of the communication module to the mobile phone network including the emergency call system depends on the respective network coverage and availability of network providers

²Compatible mobile phone required

C-Class AMG Line Standard equipment highlights



Engine, Transmission and Suspension

Comfort and self levelling suspension (C 300 e only)

Sports suspension with selective damping system, lowered by 15 mm including Sports Direct Steer system (excluding C 300 e)

Exterior

18" AMG alloy wheels – 5-spoke design, aerodynamically optimised, painted tantalite grey with a high-sheen finish (code RSJ)

LED High Performance headlamps with Adaptive Highbeam Assist

Mirror package

Roof rails in aluminium finish (Estate only)

Summer tyres



Saloon OTR from **£45,120¹**
 Estate OTR from **£46,870¹**

¹The recommended on-the-road price includes the Road Fund Licence applicable to the standard model plus delivery charge (£730.00 incl. VAT), new vehicle registration fee (£55.00), fuel (£50.00 incl. VAT), and number plates (£25.00 incl. VAT). VAT is calculated at the standard rate of 20%. Some of the model features, optional extras and colours shown may not be available, or may only be available in a different specification, or at a different price

Design	Technology	Plug-in Hybrid	Model lines	Upholstery	Model prices	Mercedes-AMG	Mercedes-AMG upholstery	Mercedes-AMG prices	Personalisation	Standard equipment	Genuine accessories	Technical data	Additional information
--------	------------	----------------	-------------	------------	--------------	--------------	-------------------------	---------------------	-----------------	--------------------	---------------------	----------------	------------------------



Interior

Ambient lighting Premium

Illuminated door sills with 'Mercedes-Benz' lettering

Memory package – driver's seat, front passenger seat, steering column and exterior mirrors electrically adjustable with memory

Seats – heated seats (front)

THERMATIC two-zone automatic climate control

Communications, Safety and Assistance Systems

Blind Spot Assist

Parking package with reversing camera

Remote services¹ (excluding C300 e)

Smartphone integration²

Traffic Sign Assist

USB package Plus

Wireless charging²

Trim and Upholstery

Metal-weave trim



ARTICO man-made leather – black



¹The connection of the communication module to the mobile phone network including the emergency call system depends on the respective network coverage and availability of network providers

²Compatible mobile phone required

Design	Technology	Plug-in Hybrid	Model lines	Upholstery	Model prices	Mercedes-AMG	Mercedes-AMG upholstery	Mercedes-AMG prices	Personalisation	Standard equipment	Genuine accessories	Technical data	Additional information
--------	------------	----------------	-------------	------------	--------------	--------------	-------------------------	---------------------	-----------------	--------------------	---------------------	----------------	------------------------

C-Class AMG Line Premium Standard equipment highlights



Option shown: MANUFAKTUR alpine grey solid (code 956)

Saloon OTR from **£48,620¹**
 Upgrade price from AMG Line £3,500
 Estate OTR from **£50,780¹**
 Upgrade price from AMG Line £3,910

¹The recommended on-the-road price includes the Road Fund Licence applicable to the standard model plus delivery charge (£730.00 incl. VAT), new vehicle registration fee (£55.00), fuel (£50.00 incl. VAT), and number plates (£25.00 incl. VAT). VAT is calculated at the standard rate of 20%. Some of the model features, optional extras and colours shown may not be available, or may only be available in a different specification, or at a different price



Option shown: MANUFAKTUR alpine grey solid (code 956)

In addition to/replacement of AMG Line:

Exterior

18" AMG alloy wheels – 5-spoke design, aerodynamically optimised, painted tantalite grey with a high-sheen finish (C300 e only) (code RSJ)

19" AMG alloy wheels – 5-twin-spoke design, painted black with a high-sheen finish (excluding C300 e) (code RVD)

Adaptive Highbeam Assist Plus

DIGITAL LIGHT

Panoramic glass sunroof

Summer tyres



18" AMG alloy wheels (code RSJ)



19" AMG alloy wheels (code RVD)



No-cost option shown: ARTICO man-made leather - neva grey/black (code 118A)



No-cost option shown: ARTICO man-made leather - neva grey/black (code 118A)

Interior

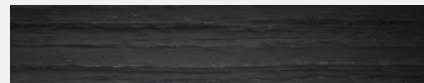
- _____ Boot lid convenience closing feature (Saloon only)
- _____ Heat- and noise-insulating acoustic glass
- _____ KEYLESS-GO Comfort package
- _____ KEYLESS-GO starting function

Communications, Safety and Assistance Systems

- _____ Advanced sound system
- _____ Parking package with 360° camera

Trim and Upholstery

Anthracite linestructure lime wood trim



ARTICO man-made leather - black



Design	Technology	Plug-in Hybrid	Model lines	Upholstery	Model prices	Mercedes-AMG	Mercedes-AMG upholstery	Mercedes-AMG prices	Personalisation	Standard equipment	Genuine accessories	Technical data	Additional information
--------	------------	----------------	-------------	------------	--------------	--------------	-------------------------	---------------------	-----------------	--------------------	---------------------	----------------	------------------------

C-Class AMG Line Premium Plus Standard equipment highlights



Option shown: obsidian black metallic (code 197)



Option shown: obsidian black metallic (code 197)



18" AMG alloy wheels (code RSJ)



19" AMG alloy wheels (code RVC)

In addition to/replacement of AMG Line Premium:

Exterior

18" AMG alloy wheels – 5-spoke design, aerodynamically optimised, painted tantalite grey with a high-sheen finish (C 300 e only) (code RSJ)

19" AMG alloy wheels – multi-spoke design, painted black with a high-sheen finish (excluding C 300 e) (code RVC)

Summer tyres

Saloon OTR from **£52,120¹**

Estate OTR from **£54,280¹**

Upgrade price from AMG Line Premium **£3,500**

¹The recommended on-the-road price includes the Road Fund Licence applicable to the standard model plus delivery charge (£730.00 incl. VAT), new vehicle registration fee (£55.00), fuel (£50.00 incl. VAT), and number plates (£25.00 incl. VAT). VAT is calculated at the standard rate of 20%. Some of the model features, optional extras and colours shown may not be available, or may only be available in a different specification, or at a different price

Design	Technology	Plug-in Hybrid	Model lines	Upholstery	Model prices	Mercedes-AMG	Mercedes-AMG upholstery	Mercedes-AMG prices	Personalisation	Standard equipment	Genuine accessories	Technical data	Additional information
--------	------------	----------------	-------------	------------	--------------	--------------	-------------------------	---------------------	-----------------	--------------------	---------------------	----------------	------------------------



Head-up display



Burmester® 3D surround sound system

Communications, Safety and Assistance Systems

Burmester® 3D surround sound system

Head-up display

Interior

AIR-BALANCE package – fragrance generator with function button in glove box and filled fragrance bottle, ioniser in the side air duct, improved filter system between the intake area and the air distribution system of the air conditioner

Comfort seats

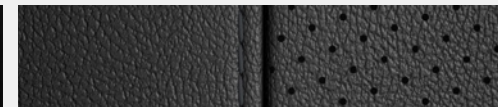
ENERGIZING package Plus – 7 ENERGIZING comfort programmes, ENERGIZING COACH, multicontour seats for driver and front passenger, climatised seats for driver and front passenger, seat heating and AIR BALANCE package

Trim and Upholstery

Anthracite line structure lime wood trim



ARTICO man-made leather – black



Design	Technology	Plug-in Hybrid	Model lines	Upholstery	Model prices	Mercedes-AMG	Mercedes-AMG upholstery	Mercedes-AMG prices	Personalisation	Standard equipment	Genuine accessories	Technical data	Additional information
--------	------------	----------------	-------------	------------	--------------	--------------	-------------------------	---------------------	-----------------	--------------------	---------------------	----------------	------------------------

Upholstery

● Standard – Not available



601A ARTICO man-made leather/MICROCUT microfibre – black

Sports seats

Urban Edition	●
AMG Line	–
AMG Line Premium	–
AMG Line Premium Plus	–



111A ARTICO man-made leather – black

Sports seats

Urban Edition	–
AMG Line	●
AMG Line Premium	●
AMG Line Premium Plus	–



101A ARTICO man-made leather – black

Comfort seats

Urban Edition	–
AMG Line	–
AMG Line Premium	–
AMG Line Premium Plus	●

Upholstery

Standard
 No-cost option
 Not available



118A ARTICO man-made leather – neva grey/black

Sports seats

Urban Edition	–
AMG Line	<input type="checkbox"/>
AMG Line Premium	<input type="checkbox"/>
AMG Line Premium Plus	–



194A ARTICO man-made leather – sienna brown/black

Sports seats

Urban Edition	–
AMG Line	<input type="checkbox"/>
AMG Line Premium	<input type="checkbox"/>
AMG Line Premium Plus	–

[Book a test drive](#)[Find your C-Class](#)[Find a Showroom](#)

Model prices Saloon

VED and BIK applicable for registrations up to 31 March 2025

Model line	Engine	Transmission	CO ₂ WLTP ^{1,*}	Basic RRP excl. VAT (£)	Total RRP incl. VAT (£)	Road Fund Licence (£) ² WLTP	Rec. OTR price (£) ³ WLTP	P11D value (£)	BIK tax rate 2024/25 (%) ²
Urban Edition									
C300 e	Petrol – 1,999 cc, 4-cylinder, 204 hp/150 kW Electric motor – 129 hp/95 kW	9G-TRONIC PLUS 9-speed auto.	12	40,833.33	49,000.00	0.00	49,860.00	49,805.00	5
AMG Line									
C200	Petrol – 1,496 cc, 4-cylinder, 204 hp/150 kW Mild hybrid drive – 20 hp/15 kW	9G-TRONIC PLUS 9-speed auto.	142	36,666.67	44,000.00	260.00	45,120.00	44,805.00	33
C220 d	Diesel – 1,993 cc, 4-cylinder, 197 hp/145 kW Mild hybrid drive – 20 hp/15 kW	9G-TRONIC PLUS 9-speed auto.	119	37,916.67	45,500.00	210.00	46,570.00	46,305.00	28
C300 e	Petrol – 1,999 cc, 4-cylinder, 204 hp/150 kW Electric motor – 129 hp/95 kW	9G-TRONIC PLUS 9-speed auto.	12	42,500.00	51,000.00	0.00	51,860.00	51,805.00	5
AMG Line Premium									
C200	Petrol – 1,496 cc, 4-cylinder, 204 hp/150 kW Mild hybrid drive – 20 hp/15 kW	9G-TRONIC PLUS 9-speed auto.	149	39,583.33	47,500.00	260.00	48,620.00	48,305.00	34
C220 d	Diesel – 1,993 cc, 4-cylinder, 197 hp/145 kW Mild hybrid drive – 20 hp/15 kW	9G-TRONIC PLUS 9-speed auto.	125	40,833.33	49,000.00	210.00	50,070.00	49,805.00	30
C300	Petrol – 1,999 cc, 4-cylinder, 258 hp/190 kW Mild hybrid drive – 20 hp/15 kW	9G-TRONIC PLUS 9-speed auto.	153	42,083.33	50,500.00	670.00	52,030.00	51,305.00	35
C300 d	Diesel – 1,993 cc, 4-cylinder, 265 hp/195 kW Mild hybrid drive – 20 hp/15 kW	9G-TRONIC PLUS 9-speed auto.	136	43,958.33	52,750.00	260.00	53,870.00	53,555.00	32
C300 e	Petrol – 1,999 cc, 4-cylinder, 204 hp/150 kW Electric motor – 129 hp/95 kW	9G-TRONIC PLUS 9-speed auto.	13	45,416.67	54,500.00	0.00	55,360.00	55,305.00	5

¹The indicated values were determined according to the prescribed measurement method - Worldwide Harmonised Light Vehicle Test Procedure (WLTP). Figures shown may include options which are not available in the UK. ²Figures shown are for comparability purposes; only compare with other cars tested to the same technical procedures. Figures may not reflect real life driving results, which will depend upon a number of factors including factory-fitted options, accessories fitted (post registration), variations in weather, driving styles and vehicle load. Further information about the test used to establish fuel consumption and CO₂ figures can be found at <http://www.mercedes-benz.co.uk/WLTP> ³A different first year rate of Vehicle Excise Duty (Road Fund Licence) applies for new cars. Please refer to page 85 for the relevant rate for the second and subsequent years ⁴The recommended on-the-road price includes the Road Fund Licence applicable to the standard model plus delivery charge (£730.00 incl. VAT), new vehicle registration fee (£55.00), fuel (£50.00 incl. VAT), and number plates (£25.00 incl. VAT). VAT is calculated at the standard rate of 20%. Some of the model features, optional extras and colours shown may not be available, or may only be available in a different specification, or at a different price

Design	Technology	Plug-in Hybrid	Model lines	Upholstery	Model prices	Mercedes-AMG	Mercedes-AMG upholstery	Mercedes-AMG prices	Personalisation	Standard equipment	Genuine accessories	Technical data	Additional information
--------	------------	----------------	-------------	------------	--------------	--------------	-------------------------	---------------------	-----------------	--------------------	---------------------	----------------	------------------------

[Book a test drive](#)[Find your C-Class](#)[Find a Showroom](#)

Model prices Saloon

VED and BIK applicable for registrations up to 31 March 2025

Model line	Engine	Transmission	CO ₂ WLTP ^{1,*}	Basic RRP excl. VAT (£)	Total RRP incl. VAT (£)	Road Fund Licence (£) ² WLTP	Rec. OTR price (£) ³ WLTP	P11D value (£)	BIK tax rate 2024/25 (%) ²
AMG Line Premium Plus									
C200	Petrol – 1,496 cc, 4-cylinder, 204 hp/150 kW Mild hybrid drive – 20 hp/15 kW	9G-TRONIC PLUS 9-speed auto.	150	42,500.00	51,000.00	260.00	52,120.00	51,755.00	35
C220 d	Diesel – 1,993 cc, 4-cylinder, 197 hp/145 kW Mild hybrid drive – 20 hp/15 kW	9G-TRONIC PLUS 9-speed auto.	126	43,750.00	52,500.00	210.00	53,570.00	53,305.00	30
C300	Petrol – 1,999 cc, 4-cylinder, 258 hp/190 kW Mild hybrid drive – 20 hp/15 kW	9G-TRONIC PLUS 9-speed auto.	154	45,000.00	54,000.00	670.00	55,530.00	54,805.00	35
C300 d	Diesel – 1,993 cc, 4-cylinder, 265 hp/195 kW Mild hybrid drive – 20 hp/15 kW	9G-TRONIC PLUS 9-speed auto.	136	46,875.00	56,250.00	260.00	57,370.00	57,055.00	32
C300 e	Petrol – 1,999 cc, 4-cylinder, 204 hp/150 kW Electric motor – 129 hp/95 kW	9G-TRONIC PLUS 9-speed auto.	13	48,333.33	58,000.00	0.00	58,860.00	58,805.00	5

¹The indicated values were determined according to the prescribed measurement method - Worldwide Harmonised Light Vehicle Test Procedure (WLTP). Figures shown may include options which are not available in the UK. ²Figures shown are for comparability purposes; only compare with other cars tested to the same technical procedures. Figures may not reflect real life driving results, which will depend upon a number of factors including factory-fitted options, accessories fitted (post registration), variations in weather, driving styles and vehicle load. Further information about the test used to establish fuel consumption and CO₂ figures can be found at <http://www.mercedes-benz.co.uk/WLTP> ³A different first year rate of Vehicle Excise Duty (Road Fund Licence) applies for new cars. Please refer to page 85 for the relevant rate for the second and subsequent years ⁴The recommended on-the-road price includes the Road Fund Licence applicable to the standard model plus delivery charge (£730.00 incl. VAT), new vehicle registration fee (£55.00), fuel (£50.00 incl. VAT), and number plates (£25.00 incl. VAT). VAT is calculated at the standard rate of 20%. Some of the model features, optional extras and colours shown may not be available, or may only be available in a different specification, or at a different price

[Book a test drive](#)[Find your C-Class](#)[Find a Showroom](#)

Model prices Estate

VED and BIK applicable for registrations up to 31 March 2025

Model line	Engine	Transmission	CO ₂ WLTP ^{1*}	Basic RRP excl. VAT (£)	Total RRP incl. VAT (£)	Road Fund Licence (£) ² WLTP	Rec. OTR price (£) ³ WLTP	P11D value (£)	BIK tax rate 2024/25 (%) ²
Urban Edition									
C300 e	Petrol – 1,999 cc, 4-cylinder, 204 hp/150 kW Electric motor – 129 hp/95 kW	9G-TRONIC PLUS 9-speed auto.	13	42,708.33	51,250.00	0.00	52,110.00	52,055.00	8
AMG Line									
C200	Petrol – 1,496 cc, 4-cylinder, 204 hp/150 kW Mild hybrid drive – 20 hp/15 kW	9G-TRONIC PLUS 9-speed auto.	147	38,125.00	45,750.00	260.00	46,870.00	46,555.00	34
C220 d	Diesel – 1,993 cc, 4-cylinder, 197 hp/145 kW Mild hybrid drive – 20 hp/15 kW	9G-TRONIC PLUS 9-speed auto.	123	39,375.00	47,250.00	210.00	48,320.00	48,055.00	29
AMG Line Premium									
C200	Petrol – 1,496 cc, 4-cylinder, 204 hp/150 kW Mild hybrid drive – 20 hp/15 kW	9G-TRONIC PLUS 9-speed auto.	154	41,041.67	49,250.00	670.00	50,780.00	50,055.00	35
C220 d	Diesel – 1,993 cc, 4-cylinder, 197 hp/145 kW Mild hybrid drive – 20 hp/15 kW	9G-TRONIC PLUS 9-speed auto.	128	42,291.67	50,750.00	210.00	51,820.00	51,555.00	30
C300	Petrol – 1,999 cc, 4-cylinder, 258 hp/190 kW Mild hybrid drive – 20 hp/15 kW	9G-TRONIC PLUS 9-speed auto.	157	43,541.67	52,250.00	670.00	53,780.00	53,055.00	36
C300 d	Diesel – 1,993 cc, 4-cylinder, 265 hp/195 kW Mild hybrid drive – 20 hp/15 kW	9G-TRONIC PLUS 9-speed auto.	139	45,416.67	54,500.00	260.00	55,620.00	55,305.00	32
C300 e	Petrol – 1,999 cc, 4-cylinder, 204 hp/150 kW Electric motor – 180 hp/96 kW	9G-TRONIC PLUS 9-speed auto.	13	46,875.00	56,250.00	0.00	57,110.00	57,055.00	8

¹The indicated values were determined according to the prescribed measurement method - Worldwide Harmonised Light Vehicle Test Procedure (WLTP). Figures shown may include options which are not available in the UK. ²Figures shown are for comparability purposes; only compare with other cars tested to the same technical procedures. Figures may not reflect real life driving results, which will depend upon a number of factors including factory-fitted options, accessories fitted (post registration), variations in weather, driving styles and vehicle load. Further information about the test used to establish fuel consumption and CO₂ figures can be found at <http://www.mercedes-benz.co.uk/WLTP> ³A different first year rate of Vehicle Excise Duty (Road Fund Licence) applies for new cars. Please refer to page 85 for the relevant rate for the second and subsequent years ⁴The recommended on-the-road price includes the Road Fund Licence applicable to the standard model plus delivery charge (£730.00 incl. VAT), new vehicle registration fee (£55.00), fuel (£50.00 incl. VAT), and number plates (£25.00 incl. VAT). VAT is calculated at the standard rate of 20%. Some of the model features, optional extras and colours shown may not be available, or may only be available in a different specification, or at a different price

Design	Technology	Plug-in Hybrid	Model lines	Upholstery	Model prices	Mercedes-AMG	Mercedes-AMG upholstery	Mercedes-AMG prices	Personalisation	Standard equipment	Genuine accessories	Technical data	Additional information
--------	------------	----------------	-------------	------------	--------------	--------------	-------------------------	---------------------	-----------------	--------------------	---------------------	----------------	------------------------

[Book a test drive](#)[Find your C-Class](#)[Find a Showroom](#)

Model prices Estate

VED and BIK applicable for registrations up to 31 March 2025

Model line	Engine	Transmission	CO ₂ WLTP ^{1,*}	Basic RRP excl. VAT (£)	Total RRP incl. VAT (£)	Road Fund Licence (£) ² WLTP	Rec. OTR price (£) ³ WLTP	P11D value (£)	BIK tax rate 2024/25 (%) ²
AMG Line Premium Plus									
C200	Petrol – 1,496 cc, 4-cylinder, 204 hp/150 kW Mild hybrid drive – 20 hp/15 kW	9G-TRONIC PLUS 9-speed auto.	154	43,958.33	52,750.00	670.00	54,280.00	53,555.00	35
C220 d	Diesel – 1,993 cc, 4-cylinder, 197 hp/145 kW Mild hybrid drive – 20 hp/15 kW	9G-TRONIC PLUS 9-speed auto.	129	45,208.33	54,250.00	210.00	55,320.00	55,055.00	30
C300	Petrol – 1,999 cc, 4-cylinder, 258 hp/190 kW Mild hybrid drive – 20 hp/15 kW	9G-TRONIC PLUS 9-speed auto.	158	46,458.33	55,750.00	670.00	57,280.00	56,555.00	36
C300 d	Diesel – 1,993 cc, 4-cylinder, 265 hp/195 kW Mild hybrid drive – 20 hp/15 kW	9G-TRONIC PLUS 9-speed auto.	140	48,333.33	58,000.00	260.00	59,120.00	58,805.00	33
C300 e	Petrol – 1,999 cc, 4-cylinder, 204 hp/150 kW Electric motor – 180 hp/96 kW	9G-TRONIC PLUS 9-speed auto.	13	49,791.67	59,750.00	0.00	60,610.00	60,555.00	8

¹The indicated values were determined according to the prescribed measurement method - Worldwide Harmonised Light Vehicle Test Procedure (WLTP). Figures shown may include options which are not available in the UK. ²Figures shown are for comparability purposes; only compare with other cars tested to the same technical procedures. Figures may not reflect real life driving results, which will depend upon a number of factors including factory-fitted options, accessories fitted (post registration), variations in weather, driving styles and vehicle load. Further information about the test used to establish fuel consumption and CO₂ figures can be found at <http://www.mercedes-benz.co.uk/WLTP> ³A different first year rate of Vehicle Excise Duty (Road Fund Licence) applies for new cars. Please refer to page 85 for the relevant rate for the second and subsequent years ⁴The recommended on-the-road price includes the Road Fund Licence applicable to the standard model plus delivery charge (£730.00 incl. VAT), new vehicle registration fee (£55.00), fuel (£50.00 incl. VAT), and number plates (£25.00 incl. VAT). VAT is calculated at the standard rate of 20%. Some of the model features, optional extras and colours shown may not be available, or may only be available in a different specification, or at a different price



Book a test drive



Find your C-Class



Find a Showroom

C-Class

Mercedes-AMG



AMG



Design	Technology	Plug-in Hybrid	Model lines	Upholstery	Model prices	Mercedes-AMG	Mercedes-AMG upholstery	Mercedes-AMG prices	Personalisation	Standard equipment	Genuine accessories	Technical data	Additional information
--------	------------	----------------	-------------	------------	--------------	--------------	-------------------------	---------------------	-----------------	--------------------	---------------------	----------------	------------------------



Book a test drive



Find your C-Class



Find a Showroom

Mercedes-AMG C-Class Model lines overview



Mercedes-AMG C 43 4MATIC Premium »



Mercedes-AMG C 43 4MATIC Night Edition Premium Plus »



Mercedes-AMG C 43 4MATIC Edition Midnight »



Mercedes-AMG C 63 S e 4MATIC+ Night Edition Premium Plus »



Mercedes-AMG C 63 S e 4MATIC+ Carbon Edition »

Design	Technology	Plug-in Hybrid	Model lines	Upholstery	Model prices	Mercedes-AMG	Mercedes-AMG upholstery	Mercedes-AMG prices	Personalisation	Standard equipment	Genuine accessories	Technical data	Additional information
--------	------------	----------------	-------------	------------	--------------	--------------	-------------------------	---------------------	-----------------	--------------------	---------------------	----------------	------------------------

Mercedes-AMG C 43 4MATIC Premium Standard equipment highlights



Option shown: obsidian black metallic (code 197)



Option shown: obsidian black metallic (code 197)

Engine, Transmission and Suspension

AGILITY CONTROL sports suspension with Adaptive Damping System

Driving modes – AMG DYNAMIC SELECT with a choice of five driving modes (Slippery, Comfort, Sport, Sport+ and Individual)

Saloon OTR from £67,500¹
Estate OTR from £69,250¹

Exterior

19" AMG alloy wheels – 5-twin-spoke design, titanium grey with a high-sheen finish (code RSW)

Adaptive Highbeam Assist Plus

AMG spoiler lip (Saloon only)

DIGITAL LIGHT

Flared wheel arches

Heat- and noise-insulating dark-tinted acoustic glass

Mercedes-AMG exterior for C 43 4MATIC

Panoramic glass sunroof

Rear axle steering

Summer tyres



¹The recommended on-the-road price includes the Road Fund Licence applicable to the standard model plus delivery charge (£730.00 incl. VAT), new vehicle registration fee (£55.00), fuel (£50.00 incl. VAT), and number plates (£25.00 incl. VAT). VAT is calculated at the standard rate of 20%. Some of the model features, optional extras and colours shown may not be available, or may only be available in a different specification, or at a different price

Design	Technology	Plug-in Hybrid	Model lines	Upholstery	Model prices	Mercedes-AMG	Mercedes-AMG upholstery	Mercedes-AMG prices	Personalisation	Standard equipment	Genuine accessories	Technical data	Additional information
--------	------------	----------------	-------------	------------	--------------	--------------	-------------------------	---------------------	-----------------	--------------------	---------------------	----------------	------------------------



Interior

Ambient lighting and Ambient lighting Premium

AMG Real Performance Sound

Illuminated door sills with 'AMG' lettering and changeable cover

KEYLESS-GO starting function

Memory package – driver's seat, front passenger seat, steering column and exterior mirrors – electrically adjustable with memory

Mercedes-AMG interior for C 43 4MATIC

Seat belts – black

Steering wheel – AMG Performance steering wheel in nappa leather

Steering wheel – AMG steering wheel buttons

THERMATIC two-zone automatic climate control

Communications, Safety and Assistance Systems

Blind Spot Assist

MBUX augmented reality for navigation

Parking package with 360° camera

SPEEDTRONIC cruise control with variable speed limiter

Wireless charging¹

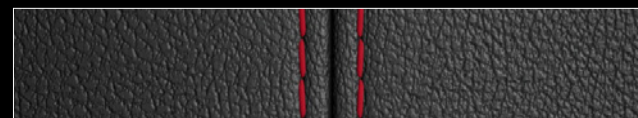
¹Compatible mobile phone required

Trim and Upholstery

Black open-pore aluminium lines wood trim



AMG leather – black



Mercedes-AMG C 43 4MATIC Night Edition Premium Plus Standard equipment highlights



Option shown: spectral blue metallic (code 970)



Option shown: spectral blue metallic (code 970)

In addition to/replacement of Mercedes-AMG C 43 4MATIC Premium:

Exterior

20" AMG alloy wheels - 5-twin-spoke design, aerodynamically optimised, painted tantalite grey with a high-shine finish (code RZX)

AMG Exterior Night package

Roof rails in black (Estate only)

Summer tyres



Saloon OTR from **£71,500¹**

Estate OTR from **£73,250¹**

Upgrade price from Mercedes-AMG C 43 4MATIC Premium **£4,000**

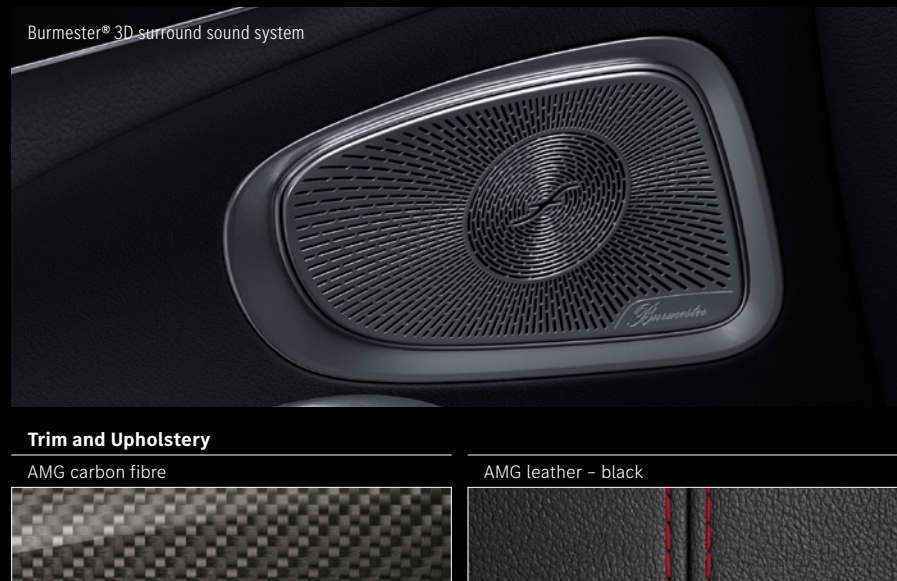
¹The recommended on-the-road price includes the Road Fund Licence applicable to the standard model plus delivery charge (£730.00 incl. VAT), new vehicle registration fee (£55.00), fuel (£50.00 incl. VAT), and number plates (£25.00 incl. VAT). VAT is calculated at the standard rate of 20%. Some of the model features, optional extras and colours shown may not be available, or may only be available in a different specification, or at a different price

Design	Technology	Plug-in Hybrid	Model lines	Upholstery	Model prices	Mercedes-AMG	Mercedes-AMG upholstery	Mercedes-AMG prices	Personalisation	Standard equipment	Genuine accessories	Technical data	Additional information
--------	------------	----------------	-------------	------------	--------------	--------------	-------------------------	---------------------	-----------------	--------------------	---------------------	----------------	------------------------



Head-up display

Burmester® 3D surround sound system

**Interior**

Climatised front seats

Communications, Safety and Assistance Systems

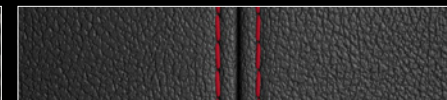
Burmester® 3D surround sound system with sound personalisation

Head-up display

Trim and Upholstery

AMG carbon fibre

AMG leather – black



Mercedes-AMG C 43 4MATIC Edition Midnight

Standard equipment highlights



Option shown: graphite grey metallic (code 831)



Option shown: graphite grey metallic (code 831)

Saloon OTR from **£76,500¹**

Estate OTR from **£78,250¹**

Upgrade price from Mercedes-AMG C 43 4MATIC
Night Edition Premium Plus **£5,000**

In addition to/replacement of Mercedes-AMG C 43 4MATIC Night Edition Premium Plus:

Exterior

20" AMG alloy wheels – 10-twin-spoke design, painted matt black with a high-sheen finish (code RZY)

AMG DYNAMIC PLUS package with brake callipers painted red

AMG Exterior Carbon Fibre package II – outside mirror housing in carbon-fibre design and spoiler lip (Saloon only) in carbon fibre

AMG Exterior Night package II

AMG Styling package

DIGITAL LIGHT with projection functions

Metallic or magno paint, available at no cost in: obsidian black metallic, graphite grey metallic and graphite grey magno

Summer tyres



¹The recommended on-the-road price includes the Road Fund Licence applicable to the standard model plus delivery charge (£730.00 incl. VAT), new vehicle registration fee (£55.00), fuel (£50.00 incl. VAT), and number plates (£25.00 incl. VAT). VAT is calculated at the standard rate of 20%. Some of the model features, optional extras and colours shown may not be available, or may only be available in a different specification, or at a different price

Design	Technology	Plug-in Hybrid	Model lines	Upholstery	Model prices	Mercedes-AMG	Mercedes-AMG upholstery	Mercedes-AMG prices	Personalisation	Standard equipment	Genuine accessories	Technical data	Additional information
--------	------------	----------------	-------------	------------	--------------	--------------	-------------------------	---------------------	-----------------	--------------------	---------------------	----------------	------------------------



Interior

AMG Performance High-End Seat package – AMG Performance seats, multi-contour seats for driver and front passenger, seat heating for driver and front passenger, 'AMG' lettering in seat backrests, 'AMG' emblem in the head restraint, chrome trim, perforated seats

AMG Performance steering wheel in carbon fibre design/
MICROCUT microfibre

THERMOTRONIC four-zone automatic climate control

Communications, Safety and Assistance Systems

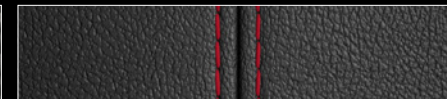
MBUX Interior Assist

Trim and Upholstery

AMG carbon fibre



AMG leather – black



Design	Technology	Plug-in Hybrid	Model lines	Upholstery	Model prices	Mercedes-AMG	Mercedes-AMG upholstery	Mercedes-AMG prices	Personalisation	Standard equipment	Genuine accessories	Technical data	Additional information
--------	------------	----------------	-------------	------------	--------------	--------------	-------------------------	---------------------	-----------------	--------------------	---------------------	----------------	------------------------

Mercedes-AMG C 63 S e 4MATIC+ Night Edition Premium Plus Std. equipment highlights



Option shown: high-tech silver metallic (code 922)



Option shown: high-tech silver metallic (code 922)

Engine, Transmission and Suspension

AMG Driver's package

AMG DYNAMIC SELECT – drive modes with a choice of eight driving modes (Electric, Comfort, Battery Hold, Sport, Sport+, Race, Slippery and Individual)

Saloon OTR from £97,530¹
Estate OTR from £99,280¹

Exterior

20" AMG forged alloy wheels – cross-spoke design, painted high-gloss black with a high-shine finish (code RZT)

Acoustic ambient protection

AMG Aerodynamics package

AMG exhaust system with two black chrome-plated twin tailpipe trim elements

AMG Exterior Night package I

AMG high-performance composite brake system with red-painted brake callipers and black 'AMG' lettering at the front

AMG Performance spoiler lip in high-gloss black (Saloon only)

AMG-specific radiator grille with vertical struts in high-gloss chrome and AMG logo

DIGITAL LIGHT

Mercedes-AMG exterior for C63 S e 4MATIC+

Summer tyres



¹The recommended on-the-road price includes the Road Fund Licence applicable to the standard model plus delivery charge (£730.00 incl. VAT), new vehicle registration fee (£55.00), fuel (£50.00 incl. VAT), and number plates (£25.00 incl. VAT). VAT is calculated at the standard rate of 20%. Some of the model features, optional extras and colours shown may not be available, or may only be available in a different specification, or at a different price

Design	Technology	Plug-in Hybrid	Model lines	Upholstery	Model prices	Mercedes-AMG	Mercedes-AMG upholstery	Mercedes-AMG prices	Personalisation	Standard equipment	Genuine accessories	Technical data	Additional information
--------	------------	----------------	-------------	------------	--------------	--------------	-------------------------	---------------------	-----------------	--------------------	---------------------	----------------	------------------------



AMG Performance High-End Seat package



Interior

AMG Performance High-End Seat package – AMG Performance seats, multi-contour seats for driver and front passenger, seat heating for driver and front passenger, 'AMG' lettering in seat backrests, 'AMG' emblem in the head restraint, chrome trim, perforated seats

AMG Performance steering wheel in nappa leather/MICROCUT microfibre

KEYLESS-GO Comfort package

Mercedes-AMG interior for C63 S e 4MATIC+

Communications, Safety and Assistance Systems

AMG TRACK PACE

Remote and Charging Services Plus¹

Trim and Upholstery

High-gloss black with AMG carbon fibre trim



AMG nappa leather – black



¹The connection of the communication module to the mobile phone network including the emergency call system depends on the respective network coverage and availability of network providers

Design	Technology	Plug-in Hybrid	Model lines	Upholstery	Model prices	Mercedes-AMG	Mercedes-AMG upholstery	Mercedes-AMG prices	Personalisation	Standard equipment	Genuine accessories	Technical data	Additional information
--------	------------	----------------	-------------	------------	--------------	--------------	-------------------------	---------------------	-----------------	--------------------	---------------------	----------------	------------------------

Mercedes-AMG C 63 S e 4MATIC+ Carbon Edition Standard equipment highlights



Option shown: MANUFAKTUR graphite grey magno (code 818)

Saloon OTR from **£103,530¹**
Estate OTR from **£105,280¹**



Option shown: MANUFAKTUR graphite grey magno (code 818)

In addition to/replacement of Mercedes-AMG C 63 S e 4MATIC+ Night Edition Premium Plus:

Exterior

20" AMG forged alloy wheels – cross-spoke design, painted high-gloss black with a high-shine finish (code RZT)

AMG high-performance braking system with ceramic composite brakes

AMG Night package II – including darkened radiator grille and exterior badging

AMG Exterior Carbon Fibre package I & II – AMG carbon fibre trim strip in the front apron, inserts in the AMG side member trim made of carbon fibre, decorative carbon fibre diffuser in the rear apron, outside mirror housing in carbon-fibre design and spoiler lip in carbon fibre (Saloon only) or high-gloss black (Estate only)

Summer tyres



¹The recommended on-the-road price includes the Road Fund Licence applicable to the standard model plus delivery charge (£730.00 incl. VAT), new vehicle registration fee (£55.00), fuel (£50.00 incl. VAT), and number plates (£25.00 incl. VAT). VAT is calculated at the standard rate of 20%. Some of the model features, optional extras and colours shown may not be available, or may only be available in a different specification, or at a different price

Design	Technology	Plug-in Hybrid	Model lines	Upholstery	Model prices	Mercedes-AMG	Mercedes-AMG upholstery	Mercedes-AMG prices	Personalisation	Standard equipment	Genuine accessories	Technical data	Additional information
--------	------------	----------------	-------------	------------	--------------	--------------	-------------------------	---------------------	-----------------	--------------------	---------------------	----------------	------------------------



Interior

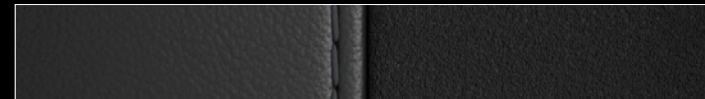
AMG Performance Seat package Advanced

AMG Performance steering wheel in carbon fibre design/MICROCUT microfibre

Trim and Upholstery

High-gloss black with AMG carbon fibre trim

AMG ARTICO man-made leather/MICROCUT microfibre – black



Become the AMG expert

Unleash a new level of performance.



Step into the world of performance and experience the AMG brand at Mercedes-Benz World – from the powerful sound of the engines to the smell of the leather to the unmistakable design of our vehicles.

Mercedes-Benz World invites all Mercedes-AMG customers to a complimentary adrenaline-packed driving experience. Feel the sensational AMG driving performance, develop your driving skills and even try your hand at power-sliding on the Wet Skid Circle. With expert one-to-one guidance from a Driving Specialist in the passenger seat, experience every inch of our Handling Circuits, Dynamic Straight and low friction surfaces.

[Click here for more information](#)



TERMS AND CONDITIONS

The following customers only are eligible: The first purchaser/registered keeper of a newly registered Mercedes-AMG. The complimentary training must be booked and taken within 12 months of email receipt. The training is available Monday - Friday only (excluding bank holidays) and subject to availability. Upgrades are available for an additional cost, details upon request. Transferable to individuals who reside at the same postal address only. Mercedes-Benz UK Limited reserves the right to amend or withdraw this training experience. Attendees must hold a full UK driving licence. Attendees will be required to sign the Mercedes-Benz World Driving Risk Acknowledgement prior to undertaking the training experience.

The training experience is also subject to the Mercedes-Benz World Terms and Conditions, as applicable. Retailer demonstrator vehicles are not eligible.

Design	Technology	Plug-in Hybrid	Model lines	Upholstery	Model prices	Mercedes-AMG	Mercedes-AMG upholstery	Mercedes-AMG prices	Personalisation	Standard equipment	Genuine accessories	Technical data	Additional information
------------------------	----------------------------	--------------------------------	-----------------------------	----------------------------	------------------------------	------------------------------	---	-------------------------------------	---------------------------------	------------------------------------	-------------------------------------	--------------------------------	--

Mercedes-AMG upholstery Mercedes-AMG C 43 4MATIC

● Standard □ No-cost option – Not available



251A AMG leather¹ – black with red contrast stitching

Sports seats

Mercedes-AMG C 43 4MATIC Premium	●
Mercedes-AMG C 43 4MATIC Night Edition Premium Plus	●
Mercedes-AMG C 43 4MATIC Edition Midnight	–



251A AMG leather¹ – black with red contrast stitching

AMG Performance Seat package High-End

Mercedes-AMG C 43 4MATIC Premium	–
Mercedes-AMG C 43 4MATIC Night Edition Premium Plus	–
Mercedes-AMG C 43 4MATIC Edition Midnight	●



297A leather¹ – power red/black

Sports seats

Mercedes-AMG C 43 4MATIC Premium	□
Mercedes-AMG C 43 4MATIC Night Edition Premium Plus	□
Mercedes-AMG C 43 4MATIC Edition Midnight	–

¹At least 80% of the seat upholstery is pure leather, while up to 20% may consist of man-made leather

Design	Technology	Plug-in Hybrid	Model lines	Upholstery	Model prices	Mercedes-AMG	Mercedes-AMG upholstery	Mercedes-AMG prices	Personalisation	Standard equipment	Genuine accessories	Technical data	Additional information
--------	------------	----------------	-------------	------------	--------------	--------------	-------------------------	---------------------	-----------------	--------------------	---------------------	----------------	------------------------



Book a test drive



Find your C-Class



Find a Showroom

Mercedes-AMG upholstery Mercedes-AMG C 63 S e 4MATIC+

● Standard □ No-cost option – Not available



851A AMG nappa leather¹ – black

AMG Performance Seat package High-End

Mercedes-AMG C 63 S e 4MATIC+ Night Edition Premium Plus

●

Mercedes-AMG C 63 S e 4MATIC+ Carbon Edition

–



861A AMG nappa leather¹ – black with yellow stitching

AMG Performance Seat package High-End

Mercedes-AMG C 63 S e 4MATIC+ Night Edition Premium Plus

□

Mercedes-AMG C 63 S e 4MATIC+ Carbon Edition

–

¹100% of seat upholstery is pure leather

Design	Technology	Plug-in Hybrid	Model lines	Upholstery	Model prices	Mercedes-AMG	Mercedes-AMG upholstery	Mercedes-AMG prices	Personalisation	Standard equipment	Genuine accessories	Technical data	Additional information
--------	------------	----------------	-------------	------------	--------------	--------------	-------------------------	---------------------	-----------------	--------------------	---------------------	----------------	------------------------

Mercedes-AMG upholstery Mercedes-AMG C 63 S e 4MATIC+

● Standard □ No-cost option – Not available



878A AMG nappa leather¹ – titanium grey pearl/black

AMG Performance Seat package High-End

Mercedes-AMG C 63 S e 4MATIC+ Night Edition Premium Plus

□

Mercedes-AMG C 63 S e 4MATIC+ Carbon Edition

–



661A AMG ARTICO man-made leather/MICROCUT microfibre – black

AMG Performance Seat package Advanced

Mercedes-AMG C 63 S e 4MATIC+ Night Edition Premium Plus

–

Mercedes-AMG C 63 S e 4MATIC+ Carbon Edition

●

¹100% of seat upholstery is pure leather

Design	Technology	Plug-in Hybrid	Model lines	Upholstery	Model prices	Mercedes-AMG	Mercedes-AMG upholstery	Mercedes-AMG prices	Personalisation	Standard equipment	Genuine accessories	Technical data	Additional information
--------	------------	----------------	-------------	------------	--------------	--------------	-------------------------	---------------------	-----------------	--------------------	---------------------	----------------	------------------------

[Book a test drive](#)[Find your C-Class](#)[Find a Showroom](#)

Mercedes-AMG prices Saloon and Estate

**VED and BIK applicable for registrations up to 31 March 2025**

Model line	Engine	Transmission	CO ₂ WLTP ¹ *	Basic RRP excl. VAT (£)	Total RRP incl. VAT (£)	Road Fund Licence (£) ² WLTP	Rec. OTR price (£) ³ WLTP	P11D value (£)	BIK tax rate 2024/25 (%) ²
Saloon									
Mercedes-AMG C 43 4MATIC Premium	Petrol - 1,991cc, 4-cylinder, 421hp/310 kW Mild hybrid drive - 14 hp/10 kW	9G-TRONIC PLUS 9-speed auto.	210	54,166.67	65,000.00	1,640.00	67,500.00	65,805.00	37
Mercedes-AMG C 43 4MATIC Night Edition Premium Plus	Petrol - 1,991cc, 4-cylinder, 421hp/310 kW Mild hybrid drive - 14 hp/10 kW	9G-TRONIC PLUS 9-speed auto.	209	57,500.00	69,000.00	1,640.00	71,500.00	69,805.00	37
Mercedes-AMG C 43 4MATIC Edition Midnight	Petrol - 1,991cc, 4-cylinder, 421hp/310 kW Mild hybrid drive - 14 hp/10 kW	9G-TRONIC PLUS 9-speed auto.	210	61,666.67	74,000.00	1,640.00	76,500.00	74,805.00	37
Mercedes-AMG C 63 S e 4MATIC+ Night Edition Premium Plus	Petrol - 1,991cc, 4-cylinder, 476 hp/350 kW Electric motor - 204 hp/150 kW	9G-TRONIC PLUS 9-speed auto.	167	80,000.00	96,000.00	670.00	97,530.00	96,805.00	37
Mercedes-AMG C 63 S e 4MATIC+ Carbon Edition	Petrol - 1,991cc, 4-cylinder, 476 hp/350 kW Electric motor - 204 hp/150 kW	9G-TRONIC PLUS 9-speed auto.	167	85,000.00	102,000.00	670.00	103,530.00	102,805.00	37
Estate									
Mercedes-AMG C 43 4MATIC Premium	Petrol - 1,991cc, 4-cylinder, 421hp/310 kW Mild hybrid drive - 14 hp/10 kW	9G-TRONIC PLUS 9-speed auto.	213	55,625.00	66,750.00	1,640.00	69,250.00	67,555.00	37
Mercedes-AMG C 43 4MATIC Night Edition Premium Plus	Petrol - 1,991cc, 4-cylinder, 421hp/310 kW Mild hybrid drive - 14 hp/10 kW	9G-TRONIC PLUS 9-speed auto.	213	58,958.33	70,750.00	1,640.00	73,250.00	71,555.00	37
Mercedes-AMG C 43 4MATIC Edition Midnight	Petrol - 1,991cc, 4-cylinder, 421hp/310 kW Mild hybrid drive - 14 hp/10 kW	9G-TRONIC PLUS 9-speed auto.	214	63,125.00	75,750.00	1,640.00	78,250.00	76,555.00	37
Mercedes-AMG C 63 S e 4MATIC+ Night Edition Premium Plus	Petrol - 1,991cc, 4-cylinder, 476 hp/350 kW Electric motor - 204 hp/150 kW	9G-TRONIC PLUS 9-speed auto.	167	81,458.33	97,750.00	670.00	99,280.00	98,555.00	37
Mercedes-AMG C 63 S e 4MATIC+ Carbon Edition	Petrol - 1,991cc, 4-cylinder, 476 hp/350 kW Electric motor - 204 hp/150 kW	9G-TRONIC PLUS 9-speed auto.	167	86,458.33	103,750.00	670.00	105,280.00	104,555.00	37

¹The indicated values were determined according to the prescribed measurement method - Worldwide Harmonised Light Vehicle Test Procedure (WLTP). Figures shown may include options which are not available in the UK. ²Figures shown are for comparability purposes; only compare with other cars tested to the same technical procedures. Figures may not reflect real life driving results, which will depend upon a number of factors including factory-fitted options, accessories fitted (post registration), variations in weather, driving styles and vehicle load. Further information about the test used to establish fuel consumption and CO₂ figures can be found at <http://www.mercedes-benz.co.uk/WLTP>. ³A different first year rate of Vehicle Excise Duty (Road Fund Licence) applies for new cars. Please refer to page 85 for the relevant rate for the second and subsequent years. ⁴The recommended on-the-road price includes the Road Fund Licence applicable to the standard model plus delivery charge (£730.00 incl. VAT), new vehicle registration fee (£55.00), fuel (£50.00 incl. VAT), and number plates (£25.00 incl. VAT). VAT is calculated at the standard rate of 20%. Some of the model features, optional extras and colours shown may not be available, or may only be available in a different specification, or at a different price.

Design	Technology	Plug-in Hybrid	Model lines	Upholstery	Model prices	Mercedes-AMG	Mercedes-AMG upholstery	Mercedes-AMG prices	Personalisation	Standard equipment	Genuine accessories	Technical data	Additional information
--------	------------	----------------	-------------	------------	--------------	--------------	-------------------------	---------------------	-----------------	--------------------	---------------------	----------------	------------------------

Colour options

Urban Edition and all AMG Line variants – non-metallic, metallic and MANUFAKTUR paints

Total prices incl. VAT

● Standard



149 polar white non-metallic



197 obsidian black metallic

£715.00



922 high-tech silver metallic

£715.00



885 MANUFAKTUR opalite white bright

£925.00



831 graphite grey metallic

£715.00



970 spectral blue metallic

£715.00



993 MANUFAKTUR patagonia red

£925.00



842 sodalite blue metallic

£715.00



992 selenite grey metallic

£715.00



956 MANUFAKTUR alpine grey solid

£925.00

Please note that, owing to limitations of on-screen representation, paint colours may differ from those shown

Design	Technology	Plug-in Hybrid	Model lines	Upholstery	Model prices	Mercedes-AMG	Mercedes-AMG upholstery	Mercedes-AMG prices	Personalisation	Standard equipment	Genuine accessories	Technical data	Additional information
--------	------------	----------------	-------------	------------	--------------	--------------	-------------------------	---------------------	-----------------	--------------------	---------------------	----------------	------------------------

Colour options Mercedes-AMG – non-metallic and metallic paints

● Standard □ No-cost option ○ Optional – Not available



149 polar white non-metallic

Mercedes-AMG C43 4MATIC Premium/Night Edition Premium Plus	●
Mercedes-AMG C43 4MATIC Edition Midnight	–
Mercedes-AMG C63 S e 4MATIC+ Night Edition Premium Plus	–
Mercedes-AMG C63 S e 4MATIC+ Carbon Edition	–
Total RRP incl. VAT	–



197 obsidian black metallic

Mercedes-AMG C43 4MATIC Premium/Night Edition Premium Plus	○
Mercedes-AMG C43 4MATIC Edition Midnight	□
Mercedes-AMG C63 S e 4MATIC+ Night Edition Premium Plus	○
Mercedes-AMG C63 S e 4MATIC+ Carbon Edition	○
Total RRP incl. VAT	£715.00



842 sodalite blue metallic

Mercedes-AMG C43 4MATIC Premium/Night Edition Premium Plus	○
Mercedes-AMG C43 4MATIC Edition Midnight	–
Mercedes-AMG C63 S e 4MATIC+ Night Edition Premium Plus	–
Mercedes-AMG C63 S e 4MATIC+ Carbon Edition	–
Total RRP incl. VAT	£715.00



040 black non-metallic

Mercedes-AMG C43 4MATIC Premium/Night Edition Premium Plus	–
Mercedes-AMG C43 4MATIC Edition Midnight	–
Mercedes-AMG C63 S e 4MATIC+ Night Edition Premium Plus	●
Mercedes-AMG C63 S e 4MATIC+ Carbon Edition	●
Total RRP incl. VAT	–



831 graphite grey metallic

Mercedes-AMG C43 4MATIC Premium/Night Edition Premium Plus	○
Mercedes-AMG C43 4MATIC Edition Midnight	□
Mercedes-AMG C63 S e 4MATIC+ Night Edition Premium Plus	○
Mercedes-AMG C63 S e 4MATIC+ Carbon Edition	○
Total RRP incl. VAT	£715.00



922 high-tech silver metallic

Mercedes-AMG C43 4MATIC Premium/Night Edition Premium Plus	○
Mercedes-AMG C43 4MATIC Edition Midnight	–
Mercedes-AMG C63 S e 4MATIC+ Night Edition Premium Plus	○
Mercedes-AMG C63 S e 4MATIC+ Carbon Edition	○
Total RRP incl. VAT	£715.00

Please note that, owing to limitations of on-screen representation, paint colours may differ from those shown

Colour options Mercedes-AMG – metallic and MANUFAKTUR paints

● Standard ○ Optional – Not available



970 spectral blue metallic

Mercedes-AMG C43 4MATIC Premium/Night Edition Premium Plus	○
Mercedes-AMG C43 4MATIC Edition Midnight	–
Mercedes-AMG C63 S e 4MATIC+ Night Edition Premium Plus	○
Mercedes-AMG C63 S e 4MATIC+ Carbon Edition	–

Total RRP incl. VAT **£715.00**



885 MANUFAKTUR opalite white bright

Mercedes-AMG C43 4MATIC Premium/Night Edition Premium Plus	○
Mercedes-AMG C43 4MATIC Edition Midnight	–
Mercedes-AMG C63 S e 4MATIC+ Night Edition Premium Plus	○
Mercedes-AMG C63 S e 4MATIC+ Carbon Edition	○

Total RRP incl. VAT **£925.00**



956 MANUFAKTUR alpine grey solid

Mercedes-AMG C43 4MATIC Premium/Night Edition Premium Plus	○
Mercedes-AMG C43 4MATIC Edition Midnight	–
Mercedes-AMG C63 S e 4MATIC+ Night Edition Premium Plus	○
Mercedes-AMG C63 S e 4MATIC+ Carbon Edition	○

Total RRP incl. VAT **£925.00**



992 selenite grey metallic

Mercedes-AMG C43 4MATIC Premium/Night Edition Premium Plus	○
Mercedes-AMG C43 4MATIC Edition Midnight	–
Mercedes-AMG C63 S e 4MATIC+ Night Edition Premium Plus	–
Mercedes-AMG C63 S e 4MATIC+ Carbon Edition	–

Total RRP incl. VAT **£715.00**



993 MANUFAKTUR patagonia red

Mercedes-AMG C43 4MATIC Premium/Night Edition Premium Plus	○
Mercedes-AMG C43 4MATIC Edition Midnight	–
Mercedes-AMG C63 S e 4MATIC+ Night Edition Premium Plus	–
Mercedes-AMG C63 S e 4MATIC+ Carbon Edition	–

Total RRP incl. VAT **£925.00**

Please note that, owing to limitations of on-screen representation, paint colours may differ from those shown

Colour options Mercedes-AMG – MANUFAKTUR magno paints

● Standard ○ Optional – Not available



593 MANUFAKTUR spectral blue magno¹

Mercedes-AMG C43 4MATIC Premium/Night Edition Premium Plus	–
Mercedes-AMG C43 4MATIC Edition Midnight	–
Mercedes-AMG C63 S e 4MATIC+ Night Edition Premium Plus	○
Mercedes-AMG C63 S e 4MATIC+ Carbon Edition	–
Total RRP incl. VAT	£1,825.00



818 MANUFAKTUR graphite grey magno¹

Mercedes-AMG C43 4MATIC Premium/Night Edition Premium Plus	–
Mercedes-AMG C43 4MATIC Edition Midnight	●
Mercedes-AMG C63 S e 4MATIC+ Night Edition Premium Plus	○
Mercedes-AMG C63 S e 4MATIC+ Carbon Edition	○
Total RRP incl. VAT	£1,825.00

¹MANUFAKTUR magno matt paint finishes require extra care. Please refer to the Owner's Manual for instructions Please note that, owing to limitations of on-screen representation, paint colours may differ from those shown

[Book a test drive](#)[Find your C-Class](#)[Find a Showroom](#)

Driving Assistance package Plus¹

○ Optional – Not available

The Driving Assistance package Plus¹ contains a range of highly intelligent features to help you stay safe on the road – by making the drive more effortless, by warning of danger, and by taking steps to protect you in an emergency.

Driving Assistance package Plus¹ (code P20) – designed and priced as a package, including items listed.



Active Distance Assist DISTRONIC



Active Lane-Keeping Assist

Model line	Driving Assistance package Plus ¹ (code P20)
Urban Edition	–
AMG Line	–
AMG Line Premium	–
AMG Line Premium Plus	○
Mercedes-AMG C43 4MATIC Premium	–
Mercedes-AMG C43 4MATIC Night Edition Premium Plus	○
Mercedes-AMG C43 4MATIC Edition Midnight	○
Mercedes-AMG C63 S e 4MATIC+ Night Edition Premium Plus	○
Mercedes-AMG C63 S e 4MATIC+ Carbon Edition	○
Total incl. VAT	£1,695.00

Active Blind Spot Assist

Active Brake Assist with vehicle, bike and pedestrian detection

Active Distance Assist DISTRONIC

Active Emergency Stop Assist active when lane markings are detected, independently of DISTRONIC

Active Lane Change Assist

Active Lane Keeping Assist

Active Speed Limit Assist

Active Stop-and-Go Assist

Active Steering Assist with hands-off warning

Congestion emergency braking function

Cornering and Cross-Traffic Function

Emergency corridor function

Exit warning function when hand moves towards the door handles

Evasive Steering Assist with bike, pedestrian and end of traffic jam detection

Extended automatic restart function on motorways

PRE-SAFE® Impulse Side

Route-based speed adaptation with end of traffic jam function

Traffic Sign Assist

Turning manoeuvre function

Warning of red lights, stop signs, pedestrian crossings and no-entry restrictions

¹Our driver assistance and safety systems are aids and do not relieve you of your responsibility as the driver. Please take note of the information in the Owner's Manual and the system limits which are described therein



Trailer coupling with ESP® trailer stabilisation

Expand your transport options: with this practical equipment you can hitch up both trailers or caravans and also mount cycle racks. The trailer coupling is ready for use in no time at all – and can be folded in again behind the rear bumper just as quickly when it is no longer needed.

Trailer coupling with ESP® trailer stabilisation (code 550)

**AMG Line Premium Plus and all Mercedes-AMG variants.
Estate only.**

Total incl. VAT £750.00

Operating safety is the top priority: to fold out the trailer coupling, you must first unlock it via the control button in the boot. As soon as the button light goes out, the trailer coupling is correctly engaged and is therefore ready for use.

Even when driving you can benefit from a comprehensive safety concept: the ESP® trailer stabilisation is able to intervene automatically in critical situations when driving with a trailer. The associated sensor system detects the trailer independently as soon as the electric plug is connected to your vehicle.

The ESP® stabilisation functions are automatically active from a speed of 40 mph. When undesired oscillating motions are detected, the Trailer Stability Assist actively dampens these with the aid of alternate brake actuation of each individual wheel. In most cases this is already sufficient to reduce dangerous oscillations. If necessary, the system additionally reduces the speed: for this, the engine torque is reduced and the vehicle is braked via all four wheels.



Design	Technology	Plug-in Hybrid	Model lines	Upholstery	Model prices	Mercedes-AMG	Mercedes-AMG upholstery	Mercedes-AMG prices	Personalisation	Standard equipment	Genuine accessories	Technical data	Additional information
--------	------------	----------------	-------------	------------	--------------	--------------	-------------------------	---------------------	-----------------	--------------------	---------------------	----------------	------------------------



Book a test drive



Find your C-Class



Find a Showroom

Touring package

Touring package provides added comfort for long distance driving. Replacing the AMG Performance seats with sports seats.

Touring package (code DSC) – designed and priced as a package, including items listed below.

Mercedes-AMG C 63 S e models only

No-cost option

Consisting of:

Sports seats (code 7U3)



Mercedes-AMG C 63 S e 4MATIC+ Carbon Edition shown



Mercedes-AMG C 63 S e 4MATIC+ Night Edition Premium Plus shown

Design	Technology	Plug-in Hybrid	Model lines	Upholstery	Model prices	Mercedes-AMG	Mercedes-AMG upholstery	Mercedes-AMG prices	Personalisation	Standard equipment	Genuine accessories	Technical data	Additional information
--------	------------	----------------	-------------	------------	--------------	--------------	-------------------------	---------------------	-----------------	--------------------	---------------------	----------------	------------------------



AMG ceramic high-performance compound brake system

Introducing the pinnacle of braking excellence: the AMG ceramic high-performance compound brake system. Crafted for uncompromising performance, this cutting-edge system boasts brake calipers adorned in a striking bronze hue, accentuated with distinctive 'AMG Carbon Ceramic' lettering on the front axle. But the innovation doesn't stop there – the front axle brake discs are forged from Carbon Ceramic Composite, ensuring unparalleled stopping power and durability. Welcome to a new era of braking technology.

AMG ceramic high-performance compound brake system (code B07) – designed and priced as a package, including items listed below.

Mercedes-AMG C 63 S e Night Edition
Premium Plus only **Total incl. VAT £3,500.00**

Standard on Mercedes-AMG C 63 S e 4MATIC+ Carbon Edition

Consisting of:

Brake callipers painted bronze colour with 'AMG Carbon Ceramic' lettering on the front axle

Brake discs on front axle in Carbon Ceramic Composite Technology





Standard equipment

● Standard – Not available

Battery and Charging

	Urban Edition	AMG Line	AMG Line Premium	AMG Line Premium Plus
Charging cable – Mode 2 cable (5 metres, straight) for domestic socket (C 300 e only)	●	●	●	●
Charging cable – Mode 3 cable (5 metres, straight) for wallbox and public charging stations (C 300 e only)	●	●	●	●
Charging socket (C 300 e only)	●	●	●	●
Charging system – AC charging system rated at 11kW (C 300 e only)	●	●	●	●
Charging system – DC charging system rated at 55 kW (C 300 e only)	●	●	●	●

Engine, Transmission and Suspension

	Urban Edition	AMG Line	AMG Line Premium	AMG Line Premium Plus
9G-TRONIC PLUS 9-speed automatic transmission	●	●	●	●
Comfort and self levelling suspension (C 300 e only)	●	●	●	●
Driving modes – DYNAMIC SELECT with a choice of driving modes (Comfort, ECO, Sport, Individual)	●	●	●	●
Sports suspension with selective damping system, lowered by 15 mm including Sports Direct Steer system (excluding C 300 e)	–	●	●	●

Exterior

	Urban Edition	AMG Line	AMG Line Premium	AMG Line Premium Plus
Acoustic ambient protection – the tone pitch changes depending on the driving conditions. You can therefore also differentiate whether you are braking or accelerating. Above 19 mph, the system is basically deactivated since wind and tyre noise tend to dominate at higher speeds (C 300 e only)	●	●	●	●
AMG Line exterior	●	●	●	●
Ambient lighting with projection of brand logo	●	●	●	●
Boot Comfort package (Estate only)	●	●	●	●
Brake calipers with 'Mercedes-Benz' lettering and perforated front brake discs	●	●	●	●
EASY-PACK automatic powered tailgate (Estate only)	●	●	●	●

	Urban Edition	AMG Line	AMG Line Premium	AMG Line Premium Plus
Exhaust pipes – two visible exhaust pipes integrated into rear bumper	●	●	●	●
Fuel tank – 50 litres (C 300 e only)	●	●	●	●
Fuel tank – 66 litres (excluding C 300 e)	–	●	●	●
Headlamps – Adaptive Highbeam Assist	●	●	–	–
Headlamps – Adaptive Highbeam Assist Plus	–	–	●	●
Headlamps – DIGITAL LIGHT	–	–	●	●
Headlamps – LED High Performance headlamps	●	●	–	–
Heat and noise insulating acoustic glass	–	–	●	●
Mirror package – electronically folding exterior mirrors, automatically dimming inside rear-view mirror and exterior mirror on the drivers side, surround lighting with projection of brand logo	●	●	●	●
Night package – specific design elements in high-gloss black, beltline trim strip and window surround in high gloss black, exterior mirror housings painted in high gloss black, heat insulating dark tinted glass from B Pillar, roof rails in black only (Estate only)	●	–	–	–
Panoramic glass sunroof (not available on Urban Edition Saloon)	●	–	●	●
Privacy glass – heat-insulating dark-tinted glass	●	●	●	●
Radiator grille – diamond grille with integrated Mercedes star as well as louvre in matt iridium silver with chrome inserts	●	●	●	●
Roof rails – aluminium finish (Estate only)	–	●	●	●
Roof rails – black (Estate only)	●	–	–	–
Tail lamps – full LED	●	●	●	●
Windscreen wipers with rain sensor	●	●	●	●



Standard equipment

● Standard – Not available

Wheels

	Urban Edition	AMG Line	AMG Line Premium	AMG Line Premium Plus
18" AMG alloy wheels – 5-spoke design, aerodynamically optimised, painted black with a high-sheen finish, 225/45 (front) and 245/40 (rear) R18 tyres (code RSK) (all engines)	●	–	–	–
18" AMG alloy wheels – 5-spoke design, aerodynamically optimised, painted tantalite grey with a high-sheen finish, 225/45 (front) and 245/40 (rear) R18 tyres (code RSJ) (C 300 e only)	–	●	●	●
19" AMG alloy wheels – 5-twin-spoke design, painted black with a high-sheen finish, 225/40 (front) and 255/35 (rear) R19 tyres (code RVD) (all engines, except C 300 e)	–	–	●	–
19" AMG alloy wheels – multi-spoke design, painted black with a high-sheen finish, 225/40 (front) and 255/35 (rear) R19 tyres (code RVC) (all engines, except C 300 e)	–	–	–	●
Summer tyres	●	●	●	●

Interior

	Urban Edition	AMG Line	AMG Line Premium	AMG Line Premium Plus
AIR-BALANCE package – fragrance generator with function button in glove box and filled fragrance bottle, ioniser in the side air duct, improved filter system between the intake area and the air distribution system of the air conditioner	–	–	–	●
AMG Line interior	●	●	●	●
Ambient lighting	●	●	●	●
Ambient lighting Premium	–	●	●	●
Boot lid convenience closing feature (Saloon only)	–	–	●	●
Door trim elements high-gloss black with silver chrome surroundings and switches	●	●	●	●
Double cup holder	●	●	●	●
Electronic key – chrome surround	●	●	●	●
Electric windows (4) – one-touch opening and closing, including obstruction sensors	●	●	●	●

ENERGIZING package Plus – 7 ENERGIZING comfort programmes, ENERGIZING COACH, multicontour seats for driver and front passenger, climatised seats for driver and front passenger, seat heating and AIR-BALANCE package

Fingerprint scanner

Floor mats – AMG

Illuminated door sills with Mercedes-Benz lettering

Interior Lighting package – lighting of footwells, door handle recesses, as well as rear reading lamps (LED) and courtesy lamps in all doors

KEYLESS-GO Comfort package

KEYLESS-GO starting function

Load compartment cover including EASY-PACK safety net (Estate only)

Memory package – electronically adjustable and storable positions of front seats and steering wheel, electronically adjustable and storable positions of further equipment (exterior mirrors, four-way lumbar support for driver and front passenger), three storage options each for the settings (driver and front passenger), PRE-SAFE positioning function for front passenger seat

Outside temperature display

Overhead control unit in high-gloss black

Pre-entry climate control¹ (C 300 e only)

Seat belts – black

Seats – AMG sports seats

Seats – comfort seats

Seats – folding seat backrest (rear)

Seats – four-way lumbar support

	Urban Edition	AMG Line	AMG Line Premium	AMG Line Premium Plus
ENERGIZING package Plus – 7 ENERGIZING comfort programmes, ENERGIZING COACH, multicontour seats for driver and front passenger, climatised seats for driver and front passenger, seat heating and AIR-BALANCE package	–	–	–	●
Fingerprint scanner	●	●	●	●
Floor mats – AMG	●	●	●	●
Illuminated door sills with Mercedes-Benz lettering	–	●	●	●
Interior Lighting package – lighting of footwells, door handle recesses, as well as rear reading lamps (LED) and courtesy lamps in all doors	●	●	●	●
KEYLESS-GO Comfort package	–	–	●	●
KEYLESS-GO starting function	–	–	●	●
Load compartment cover including EASY-PACK safety net (Estate only)	●	●	●	●
Memory package – electronically adjustable and storable positions of front seats and steering wheel, electronically adjustable and storable positions of further equipment (exterior mirrors, four-way lumbar support for driver and front passenger), three storage options each for the settings (driver and front passenger), PRE-SAFE positioning function for front passenger seat	–	●	●	●
Outside temperature display	●	●	●	●
Overhead control unit in high-gloss black	●	●	●	●
Pre-entry climate control ¹ (C 300 e only)	●	●	●	●
Seat belts – black	●	●	●	●
Seats – AMG sports seats	●	●	●	–
Seats – comfort seats	–	–	–	●
Seats – folding seat backrest (rear)	●	●	●	●
Seats – four-way lumbar support	●	●	–	–

¹The connection of the communication module to the mobile phone network including the emergency call system depends on the respective network coverage and availability of network providers

[Book a test drive](#)[Find your C-Class](#)[Find a Showroom](#)

Standard equipment

● Standard – Not available

Interior (continued)

	Urban Edition	AMG Line	AMG Line Premium	AMG Line Premium Plus
Seats – with electrical height and back adjustment (front)	●	●	●	●
Seats – heated seats (front)	●	●	●	●
Seats – split folding 40:20:40 (rear)	●	●	●	●
Seats – Seat Comfort package for driver and front passenger seat. Electro-pneumatic four-way lumbar support and manual seat cushion depth adjustment (6 cm)	●	–	–	–
Stowage – illuminated glove compartment	●	●	●	●
Stowage Space package – luggage net, collapsible crate, double cup holder and map pockets	●	●	●	●
Sun visors with illuminated vanity mirrors	●	●	●	●
THERMATIC two-zone automatic climate control	●	●	●	●

Steering

Steering – Sports Direct-Steer system with speed-sensitive steering (excluding C300 e)	●	●	●	●
Steering column – electrically adjustable for height and reach	●	●	●	●
Steering column – manually adjustable for height and reach	●	●	●	●
Steering wheel – 3-spoke multifunction sports steering wheel in black nappa leather with gearshift paddles	●	●	●	●

Paint, Trim and Upholstery

	Urban Edition	AMG Line	AMG Line Premium	AMG Line Premium Plus
Centre console – criss cross look silver grey	●	–	–	–
Centre console – metal structure finish	–	●	●	●
Dashboard, instrument panel and beltlines in ARTICO man-made leather with contrast stitching	●	●	●	●
Paint – non-metallic	●	●	●	●
Roof liner in black	●	●	●	●
Trim – anthracite line structure lime wood	–	–	●	–
Trim – black open pore aluminum line wood	–	–	–	●
Trim – metal weave	–	●	–	–
Trim – silver grey diamond pattern	●	–	–	–
Upholstery – ARTICO man-made leather	–	●	●	●
Upholstery – ARTICO man-made leather/MICROCUT microfibre	●	–	–	–

¹Our driver assistance and safety systems are aids and do not relieve you of your responsibility as the driver. Please take note of the information in the Owner's Manual and the system limits which are described therein

[Book a test drive](#)[Find your C-Class](#)[Find a Showroom](#)

Standard equipment

● Standard – Not available

Safety and Assistance Systems

	Urban Edition	AMG Line	AMG Line Premium	AMG Line Premium Plus
Active bonnet – pedestrian safety measure which detects an impact and raises bonnet	●	●	●	●
Active Brake Assist Plus ¹	●	●	●	●
Active Lane-Keeping Assist ¹	●	●	●	●
Adaptive Brake Assist with HOLD function and brake-drying function	●	●	●	●
Adaptive brake lamps	●	●	●	●
Anti-lock braking system (ABS)	●	●	●	●
Antitheft alarm system, interior monitoring system and increased antitheft protection	●	●	●	●
ATTENTION ASSIST – can help alert to prevent long journey fatigue	●	●	●	●
Automatic child seat recognition sensor	●	●	●	●
Blind Spot Assist	–	●	●	●
Central locking with interior switch, automatic locking and crash sensor with emergency opening function	●	●	●	●
Childproof locks – manually operated for rear doors and electrically operated for rear power windows	●	●	●	●
Diesel Particulate Filter (DPF) – all diesel engines	●	●	●	●
Dual-stage airbags – driver and front passenger; front centre airbag between driver and front passenger seats; sidebags in front seats; driver kneebag; pelvis bag and windowbags for driver, front passenger and rear passengers	●	●	●	●
Electric parking brake	●	●	●	●
Electronic Stability Programme (ESP®)	●	●	●	●
First-aid kit and warning triangle	●	●	●	●
Fluorescent jacket for driver	●	●	●	●

	Urban Edition	AMG Line	AMG Line Premium	AMG Line Premium Plus
ISOFIX child seat attachment points with top tether in rear	●	●	●	●
Parking package – 360° camera and Active Park Assist ¹ with PARKTRONIC. Detects free parking spaces and marked parking spaces whilst driving past. After selecting a parking space parking is effortless thanks to dynamic visualisation and audible feedback – or have the vehicle manoeuvre into the space with assisted parking	–	–	●	●
Parking package – reversing camera and Active Park Assist ¹ with PARKTRONIC. Detects free parking spaces as you drive past. As soon as a parking space has been selected, thanks to the reversing camera, ultrasonic sensors and practical visualisations you can enter a space effortlessly – or have the vehicle parked with assistance	●	●	–	–
Petrol Particulate Filter (PPF) – all petrol engines	●	●	●	●
Radar-based recuperation (C 300 e only)	●	●	●	●
Remote boot release	●	●	●	●
Service indicator ASSYST	●	●	●	●
SPEEDTRONIC cruise control with variable speed limiter	●	●	●	●
Status display for rear seat belts in instrument cluster	●	●	●	●
TIREFIT with tyre inflation compressor	●	●	●	●
Traffic Sign Assist	–	●	●	●
Tyre pressure monitoring system	●	●	●	●
URBAN GUARD vehicle protection ¹ (Thatcham Category 1)	●	●	–	–
URBAN GUARD vehicle protection Plus ² (Thatcham Category 1) consisting of a break-in and anti-theft alarm system (ATA), interior monitoring and tow-away protection	–	–	●	●

¹Our driver assistance and safety systems are aids and do not relieve you of your responsibility as the driver. Please take note of the information in the Owner's Manual and the system limits which are described therein of network providers

²The connection of the communication module to the mobile phone network including the emergency call system depends on the respective network coverage and availability

[Book a test drive](#)[Find your C-Class](#)[Find a Showroom](#)

Standard equipment

● Standard – Not available

Communications and In-Car Entertainment

	Urban Edition	AMG Line	AMG Line Premium	AMG Line Premium Plus
11.9-inch high-resolution multimedia colour display	●	●	●	●
12.3-inch digital individually configurable instrument cluster display	●	●	●	●
Digital Extras (standard services) ¹ – emergency call system (eCall) ² , accident recovery, breakdown management and maintenance management	●	●	●	●
Digital Extras (Vehicle Set-up and Vehicle Monitoring) ¹ – onboard use of remote and location services, e.g. geographic vehicle monitoring, vehicle location, remote door locking and unlocking, remote interrogation of vehicle status. Remote Online subscription services are limited to three years from initial registration, and can be extended at additional cost	●	●	●	●
Digital radio	●	●	●	●
Hard disc navigation	●	●	●	●
Head-up display – projects key driver information such as vehicle speed, navigation tips and speed limits as virtual colour image (21 × 7 cm) into the driver's field of vision. Special light sensors adjust the brightness of the head-up display to ensure good visibility without distraction. The display is easily height-adjustable	–	–	–	●

	Urban Edition	AMG Line	AMG Line Premium	AMG Line Premium Plus
MBUX extended functions ¹	●	●	●	●
MBUX voice control activated by keywords “Hey Mercedes”	●	●	●	●
MBUX Navigation Premium ¹	●	●	●	●
Remote services ¹	–	●	●	●
Remote and Charging Services Plus ¹ (C 300 e only)	●	●	●	●
Smartphone integration ³	●	●	●	●
Sound system – advanced sound system	–	–	●	–
Sound system – Burmester® 3D surround sound system including sound personalisation	–	–	–	●
USB package – two USB-C ports under the front centre arm rest (suitable for data transfer)	●	–	–	–
USB package Plus – two USB-C ports in centre console (quick charging, suitable for data transfer), two USB-C ports under the front centre armrest (quick charging and suitable for data transfer), two rear USB-C ports on the centre armrest (quick charging)	–	●	●	●
Wireless charging ³	●	●	●	●

¹The connection of the communication module to the mobile phone network including the emergency call system depends on the respective network coverage and availability of network providers

²Please be aware Mercedes-Benz emergency call system comes as standard for the first 10 years of the vehicle's lifecycle

³Compatible mobile phone required

Design	Technology	Plug-in Hybrid	Model lines	Upholstery	Model prices	Mercedes-AMG	Mercedes-AMG upholstery	Mercedes-AMG prices	Personalisation	Standard equipment	Genuine accessories	Technical data	Additional information
--------	------------	----------------	-------------	------------	--------------	--------------	-------------------------	---------------------	-----------------	--------------------	---------------------	----------------	------------------------



Standard equipment Mercedes-AMG

● Standard ○ Optional – Not available

Battery and Charging

	C 43 Night Ed. Premium Plus	C 63 S e Night Ed. Prem. Plus	C 43 Edition Midnight	C 63 S e Carbon Edition
Charging cable – Mode 2 cable (5 metres, straight) for domestic socket	–	–	–	● ●
Charging cable – Mode 3 cable (5 metres, straight) for wallbox and public charging stations	–	–	–	● ●
Charging socket	–	–	–	● ●
Charging system – rated at 3.7 kW AC	–	–	–	● ●

Engine, Transmission and Suspension

	C 43 Night Ed. Premium Plus	C 63 S e Night Ed. Prem. Plus	C 43 Edition Midnight	C 63 S e Carbon Edition
9G-TRONIC PLUS 9-speed automatic transmission	●	●	●	● ●
AGILITY CONTROL sports suspension with Adaptive Damping System	●	●	●	● ●
AMG Driver's package	–	–	–	● ●
AMG DYNAMIC PLUS package	–	–	●	– –
AMG RIDE CONTROL suspension	●	●	●	● ●
Driving modes – AMG DYNAMIC SELECT with a choice of five driving modes (Slippery, Comfort, Sport, Sport+, Individual)	●	●	●	– –
Driving modes – AMG DYNAMIC SELECT with a choice of eight driving modes (Electric, Comfort, Battery Hold, Sport, Sport+, Race, Slippery, Individual)	–	–	–	● ●

Exterior

	C 43 Night Ed. Premium Plus	C 63 S e Night Ed. Prem. Plus	C 43 Edition Midnight	C 63 S e Carbon Edition
Acoustic ambient protection – the tone pitch changes depending on the driving conditions. You can therefore also differentiate whether you are braking or accelerating. Above 19 mph, the system is basically deactivated since wind and tyre noise tend to dominate at higher speeds	–	–	–	● ●
Adaptive Highbeam Assist Plus	●	●	●	● ●
Ambient lighting with projection of brand logo	●	●	●	● ●
AMG Aerodynamics package – front splitter with flics on the sides in high-gloss black, AMG Performance spoiler in high-gloss black, side attachments for air outlets in the rear apron in high-gloss black, aerodynamically optimised diffuser in high gloss black	–	–	–	● ●
AMG Exterior Carbon Fibre package II – outside mirror housing in carbon-fibre design and spoiler lip in carbon fibre (Saloon only)	–	–	●	– –
AMG Exterior Carbon Fibre package I & II – AMG carbon fibre trim strip in the front apron, inserts in the AMG side member trim made of carbon fibre, decorative carbon fibre diffuser in the rear apron, outside mirror housing in carbon-fibre design and spoiler lip in carbon fibre (Saloon only) or high-gloss black (Estate only)	–	–	–	– ●
AMG Exterior Night package – exterior features in high-gloss black: trim strip in the front splitter in the AMG front apron, outside mirror housings, inserts in the AMG side sill panels, waistline trim strip and window weatherstrips as well as decorative brace in rear apron. Heat-insulating dark-tinted glass for rear side windows and rear window. AMG exhaust system with two black chrome-plated twin tailpipe trim elements	–	●	●	● ●
AMG Exterior Night package II – AMG-specific radiator grille, darkened and typography in black chrome on the front wings and rear	–	–	●	– ●
AMG fuel cap	●	●	●	● ●
AMG high-performance braking system with silver-painted brake callipers	●	●	–	– –
AMG high-performance braking system with ceramic composite brakes	–	–	–	○ ●
AMG high-performance composite braking system with red-painted brake callipers with 'AMG' lettering	–	–	●	● –

[Book a test drive](#)[Find your C-Class](#)[Find a Showroom](#)

Standard equipment Mercedes-AMG

● Standard ○ Optional – Not available

Exterior (continued)

	C 43 Night Ed. Premium Plus	C 43 Edition Midnight	C 63 S e Night Ed. Prem. Plus	C 63 S e Carbon Edition
AMG Styling package	–	–	●	–
Boot Comfort package (Estate only)	●	●	●	●
Brake callipers – red	–	–	●	–
Brake callipers – silver	●	●	–	–
EASY PACK automatic powered tailgate (Estate only)	●	●	●	●
Exterior mirrors – heated and electronically adjustable	●	●	●	●
Exhaust system – AMG exhaust system with two black chrome-plated twin tailpipe trim elements	–	–	–	●
Exhaust system – AMG exhaust system with two round twin tailpipe trim elements plated in black chrome	–	●	●	–
Exhaust system – with two round twin tailpipe trim elements in high-gloss chrome	●	–	–	–
Flared wheel arches	●	●	●	●
Fuel tank with increased capacity – 60 litres	–	–	–	●
Fuel tank with increased capacity – 66 litres	●	●	●	–
Headlamps – DIGITAL LIGHT	●	●	–	●
Headlamps – DIGITAL LIGHT with projection function	–	–	●	–
Mercedes-AMG exterior for C 43 4MATIC – AMG bodystyling consisting of AMG-specific radiator grille with vertical struts in high-gloss chrome and 'AMG' logo, AMG front apron with sporty, distinctive air inlets with two louvres each at the sides and flics at the front in high-gloss black, AMG side sill panels, AMG rear apron in a diffuser look in black with two round twin tailpipe trim elements in high-gloss chrome, AMG spoiler lip on the boot lid in vehicle colour, badge with 'TURBO ELECTRIFIED' lettering on the front wings, and Mercedes-AMG specific model designation on the boot lid	●	●	●	–

Mercedes-AMG exterior for C 63 S e 4MATIC+ – AMG bodystyling consisting of AMG-specific radiator grille with vertical struts and 'AMG' logo, AMG front apron with A-wing in high-gloss black, large closable cooling air inlets, side louvres and flics in high-gloss black and front splitter in matt chrome, specific bonnet with powerdomes and a large central air outlet with cover, flared AMG wings with 'TURBO E PERFORMANCE' lettering on the front wings, AMG side sill panels with inserts in matt chrome, AMG rear apron with diffuser panel in high-gloss black with four diffuser fins and strut in matt chrome, two trapezoidal twin tailpipe trims in high-gloss chrome, AMG spoiler lip on the boot lid in vehicle colour, and AMG model badge on boot lid with 'AMG' lettering on the left and 'C 63 S' lettering on the right

Mirror package – electronically folding exterior mirrors, automatically dimming inside rear-view mirror and exterior mirror on the drivers side, surround lighting with projection of brand logo

Panoramic glass sunroof

Privacy glass – heat-insulating, dark-tinted glass

Radiator grille – AMG-specific radiator grille with vertical struts in high-gloss chrome and AMG logo

Radiator grille – AMG-specific radiator grille with vertical struts in black chrome and AMG Logo

Rain-sensing windscreen wipers

Roof rails – aluminium finish (Estate only)

Roof rails – black (Estate only)

Spoiler lip – AMG Performance spoiler lip in carbon fibre (Saloon only)

Spoiler lip – AMG Performance spoiler lip in high-gloss black (Saloon only)

Spoiler lip – AMG spoiler lip (Saloon only)

Tail lamps – full LED

Top surround of side windows in polished aluminium

Windscreen wipers with rain sensor

	C 43 Night Ed. Premium Plus	C 43 Edition Midnight	C 63 S e Night Ed. Prem. Plus	C 63 S e Carbon Edition
Mercedes-AMG exterior for C 63 S e 4MATIC+ – AMG bodystyling consisting of AMG-specific radiator grille with vertical struts and 'AMG' logo, AMG front apron with A-wing in high-gloss black, large closable cooling air inlets, side louvres and flics in high-gloss black and front splitter in matt chrome, specific bonnet with powerdomes and a large central air outlet with cover, flared AMG wings with 'TURBO E PERFORMANCE' lettering on the front wings, AMG side sill panels with inserts in matt chrome, AMG rear apron with diffuser panel in high-gloss black with four diffuser fins and strut in matt chrome, two trapezoidal twin tailpipe trims in high-gloss chrome, AMG spoiler lip on the boot lid in vehicle colour, and AMG model badge on boot lid with 'AMG' lettering on the left and 'C 63 S' lettering on the right	–	–	–	●
Mirror package – electronically folding exterior mirrors, automatically dimming inside rear-view mirror and exterior mirror on the drivers side, surround lighting with projection of brand logo	●	●	●	●
Panoramic glass sunroof	●	●	●	●
Privacy glass – heat-insulating, dark-tinted glass	●	●	●	●
Radiator grille – AMG-specific radiator grille with vertical struts in high-gloss chrome and AMG logo	●	●	–	–
Radiator grille – AMG-specific radiator grille with vertical struts in black chrome and AMG Logo	–	–	●	–
Rain-sensing windscreen wipers	●	●	●	●
Roof rails – aluminium finish (Estate only)	●	–	–	–
Roof rails – black (Estate only)	–	●	●	●
Spoiler lip – AMG Performance spoiler lip in carbon fibre (Saloon only)	–	–	●	–
Spoiler lip – AMG Performance spoiler lip in high-gloss black (Saloon only)	–	–	–	●
Spoiler lip – AMG spoiler lip (Saloon only)	●	●	–	–
Tail lamps – full LED	●	●	●	●
Top surround of side windows in polished aluminium	●	–	–	–
Windscreen wipers with rain sensor	●	●	●	●



Standard equipment Mercedes-AMG

● Standard ○ Optional – Not available

Wheels

	C 43 Night Ed. Premium Plus	C 43 Edition Midnight	C 63 S e Night Ed. Prem. Plus	C 63 S e Carbon Edition
19" AMG alloy wheels – 5-twin-spoke design, titanium grey with a high-sheen finish, 245/40 (front) and 265/35 (rear) R19 tyres (code RSW)	●	–	–	–
20" AMG alloy wheels – 5-twin-spoke design, aerodynamically optimised, painted tantalite grey with a high-sheen finish, 245/35 (front) and 265/30 (rear) R20 tyres (code RZX)	–	●	–	–
20" AMG alloy wheels – 10-twin-spoke design, painted matt black with a high-sheen finish, 245/35 (front) and 265/30 (rear) R20 tyres (code RZY)	–	–	●	–
20" AMG alloy wheels – cross-spoke design, painted high-gloss black with a high-sheen finish, 265/35 (front) and 275/35 (rear) R20 tyres (code RZT)	–	–	–	●
Summer tyres	●	●	●	●

Interior

Ambient lighting	●	●	●	●	●
Ambient lighting Premium	●	●	●	●	●
AMG Real Performance Sound	●	●	●	●	●
Automatically dimming rear view mirror and driver's exterior mirror	●	●	●	●	●
Boot lid convenience closing feature (Saloon only)	●	●	●	●	●
Door sills – illuminated door sills with 'AMG' lettering and exchangeable cover	●	●	●	●	●
Electric windows (4) – one-touch opening and closing, including obstruction sensors	●	●	●	●	●
Electronic key – chrome surround	●	●	●	●	●
Fingerprint scanner	●	●	●	●	●
Floor mats – black with 'AMG' lettering	●	●	●	●	●

	C 43 Night Ed. Premium Plus	C 43 Edition Midnight	C 63 S e Night Ed. Prem. Plus	C 63 S e Carbon Edition
Heat- and noise-insulating acoustic glass	●	●	●	●
Interior Lighting package – illuminated glove box, illumination of wireless mobile interface, illumination of stowage compartment in the centre console or the double cup holders, illumination of stowage compartment under the centre console, two make-up lights at the front, two reading lights in the overhead control panel, two reading lights and interior light function in the rear grab handles, illumination of the boot or load compartment	●	●	●	●
Load compartment cover including EASY-PACK safety net (Estate only)	●	●	●	●
KEYLESS-GO starting function	●	●	●	●
KEYLESS-GO Comfort package	●	●	●	●
Outside temperature display	●	●	●	●
Memory package – electronically adjustable and storable positions of front seats and steering wheel, electronically adjustable and storable positions of further equipment (exterior mirrors, four-way lumbar support for driver and front passenger), three storage options each for the settings (driver and front passenger), PRE-SAFE positioning function for front passenger seat	●	●	●	●
Mercedes-AMG interior	●	●	●	●
Pre-entry climate control ¹	–	–	–	●
Seat belts – black	●	●	●	●
Seat belts – red (not in conjunction with power red or sienna brown upholstery)	●	●	●	○
Seats – AMG Performance Seat package Advanced – AMG Performance seats, including: Memory package, four-way lumbar support, seat heating for driver and passenger, AMG lettering in the seat backrests, trim elements in matt black, injection-moulded clamping part and front trim moulding in high-gloss black with silver lettering	–	–	–	●

¹The connection of the communication module to the mobile phone network including the emergency call system depends on the respective network coverage and availability of network providers

[Book a test drive](#)[Find your C-Class](#)[Find a Showroom](#)

Standard equipment Mercedes-AMG

● Standard – Not available

Interior (continued)

	C 43 Night Ed. Premium Plus	C 43 Edition Midnight	C 63 S e Carbon Edition	C 63 S e Night Ed. Prem. Plus	C 63 S e Carbon Edition
Seats – AMG Performance Seat package High-End – AMG Performance seats, Memory package, Multi-Contour seat package, seat heating for driver and front passenger, perforated seats, AMG lettering in the seat backrests, AMG emblem in the head restraint, seat-back lining finished in man-made leather and front chrome plated trim panel with black lettering, chrome trim elements, back of head restraint coated; backrest lining finished in artificial leather and front trim moulding chrome-plated with black lettering	–	–	●	●	–
Seats – AMG sport seats	●	●	–	○	○
Seats – folding seat back rest (rear)	●	●	●	●	●
Seats – front, with electrical height and back adjustment	●	●	●	●	●
Seats – heated seats (front)	●	●	●	●	●
Seats – split folding 40:20:40 (rear)	●	●	●	●	●
Seats – Seat Comfort package for driver and front passenger seat. Electro-pneumatic four-way lumbar support and manual seat cushion depth adjustment (6cm)	●	●	●	–	–
Sports pedals in brushed stainless steel with rubber studs	●	●	●	●	●
Stowage – double cupholder in centre console	●	●	●	●	●
Stowage – front centre armrest with stowage compartment	●	●	●	●	●
Stowage – illuminated glove compartment	●	●	●	●	●
Stowage Space package – luggage net, collapsible crate, double cup holder and map pockets	●	●	●	●	●
Sun visors with illuminated vanity mirrors	●	●	●	●	●
THERMATIC two-zone automatic climate control	●	●	–	●	●
THERMOTRONIC four-zone automatic climate control	–	–	●	–	–

Steering

	C 43 Night Ed. Premium Plus	C 43 Edition Midnight	C 63 S e Carbon Edition	C 63 S e Night Ed. Prem. Plus	C 63 S e Carbon Edition
Steering – rear axle steering	●	●	●	●	●
Steering – Sports Direct-Steer system with speed-sensitive sports steering	●	●	●	●	●
Steering column – electrically adjustable for height and reach	●	●	●	●	●
Steering wheel – AMG Performance steering wheel in carbon fibre/MICROCUT microfibre	–	–	●	–	●
Steering wheel – AMG Performance steering wheel in nappa leather	●	●	–	–	–
Steering wheel – AMG Performance steering wheel in nappa leather/MICROCUT microfibre	–	–	–	●	–
Steering wheel – multifunction steering wheel with audio and onboard setting controls, gearshift paddles and AMG steering wheel buttons	●	●	●	●	●

Paint, Trim and Upholstery

	C 43 Night Ed. Premium Plus	C 43 Edition Midnight	C 63 S e Carbon Edition	C 63 S e Night Ed. Prem. Plus	C 63 S e Carbon Edition
Centre console – high-gloss black	–	●	●	●	●
Centre console – metal structure finish	●	–	–	–	–
Dashboard – black open pore aluminum line wood trim	●	–	–	–	–
Dashboard – AMG carbon fibre	–	●	●	●	●
Dashboard, instrument panel and beltlines in ARTICO man-made leather in black nappa look	●	●	●	●	●
Paint – metallic or magno, available at no cost in: obsidian black metallic, graphite grey metallic and graphite grey magno	–	–	●	–	–
Paint – non-metallic	●	●	–	●	●
Roof liner – black	●	●	●	●	●
Upholstery – AMG ARTICO man-made leather/MICROCUT microfibre – black	–	–	–	–	●
Upholstery – AMG leather	●	●	●	–	–
Upholstery – AMG nappa leather	–	–	–	●	–

¹Our driver assistance and safety systems are aids and do not relieve you of your responsibility as the driver. Please take note of the information in the Owner's Manual and the system limits which are described therein



Standard equipment Mercedes-AMG

● Standard ○ Optional – Not available

Safety and Assistance Systems

	C 43 Night Ed. Premium Plus	C 43 Edition Midnight	C 63 S e Night Ed. Prem. Plus	C 63 S e Carbon Edition
Active bonnet – pedestrian safety measure which detects an impact and raises bonnet	●	●	●	●
Active Brake Assist Plus ¹	●	●	●	●
Active Lane Keeping Assist ¹	●	●	●	●
Adaptive Brake Assist ¹ with HOLD function and brake-drying function	●	●	●	●
Adaptive brake lamps	●	●	●	●
Anti-lock braking system (ABS)	●	●	●	●
Antitheft alarm system, interior monitoring system and increased antitheft protection	●	●	●	●
ATTENTION ASSIST – can help alert to prevent long journey fatigue	●	●	●	●
Automatic child seat recognition sensor	●	●	●	●
Blind Spot Assist	●	●	●	●
Central locking with interior switch, automatic locking and crash sensor with emergency opening function	●	●	●	●
Childproof locks – manually operated for rear doors and electrically operated for rear power windows	●	●	●	●
Dual-stage airbags – driver and front passenger; front centre airbag between driver and front passenger seats; sidebags in front seats; driver kneebag; pelvis bag and windowbags for driver, front passenger and rear passengers	●	●	●	●
Electric parking brake	●	●	●	●
Electronic Stability Programme (ESP [®])	●	●	●	●

	C 43 Night Ed. Premium Plus	C 43 Edition Midnight	C 63 S e Night Ed. Prem. Plus	C 63 S e Carbon Edition
First-aid kit and warning triangle	●	●	●	●
Fluorescent jacket for driver	●	●	●	●
ISOFIX child seat attachment points with top tether in rear	●	●	●	●
Parking package – 360° camera and Active Park Assist ¹ with PARKTRONIC. Detects free parking spaces and marked parking spaces whilst driving past. After selecting a parking space parking is effortless thanks to dynamic visualisation and audible feedback – or have the vehicle manoeuvre into the space with assisted parking	●	●	●	●
Petrol Particulate Filter (PPF) – all petrol engines	●	●	●	●
PRE-SAFE [®] system	–	–	–	●
Radar-based recuperation	–	–	–	●
Remote boot release	●	●	●	●
Service indicator ASSYST	●	●	●	●
SPEEDTRONIC cruise control with variable speed limiter	●	●	●	●
Status display for rear seat belts in instrument cluster	●	●	●	●
TIREFIT with tyre inflation compressor	●	●	●	●
Traffic Sign Assist	●	●	●	●
Tyre pressure monitoring system	●	●	●	●
URBAN GUARD vehicle protection Plus ² (Thatcham Category 1) consisting of a break-in and anti-theft alarm system (ATA), interior monitoring and tow-away protection	●	●	●	●

¹Our driver assistance and safety systems are aids and do not relieve you of your responsibility as the driver. Please take note of the information in the Owner's Manual and the system limits which are described therein of network providers

²The connection of the communication module to the mobile phone network including the emergency call system depends on the respective network coverage and availability

[Book a test drive](#)[Find your C-Class](#)[Find a Showroom](#)

Standard equipment Mercedes-AMG

● Standard – Not available

Communications and In-Car Entertainment

	C 43 Night Ed. Premium Plus	C 43 Edition Midnight	C 63 S e Night Ed. Prem. Plus	C 63 S e Carbon Edition
11.9-inch high-resolution multimedia colour display	●	●	●	●
12.3-inch digital individually configurable instrument display	●	●	●	●
AMG TRACK PACE	–	–	–	●
DAB digital radio tuner	●	●	●	●
Dashcam	●	●	●	●
Digital Extras (standard services) ¹ – emergency call system (eCall) ² , accident recovery, breakdown management and maintenance management	●	●	●	●
Digital Extras (Vehicle Set-up and Vehicle Monitoring) ¹ – onboard use of remote and location services, e.g. geographic vehicle monitoring, vehicle location, remote door locking and unlocking, remote interrogation of vehicle status. Remote Online subscription services are limited to three years from initial registration, and can be extended at additional cost	●	●	●	●
Hard disc navigation	●	●	●	●
Head-up display – projects key driver information such as vehicle speed, navigation tips and speed limits as virtual colour image (21 × 7 cm) into the driver's field of vision. Special light sensors adjust the brightness of the head-up display to ensure good visibility without distraction. The display is easily height-adjustable	–	●	●	●
MBUX augmented reality for navigation	●	●	●	●

	C 43 Night Ed. Premium Plus	C 43 Edition Midnight	C 63 S e Night Ed. Prem. Plus	C 63 S e Carbon Edition
MBUX extended functions ¹	●	●	●	●
MBUX Interior Assist	–	–	●	–
MBUX voice control activated by keywords “Hey Mercedes”	●	●	●	●
MBUX Navigation Premium ¹	●	●	●	●
Pre-installation for digital key transfer ¹	●	●	●	●
Radio aerial integrated into rear window	●	●	●	●
Remote services ¹	●	●	●	–
Remote and Charging Services Plus ¹	–	–	–	●
Smartphone integration ³	●	●	●	●
Sound system – advanced sound system	●	–	–	–
Sound system – Burmester® 3D surround sound system with sound personalisation	–	●	●	●
USB package Plus – two USB-C ports in centre console (quick charging, suitable for data transfer), two USB-C ports under the front centre armrest (quick charging and suitable for data transfer), two rear USB-C ports on the centre armrest (quick charging)	●	●	●	●
Wireless charging ³ surface integrated into quick stowage tray in front of centre console. Quick establishment of connection between multimedia system and mobile phone via Near Field Communication (NFC)	●	●	●	●

¹The connection of the communication module to the mobile phone network including the emergency call system depends on the respective network coverage and availability of network providers

²Please be aware Mercedes-Benz emergency call system comes as standard for the first 10 years of the vehicle's lifecycle

³Compatible mobile phone required

Genuine accessories

We've developed a range of accessories you can add to help personalise and enhance your C-Class.



Velour floor mats CLASSIC, set, 4-piece, All-Terrain - Estate only

Floor mats have to undergo rigorous testing before they are deemed worthy of the star logo. The mats are precision-tailored to your Mercedes-Benz. Can be clip-fastened to the floor of the vehicle to prevent slipping. Elegant, high-quality tufted velour mat with embroidered ALL-TERRAIN label. (A20668007029J74)



Reversible mat, precision fit - Estate only

This anti-slip mat by Mercedes-Benz protects the boot floor during loading and unloading. This mat is hard-wearing, made from 100% polyester and boasts dual use as it is double-sided. The rubberised and non-slip side minimises slipping of goods. The soft velour side protects the luggage-compartment floor against moisture and dirt. And if anything should go wrong, it is easy to clean with warm water. (Estate: A2066804902; Estate Hybrid: A2066803404)



Mud flaps

The mud flaps protect the sides, rear and underbody of your vehicle from scratches and damage from loose chippings. They also protect following traffic from being struck by stones, water spray or mud. And they help minimise spray too. The mud flaps are precision-tailored to the contours of the vehicle. (front: A2068900800; rear: A2068900900)

Boot tub
 Made from impact-resistant, non-slip polypropylene. Structured surface holds separately available stowage crate in place. Vehicle's load-securing rings remain accessible. (Saloon: A2068140000; Estate: A2068140100; Estate Hybrid: A2068140100)



All the above accessories are subject to availability and compatibility. Please ask your Mercedes-Benz Authorised Repairer for more information. Images shown are for illustration purposes only.

Design	Technology	Plug-in Hybrid	Model lines	Upholstery	Model prices	Mercedes-AMG	Mercedes-AMG upholstery	Mercedes-AMG prices	Personalisation	Standard equipment	Genuine accessories	Technical data	Additional information
--------	------------	----------------	-------------	------------	--------------	--------------	-------------------------	---------------------	-----------------	--------------------	---------------------	----------------	------------------------



Basic carrier bars

Aluminium carrier bars, precision-tailored to the body of your Mercedes-Benz – the perfect basis for a range of Mercedes-Benz transport accessories. With integral tool for quick, easy fitting. Asymmetrical aerodynamic profile enhances ride comfort by significantly reducing wind noise. Crash-tested. Lockable.

(Saloon: A2068900500; Estate: A2068900600)



Bicycle rack

Extremely lightweight bicycle rack, designed to allow you to attach a bicycle to the basic carrier bars. Please bear in mind your vehicle's permissible roof load. Bicycle racks are supplied singly. (A0008900293)



Semi-automatic trailer coupling

Semi-automatic folding trailer coupling, specifically for Mercedes-Benz vehicles. High corrosion protection.

(Saloon: A2063100800;
Estate: A2063100900)



Roof box

Mercedes-Benz roof box, impact-resistant, sturdy, durable, recyclable, spray-protected. Opens on both sides. Single lock system with three locking mechanisms on each side. Gas-filled struts for easy opening and closing of lid. Maximum load capacity of 75 kg. Unladen weight 16 kg. (A0008401100)

All the above accessories are subject to availability and compatibility. Please ask your Mercedes-Benz Authorised Repairer for more information

Images shown are for illustration purposes only

Design	Technology	Plug-in Hybrid	Model lines	Upholstery	Model prices	Mercedes-AMG	Mercedes-AMG upholstery	Mercedes-AMG prices	Personalisation	Standard equipment	Genuine accessories	Technical data	Additional information
--------	------------	----------------	-------------	------------	--------------	--------------	-------------------------	---------------------	-----------------	--------------------	---------------------	----------------	------------------------

[Book a test drive](#)[Find your C-Class](#)[Find a Showroom](#)

Technical data Saloon

- Standard

Model	C220 d	C300 d	C200	C300	C300 e
Engine					
Fuel delivery	Diesel	Diesel	Petrol	Petrol	Petrol
Total displacement	cc 1,993	1,993	1,496	1,999	1,999
Arrangement/cylinders/valves	in-line/4/16	in-line/4/16	in-line/4/16	in-line/4/16	in-line/4/16
Power ¹	hp (kW) at rpm				
Combustion engine	197 (145)/3,600	265 (195)/4,200	204 (150)/5,800–6,100	258 (190)/5,800	204 (150)/6,100
Mild hybrid drive	20 (15)	20 (15)	20 (15)	20 (15)	-
Electric motor	-	-	-	-	129 (95)
System output	-	-	-	-	313 (230)
Torque ¹	Nm at rpm				
Combustion engine	440/1,800–2,800	550/1,800–2,200	300/1,800–4,000	400/2,000–3,200	320/2,000–4,000
Electric motor	-	-	-	-	440
System output	-	-	-	-	550
Compression ratio	15.5:1	15.5:1	10.5:1	10.0:1	10.0:1
Equivalent All-Electric Range (EAER) ²	mi -	-	-	-	68–71
Battery type (usable)	kWh -	-	-	-	Lithium-ion/19.5
Range power consumption, combined ^{2,3}	wh/100 km -	-	-	-	193–198
Charging time					
Wallbox (7.4 kW AC) 10–100% ⁴	-	-	-	-	3 hrs
Wallbox (11 kW AC) 10–100% ⁴	-	-	-	-	2 hrs
DC charging (55 kW DC) 10–80% ⁵	-	-	-	-	20 mins
Capacity on-board charger	kW -	-	-	-	11 AC/55 DC
Emissions standard	Euro 6e	Euro 6e	Euro 6e	Euro 6e	Euro 6e

Transmission

9G-TRONIC PLUS 9-speed automatic	●	●	●	●	●
----------------------------------	---	---	---	---	---

¹Figures according to Directive 80/1269/EEC in the currently applicable version ²The indicated values were determined according to the prescribed measurement method - Worldwide Harmonised Light Vehicle Test Procedure (WLTP). Figures shown may include options which are not available in the UK. For Plug-in Hybrid Electric Vehicle (PHEV) figures determined with the battery fully charged, using a combination of both battery power and fuel. These models require mains electricity for charging ³The certified electrical consumption is generally determined at maximum AC charging capacity using a Mode 3 cable. It is therefore recommended that vehicles with a HV battery preferably be charged at a wallbox or an AC charging station with a Mode 3 cable in order to achieve shorter charging times and improved charging efficiency ⁴Specified voltage and current values refer to network infrastructure and can be limited by the vehicle. Times are from 10-100% charge using a wallbox (three-phase) or standard socket (single-phase) ⁵Specified voltage and current values refer to network infrastructure and can be limited by the vehicle. Times are from 10-80% charge using a wallbox (three-phase) or standard socket (single-phase)

[Book a test drive](#)[Find your C-Class](#)[Find a Showroom](#)

Technical data Saloon

Model		C220 d	C300 d	C200	C300	C300 e
Performance						
Acceleration 0–62 mph	sec	7.5	5.7	7.3	6.0	6.3
Top speed	mph	152	155	153	155	149

Weights and capacities						
Kerb weight ⁶	kg	1,795	1,815	1,695	1,720	2,130
Perm. Gross Vehicle Weight	kg	2,355	2,380	2,265	2,280	2,670
Boot capacity – seats up	l	455	455	455	455	315
Towing capacity – unbraked/braked	kg	750/1,800	750/1,800	750/1,800	750/1,800	750/1,800
Fuel tank capacity/of which reserve	l	66/7	66/7	66/7	66/7	50/7
Turning circle	m	11.07	11.07	11.07	11.07	11.45

Fuel consumption^{7,8,9}						
Combined (consumption dependent on chosen optional equipment)	l/100 km	4.8–4.5	5.2	6.2–6.6	6.8–6.7	0.6–0.5
	mpg	58.9–62.8	54.3	42.8–45.6	41.5–42.2	470.8–565.0

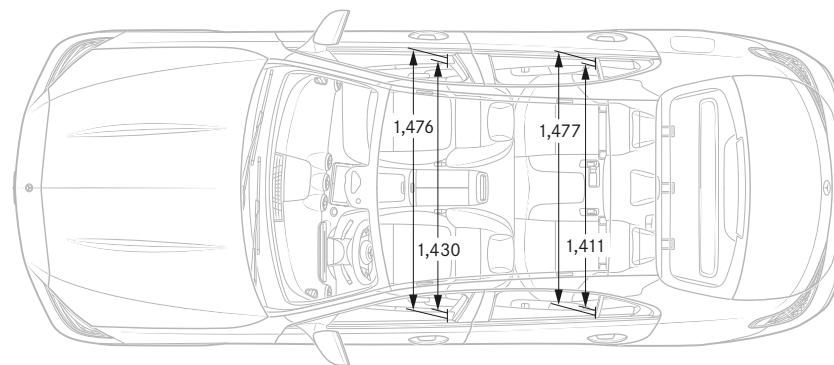
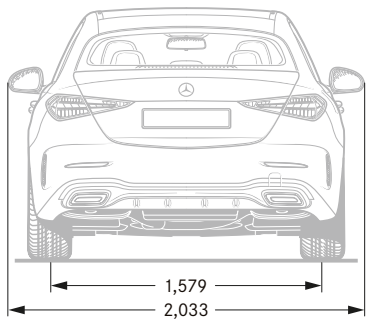
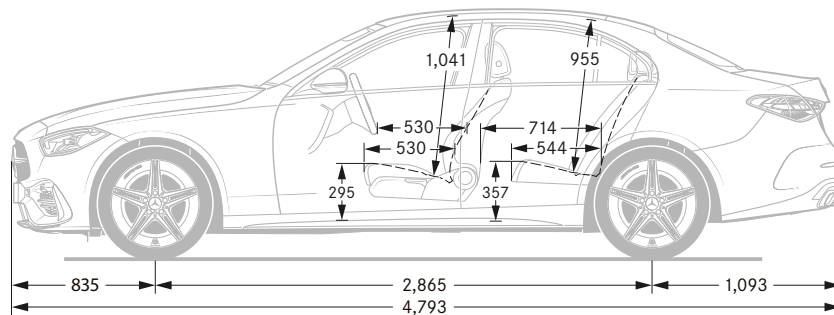
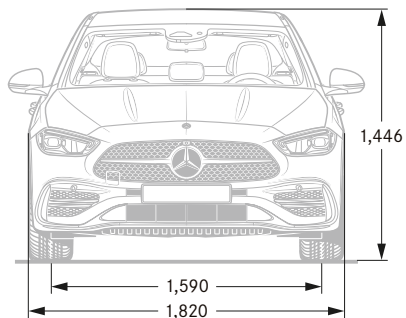
Insurance						
Group rating		34E–38E	38E–41E	33E–37E	36E–39E	43E–45E

Insurance ratings may vary depending on model line and specification.

⁶Mass of the vehicle in running order with at least 90% full fuel tank, plus the mass of the driver (estimated by law at 75 kg), fuel and fluids, equipped with the standard equipment as specified by the manufacturer as well as, where applicable, the mass of the body, cab, trailer coupling and spare wheel(s) as well as tools. Optional extras, additional equipment and accessories can influence the weight, residual payload, rolling resistance, aerodynamics, etc., and therefore also affect the consumption/CO₂ values ⁷All figures are based on a standard specification with the smallest tyre size ⁸The choice of wheels and transmission may affect CO₂ emissions and corresponding Road Fund Licence ⁹The indicated values were determined according to the prescribed measurement method - Worldwide Harmonised Light Vehicle Test Procedure (WLTP). Figures shown may include options which are not available in the UK

[Book a test drive](#)[Find your C-Class](#)[Find a Showroom](#)

Mercedes-Benz C-Class Saloon models



All measurements in millimetres. The dimensions shown are mean values and apply to standard-specification, unladen vehicles

Design	Technology	Plug-in Hybrid	Model lines	Upholstery	Model prices	Mercedes-AMG	Mercedes-AMG upholstery	Mercedes-AMG prices	Personalisation	Standard equipment	Genuine accessories	Technical data	Additional information
--------	------------	----------------	-------------	------------	--------------	--------------	-------------------------	---------------------	-----------------	--------------------	---------------------	----------------	------------------------

[Book a test drive](#)[Find your C-Class](#)[Find a Showroom](#)

Technical data Estate

● Standard

Model	C220 d	C300 d	C200	C300	C300 e
Engine					
Fuel delivery	Diesel	Diesel	Petrol	Petrol	Petrol
Total displacement	cc 1,993	1,993	1,496	1,999	1,999
Arrangement/cylinders/valves	in-line/4/16	in-line/4/16	in-line/4/16	in-line/4/16	in-line/4/16
Power ¹	hp (kW) at rpm				
Combustion engine	197 (145)/3,600	265 (195)/4,200	204 (150)/5,800–6,100	258 (190)/5,800	204 (150)/6,100
Mild hybrid drive	20 (15)	20 (15)	20 (15)	20 (15)	-
Electric motor	-	-	-	-	180 (95)
System output	-	-	-	-	313 (230)
Torque ¹	Nm at rpm				
Combustion engine	440/1,800–2,800	550/1,800–2,200	300/1,800–4,000	400/2,000–3,200	320/2,000–4,000
Electric motor	-	-	-	-	440
System output	-	-	-	-	550
Compression ratio	15.5:1	15.5:1	10.5:1	10.0:1	10.0:1
Equivalent All-Electric Range (EAER) ²	mi -	-	-	-	65–68
Battery type (usable)	kWh -	-	-	-	Lithium-ion/19.5
Range power consumption, combined ^{2,3}	wh/100 km -	-	-	-	198–225
Charging time					
Wallbox (7.4 kW AC) 10–100% ⁴	-	-	-	-	3 hrs
Wallbox (11 kW AC) 10–100% ⁴	-	-	-	-	2 hrs
DC charging (55 kW DC) 10–80% ⁵	-	-	-	-	20 mins
Capacity on-board charger	kW -	-	-	-	11 AC/55 DC
Emissions standard	Euro 6e	Euro 6e	Euro 6e	Euro 6e	Euro 6e

Transmission	C220 d	C300 d	C200	C300	C300 e
9G-TRONIC PLUS 9-speed automatic	●	●	●	●	●

¹Figures according to Directive 80/1269/EEC in the currently applicable version ²The indicated values were determined according to the prescribed measurement method - Worldwide Harmonised Light Vehicle Test Procedure (WLTP). Figures shown may include options which are not available in the UK. For Plug-in Hybrid Electric Vehicle (PHEV) figures determined with the battery fully charged, using a combination of both battery power and fuel. These models require mains electricity for charging ³The certified electrical consumption is generally determined at maximum AC charging capacity using a Mode 3 cable. It is therefore recommended that vehicles with a HV battery preferably be charged at a wallbox or an AC charging station with a Mode 3 cable in order to achieve shorter charging times and improved charging efficiency ⁴Specified voltage and current values refer to network infrastructure and can be limited by the vehicle. Times are from 10-100% charge using a wallbox (three-phase) or standard socket (single-phase) ⁵Specified voltage and current values refer to network infrastructure and can be limited by the vehicle. Times are from 10-80% charge using a wallbox (three-phase) or standard socket (single-phase)

[Book a test drive](#)[Find your C-Class](#)[Find a Showroom](#)

Technical data Estate

Model		C220 d	C300 d	C200	C300	C300 e
Performance						
Acceleration 0–62 mph	sec	7.6	5.8	7.5	6.0	6.2
Top speed	mph	149	155	149	155	149

Weights and capacities						
Kerb weight ⁶	kg	1,855	1,870	1,765	1,775	2,120
Perm. Gross Vehicle Weight	kg	2,400	2,400	2,325	2,340	2,655
Boot capacity – seats up/seats down	l	490/1,510	490/1,510	490/1,510	490/1,510	360/1,375
Towing capacity – unbraked/braked	kg	750/1,800	750/1,800	750/1,800	750/1,800	750/1,800
Fuel tank capacity/of which reserve	l	66/7	66/7	66/7	66/7	50/7
Turning circle	m	11.07	11.07	11.07	11.07	11.07

Fuel consumption^{7,8,9}						
Combined (consumption dependent on chosen optional equipment)	l/100 km	5.0–4.7	5.4–5.3	6.8–6.5	7.0–6.9	0.6
	mpg	56.5–60.1	52.3–53.3	41.5–43.5	40.4–40.9	470.8

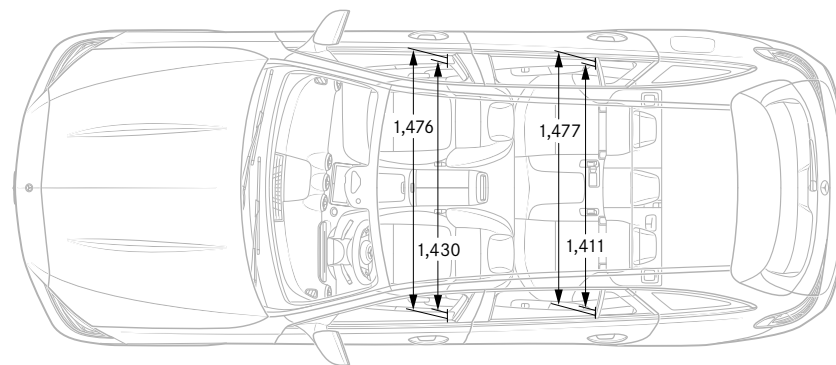
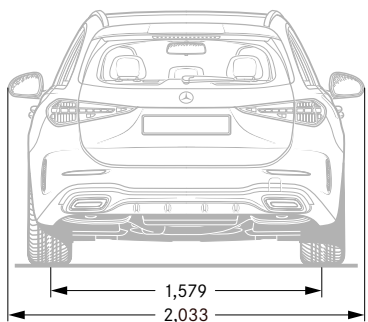
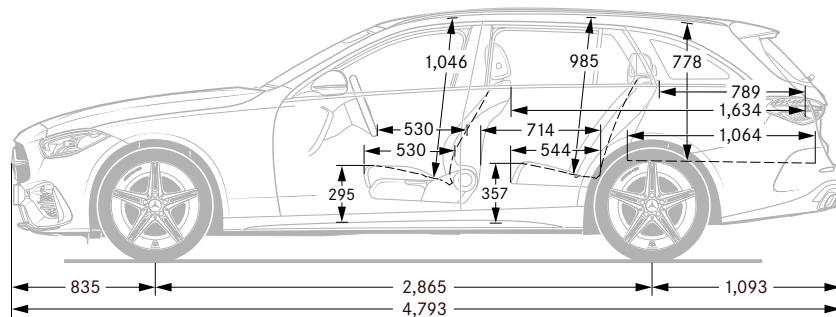
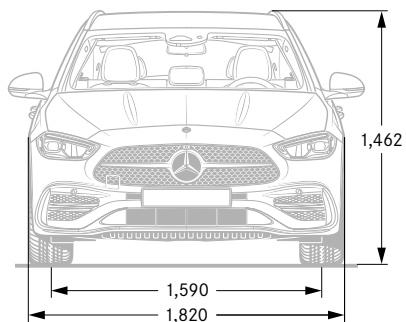
Insurance						
Group rating		35E–38E	39E–41E	33E–37E	37E–41E	45E

Insurance ratings may vary depending on model line and specification.

⁶Mass of the vehicle in running order with at least 90% full fuel tank, plus the mass of the driver (estimated by law at 75 kg), fuel and fluids, equipped with the standard equipment as specified by the manufacturer as well as, where applicable, the mass of the body, cab, trailer coupling and spare wheel(s) as well as tools. Optional extras, additional equipment and accessories can influence the weight, residual payload, rolling resistance, aerodynamics, etc., and therefore also affect the consumption/CO₂ values ⁷All figures are based on a standard specification with the smallest tyre size ⁸The choice of wheels and transmission may affect CO₂ emissions and corresponding Road Fund Licence ⁹The indicated values were determined according to the prescribed measurement method - Worldwide Harmonised Light Vehicle Test Procedure (WLTP). Figures shown may include options which are not available in the UK

[Book a test drive](#)[Find your C-Class](#)[Find a Showroom](#)

Mercedes-Benz C-Class Estate models



All measurements in millimetres. The dimensions shown are mean values and apply to standard-specification, unladen vehicles

Design	Technology	Plug-in Hybrid	Model lines	Upholstery	Model prices	Mercedes-AMG	Mercedes-AMG upholstery	Mercedes-AMG prices	Personalisation	Standard equipment	Genuine accessories	Technical data	Additional information
--------	------------	----------------	-------------	------------	--------------	--------------	-------------------------	---------------------	-----------------	--------------------	---------------------	----------------	------------------------

[Book a test drive](#)[Find your C-Class](#)[Find a Showroom](#)

Technical data Mercedes-AMG – Saloon and Estate

- Standard

Model	Mercedes-AMG C 43 4MATIC – Saloon		Mercedes-AMG C 43 4MATIC – Estate		Mercedes-AMG C 63 S e 4MATIC+ – Saloon		Mercedes-AMG C 63 S e 4MATIC+ – Estate	
Engine								
Fuel delivery	Petrol		Petrol		Petrol		Petrol	
Total displacement	cc	1,991	1,991	1,991	1,991	1,991	1,991	1,991
Arrangement/cylinders/valves	in-line/4/16		in-line/4/16		in-line/4/16		in-line/4/16	
Power ¹	hp (kW) at rpm							
Combustion engine		421 (310)/6,750	421 (310)/6,750	421 (310)/6,750	476 (350)/6,750	476 (350)/6,750	476 (350)/6,750	476 (350)/6,750
Mild hybrid drive		14 (10)	14 (10)	14 (10)	-	-	-	-
Electric motor		-	-	-	204 (150)/500-4,500	204 (150)/500-4,500	204 (150)/500-4,500	204 (150)/500-4,500
System output		-	-	-	680 (500)	680 (500)	680 (500)	680 (500)
Torque ¹	Nm at rpm							
Combustion engine		500/5,000	500/5,000	500/5,000	545/5,250-5,500	545/5,250-5,500	545/5,250-5,500	545/5,250-5,500
Electric motor		-	-	-	320	320	320	320
System output		-	-	-	1,020	1,020	1,020	1,020
Compression ratio		10.0:1	10.0:1	10.0:1	9.0:1	9.0:1	9.0:1	9.0:1
Equivalent All-Electric Range (EAER) ²	mi	-	-	-	up to 9 miles	up to 9 miles	up to 9 miles	up to 9 miles
Battery type (usable)	kWh	-	-	-	Lithium-ion/4.8	Lithium-ion/4.8	Lithium-ion/4.8	Lithium-ion/4.8
Range power consumption, combined ^{2,3}	wh/100 km	-	-	-	430	430	430	430
Charging time								
Wallbox (3.7 kW AC) 25-80% ⁴		-	-	-	1hr 40 mins	1hr 40 mins	1hr 40 mins	1hr 40 mins
Capacity on-board charger	kW	-	-	-	3.7 AC	3.7 AC	3.7 AC	3.7 AC
Emissions standard		Euro 6e	Euro 6e	Euro 6e	Euro 6e	Euro 6e	Euro 6e	Euro 6e

Transmission	Mercedes-AMG C 43 4MATIC – Saloon		Mercedes-AMG C 43 4MATIC – Estate		Mercedes-AMG C 63 S e 4MATIC+ – Saloon		Mercedes-AMG C 63 S e 4MATIC+ – Estate	
9G-TRONIC PLUS 9-speed automatic	●		●		●		●	

¹Figures according to Directive 80/1269/EEC in the currently applicable version ²The indicated values were determined according to the prescribed measurement method - Worldwide Harmonised Light Vehicle Test Procedure (WLTP). Figures shown may include options which are not available in the UK. For Plug-in Hybrid Electric Vehicle (PHEV) figures determined with the battery fully charged, using a combination of both battery power and fuel. These models require mains electricity for charging ³The certified electrical consumption is generally determined at maximum AC charging capacity using a Mode 3 cable. It is therefore recommended that vehicles with a HV battery preferably be charged at a wallbox or an AC charging station with a Mode 3 cable in order to achieve shorter charging times and improved charging efficiency ⁴Specified voltage and current values refer to network infrastructure and can be limited by the vehicle. Times are from 25-80% charge using a wallbox (three-phase) or standard socket (single-phase)



Technical data Mercedes-AMG – Saloon and Estate

Model		Mercedes-AMG C 43 4MATIC – Saloon	Mercedes-AMG C 43 4MATIC – Estate	Mercedes-AMG C 63 S e 4MATIC+ – Saloon	Mercedes-AMG C 63 S e 4MATIC+ – Estate
Performance					
Acceleration 0–62 mph	sec	4.3	4.4	3.4	3.4
Top speed	mph	155	155	174	168

Weights and capacities					
Kerb weight ⁵	kg	1,810	1,885	2,165	2,190
Perm. Gross Vehicle Weight	kg	2,350	2,400	2,650	2,675
Boot capacity – seats up/seats down	l	455/tba	490/1,510	280/tba	320/1,335
Towing capacity – unbraked/braked	kg	750/1,800	750/1,800	750/1,800	750/1,800
Fuel tank capacity/of which reserve	l	66/7	66/7	60/10	60/10
Turning circle	m	11.98	11.98	12.11	12.11

Fuel consumption^{6,7,8}					
Combined (consumption dependent on chosen optional equipment)	l/100 km	9.2	9.5-9.3	10.5	10.5
	mpg	30.7	29.7-30.4	26.9	26.9

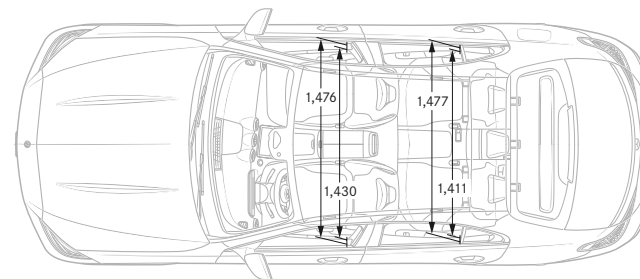
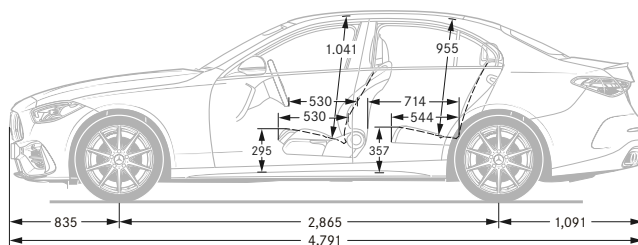
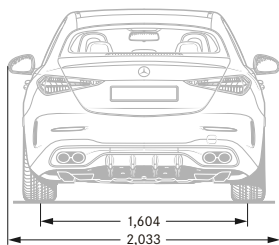
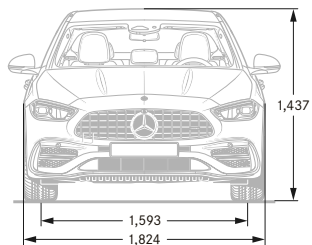
Insurance					
Group rating		44E	44E	50E	50E

Insurance ratings may vary depending on model line and specification.

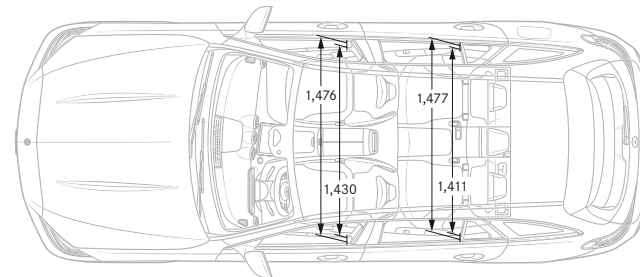
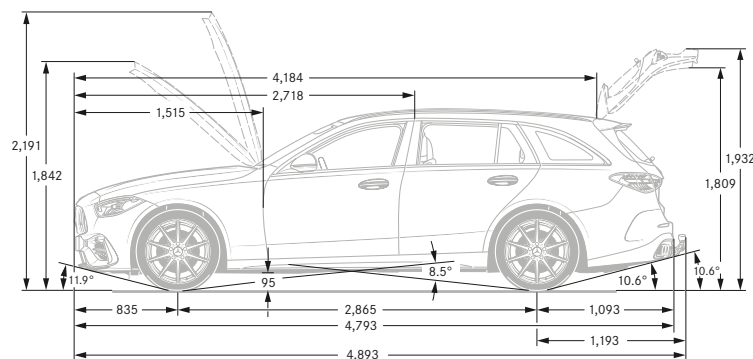
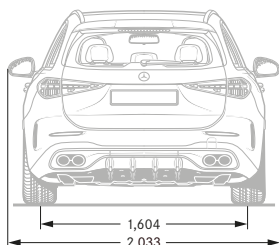
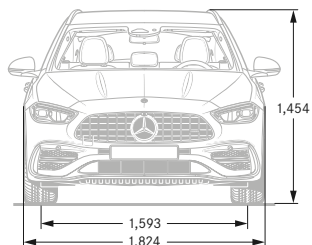
⁵Mass of the vehicle in running order with at least 90% full fuel tank, plus the mass of the driver (estimated by law at 75 kg), fuel and fluids, equipped with the standard equipment as specified by the manufacturer as well as, where applicable, the mass of the body, cab, trailer coupling and spare wheel(s) as well as tools. Optional extras, additional equipment and accessories can influence the weight, residual payload, rolling resistance, aerodynamics, etc., and therefore also affect the consumption/CO₂ values ⁶All figures are based on a standard specification with the smallest tyre size ⁷The choice of wheels and transmission may affect CO₂ emissions and corresponding Road Fund Licence ⁸The indicated values were determined according to the prescribed measurement method - Worldwide Harmonised Light Vehicle Test Procedure (WLTP). Figures shown may include options which are not available in the UK

[Book a test drive](#)[Find your C-Class](#)[Find a Showroom](#)

Mercedes-AMG C 43 4MATIC – Saloon



Mercedes-AMG C 43 4MATIC – Estate

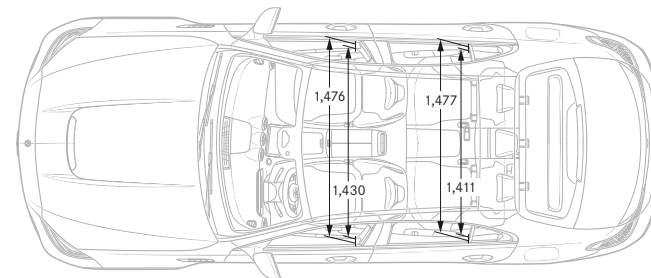
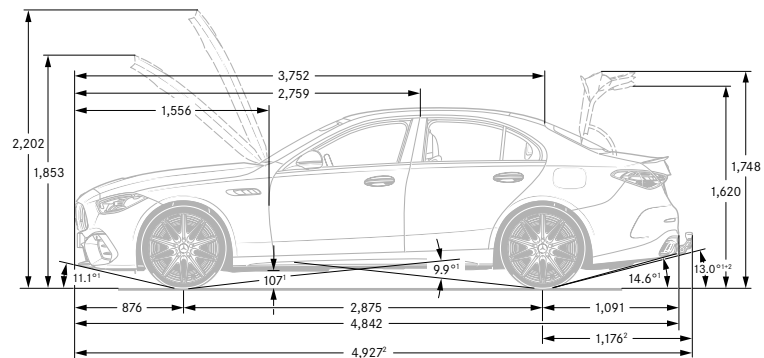
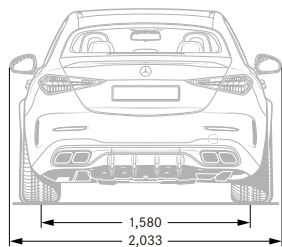
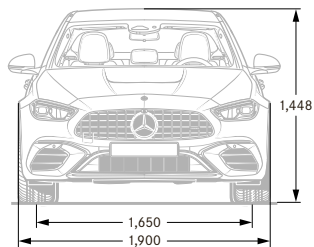


All measurements in millimetres. The dimensions shown are mean values and apply to standard-specification, unladen vehicles

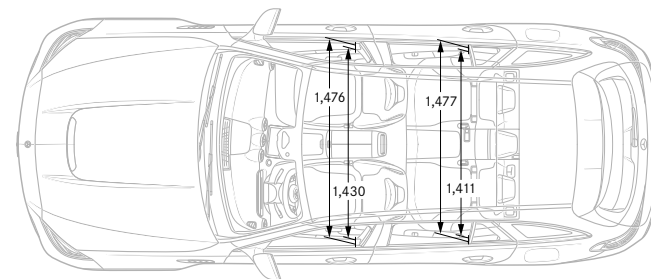
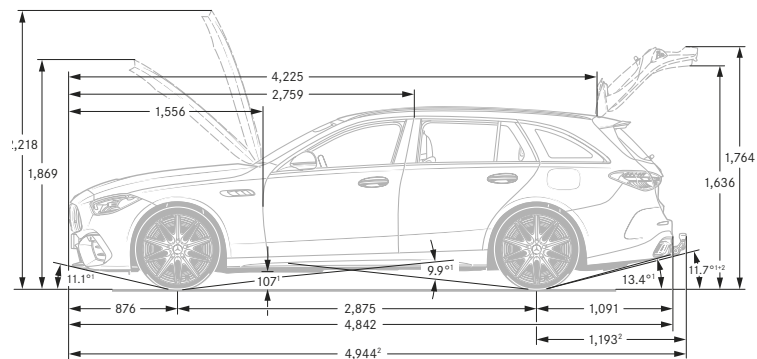
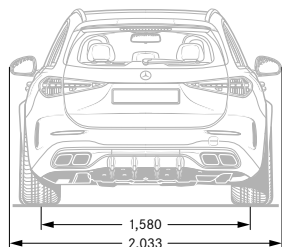
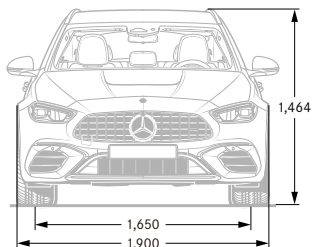
Design	Technology	Plug-in Hybrid	Model lines	Upholstery	Model prices	Mercedes-AMG	Mercedes-AMG upholstery	Mercedes-AMG prices	Personalisation	Standard equipment	Genuine accessories	Technical data	Additional information
--------	------------	----------------	-------------	------------	--------------	--------------	-------------------------	---------------------	-----------------	--------------------	---------------------	----------------	------------------------

[Book a test drive](#)[Find your C-Class](#)[Find a Showroom](#)

Mercedes-AMG C 63 S e 4MATIC+ - Saloon



Mercedes-AMG C 63 S e 4MATIC+ - Estate



All measurements in millimetres. The dimensions shown are mean values and apply to standard-specification, unladen vehicles

Design	Technology	Plug-in Hybrid	Model lines	Upholstery	Model prices	Mercedes-AMG	Mercedes-AMG upholstery	Mercedes-AMG prices	Personalisation	Standard equipment	Genuine accessories	Technical data	Additional information
--------	------------	----------------	-------------	------------	--------------	--------------	-------------------------	---------------------	-----------------	--------------------	---------------------	----------------	------------------------

[Book a test drive](#)[Find your C-Class](#)[Find a Showroom](#)

Electric range and consumption

Model - Saloon	Energy Consumption - combined (Wh/km) ¹	EAER City - electric range (km) ¹	EAER City - electric range (miles) ¹
C 300 e Urban Edition	193	112	69
C 300 e AMG Line	194	112	69
C 300 e AMG Line Premium	197	110	68
C 300 e AMG Line Premium Plus	198	109	68
C 300 e AMG Line Premium Plus + Driving Assistance package Plus	199	109	68
All Mercedes-AMG C 63 S e 4MATIC+ variants	430	14	9
Model - Estate			
C 300 e Urban Edition	202	108	67
C 300 e AMG Line Premium	204	107	66
C 300 e AMG Line Premium Plus	204	107	66
C 300 e AMG Line Premium Plus + Driving Assistance package Plus	205	107	66
C 300 e AMG Line Premium Plus + Trailer coupling	206	106	65
C 300 e AMG Line Premium Plus + Driving Assistance package Plus + Trailer coupling	206	106	65
All Mercedes-AMG C 63 S e 4MATIC+ variants	430	14	9

¹Figures shown are for comparability purposes; only compare with other cars tested to the same technical procedures. Figures may not reflect real life driving results, which will depend upon a number of factors including the starting charge of the battery, factory-fitted options, accessories fitted (post registration), variations in weather, driving styles and vehicle load. Further information about the test used to establish range, power consumption and CO₂ figures can be found at <http://www.mercedes-benz.co.uk/WLTP>

Road Fund Licence

All road vehicle registrations are subject to Vehicle Excise Duty (Road Fund Licence), which varies in accordance with the vehicle's CO₂ emissions. A first year rate for each taxation band will apply. The table below shows the bands (A-M) created by the DVLA and the corresponding Road Fund Licence. CO₂ emissions and the relevant Excise Duty are shown on the model pricing pages.

VED applicable for registrations up to 31 March 2025

Band	CO ₂ emissions (g/km)	First year rate petrol and RDE2 diesel (£)	First year rate alternative fuel (£)	Electric vehicles		Alternative fuel vehicles		Petrol/diesel vehicles	
				Standard rate (£)	Premium rate (£) ¹	Standard rate (£)	Premium rate (£) ¹	Standard rate (£)	Premium rate (£) ¹
A	0	0.00	0.00	0.00	0.00	0.00	0.00	0.00	0.00
B	1 to 50	10.00	0.00	0.00	0.00	180.00	590.00	190.00	600.00
C	51 to 75	30.00	20.00	0.00	0.00	180.00	590.00	190.00	600.00
D	76 to 90	135.00	125.00	0.00	0.00	180.00	590.00	190.00	600.00
E	91 to 100	175.00	165.00	0.00	0.00	180.00	590.00	190.00	600.00
F	101 to 110	195.00	185.00	0.00	0.00	180.00	590.00	190.00	600.00
G	111 to 130	220.00	210.00	0.00	0.00	180.00	590.00	190.00	600.00
H	131 to 150	270.00	260.00	0.00	0.00	180.00	590.00	190.00	600.00
I	151 to 170	680.00	670.00	0.00	0.00	180.00	590.00	190.00	600.00
J	171 to 190	1,095.00	1,085.00	0.00	0.00	180.00	590.00	190.00	600.00
K	191 to 225	1,650.00	1,640.00	0.00	0.00	180.00	590.00	190.00	600.00
L	226 to 255	2,340.00	2,330.00	0.00	0.00	180.00	590.00	190.00	600.00
M	over 255	2,745.00	2,735.00	0.00	0.00	180.00	590.00	190.00	600.00



Some of the model features, optional extras and colours shown may not be available, or may only be available in a different specification, or at a different price
¹Premium rate only applicable to vehicles where the list price is over £40,000 including any factory-fitted options, standard UK delivery charge and VAT

Services and insurance

Mercedes-Benz Service Plans

We believe that servicing and repair costs should be as flexible and affordable as possible for your C-Class, which is why we offer a choice of Service Plans to make it easy to budget for all your servicing, MOT and repair costs. It spreads your bills into manageable monthly payments based on whether you have a new or used Mercedes-Benz.

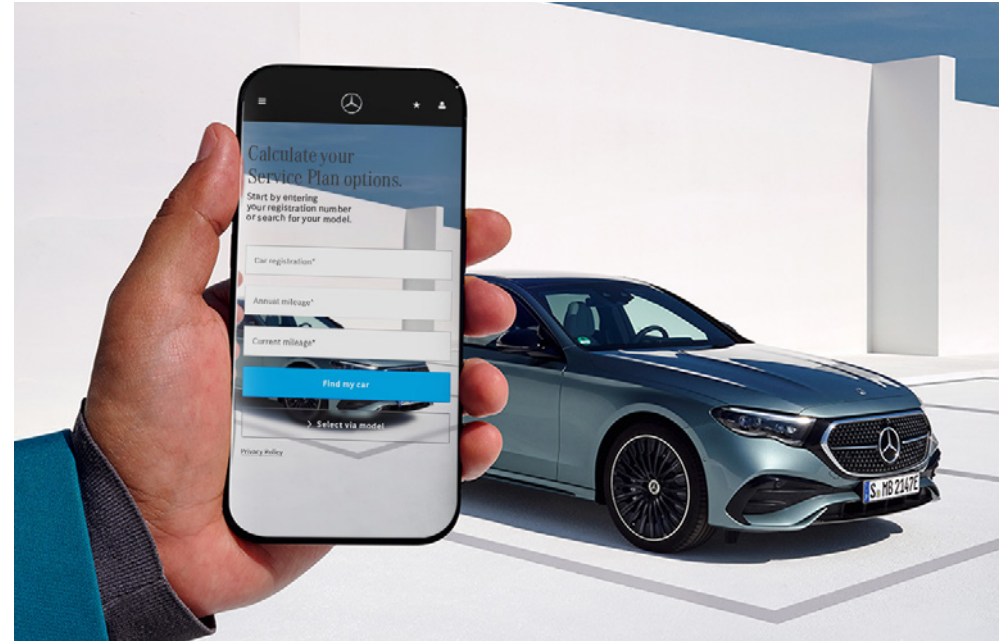
- **ServiceCare** – guarantees the price of parts and labour for up to four services and safeguards against any inflationary influences. It also covers your annual MOT fees depending on the age of your vehicle when you take your plan out.
- **CompleteCare** – our most comprehensive plan covering all your servicing, MOT, wear & tear needs as well as Extended Warranty once your vehicle turns four years old.
- **Extended Warranty** – protect yourself against sudden or unexpected repair costs after your initial warranty period has ended after three years. There are three policy options to choose from: 12-month, 24-month or a monthly pay-as-you-go option.

[Click here for more information](#)

Motor Insurance

We know that once you have chosen your Mercedes-Benz you can't wait to drive it – that's why we created First Cover¹. It gives you 5 days' free comprehensive Motor Insurance when you buy a new or used vehicle from a Mercedes-Benz Agent. We will also send you a quote for annual cover, so you can enjoy the same peace of mind all year round.

[Apply for First Cover](#)



Warranty and breakdown cover

Every Mercedes-Benz comes with a three-year unlimited mileage warranty against manufacturing or material defects² and up to 30 years warranty against perforation due to corrosion from the inside out.³ What's more, it's also covered by Mercedes-Benz Roadside Assistance – a unique package comprising up to 30 years pan-European breakdown assistance.³

¹Terms and Conditions apply. We are an independent intermediary dealing with selected insurers in respect of annual insurance

²Applies to vehicles sold by Mercedes-Benz in the UK to its franchised Mercedes-Benz Agents

³Subject to full Terms and Conditions, dependent on date of registration, available upon request



Effective from December 2024 Production. Information correct at time of publication 08.10.2024.

Prices and specifications are subject to change without prior notice.

MBWS206PL/0225 MY805.5

