



AMG



MERCEDES-AMG GT

4-DOOR COUPÉ

Effective from March 2024 Production.



Some of the model features, optional extras and colours shown may not be available, or may only be available in a different specification, or at a different price.

| | | | | | | | | | |
|------------------------|----------------------------|--------------------------------|-----------------------------|------------------------------------|------------------------------|---------------------------------|------------------------------------|--------------------------------|--|
| Design | Technology | Plug-in Hybrid | Model lines | Driving experience | Model prices | Personalisation | Standard equipment | Technical data | Additional information |
|------------------------|----------------------------|--------------------------------|-----------------------------|------------------------------------|------------------------------|---------------------------------|------------------------------------|--------------------------------|--|



Some of the model features, optional extras and colours shown may not be available, or may only be available in a different specification, or at a different price.

| | | | | | | | | | |
|--------|------------|----------------|-------------|--------------------|--------------|-----------------|--------------------|----------------|------------------------|
| Design | Technology | Plug-in Hybrid | Model lines | Driving experience | Model prices | Personalisation | Standard equipment | Technical data | Additional information |
|--------|------------|----------------|-------------|--------------------|--------------|-----------------|--------------------|----------------|------------------------|



Some of the model features, optional extras and colours shown may not be available, or may only be available in a different specification, or at a different price.

| | | | | | | | | | |
|------------------------|----------------------------|--------------------------------|-----------------------------|------------------------------------|------------------------------|---------------------------------|------------------------------------|--------------------------------|--|
| Design | Technology | Plug-in Hybrid | Model lines | Driving experience | Model prices | Personalisation | Standard equipment | Technical data | Additional information |
|------------------------|----------------------------|--------------------------------|-----------------------------|------------------------------------|------------------------------|---------------------------------|------------------------------------|--------------------------------|--|



Mercedes-AMG GT

TECHNOLOGY

MERCEDES-BENZ USER EXPERIENCE (MBUX)

Transforming the in-car user experience, thanks to MBUX: Controlled via voice or touch input, the innovative infotainment system can over time even predict personal habits thanks to artificial intelligence.

Voice control

- Activated by the keywords “Hey Mercedes”, the new intelligent voice control LINGUATRONIC¹ lets you control many of the infotainment functions, including destination input, phone calls or music selection
- MBUX is able to understand different accents and will adjust to you over time
- MBUX even understands indirect commands. Feeling chilly? Just say “I feel cold” and MBUX will adjust the temperature for you

Touch inputs

- Beside voice control you can operate MBUX via touchscreen, the touchpad on the centre console, as well as touch control buttons on the steering wheel
- The touchpad recognises your handwriting should you wish to enter addresses or phone numbers silently

Personalisation

- Turn the new Mercedes-AMG GT into your very own Mercedes-Benz by personalising driving modes, radio stations and much more
- Your personal settings can be saved in up to seven different profiles, making your driving experience the best one possible
- Thanks to artificial intelligence, MBUX is able to learn and adapt over time. It will be able to predict your personal habits, such as navigation for frequently-driven routes, or the radio station you like to listen to on your way home from work

Maintenance and service

- Wondering when the next service is due? Or how much further you can drive until you need to stop at a petrol station? Just ask your MBUX – it will tell you the answer



¹LINGUATRONIC off-board functions are currently only available for three years
The connection of the communication module to the mobile phone network including the emergency call system depends on the respective network coverage and availability of network providers

MERCEDES ME CONNECT Stay connected any time, anywhere.

Mercedes *me*

Mercedes me is a range of innovative online services designed to enhance your Mercedes-Benz experience. Accessible via mobile, tablet or PC, Mercedes me lets you enjoy the highest standards of care and support, in a way that integrates seamlessly with your busy lifestyle.

Safety and Service - Mercedes me connect helps to keep you and your car safe

Check your car's oil level, tyre pressure and fuel from your phone so you'll be ready for every journey.

Infotainment - Online and Entertainment services from Mercedes me connect

Love music? Get a 3-month free subscription to Tidal when you connect your car.

Comfort - connect to your car anytime, anywhere

Forgot to lock your car? With Remote Car Lock² you will receive a notification on your smartphone to let you know. With one tap, you can lock and unlock your vehicle so you never have to worry.

Live Traffic Information, Parked Vehicle Locator and much more with Mercedes me connect

Forgot where you've parked? Parked Vehicle Locator¹ will show you exactly where your car is as long as you're in a 1-mile radius of where you parked. Real-time traffic data and dynamic route with shorter journey times.

For more information speak to your local Mercedes-Benz Agent or visit the Parked vehicle locator store at shop.mercedes-benz.com/en-gb/connect

The connection of the communication module to the mobile phone network including the emergency call system depends on the respective network coverage and availability of network providers



Mercedes-AMG GT

PLUG-IN HYBRID

[Book a test drive](#)[Find your Mercedes-AMG GT](#)[Find a Showroom](#)

PLUG-IN HYBRID ELECTRIC VEHICLE (PHEV) The Mercedes-AMG GT 63 S E Performance.

Plug-in hybrid vehicles enjoy the same functionality of full Hybrid technology, with the added benefit that they can be charged from an external electricity source.

Mercedes-AMG GT 63 S E Performance
Petrol – 3,982 cc, 8-cylinder, 639 hp/470 kW
Electric motor – 204 hp/150 kW

OTR from **£179,325¹**



Standard equipment

- 150 kW electric motor for all-electric driving for up to 7 miles
- Battery with a capacity of 6 kWh and high-performance cooling that tolerates high charging and discharging currents
- Charging cable – Mode 2 cable (5 metres, straight) for domestic socket
- Charging cable – Mode 3 cable (8 metres, straight) for wallbox and public charging station
- Charging socket
- Charging system rated at 3.7 kW AC
- Pre-entry climate control²
- Radar-based recuperation
- Remote and Charging Services Premium²

Technical details

| | |
|---|---------------------|
| Equivalent All-Electric Range (EAER) ³ | 7 miles |
| Charging time | |
| Wallbox (3.7 kW AC, 3-phase) 25–100% ⁴ | 1 hr 30 mins |
| Domestic socket (1.8 kW) 25–100% ⁴ | 2 hrs 45 mins |
| Electric range consumption, combined ^{3,5} | 364 kWh/km |
| Battery type (capacity) | lithium-ion (6 kWh) |
| Capacity on-board charger | 3.7 kW AC |

¹The recommended on-the-road price includes the Road Fund Licence applicable to the standard model plus delivery charge (£730.00 incl. VAT), new vehicle registration fee (£55.00), fuel (£50.00 incl. VAT), and number plates (£25.00 incl. VAT). VAT is calculated at the standard rate of 20%. Some of the model features, optional extras and colours shown may not be available, or may only be available in a different specification, or at a different price. ²The connection of the communication module to the mobile phone network including the emergency call system depends on the respective network coverage and availability of network providers. ³The indicated values were determined according to the prescribed measurement method - Worldwide Harmonised Light Vehicle Test Procedure (WLTP). Figures shown may include options which are not available in the UK. For Plug-in Hybrid Electric Vehicle (PHEV) figures determined with the battery fully charged, using a combination of both battery power and fuel. These models require mains electricity for charging. ⁴Specified voltage and current values refer to network infrastructure and can be limited by the vehicle. Times are from 25–100% charge using a wallbox (three-phase) or standard socket (single-phase). ⁵The certified electrical consumption is generally determined at maximum AC charging capacity using a Mode 3 cable. It is therefore recommended that vehicles with a HV battery preferably be charged at a wallbox or an AC charging station with a Mode 3 cable in order to achieve shorter charging times and improved charging efficiency.

MERCEDES ME CHARGE¹ One registration, one contract, one billing.

Mercedes me Charge¹ provides access to a multitude of public charging stations located in shopping centres, hotels or at motorway services. A smartphone app as well as the vehicle's navigation system show the precise location, current availability and price at the selected charging station.



Mercedes *me*

Tens of thousands charging stations in the UK

Growing network of charging providers includes bp pulse the largest charging network in the UK. Customers also get six months free bp pulse+ membership which reduces the electricity price when charging.

Access to fast-charging stations

Enables customers to get access to charging stations of different providers with:

- Mercedes me app
- RFID card
- Mercedes-EQ Vehicle Head unit

Green charging

All charging using Mercedes me Charge¹, will be retrospectively 'greened' by Mercedes-Benz. Please click here for more info.

Transparent and easy billing

One invoice charging processes for payment.

Easy access

Charging stations are displayed in Mercedes me app and in MBUX multimedia system.

No fees

Mercedes me Charge¹ is standard for one year with discounted IONITY rapid-charging for one year.

¹The connection of the communication module to the mobile phone network including the emergency call system depends on the respective network coverage and availability of network providers

[Book a test drive](#)[Find your Mercedes-AMG GT](#)[Find a Showroom](#)

MERCEDES ME CHARGE¹ Tariffs

Mercedes me

For more transparency and predictability, enjoy numerous features tailored to your charging habits with the new Mercedes me Charge¹ fixed-priced tariffs S, M and L. Owners of a new Plug-in Hybrid model will be entitled to the Mercedes me Charge¹ tariff M free of charge for the duration of 12 months.



Tariff L

Recommended for 'frequent drivers'

Choose our tariff L to benefit from the best fixed prices for public charging, including discounted rapid-charging at IONITY charging stations as well as all Mercedes me Charge¹ features. This tariff is recommended for frequent and long-distance drivers.

Consisting of:

- All Mercedes me Charge¹ features
- Fixed prices per kWh (AC: £0.45/kWh; DC: £0.53/kWh)²
- IONITY rapid-charging stations discounted (£0.53/kWh)

£10.90/month

Tariff M

Recommended for 'regular drivers'

Should you wish to downgrade your tariff package after 12 months but still want to benefit from fixed prices, discounted rapid-charging at IONITY charging stations and complete transparency, choose tariff M. This tariff is recommended for regular drivers.

Consisting of:

- All Mercedes me Charge¹ features
- Fixed prices per kWh (AC: £0.52/kWh; DC: £0.61/kWh)²
- IONITY rapid-charging stations discounted (£0.61/kWh)

Free of charge for the duration of 12 months.

Thereafter:

£4.90/month

Tariff S

Recommended for 'casual drivers'

Should you wish to downgrade your tariff package after 12 months, there is the option to go for tariff S, which still offers you all the Mercedes me Charge¹ features based on flexible prices per kWh. This tariff is recommended for casual drivers.

Consisting of:

- All Mercedes me Charge¹ features
- Flexible prices per kWh

£0/month

¹The connection of the communication module to the mobile phone network including the emergency call system depends on the respective network coverage and availability of network providers
page: <https://eu.charge.mercedes.me/web/en/daimler-gb/tariffs>

²Tariff rate excludes the BP Pulse charging network

Price information is not guaranteed and is subject to change. Definitive price information can be found on the Digital Charging Solutions

NEXT GENERATION OF HOME EV CHARGING WITH OHME



Mercedes-Benz plug-in vehicle customers with off-street parking can benefit from the convenience and speed of charging at home by installing an Ohme charger.

Home charging with Ohme: from £925* incl. VAT and standard installation

Key benefits of Ohme:

Ohme specialise in providing future-proof electric vehicle charging solutions, in particular smart, affordable and easy-to-use charging products.

Save money: If you have a time-of-use tariff or a variable tariff, you'll pay less for your electricity at certain times of the day. Ohme uses your tariff information to charge your vehicle when the price is low to maximise your savings.

Ohme is the only EV charging provider to integrate with all energy tariffs, including Intelligent Octopus and OVO Charge Anytime – the next generation, smart EV charging tariffs.

Easy installation process.

Choice of tethered or untethered units.

Award-winning customer service – check Trustpilot for more information.

A 3-year warranty is included.

Connect your charger to the Ohme smartphone app to unlock smarter and cheaper charging at home. Easy-to-use, the Ohme app will give you full control to get more from your EV.

Ohme's chargers are compliant with the UK New Smart Charger Regulations for complete peace of mind.

OZEV Grant:

You may be entitled to claim for an OZEV grant towards the cost of your home charger.¹ To find out whether you are entitled please contact your local Mercedes-Benz Agent.

Questions?

Please contact your local Mercedes-Benz Agent to submit an enquiry to your chosen charging partner on your behalf. To find your local Mercedes-Benz Agent, please click the button at the top right hand corner.

Warning!

If you are planning to charge your Mercedes-Benz plug-in electric vehicle using a 3-pin domestic plug socket you must get a qualified electrician to inspect and sign off the socket to confirm it is safe and suitable to charge your vehicle. Do not use an electric vehicle 3-pin charge cable with an extension cord.



*Price excludes £350 OZEV EVHS Grant. Price correct at time of publication, subject to change

¹The home charger £350 Grant (including VAT) is only available to customers who meet the criteria of the Office for Zero Emission Vehicles (OZEV). For full details and eligibility criteria for the OZEV EVHS Grant, see <https://www.gov.uk/government/publications/electric-vehicle-homecharge-scheme-guidance-for-customers-version-21>.

| | | | | | | | | | |
|--------|------------|----------------|-------------|--------------------|--------------|-----------------|--------------------|----------------|------------------------|
| Design | Technology | Plug-in Hybrid | Model lines | Driving experience | Model prices | Personalisation | Standard equipment | Technical data | Additional information |
|--------|------------|----------------|-------------|--------------------|--------------|-----------------|--------------------|----------------|------------------------|

HOME CHARGING WITH POD POINT Simple, convenient, fast charging.



Mercedes-Benz plug-in vehicle customers with off-street parking can benefit from the convenience and speed of charging at home by installing a Pod Point home charger.

Home charging with Pod Point: from £925* incl. VAT and standard installation

For full terms and conditions please visit <https://pod-point.com/legal/home-charger-terms-of-sale>

Key benefits of Pod Point:

Pod Point is one of the leading provider of EV charging in the UK with over 200,000 home chargepoints installed.

A comprehensive 3 year 'swap out' warranty is included.

Auto Power Balancing lets you adjust your charge so that your electrical supply doesn't get overloaded when your home is using a lot of energy.

Built-in earthing protection removes the needs for expensive earth rods.

Choice of tethered or untethered units; £925 for a 7kW universal, and £975 for 7kW tethered.

The Pod Point public network consists of over 9,200 charging bays across the UK.

5 year warranty as standard, free of charge.

The standard installation package includes up to 15m of external cabling.

Utilise charge scheduling in conjunction with an off-peak EV tariff to reduce your charging costs by 70% compared with the current Energy Price Cap¹

OZEV Grant:

You may be entitled to claim for an OZEV grant towards the cost of your home charger.² To find out whether you are entitled please contact your local Mercedes-Benz Agent.

Questions?

Please contact your local Mercedes-Benz Agent to submit an enquiry to your chosen charging partner on your behalf. To find your local Mercedes-Benz Agent, please click the button at the top right hand corner.

Warning!

If you are planning to charge your Mercedes-Benz plug-in electric vehicle using a 3-pin domestic plug socket you must get a qualified electrician to inspect and sign off the socket to confirm it is safe and suitable to charge your vehicle. Do not use an electric vehicle 3-pin charge cable with an extension cord.



¹Price excludes £350 OZEV EVHS Grant. Price correct at time of publication, subject to change ²Based on an off-peak tariff of 8 p/kWh compared with the energy price cap as of 1 October 2023 of 26.92 p/kWh ³The home charger £350 Grant (including VAT) is only available to customers who meet the criteria of the Office for Zero Emission Vehicles (OZEV). For full details and eligibility criteria for the OZEV EVHS Grant, see <https://www.gov.uk/government/publications/electric-vehicle-homecharge-scheme-guidance-for-customers-version-21>.

| | | | | | | | | | |
|--------|------------|----------------|-------------|--------------------|--------------|-----------------|--------------------|----------------|------------------------|
| Design | Technology | Plug-in Hybrid | Model lines | Driving experience | Model prices | Personalisation | Standard equipment | Technical data | Additional information |
|--------|------------|----------------|-------------|--------------------|--------------|-----------------|--------------------|----------------|------------------------|

AMG HIGH-PERFORMANCE BATTERY Lightweight, durable and compact



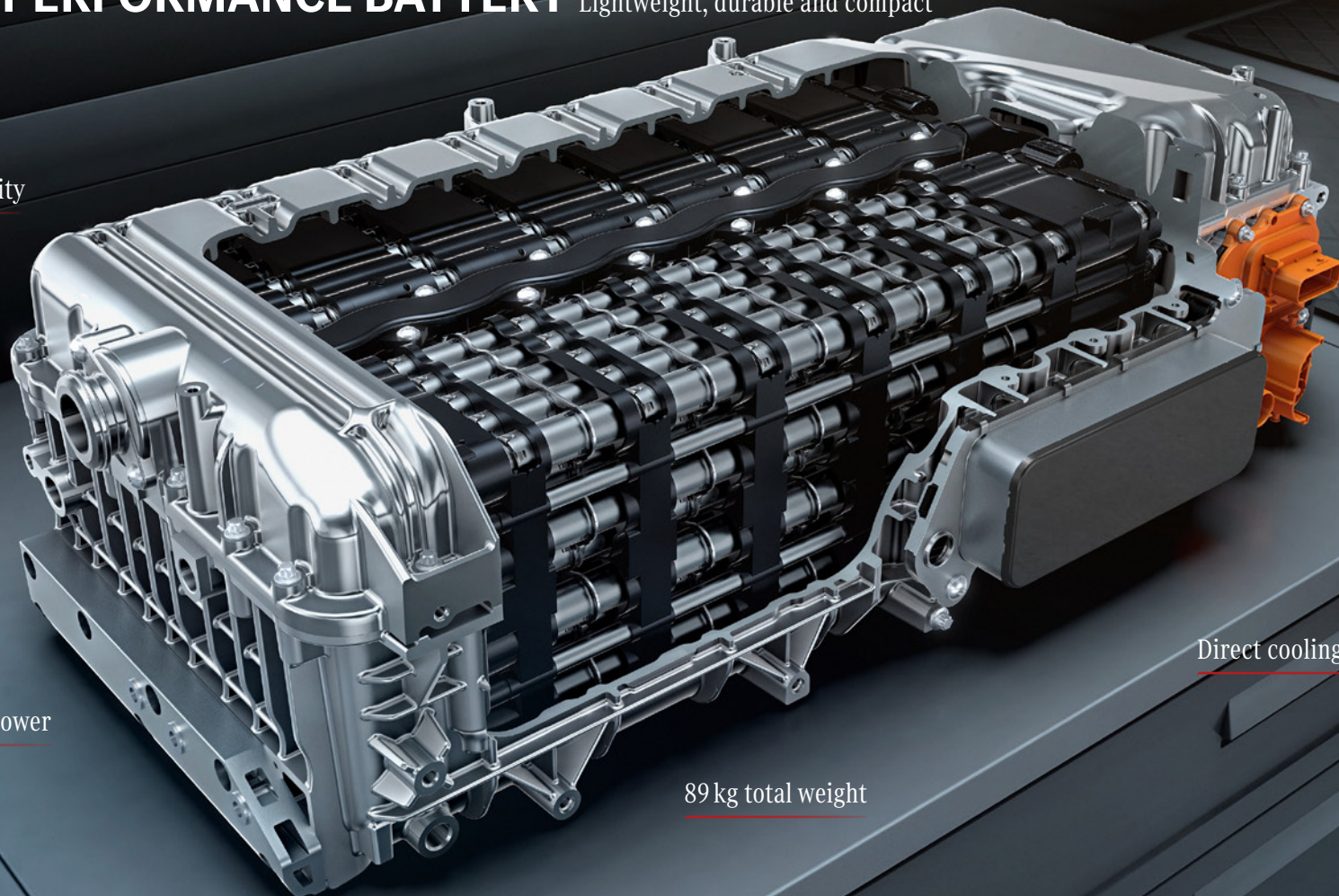
6.0 kWh capacity

150 kW peak power

70 kW continuous power

Direct cooling of battery cells

89 kg total weight



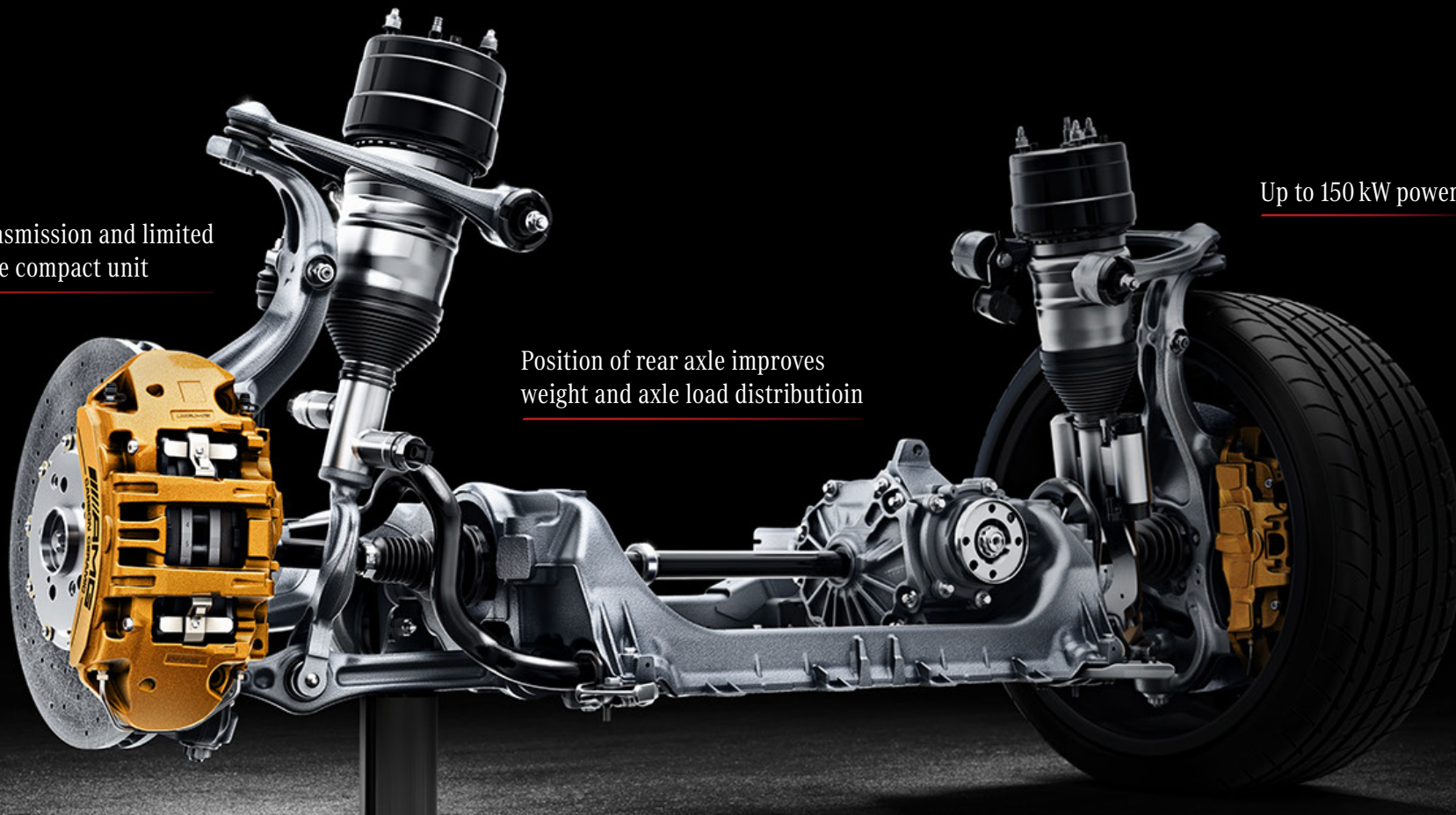
PERFORMANCE HYBRID Compact intergrated unit on the rear axle



E-motor, 2-speed transmission and limited slip differential in one compact unit

Position of rear axle improves weight and axle load distribution

Up to 150 kW power



| | | | | | | | | | |
|--------|------------|----------------|-------------|--------------------|--------------|-----------------|--------------------|----------------|------------------------|
| Design | Technology | Plug-in Hybrid | Model lines | Driving experience | Model prices | Personalisation | Standard equipment | Technical data | Additional information |
|--------|------------|----------------|-------------|--------------------|--------------|-----------------|--------------------|----------------|------------------------|

PERFORMANCE HYBRID

Benefits of the P3 layout



Optimised weight and axle load distribution
for top traction and ideal handling

Optimum efficiency
with recuperation

High efficiency of
the overall drive



2-speed transmission for very agile
driving experience and increased comfort

The electric motor acts directly on the
rear axle and can convert its power more
directly into propulsion

PERFORMANCE HYBRID

Outstanding performance for dynamic optimisation



Electric drive unit with electric motor,
2-speed transmission and rear axle
limited slip differential

Belt driven
starter alternator

AMG High-Performance
Battery

M177 AMG 4.0-litre V8
BITURBO engine with over
600 kW system output

AMG SPEEDSHIFT
MCT transmission

MERCEDES-AMG GT 63 S Model lines overview



[Mercedes-AMG GT 63 S 4MATIC+ Premium Plus »](#)



[Mercedes-AMG GT 63 S E Performance »](#)

MERCEDES-AMG GT 63 S 4MATIC+ PREMIUM PLUS Standard equipment highlights



Option shown: MANUFAKTUR patagonia red bright (code 993U)



21" AMG forged wheels - cross-spoke design, painted matt black with a high-sheen rum flange (code RWE)



21" AMG forged wheels - 5-twin-spoke design, painted tantalite grey with a high-sheen finish (code RW1) (no-cost option)



Option shown: MANUFAKTUR patagonia red bright (code 993U)

Engine, Transmission and Suspension

AMG SPEEDSHIFT MCT 9-speed sports automatic transmission

Exterior

AMG Exterior Night package

AMG high-performance compound brake system

AMG Performance exhaust system, switchable

Brake callipers with 'AMG' lettering painted in yellow

Bonnet with power domes

Extendible rear spoiler

KEYLESS-GO Comfort package

LED tail lights with sequential turn signals

MULTIBEAM LED headlamps with Adaptive Highbeam Assist Plus

Summer tyres

'V8 BITURBO' lettering on both front wings

OTR from £156,415¹

¹The recommended on-the-road price includes the Road Fund Licence applicable to the standard model plus delivery charge (£730.00 incl. VAT), new vehicle registration fee (£55.00), fuel (£50.00 incl. VAT), and number plates (£25.00 incl. VAT). VAT is calculated at the standard rate of 20%. Some of the model features, optional extras and colours shown may not be available, or may only be available in a different specification, or at a different price



Safety and Assistance Systems

- Blind Spot Assist including exit warning function
- Parking package – Active Parking Assist¹ with PARKTRONIC and 360° camera

Communications and In-Car Entertainment

- Burmester® surround sound system
- Head-up display
- Instrument and media display
- MBUX augmented reality for navigation
- MBUX Interior Assistant
- Smartphone integration²

¹Our driver assistance and safety systems are aids and do not relieve you of your responsibility as the driver. Please take note of the information in the Owner's Manual and the system limits which are described therein ²Compatible mobile phone required



Interior

- AMG illuminated door sills with 'AMG' lettering
- AMG instrument cluster
- AMG Performance steering wheel in DINAMICA microfibre, heated
- ENERGIZING package Plus

- Floor mats – AMG floor mats with 'AMG' lettering
- Memory package
- Seats – 3-seater rear bench
- Seats – Active Multicontour Seat package

- Seats – AMG sports seats with embossed AMG emblem in the head restraints
- Seats – climatized front seats
- Seats – heated rear
- THERMOTRONIC automatic 3-zone climate control

Trim and Upholstery

- AMG carbon fibre
- Nappa leather – black



MERCEDES-AMG GT 63 S E PERFORMANCE Standard equipment highlights



Option shown: high-tech silver metallic (code 922U)

OTR from **£179,325¹**

In addition to/replacement of Mercedes-AMG GT 63 S 4MATIC+ Premium Plus:

Engine, Transmission and Suspension

150 kW electric motor for all-electric driving for up to 7 miles

Battery with a capacity of 6 kWh and high-performance cooling that tolerates high charging and discharging currents

Exterior

AMG ceramic high-performance composite brake system

Brake callipers with "AMG Carbon Ceramic" lettering painted in bronze

Charging cable – Mode 2 cable (5 metres, straight) for domestic socket

Charging cable – Mode 3 cable (8 metres, straight) for wallbox and public charging station

Summer tyres



Option shown: high-tech silver metallic (code 922U)



21" AMG forged wheels - cross-spoke design, painted matt black with a high-sheen rum flange (code RWE)



21" AMG forged wheels - 5-twin-spoke design, painted tantalite grey with a high-sheen finish (code RW1) (no-cost option)

¹The recommended on-the-road price includes the Road Fund Licence applicable to the standard model plus delivery charge (£730.00 incl. VAT), new vehicle registration fee (£55.00), fuel (£50.00 incl. VAT), and number plates (£25.00 incl. VAT). VAT is calculated at the standard rate of 20%. Some of the model features, optional extras and colours shown may not be available, or may only be available in a different specification, or at a different price

| Design | Technology | Plug-in Hybrid | Model lines | Driving experience | Model prices | Personalisation | Standard equipment | Technical data | Additional information |
|--------|------------|----------------|-------------|--------------------|--------------|-----------------|--------------------|----------------|------------------------|
|--------|------------|----------------|-------------|--------------------|--------------|-----------------|--------------------|----------------|------------------------|



Interior

Seats - two individual seats and stowage compartment in the rear

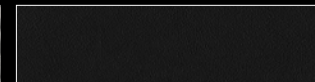


Trim and Upholstery

AMG carbon fibre



Nappa leather - black



BECOME THE AMG EXPERT

Unleash a new level of performance.

Step into the world of performance and experience the AMG brand at Mercedes-Benz World – from the powerful sound of the engines to the smell of the leather to the unmistakable design of our vehicles.

Mercedes-Benz World invites all Mercedes-AMG customers to a complimentary adrenaline-packed driving experience. Feel the sensational AMG driving performance, develop your driving skills and even try your hand at power-sliding on the Wet Skid Circle. With expert one-to-one guidance from a Driving Specialist in the passenger seat, experience every inch of our Handling Circuits, Dynamic Straight and low friction surfaces.

[Click here for more information](#)

TERMS AND CONDITIONS

The following customers only are eligible: The first purchaser/registered keeper of a newly registered Mercedes-AMG. The complimentary training must be booked and taken within 12 months of email receipt. The training is available Monday – Friday only (excluding bank holidays) and subject to availability. Upgrades are available for an additional cost, details upon request. Transferable to individuals who reside at the same postal address only. Mercedes-Benz UK Limited reserves the right to amend or withdraw this training experience. Attendees must hold a full UK driving licence. Attendees will be required to sign the Mercedes-Benz World Driving Risk Acknowledgement prior to undertaking the training experience.

The training experience is also subject to the Mercedes-Benz World Terms and Conditions, as applicable. Retailer demonstrator vehicles are not eligible.



AMG

MODEL PRICES



| Model line | Engine | Transmission | CO ₂ WLTP ^{1*} | Basic RRP excl. VAT (£) | Total RRP incl. VAT (£) | Road Fund Licence (£) ² WLTP | Rec. OTR price (£) ³ WLTP | P11D value (£) | BiK tax rate 2023/24 (%) ² |
|---|--|--|------------------------------------|-------------------------|-------------------------|---|--------------------------------------|----------------|---------------------------------------|
| Mercedes-AMG GT 63 S 4MATIC+ Premium Plus | Petrol – 3,982 cc, 8-cylinder, 639 hp/470 kW | AMG SPEEDSHIFT MCT 9-speed sports transmission | 298 | 127,458.33 | 152,950.00 | 2,605.00 | 156,415.00 | 153,755.00 | 37 |
| Mercedes-AMG GT 63 S E Performance | Petrol – 3,982 cc, 8-cylinder, 639 hp/470 kW Electric motor – 204 hp/150 kW | AMG SPEEDSHIFT MCT 9-speed sports transmission | 198 | 147,425.00 | 176,910.00 | 1,555.00 | 179,325.00 | 177,715.00 | 37 |

¹The indicated values were determined according to the prescribed measurement method - Worldwide Harmonised Light Vehicle Test Procedure (WLTP). Figures shown may include options which are not available in the UK which will depend upon a number of factors including factory-fitted options, accessories fitted (post registration), variations in weather, driving styles and vehicle load. Further information about the test used to establish fuel consumption and CO₂ figures can be found at <http://www.mercedes-benz.co.uk/WLTP> ²Figures shown are for comparability purposes; only compare with other cars tested to the same technical procedures. Figures may not reflect real life driving results, new cars. Please refer to page 42 for the relevant rate for the second and subsequent years ³The recommended on-the-road price includes the Road Fund Licence applicable to the standard model plus delivery charge (£665.00 incl. VAT), new vehicle registration fee (£55.00), fuel (£50.00 incl. VAT), and number plates (£25.00 incl. VAT). VAT is calculated at the standard rate of 20%. Some of the model features, optional extras and colours shown may not be available, or may only be available in a different specification, or at a different price

COLOUR OPTIONS

Non-metallic, metallic and MANUFAKTUR paints

No-cost option Optional



149U polar white non-metallic

Mercedes-AMG GT 63 S 4MATIC+ Premium Plus

Mercedes-AMG GT 63 S E Performance

Total RRP incl. VAT -



831U graphite grey metallic

Mercedes-AMG GT 63 S 4MATIC+ Premium Plus

Mercedes-AMG GT 63 S E Performance

Total RRP incl. VAT -



970U spectral blue metallic

Mercedes-AMG GT 63 S 4MATIC+ Premium Plus

Mercedes-AMG GT 63 S E Performance

Total RRP incl. VAT -



197U obsidian black metallic

Mercedes-AMG GT 63 S 4MATIC+ Premium Plus

Mercedes-AMG GT 63 S E Performance

Total RRP incl. VAT -



922U high-tech silver metallic

Mercedes-AMG GT 63 S 4MATIC+ Premium Plus

Mercedes-AMG GT 63 S E Performance

Total RRP incl. VAT -



124U MANUFAKTUR classic grey solid

Mercedes-AMG GT 63 S 4MATIC+ Premium Plus

Mercedes-AMG GT 63 S E Performance

Total RRP incl. VAT **£1,700.00**

Please note that, owing to limitations of on-screen representation, paint colours may differ from those shown

COLOUR OPTIONS MANUFAKTUR paints

○ Optional



255U MANUFAKTUR olive metallic

Mercedes-AMG GT 63 S 4MATIC+ Premium Plus

○

Mercedes-AMG GT 63 S E Performance

○

Total RRP incl. VAT

£1,700.00



660U MANUFAKTUR rubellite red metallic

Mercedes-AMG GT 63 S 4MATIC+ Premium Plus

○

Mercedes-AMG GT 63 S E Performance

○

Total RRP incl. VAT

£1,700.00



885U MANUFAKTUR opalite white bright

Mercedes-AMG GT 63 S 4MATIC+ Premium Plus

○

Mercedes-AMG GT 63 S E Performance

○

Total RRP incl. VAT

£1,700.00



385U MANUFAKTUR Côte d'Azur light blue metallic

Mercedes-AMG GT 63 S 4MATIC+ Premium Plus

○

Mercedes-AMG GT 63 S E Performance

○

Total RRP incl. VAT

£1,700.00



685U MANUFAKTUR yellowstone solid

Mercedes-AMG GT 63 S 4MATIC+ Premium Plus

○

Mercedes-AMG GT 63 S E Performance

○

Total RRP incl. VAT

£1,700.00



934U MANUFAKTUR vintage blue solid

Mercedes-AMG GT 63 S 4MATIC+ Premium Plus

○

Mercedes-AMG GT 63 S E Performance

○

Total RRP incl. VAT

£1,700.00

Please note that, owing to limitations of on-screen representation, paint colours may differ from those shown

COLOUR OPTIONS MANUFAKTUR paints

Optional



993U MANUFAKTUR patagonia red bright

Mercedes-AMG GT 63 S 4MATIC+ Premium Plus

Mercedes-AMG GT 63 S E Performance

Total RRP incl. VAT £1,700.00



593U MANUFAKTUR spectral blue magno¹

Mercedes-AMG GT 63 S 4MATIC+ Premium Plus

Mercedes-AMG GT 63 S E Performance

Total RRP incl. VAT £3,125.00



677U MANUFAKTUR kalahari gold magno¹

Mercedes-AMG GT 63 S 4MATIC+ Premium Plus

Mercedes-AMG GT 63 S E Performance

Total RRP incl. VAT £3,125.00



297U MANUFAKTUR grey magno¹

Mercedes-AMG GT 63 S 4MATIC+ Premium Plus

Mercedes-AMG GT 63 S E Performance

Total RRP incl. VAT £3,125.00



658U MANUFAKTUR copper orange magno¹

Mercedes-AMG GT 63 S 4MATIC+ Premium Plus

Mercedes-AMG GT 63 S E Performance

Total RRP incl. VAT £3,125.00



818U MANUFAKTUR graphite grey magno¹

Mercedes-AMG GT 63 S 4MATIC+ Premium Plus

Mercedes-AMG GT 63 S E Performance

Total RRP incl. VAT £3,125.00

Please note that, owing to limitations of on-screen representation, paint colours may differ from those shown ¹MANUFAKTUR magno matt paint finishes require extra care. Please refer to the Owner's Manual for instructions

UPHOLSTERY Exclusive nappa leather¹

Optional



501A Exclusive nappa leather¹ – black
(seat belts in black, MANUFAKTUR roof lining in black DINAMICA microfibre)

| | |
|---|-----------------------|
| Mercedes-AMG GT 63 S 4MATIC+ Premium Plus | <input type="radio"/> |
| Mercedes-AMG GT 63 S E Performance | <input type="radio"/> |
| Total RRP incl. VAT | £3,200.00 |



507A Exclusive nappa leather¹ – red pepper/black
(seat belts in black, MANUFAKTUR roof lining in black DINAMICA microfibre)

| | |
|---|-----------------------|
| Mercedes-AMG GT 63 S 4MATIC+ Premium Plus | <input type="radio"/> |
| Mercedes-AMG GT 63 S E Performance | <input type="radio"/> |
| Total RRP incl. VAT | £3,200.00 |



528A Exclusive nappa leather¹ – titanium grey pearl/black
(seat belts in black, MANUFAKTUR roof lining in black DINAMICA microfibre)

| | |
|---|-----------------------|
| Mercedes-AMG GT 63 S 4MATIC+ Premium Plus | <input type="radio"/> |
| Mercedes-AMG GT 63 S E Performance | <input type="radio"/> |
| Total RRP incl. VAT | £3,200.00 |

¹100% of seat upholstery is pure leather

UPHOLSTERY Exclusive nappa leather¹

○ Optional – Not available



554A Exclusive nappa STYLE leather¹ – saddle brown/black
(seat belts in black, MANUFAKTUR roof lining in black DINAMICA microfibre)

Mercedes-AMG GT 63 S 4MATIC+ Premium Plus

Mercedes-AMG GT 63 S E Performance

Total RRP incl. VAT **£3,200.00**



564A Exclusive nappa STYLE leather¹ – truffle brown/black
(seat belts in black, MANUFAKTUR roof lining in black DINAMICA microfibre)

Mercedes-AMG GT 63 S 4MATIC+ Premium Plus

Mercedes-AMG GT 63 S E Performance

Total RRP incl. VAT **£3,200.00**



565A Exclusive nappa leather¹ – macchiato beige/magma grey
(seat belts in macchiato beige, MANUFAKTUR roof lining in macchiato beige DINAMICA microfibre)

Mercedes-AMG GT 63 S 4MATIC+ Premium Plus

Mercedes-AMG GT 63 S E Performance

Total RRP incl. VAT **£3,200.00**

¹100% of seat upholstery is pure leather

UPHOLSTERY Exclusive MANUFAKTUR nappa leather¹

○ Optional – Not available



952A Exclusive MANUFAKTUR nappa leather¹ – yacht blue/black
(seat belts in black, MANUFAKTUR roof lining in black DINAMICA microfibre)

| | |
|---|------------------|
| Mercedes-AMG GT 63 S 4MATIC+ Premium Plus | ○ |
| Mercedes-AMG GT 63 S E Performance | – |
| Total RRP incl. VAT | £5,500.00 |



954A Exclusive MANUFAKTUR nappa leather¹ – sienna brown/black
(seat belts in black, MANUFAKTUR roof lining in black DINAMICA microfibre)

| | |
|---|------------------|
| Mercedes-AMG GT 63 S 4MATIC+ Premium Plus | ○ |
| Mercedes-AMG GT 63 S E Performance | – |
| Total RRP incl. VAT | £5,500.00 |



957A Exclusive MANUFAKTUR nappa leather¹ – classic red/black
(seat belts in black, MANUFAKTUR roof lining in black DINAMICA microfibre)

| | |
|---|------------------|
| Mercedes-AMG GT 63 S 4MATIC+ Premium Plus | ○ |
| Mercedes-AMG GT 63 S E Performance | – |
| Total RRP incl. VAT | £5,500.00 |

¹100% of seat upholstery is pure leather

UPHOLSTERY

Exclusive MANUFAKTUR nappa leather¹

○ Optional – Not available



958A Exclusive MANUFAKTUR nappa leather¹ – neva grey/black
(seat belts in black, MANUFAKTUR roof lining in black DINAMICA microfibre)

Mercedes-AMG GT 63 S 4MATIC+ Premium Plus

○

Mercedes-AMG GT 63 S E Performance

–

Total RRP incl. VAT

£5,500.00



959A Exclusive MANUFAKTUR nappa leather¹ – deep white/black
(seat belts in black, MANUFAKTUR roof lining in black DINAMICA microfibre)

Mercedes-AMG GT 63 S 4MATIC+ Premium Plus

○

Mercedes-AMG GT 63 S E Performance

–

Total RRP incl. VAT

£5,500.00

¹100% of seat upholstery is pure leather

| Design | Technology | Plug-in Hybrid | Model lines | Driving experience | Model prices | Personalisation | Standard equipment | Technical data | Additional information |
|--------|------------|----------------|-------------|--------------------|--------------|-----------------|--------------------|----------------|------------------------|
|--------|------------|----------------|-------------|--------------------|--------------|-----------------|--------------------|----------------|------------------------|

AMG AERODYNAMICS PACKAGE

With the AMG Aerodynamics package, our technicians have managed to reconcile two effects which are to all intents and purposes mutually contradictory: the complex aerodynamic elements reduce drag, while at the same time increasing negative lift force. This intelligent combination of additional flics, modified front and rear apron and a fixed rear aerofoil is a masterpiece of aerodynamics.



AMG Aerodynamics package (code B26)

Deflector elements at the side air outlets of the rear wings

Extensively optimised front apron with larger front splitter and additional air deflector elements at the air intakes and the front wheel arches

Fixed rear aerofoil in high-gloss black

Further optimised diffuser, integrated in the rear apron

Total incl. VAT £3,000.00



DRIVING ASSISTANCE PACKAGE

The Driving Assistance package¹ contains a range of highly intelligent features to help you stay safe on the road – by making the drive more effortless, by warning of danger, and by taking steps to protect you in an emergency.

Driving Assistance package¹ (code P79)

Active Lane Keeping Assist

Active Speed Limit Assist

Active Steering Assist

Active Traffic Assist

DISTRONIC Plus

Extended automatic re-start in traffic jams

Route-based speed adaptation

Total incl. VAT £2,100.00

¹Our driver assistance and safety systems are aids and do not relieve you of your responsibility as the driver. Please take note of the information in the Owner's Manual and the system limits which are described therein

[Book a test drive](#)[Find your Mercedes-AMG GT](#)[Find a Showroom](#)

STANDARD EQUIPMENT

● Standard – Not available

AMG GT 63S E-Performance
AMG GT 63S Premium Plus

AMG GT 63S E-Performance
AMG GT 63S Premium Plus

Battery and Charging

| | | |
|---|---|---|
| 150 kW electric motor for all-electric driving for up to 7 miles | – | ● |
| Battery with a capacity of 6 kWh and high-performance cooling that tolerates high charging and discharging currents | – | ● |
| Charging cable – Mode 3 cable (8 metres, straight) for wallbox and public charging station | – | ● |
| Charging cable – Mode 2 cable (5 metres, straight) for domestic socket | – | ● |

Engine, Transmission and Suspension

| | | |
|---|---|---|
| 4MATIC+ | ● | ● |
| AMG rear axle steering | ● | ● |
| AMG RIDE CONTROL+ | ● | ● |
| AMG speed-sensitive steering, 3-stage | ● | ● |
| AMG SPEEDSHIFT MCT 9-speed sports automatic transmission | ● | ● |
| Driving modes – AMG DYNAMIC PLUS package with dynamic AMG engine mounts and 'RACE' drive program including 'Drift' mode | ● | ● |
| Driving modes – AMG DYNAMIC SELECT with the drive programs 'Slippery', 'Comfort', 'Sport', 'Sport+', 'RACE' including 'Drift' mode and 'Individual' | ● | ● |
| Cruise control with SPEEDTRONIC variable speed limiter | ● | ● |
| ECO start/stop function | ● | ● |
| Fuel tank – 66 l | ● | – |
| Fuel tank – 73 l | – | ● |

Exterior

| | | |
|---|---|---|
| AMG Exterior Night package – elements in high-gloss black: exterior mirror housing, front splitter, heat-insulating dark-tinted glass from B-pillar, inserts in side sill panels, shoulder line trim strip and window weather-strips, trim element in the front wings, trim strip in the front apron, trim strip in the rear apron, twin tailpipe trim elements of the AMG exhaust system in black chrome-plated finish | ● | ● |
| AMG Light Display – the projector fitted in the side skirts casts 'AMG' lettering onto the asphalt | ● | ● |
| AMG Performance exhaust system, switchable | ● | ● |
| AMG-specific radiator grille | ● | ● |
| Bonnet with power domes | ● | ● |
| Brake callipers with 'AMG Carbon Ceramic' lettering painted in bronze | – | ● |
| Brake callipers with 'AMG' lettering painted in yellow | ● | – |
| Brake system – AMG ceramic high-performance composite brake system | – | ● |
| Brake system – AMG high-performance compound brake system | ● | – |
| Extendible rear spoiler | ● | ● |
| Heat-insulating glass for side and rear windows (single-layer safety glass) as well as windscreen (laminated safety glass) | ● | ● |
| KEYLESS-GO Comfort package – door handles with chrome inserts, EASY-PACK tailgate, handle recess illumination, hands-free access | ● | ● |
| KEYLESS-GO starting function – engine start at the push of a button | ● | ● |
| Lights – LED tail lights with sequential turn signals | ● | ● |
| Lights – MULTIBEAM LED headlights with Adaptive Highbeam Assist Plus | ● | ● |
| Mirror package – electrically adjustable exterior mirrors, automatic dimming (exterior driver's side and interior) mirrors | ● | ● |
| Model designation on the front wings and boot lid | ● | ● |

[Book a test drive](#)[Find your Mercedes-AMG GT](#)[Find a Showroom](#)

STANDARD EQUIPMENT

● Standard □ No-cost option – Not available

Exterior (continued)

| | AMG GT 63 S Premium Plus | AMG GT 63 S E Performance |
|---|--------------------------|---------------------------|
| Panoramic sunroof | ● | ● |
| Privacy glass | ● | ● |
| Rear apron in the vehicle colour, lower part with diffuser in high-gloss black | ● | ● |
| 'V8 BITURBO' lettering on both front wings with added 'E Performance' logo underneath | ● | ● |
| Windscreen wipers with rain sensor | ● | ● |

Wheels

| | AMG GT 63 S Premium Plus | AMG GT 63 S E Performance |
|--|--------------------------|---------------------------|
| 21" AMG forged wheels – 5-twin-spoke design, painted tantalite grey with a high-sheen finish, 275/35 ZR 21 tyres (front) and 315/30 ZR 21 tyres (rear) (RWI) | □ | □ |
| 21" AMG forged wheels – cross-spoke design, painted matt black with a high-sheen rim flange, 275/35 ZR21 tyres (front) and 315/30 ZR21 tyres (rear) (RWE) | ● | ● |
| Summer tyres | ● | ● |

Interior

| | AMG GT 63 S Premium Plus | AMG GT 63 S E Performance |
|--|--------------------------|---------------------------|
| AIR-BALANCE package – fragrance generator with filled fragrance flask and function cap in the glove compartment, oxygen ioniser in the side air duct, improved filter system between the air conditioner's intake and air distribution | ● | ● |
| Ambient lighting – choice of 64 colour settings with 10 colour schemes and 2 effects | ● | ● |
| AMG drive unit in a V8 style with 8 high-resolution display switches, gear selector lever with embossed AMG emblem | ● | ● |
| AMG illuminated door sills with 'AMG' lettering and with exchangeable cover | ● | ● |
| AMG instrument cluster including AMG main menu with RACE TIMER, analogue round dials with 220 mph scale and 'Super sport' display style | ● | ● |
| Electric windows (4) with PRE-SAFE® closing function | ● | ● |

| | AMG GT 63 S Premium Plus | AMG GT 63 S E Performance |
|---|--------------------------|---------------------------|
| ENERGIZING package Plus – 7 ENERGIZING comfort programmes, ENERGIZING COACH, multicontour seats for driver and front passenger, seat climate control for driver and front passenger, Warmth Comfort package and AIR-BALANCE package | ● | – |
| ENERGIZING package Plus – 8 ENERGIZING comfort programmes, ENERGIZING COACH, multicontour seats for driver and front passenger, seat climate control for driver and front passenger, Warmth Comfort package and AIR-BALANCE package | – | ● |
| Floor mats – AMG floor mats with 'AMG' lettering | ● | ● |
| Glove compartment – lockable, air-conditioned and illuminated | ● | ● |
| Memory package – four-way lumbar support for driver and front passenger, automatic dimming for interior and exterior mirrors, fore-and-aft seat position and head restraint height also electrically adjustable, front seats, position of steering column and exterior mirrors electrically adjustable and storable, PRE-SAFE® positioning function for front-passenger seat, seat cushion length adjustment with gapless cushion | ● | ● |
| Pre-entry climate control ¹ | – | ● |
| Pull out sun visors with vanity mirror, illuminated and pivotable to the side window | ● | ● |
| Seats – Active Multicontour Seat package | ● | ● |
| Seats – AMG sports seats with embossed AMG emblem in the head restraints and bezel in silver chrome with 'AMG' lettering | ● | ● |
| Seats – climatized front seats | ● | ● |
| Seats – heated rear seats | ● | ● |
| Seats – Seat Heating Plus for driver and front passenger seats | ● | ● |
| Seats – 3-seater rear bench | ● | – |
| Seats – two individual seats and stowage compartment in the rear | – | ● |
| Steering wheel – AMG Performance steering wheel in DINAMICA microfibre with 12 o'clock marking and AMG steering wheel buttons | ● | ● |
| Steering wheel – heated | ● | ● |

¹The connection of the communication module to the mobile phone network including the emergency call system depends on the respective network coverage and availability of network providers

[Book a test drive](#)[Find your Mercedes-AMG GT](#)[Find a Showroom](#)

STANDARD EQUIPMENT

● Standard □ No-cost option – Not available

Interior (continued)

| | AMG GT 63 S Premium Plus | AMG GT 63 S E-Performance |
|--|--------------------------|---------------------------|
| Stowage compartment for glasses | ● | ● |
| Stowage compartment in the front with 12V socket and armrest with compartment including 2 USB ports and SD card slot | ● | ● |
| Stowage Space package | ● | ● |
| THERMOTRONIC automatic 3-zone climate control | ● | ● |
| Widescreen cockpit | ● | ● |

Paint, Trim and Upholstery

| | AMG GT 63 S Premium Plus | AMG GT 63 S E-Performance |
|----------------------------------|--------------------------|---------------------------|
| Paint - metallic | ● | ● |
| Roof liner - fabric black | ● | ● |
| Trim - AMG carbon fibre | ● | ● |
| Upholstery - nappa leather black | ● | ● |

Safety and Assistance Systems

| | AMG GT 63 S Premium Plus | AMG GT 63 S E-Performance |
|---|--------------------------|---------------------------|
| Active Brake Assist ¹ | ● | ● |
| Active Lane Keeping Assist ¹ | ● | ● |
| Airbags - driver and front passenger | ● | ● |
| Airbags - knee bag for driver | ● | ● |
| Airbags - side bags for driver and front passenger (combined thorax/pelvis bag) | ● | ● |
| Airbags - window bags | ● | ● |

| | AMG GT 63 S Premium Plus | AMG GT 63 S E-Performance |
|---|--------------------------|---------------------------|
| Alarm system with immobiliser and interior protection | ● | ● |
| AMG 3-stage Electronic Stability Programme (ESP) | ● | ● |
| Anti-lock braking system (ABS) with Brake Assist (BAS) | ● | ● |
| ATTENTION ASSIST - monitors steering behaviour and can help alert to long journey fatigue | ● | ● |
| Automatic child seat recognition sensor - works in conjunction with Mercedes-Benz child seats fitted with transponder | ● | ● |
| Automatic front passenger airbag deactivation | ● | ● |
| Blind Spot Assist including exit warning function | ● | ● |
| Brake pad wear indicator - front brakes | ● | ● |
| Electric parking brake | ● | ● |
| Electronic Stability Programme (ESP [®]) with Acceleration Skid Control (ASR) | ● | ● |
| First-aid kit | ● | ● |
| Front passenger seat with seat occupancy sensor (WSS) | ● | ● |
| GUARD 360° vehicle protection Plus ² | ● | ● |
| Mercedes-Benz emergency call system ² | ● | ● |
| Parking package - Active Parking Assist ¹ with PARKTRONIC and 360° camera | ● | ● |
| Pedestrian protection | ● | ● |
| PRE-SAFE [®] system | ● | ● |
| Remote central locking | ● | ● |
| Seat belt pre-tensioners, belt force limiters and automatic belt height adjustment - front and outer rear seats | ● | ● |
| Seat belts, black (4) | ● | ● |
| Seat belts, rear - three-point (2) | ● | ● |

¹Our driver assistance and safety systems are aids and do not relieve you of your responsibility as the driver. Please take note of the information in the Owner's Manual and the system limits which are described therein of network providers

²The connection of the communication module to the mobile phone network including the emergency call system depends on the respective network coverage and availability

STANDARD EQUIPMENT

- Standard
- No-cost option
- Not available

Safety and Assistance Systems (continued)

| | AMG GT 63S E-Performance | AMG GT 63S Premium Plus |
|--|--------------------------|-------------------------|
| Speed Limit Assist | ● | ● |
| Status display for rear seat belts in instrument cluster | ● | ● |
| Traffic Sign Assist | ● | ● |
| TIREFIT with tyre inflation compressor | ● | ● |
| Tyre pressure monitoring system | ● | ● |
| Warning triangle | ● | ● |

Communications and In-Car Entertainment

| | | |
|---|---|---|
| AMG Track Pace – transform your AMG vehicle into your virtual race engineer. With the aid of lap, sector and acceleration times plus selected live telemetry data you can specifically analyse and improve your driving skills on cordoned-off tracks | ● | ● |
| Burmester® surround sound system – 14 high-performance speakers, 10-channel DSP amplifier with a total output of 640 watts (8 x 50 watts and 2 x 120 watts), frontbass technology with subwoofers integrated into the body shell, vehicle noise compensation (VNC), sound preset: surround function to generate virtual surround sound, sound optimisation for the front and rear seats, supports multi-channel formats for true surround sound | ● | ● |
| Head-up display | ● | ● |

| | AMG GT 63S E-Performance | AMG GT 63S Premium Plus |
|--|--------------------------|-------------------------|
| GPS aerial | ● | ● |
| Instrument and media display with hybrid-specific features, including performance graph, electric range or energy consumption | ● | ● |
| Mercedes me connect (standard services) ¹ | ● | ● |
| MBUX augmented reality for navigation | ● | ● |
| MBUX multimedia system | ● | ● |
| Pre-installtion for car sharing | ● | ● |
| Radar-based recuperation | – | ● |
| Remote and Charging Services Premium ¹ | – | ● |
| Remote Services Premium | ● | ● |
| Smartphone integration ² including Apple CarPlay® and Android Auto™ | ● | ● |
| Touchpad – integrated into the centre console with clear haptic feedback | ● | ● |
| Wireless charging system (front) for mobile devices ¹ – charges mobile phones which support the Qi standard wirelessly on a charging surface, Near Field Communication (NFC) for quickly connecting to mobile phone | ● | ● |

¹The connection of the communication module to the mobile phone network including the emergency call system depends on the respective network coverage and availability of network providers

²Compatible mobile phone required. Please check www.mercedes-benz-mobile.com for details or contact your local Mercedes-Benz Agent for further information

TECHNICAL DATA

- Standard

| Model | Mercedes-AMG GT 63 S 4MATIC+ | | Mercedes-AMG GT 63 S E Performance | |
|--|------------------------------|-----------------|------------------------------------|--|
| Engine | | | | |
| Total displacement | cc | 3,982 | | 3,982 |
| Arrangement/cylinders/valves | | V/8/32 | | V/8/32 |
| Electric motor type | | - | | AMG High-Performance Battery (lithium-ion) |
| Battery capacity | kWh | - | | 6.0 |
| Power ¹ | hp (kW) at rpm | | | |
| Combustion engine | | 639 (470)/6,500 | | 639 (470)/6,500 |
| Electric motor | | - | | 204 (150)/500-4,500 |
| System output | | - | | 843 (620) |
| Torque ¹ | Nm at rpm | | | |
| Combustion engine | | 900/2,500-4,500 | | 900/2,500-4,500 |
| Electric motor | | - | | 320 |
| Compression ratio | | 8.6:1 | | 8.6:1 |
| Electric range - WLTP ² | miles | - | | 7 |
| Range power consumption combined ^{2,3} | Wh/km | - | | 364 |
| Charging time | | | | |
| Home wallbox (1.8 kW AC) 25-100% ⁴ | | - | | 2 hrs 45 mins |
| Wallbox (3.7 kW AC) 25-100% ⁴ | | - | | 1 hr 30 mins |
| Emissions standard | | Euro 6d-ISC-FCM | | Euro 6d-ISC-FCM |
| Transmission | | | | |
| AMG SPEEDSHIFT MCT 9-speed sports automatic transmission | | ● | | ● |

¹Figures according to Directive 80/1269/EEC in the currently applicable version ²The indicated values were determined according to the prescribed measurement method - Worldwide Harmonised Light Vehicle Test Procedure (WLTP). Figures shown may include options which are not available in the UK. For Plug-in Hybrid Electric Vehicle (PHEV) figures determined with the battery fully charged, using a combination of both battery power and fuel. These models require mains electricity for charging ³The certified electrical consumption is generally determined at maximum AC charging capacity using a Mode 3 cable. It is therefore recommended that vehicles with a HV battery preferably be charged at a wallbox or an AC charging station with a Mode 3 cable in order to achieve shorter charging times and improved charging efficiency ⁴Specified voltage and current values refer to network infrastructure and can be limited by the vehicle. Times are from 25-100% charge using a wallbox (three-phase) or standard socket (single-phase)

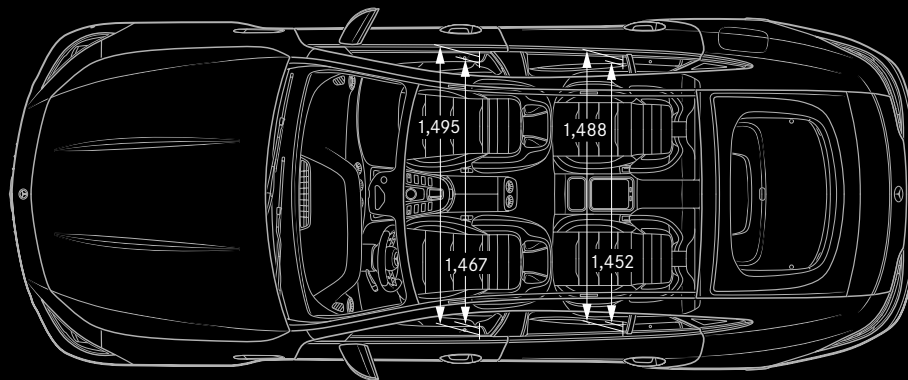
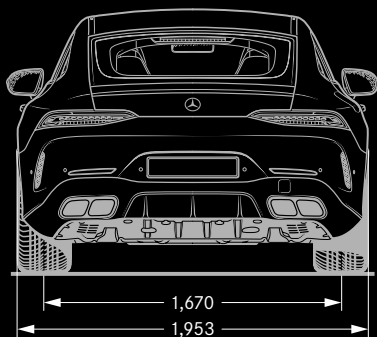
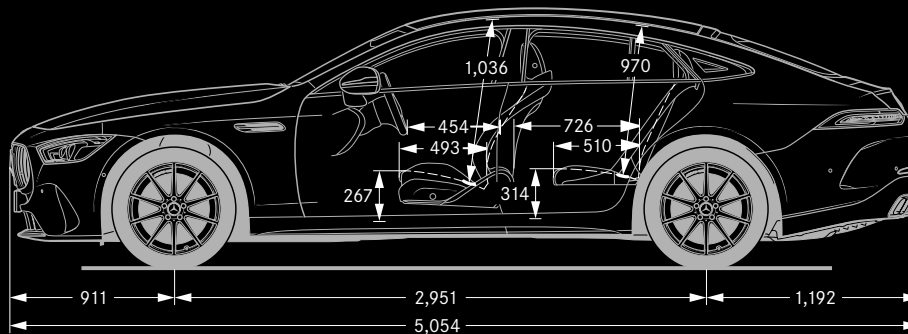
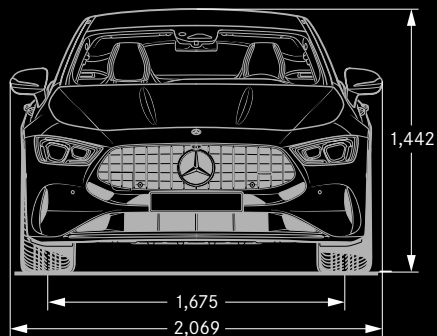
TECHNICAL DATA

| Model | | Mercedes-AMG GT 63 S 4MATIC+ | Mercedes-AMG GT 63 S E Performance |
|---|----------|------------------------------|------------------------------------|
| Performance | | | |
| Acceleration 0–62 mph | sec | 3.2 | 2.9 |
| Top speed (electric mode) | mph | 196 | 196 |
| Weights and capacities | | | |
| Kerb weight ⁵ | kg | 2,267–2,273 | 2,569 |
| Perm. Gross Vehicle Weight | kg | 2,560 | 2,760 |
| Boot capacity | l | 461 | 335 |
| Fuel tank capacity/of which reserve | l | 66/10 | 73/12 |
| Turning circle | m | 12.2 | 12.2 |
| Fuel consumption^{6,7,8} | | | |
| Combined (consumption dependent on chosen optional equipment) | l/100 km | 13.1–13.2 | 12.8 |
| | mpg | 21.6–21.4 | 22.1 |
| Insurance | | | |
| Group rating | | 50E | 50E |

Insurance ratings may vary depending on model line and specification. Please refer to <http://www.thatcham.org/abigrouprating/> for further details

⁵Mass of the vehicle in running order with at least 90% full fuel tank, plus the mass of the driver (estimated by law at 75 kg), fuel and fluids, equipped with the standard equipment as specified by the manufacturer as well as, where applicable, the mass of the body, cab, trailer coupling and spare wheel(s) as well as tools. Optional extras, additional equipment and accessories can influence the weight, residual payload, rolling resistance, aerodynamics, etc., and therefore also affect the consumption/CO₂ values ⁶All figures are based on a standard specification with the smallest tyre size ⁷The choice of wheels and transmission may affect CO₂ emissions and corresponding Road Fund Licence ⁸The indicated values were determined according to the prescribed measurement method - Worldwide Harmonised Light Vehicle Test Procedure (WLTP). Figures shown may include options which are not available in the UK

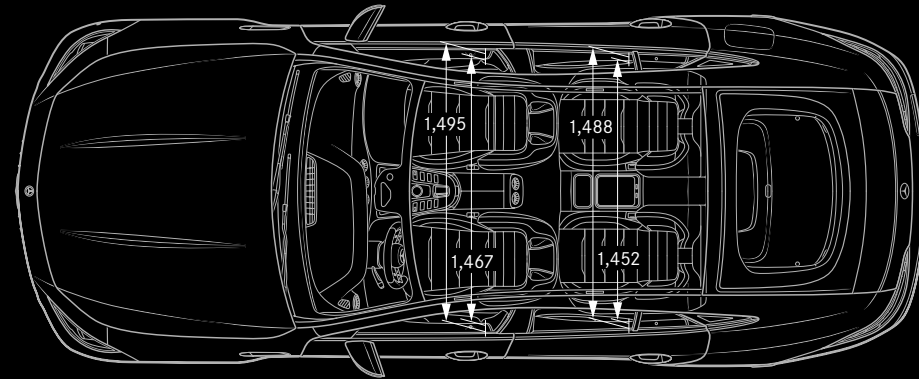
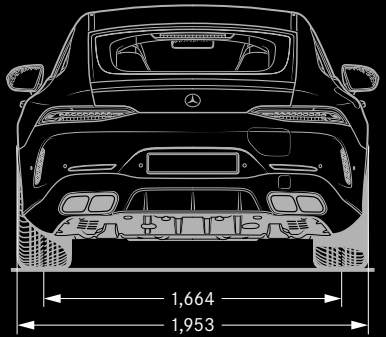
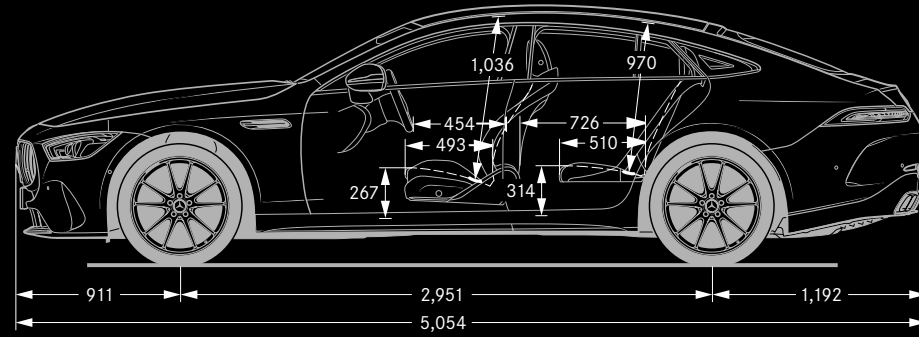
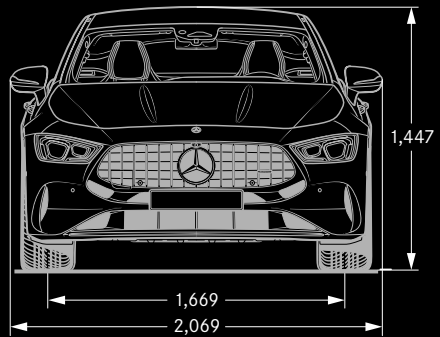
Mercedes-AMG GT 63 S 4MATIC+



All measurements in millimetres. The dimensions shown are mean values and apply to standard-specification, unladen vehicles

| Design | Technology | Plug-in Hybrid | Model lines | Driving experience | Model prices | Personalisation | Standard equipment | Technical data | Additional information |
|--------|------------|----------------|-------------|--------------------|--------------|-----------------|--------------------|----------------|------------------------|
|--------|------------|----------------|-------------|--------------------|--------------|-----------------|--------------------|----------------|------------------------|

Mercedes-AMG GT 63 S E Performance



All measurements in millimetres. The dimensions shown are mean values and apply to standard-specification, unladen vehicles

| | | | | | | | | | |
|--------|------------|----------------|-------------|--------------------|--------------|-----------------|--------------------|----------------|------------------------|
| Design | Technology | Plug-in Hybrid | Model lines | Driving experience | Model prices | Personalisation | Standard equipment | Technical data | Additional information |
|--------|------------|----------------|-------------|--------------------|--------------|-----------------|--------------------|----------------|------------------------|

ROAD FUND LICENCE

All road vehicle registrations are subject to Vehicle Excise Duty (Road Fund Licence), which varies in accordance with the vehicle's CO₂ emissions. A first year rate for each taxation band will apply. The table below shows the bands (A-M) created by the DVLA and the corresponding Road Fund Licence. CO₂ emissions and the relevant Excise Duty are shown on the model pricing pages.

| Band | CO ₂ emissions (g/km) | First year rate petrol and RDE2 diesel (£) | First year rate all other diesel (£) ¹ | First year rate alternative fuel (£) | Electric vehicles | | Alternative fuel vehicles | | Petrol/diesel vehicles | |
|------|----------------------------------|--|---|--------------------------------------|-------------------|-------------------------------|---------------------------|-------------------------------|------------------------|-------------------------------|
| | | | | | Standard rate (£) | Premium rate (£) ² | Standard rate (£) | Premium rate (£) ² | Standard rate (£) | Premium rate (£) ² |
| A | 0 | 0.00 | 0.00 | 0.00 | 0.00 | 0.00 | 0.00 | 0.00 | 0.00 | 0.00 |
| B | 1 to 50 | 10.00 | 25.00 | 0.00 | 0.00 | 0.00 | 145.00 | 480.00 | 155.00 | 490.00 |
| C | 51 to 75 | 25.00 | 115.00 | 15.00 | 0.00 | 0.00 | 145.00 | 480.00 | 155.00 | 490.00 |
| D | 76 to 90 | 115.00 | 140.00 | 105.00 | 0.00 | 0.00 | 145.00 | 480.00 | 155.00 | 490.00 |
| E | 91 to 100 | 140.00 | 160.00 | 130.00 | 0.00 | 0.00 | 145.00 | 480.00 | 155.00 | 490.00 |
| F | 101 to 110 | 160.00 | 180.00 | 150.00 | 0.00 | 0.00 | 145.00 | 480.00 | 155.00 | 490.00 |
| G | 111 to 130 | 180.00 | 220.00 | 170.00 | 0.00 | 0.00 | 145.00 | 480.00 | 155.00 | 490.00 |
| H | 131 to 150 | 220.00 | 555.00 | 210.00 | 0.00 | 0.00 | 145.00 | 480.00 | 155.00 | 490.00 |
| I | 151 to 170 | 555.00 | 895.00 | 545.00 | 0.00 | 0.00 | 145.00 | 480.00 | 155.00 | 490.00 |
| J | 171 to 190 | 895.00 | 1,345.00 | 885.00 | 0.00 | 0.00 | 145.00 | 480.00 | 155.00 | 490.00 |
| K | 191 to 225 | 1,345.00 | 1,910.00 | 1,335.00 | 0.00 | 0.00 | 145.00 | 480.00 | 155.00 | 490.00 |
| L | 226 to 255 | 1,910.00 | 2,245.00 | 1,900.00 | 0.00 | 0.00 | 145.00 | 480.00 | 155.00 | 490.00 |
| M | over 255 | 2,245.00 | 2,245.00 | 2,235.00 | 0.00 | 0.00 | 145.00 | 480.00 | 155.00 | 490.00 |



Some of the model features, optional extras and colours shown may not be available, or may only be available in a different specification, or at a different price

¹Applies to all Mercedes-Benz diesel models which do not comply with RDE (Real Driving Emissions) Step 2 Certified (Euro 6d)

²Premium rate only applicable to vehicles where the list price is over £40,000 including any factory-fitted options, standard UK delivery charge and VAT

SERVICES AND INSURANCE

Mercedes-Benz ServiceCare

We believe that servicing costs should be as flexible and affordable as possible for your Mercedes-AMG GT, which is why we offer ServiceCare, an easy way to budget for all your servicing costs. It spreads your bills into manageable payments based on whether you have a new or used Mercedes-Benz.

With ServiceCare we guarantee the price of parts and labour for up to four services and safeguard against any further inflation. It also covers the cost of all recommended service items including brake fluid, spark plugs, air filters, fuel filters and screen wash.

You can choose either to add your servicing costs into your monthly spend or pay the full amount in a one-off payment, giving you peace of mind that they are taken care of for the period of the plan.

[Click here for more information](#)

Warranty and breakdown cover

Every Mercedes-Benz comes with a three-year unlimited mileage warranty against manufacturing or material defects¹ and up to 30 years warranty against perforation due to corrosion from the inside out.² What's more, it's also covered by Mercedes-Benz Roadside Assistance – a unique package comprising up to 30 years pan-European breakdown assistance.²



Motor Insurance

Superb cover comes as standard. When reviewed by an independent research company, Defaqto, Mercedes-Benz Motor Insurance received a five-star rating, the highest rating available. We design our Motor Insurance specifically for Mercedes-Benz drivers.

[Get a quote](#)

¹Applies to vehicles sold by Mercedes-Benz in the UK to its franchised Mercedes-Benz Agents

²Subject to full Terms and Conditions, dependent on date of registration, available upon request

Mercedes-Benz Motor Insurance is underwritten by Aviva Insurance UK Limited. Credit provided, subject to status, by Mercedes-Benz Financial Services UK Ltd, MK15 8BA



Effective from March 2024 Production. Information correct at time of publication 05.12.2023.
Prices and specifications are subject to change without prior notice.
MBX290PL/1223 MY804.5

