



# The GLC SUV and Coupé

Effective from December 2024 Production.

Mercedes-Benz





Book a test drive



Find your GLC



Find a Showroom



Some of the model features, optional extras and colours shown may not be available, or may only be available in a different specification, or at a different price.

Design	Technology	Plug-in Hybrid	Model lines	Upholstery	Model prices	Mercedes-AMG	Mercedes-AMG upholstery	Mercedes-AMG prices	Personalisation	Standard equipment	Genuine accessories	Technical data	Additional information
--------	------------	----------------	-------------	------------	--------------	--------------	-------------------------	---------------------	-----------------	--------------------	---------------------	----------------	------------------------

[Book a test drive](#)[Find your GLC](#)[Find a Showroom](#)

Some of the model features, optional extras and colours shown may not be available, or may only be available in a different specification, or at a different price.

<a href="#">Design</a>	<a href="#">Technology</a>	<a href="#">Plug-in Hybrid</a>	<a href="#">Model lines</a>	<a href="#">Upholstery</a>	<a href="#">Model prices</a>	<a href="#">Mercedes-AMG</a>	<a href="#">Mercedes-AMG upholstery</a>	<a href="#">Mercedes-AMG prices</a>	<a href="#">Personalisation</a>	<a href="#">Standard equipment</a>	<a href="#">Genuine accessories</a>	<a href="#">Technical data</a>	<a href="#">Additional information</a>
------------------------	----------------------------	--------------------------------	-----------------------------	----------------------------	------------------------------	------------------------------	---	-------------------------------------	---------------------------------	------------------------------------	-------------------------------------	--------------------------------	--



Some of the model features, optional extras and colours shown may not be available, or may only be available in a different specification, or at a different price.

<a href="#">Design</a>	<a href="#">Technology</a>	<a href="#">Plug-in Hybrid</a>	<a href="#">Model lines</a>	<a href="#">Upholstery</a>	<a href="#">Model prices</a>	<a href="#">Mercedes-AMG</a>	<a href="#">Mercedes-AMG upholstery</a>	<a href="#">Mercedes-AMG prices</a>	<a href="#">Personalisation</a>	<a href="#">Standard equipment</a>	<a href="#">Genuine accessories</a>	<a href="#">Technical data</a>	<a href="#">Additional information</a>
------------------------	----------------------------	--------------------------------	-----------------------------	----------------------------	------------------------------	------------------------------	---	-------------------------------------	---------------------------------	------------------------------------	-------------------------------------	--------------------------------	--

[Book a test drive](#)[Find your GLC](#)[Find a Showroom](#)

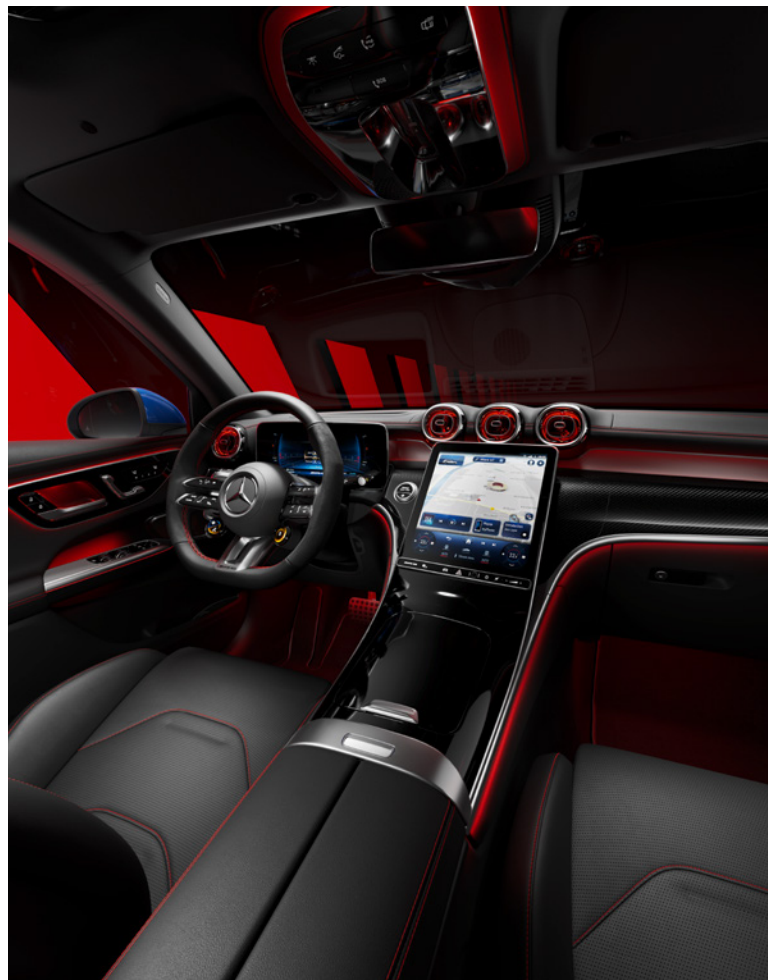
Some of the model features, optional extras and colours shown may not be available, or may only be available in a different specification, or at a different price.

<a href="#">Design</a>	<a href="#">Technology</a>	<a href="#">Plug-in Hybrid</a>	<a href="#">Model lines</a>	<a href="#">Upholstery</a>	<a href="#">Model prices</a>	<a href="#">Mercedes-AMG</a>	<a href="#">Mercedes-AMG upholstery</a>	<a href="#">Mercedes-AMG prices</a>	<a href="#">Personalisation</a>	<a href="#">Standard equipment</a>	<a href="#">Genuine accessories</a>	<a href="#">Technical data</a>	<a href="#">Additional information</a>
------------------------	----------------------------	--------------------------------	-----------------------------	----------------------------	------------------------------	------------------------------	---	-------------------------------------	---------------------------------	------------------------------------	-------------------------------------	--------------------------------	--



Some of the model features, optional extras and colours shown may not be available, or may only be available in a different specification, or at a different price.

<a href="#">Design</a>	<a href="#">Technology</a>	<a href="#">Plug-in Hybrid</a>	<a href="#">Model lines</a>	<a href="#">Upholstery</a>	<a href="#">Model prices</a>	<a href="#">Mercedes-AMG</a>	<a href="#">Mercedes-AMG upholstery</a>	<a href="#">Mercedes-AMG prices</a>	<a href="#">Personalisation</a>	<a href="#">Standard equipment</a>	<a href="#">Genuine accessories</a>	<a href="#">Technical data</a>	<a href="#">Additional information</a>
------------------------	----------------------------	--------------------------------	-----------------------------	----------------------------	------------------------------	------------------------------	---	-------------------------------------	---------------------------------	------------------------------------	-------------------------------------	--------------------------------	--

[Book a test drive](#)[Find your GLC](#)[Find a Showroom](#)

Some of the model features, optional extras and colours shown may not be available, or may only be available in a different specification, or at a different price.

<a href="#">Design</a>	<a href="#">Technology</a>	<a href="#">Plug-in Hybrid</a>	<a href="#">Model lines</a>	<a href="#">Upholstery</a>	<a href="#">Model prices</a>	<a href="#">Mercedes-AMG</a>	<a href="#">Mercedes-AMG upholstery</a>	<a href="#">Mercedes-AMG prices</a>	<a href="#">Personalisation</a>	<a href="#">Standard equipment</a>	<a href="#">Genuine accessories</a>	<a href="#">Technical data</a>	<a href="#">Additional information</a>
------------------------	----------------------------	--------------------------------	-----------------------------	----------------------------	------------------------------	------------------------------	---	-------------------------------------	---------------------------------	------------------------------------	-------------------------------------	--------------------------------	--



Some of the model features, optional extras and colours shown may not be available, or may only be available in a different specification, or at a different price.

Design	Technology	Plug-in Hybrid	Model lines	Upholstery	Model prices	Mercedes-AMG	Mercedes-AMG upholstery	Mercedes-AMG prices	Personalisation	Standard equipment	Genuine accessories	Technical data	Additional information
--------	------------	----------------	-------------	------------	--------------	--------------	-------------------------	---------------------	-----------------	--------------------	---------------------	----------------	------------------------





Some of the model features, optional extras and colours shown may not be available, or may only be available in a different specification, or at a different price.

<a href="#">Design</a>	<a href="#">Technology</a>	<a href="#">Plug-in Hybrid</a>	<a href="#">Model lines</a>	<a href="#">Upholstery</a>	<a href="#">Model prices</a>	<a href="#">Mercedes-AMG</a>	<a href="#">Mercedes-AMG upholstery</a>	<a href="#">Mercedes-AMG prices</a>	<a href="#">Personalisation</a>	<a href="#">Standard equipment</a>	<a href="#">Genuine accessories</a>	<a href="#">Technical data</a>	<a href="#">Additional information</a>
------------------------	----------------------------	--------------------------------	-----------------------------	----------------------------	------------------------------	------------------------------	---	-------------------------------------	---------------------------------	------------------------------------	-------------------------------------	--------------------------------	--



Some of the model features, optional extras and colours shown may not be available, or may only be available in a different specification, or at a different price.

Design	Technology	Plug-in Hybrid	Model lines	Upholstery	Model prices	Mercedes-AMG	Mercedes-AMG upholstery	Mercedes-AMG prices	Personalisation	Standard equipment	Genuine accessories	Technical data	Additional information
--------	------------	----------------	-------------	------------	--------------	--------------	-------------------------	---------------------	-----------------	--------------------	---------------------	----------------	------------------------

[Book a test drive](#)[Find your GLC](#)[Find a Showroom](#)

Some of the model features, optional extras and colours shown may not be available, or may only be available in a different specification, or at a different price.

Design	Technology	Plug-in Hybrid	Model lines	Upholstery	Model prices	Mercedes-AMG	Mercedes-AMG upholstery	Mercedes-AMG prices	Personalisation	Standard equipment	Genuine accessories	Technical data	Additional information
--------	------------	----------------	-------------	------------	--------------	--------------	-------------------------	---------------------	-----------------	--------------------	---------------------	----------------	------------------------



Some of the model features, optional extras and colours shown may not be available, or may only be available in a different specification, or at a different price.

Design	Technology	Plug-in Hybrid	Model lines	Upholstery	Model prices	Mercedes-AMG	Mercedes-AMG upholstery	Mercedes-AMG prices	Personalisation	Standard equipment	Genuine accessories	Technical data	Additional information
--------	------------	----------------	-------------	------------	--------------	--------------	-------------------------	---------------------	-----------------	--------------------	---------------------	----------------	------------------------



Some of the model features, optional extras and colours shown may not be available, or may only be available in a different specification, or at a different price.

Design	Technology	Plug-in Hybrid	Model lines	Upholstery	Model prices	Mercedes-AMG	Mercedes-AMG upholstery	Mercedes-AMG prices	Personalisation	Standard equipment	Genuine accessories	Technical data	Additional information
--------	------------	----------------	-------------	------------	--------------	--------------	-------------------------	---------------------	-----------------	--------------------	---------------------	----------------	------------------------



GLC

# Technology

Some of the model features, optional extras and colours shown may not be available, or may only be available in a different specification, or at a different price.



Book a test drive



Find your GLC



Find a Showroom

# Mercedes-Benz User Experience (MBUX)

Transforming the in-car user experience, thanks to MBUX: Controlled via voice or touch input, the innovative infotainment system can over time even predict personal habits thanks to artificial intelligence.



## Voice control

- Activated by the keywords “Hey Mercedes”, the new intelligent voice control LINGUATRONIC<sup>1</sup> lets you control many of the infotainment functions, including destination input, phone calls or music selection
- MBUX is able to understand different accents and will adjust to you over time
- MBUX even understands indirect commands. Feeling chilly? Just say “I feel cold” and MBUX will adjust the temperature for you

## Personalisation

- Turn the GLC into your very own Mercedes-Benz by personalising driving modes, radio stations and much more
- Your personal settings can be saved in up to seven different profiles, making your driving experience the best one possible
- Thanks to artificial intelligence, MBUX is able to learn and adapt over time. It will be able to predict your personal habits, such as navigation for frequently-driven routes, or the radio station you like to listen to on your way home from work

## Touch inputs

- Beside voice control you can operate MBUX via touchscreen, as well as touch control buttons on the steering wheel

## Maintenance and service

- Wondering when the next service is due? Or how much further you can drive until you need to stop at a petrol station? Just ask your MBUX – it will tell you the answer

<sup>1</sup>Some of the model features, optional extras and colours shown may not be available, or may only be available in a different specification, or at a different price. <sup>1</sup>LINGUATRONIC off-board functions are currently only available for three years

The connection of the communication module to the mobile phone network including the emergency call system depends on the respective network coverage and availability of network providers

Design	Technology	Plug-in Hybrid	Model lines	Upholstery	Model prices	Mercedes-AMG	Mercedes-AMG upholstery	Mercedes-AMG prices	Personalisation	Standard equipment	Genuine accessories	Technical data	Additional information
--------	------------	----------------	-------------	------------	--------------	--------------	-------------------------	---------------------	-----------------	--------------------	---------------------	----------------	------------------------

# DIGITAL LIGHT

High-definition headlamps with innovative features

● Standard    – Not available

The innovative DIGITAL LIGHT headlamps works like a projector with more than one million pixels per headlamp and responds with brilliant light to changing traffic, road or weather conditions. Its ULTRA RANGE Highbeam with 650 m makes you feel like driving at daylight.



Model line	DIGITAL LIGHT	DIGITAL LIGHT with projection function
Urban Edition	–	–
AMG Line	–	–
AMG Line Premium	●	–
AMG Line Premium Plus	●	–
Mercedes-AMG GLC43 4MATIC AMG Premium	●	–
Mercedes-AMG GLC43 4MATIC Night Edition AMG Premium Plus	●	–
Mercedes-AMG GLC43 4MATIC Edition Midnight	–	●
Mercedes-AMG GLC63 S E PERFORMANCE 4MATIC+ AMG Premium	●	–
Mercedes-AMG GLC63 S E PERFORMANCE 4MATIC+ AMG Night Edition Premium Plus	●	–



# Digital Extras Stay connected any time, anywhere.

Digital Extras are a range of innovative online services designed to enhance your Mercedes-Benz experience. Accessible via mobile, tablet or PC, Digital Extras let you enjoy the highest standards of care and support, in a way that integrates seamlessly with your busy lifestyle.

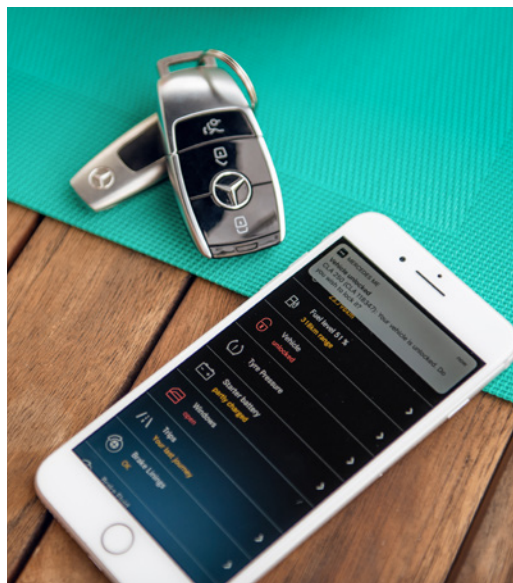
**Safety and Service – Digital Extras help to keep you and your car safe**  
 Check your car's oil level, tyre pressure and fuel from your phone so you'll be ready for every journey.



**Live Traffic Information, Parked Vehicle Locator and much more**  
 Forgot where you've parked? Parked Vehicle Locator<sup>1</sup> will show you exactly where your car is as long as you're in a 1-mile radius of where you parked. Real-time traffic data and dynamic route with shorter journey times.

For more information speak to your local Mercedes-Benz Agent or visit the Mercedes-Benz store at [shop.mercedes-benz.com/en-gb/connect](http://shop.mercedes-benz.com/en-gb/connect)

**Comfort – connect to your car anytime, anywhere**  
 Forgot to lock your car? With Remote Car Lock<sup>2</sup> you will receive a notification on your smartphone to let you know. With one tap, you can lock and unlock your vehicle so you never have to worry.



The connection of the communication module to the mobile phone network including the emergency call system depends on the respective network coverage and availability of network providers  
<sup>1</sup>Available on all models with the Vehicle Monitoring package. This option may vary between standard and additional cost dependent on the model  
<sup>2</sup>Part of the Vehicle Status package. This option may vary between standard and additional cost dependent on the model  
 Images shown are for illustration purposes only

Design	Technology	Plug-in Hybrid	Model lines	Upholstery	Model prices	Mercedes-AMG	Mercedes-AMG upholstery	Mercedes-AMG prices	Personalisation	Standard equipment	Genuine accessories	Technical data	Additional information
--------	------------	----------------	-------------	------------	--------------	--------------	-------------------------	---------------------	-----------------	--------------------	---------------------	----------------	------------------------

GLC

# Plug-in Hybrid



[Book a test drive](#)[Find your GLC](#)[Find a Showroom](#)

# Plug-in Hybrid Electric Vehicles (PHEVs) The GLC 300 e and GLC 300 de.

Plug-in hybrid vehicles enjoy the same functionality of full Hybrid technology, with the added benefit that they can be charged from an external electricity source.

## GLC 300 e 4MATIC

Petrol – 1,999 cc, 4-cylinder, 204 hp/150 kW  
Electric motor – 136 hp/100 kW

SUV OTR from **£58,860<sup>1</sup>**  
Coupé OTR from **£65,360<sup>1</sup>**

## GLC 300 de 4MATIC

Diesel – 1,993 cc, 4-cylinder, 197 hp/145 kW  
Electric motor – 136 hp/100 kW

SUV OTR from **£61,110<sup>1</sup>**

**Available as:** Urban Edition, AMG Line, AMG Line Premium and AMG Line Premium Plus

### Standard equipment

Charging cable – Mode 2 cable (5 metres, straight) for domestic socket

Charging cable – Mode 3 cable (5 metres, straight) for wallbox and public charging stations

Charging socket

Charging system – DC charging system rated at 60 kW

Charging system – AC charging system rated at 11kW

Pre-entry climate control<sup>2</sup>

Radar-based recuperation

Remote and Charging Services Plus<sup>2</sup>

### Technical details

	SUV	Coupé
Equivalent All-Electric Range (EAER) <sup>3</sup>	71-78 miles	76-77 miles
Charging time		
DC charging (60 kW DC) 10-80% <sup>4</sup>	20 mins	20 mins
Wallbox (11 kW AC) 10-100% <sup>5</sup>	2 hrs 45 mins	2 hrs 45 mins
Range power consumption, combined <sup>3,6</sup>	226-251 kWh/100 km	224-246 kWh/100 km
Battery type (capacity)	lithium-ion (24.8 kWh)	lithium-ion (24.8 kWh)
Capacity on-board charger	11 kW AC/60 kW DC	11 kW AC/60 kW DC



<sup>1</sup>The recommended on-the-road price includes the Road Fund Licence applicable to the standard model plus delivery charge (£730.00 incl. VAT), new vehicle registration fee (£55.00), fuel (£50.00 incl. VAT), and number plates (£25.00 incl. VAT). VAT is calculated at the standard rate of 20%. Some of the model features, optional extras and colours shown may not be available, or may only be available in a different specification, or at a different price <sup>2</sup>The connection of the communication module to the mobile phone network including the emergency call system depends on the respective network coverage and availability of network providers <sup>3</sup>The indicated values were determined according to the prescribed measurement method - Worldwide Harmonised Light Vehicle Test Procedure (WLTP). Figures shown may include options which are not available in the UK. For Plug-in Hybrid Electric Vehicle (PHEV) figures determined with the battery fully charged, using a combination of both battery power and fuel. These models require mains electricity for charging <sup>4</sup>Specified voltage and current values refer to network infrastructure and can be limited by the vehicle. Times are from 10-80% charge using a wallbox (three-phase) or standard socket (single-phase) <sup>5</sup>Specified voltage and current values refer to network infrastructure and can be limited by the vehicle. Times are from 10-100% charge using a wallbox (three-phase) or standard socket (single-phase) <sup>6</sup>The certified electrical consumption is generally determined at maximum AC charging capacity using a Mode 3 cable. It is therefore recommended that vehicles with a HV battery preferably be charged at a wallbox or an AC charging station with a Mode 3 cable in order to achieve shorter charging times and improved charging efficiency

Design	Technology	Plug-in Hybrid	Model lines	Upholstery	Model prices	Mercedes-AMG	Mercedes-AMG upholstery	Mercedes-AMG prices	Personalisation	Standard equipment	Genuine accessories	Technical data	Additional information
--------	------------	----------------	-------------	------------	--------------	--------------	-------------------------	---------------------	-----------------	--------------------	---------------------	----------------	------------------------

# Plug-in Hybrid Electric Vehicles (PHEVs) The GLC 63 S E PERFORMANCE 4MATIC+.

Plug-in hybrid vehicles enjoy the same functionality of full Hybrid technology, with the added benefit that they can be charged from an external electricity source.

## Mercedes-AMG GLC 63 S E PERFORMANCE 4MATIC+

Petrol – 1,991cc, 4-cylinder, 476 hp/350 kW  
Electric motor – 204 hp/150 kW

**Available as:** AMG Premium and AMG Night Edition Premium Plus

SUV OTR from **£109,030<sup>1</sup>**  
Coupé OTR from **£111,030<sup>1</sup>**

### Standard equipment

Charging cable – Mode 2 cable (5 metres, straight) for domestic socket

Charging cable – Mode 3 cable (5 metres, straight) for wallbox and public charging stations

Charging socket

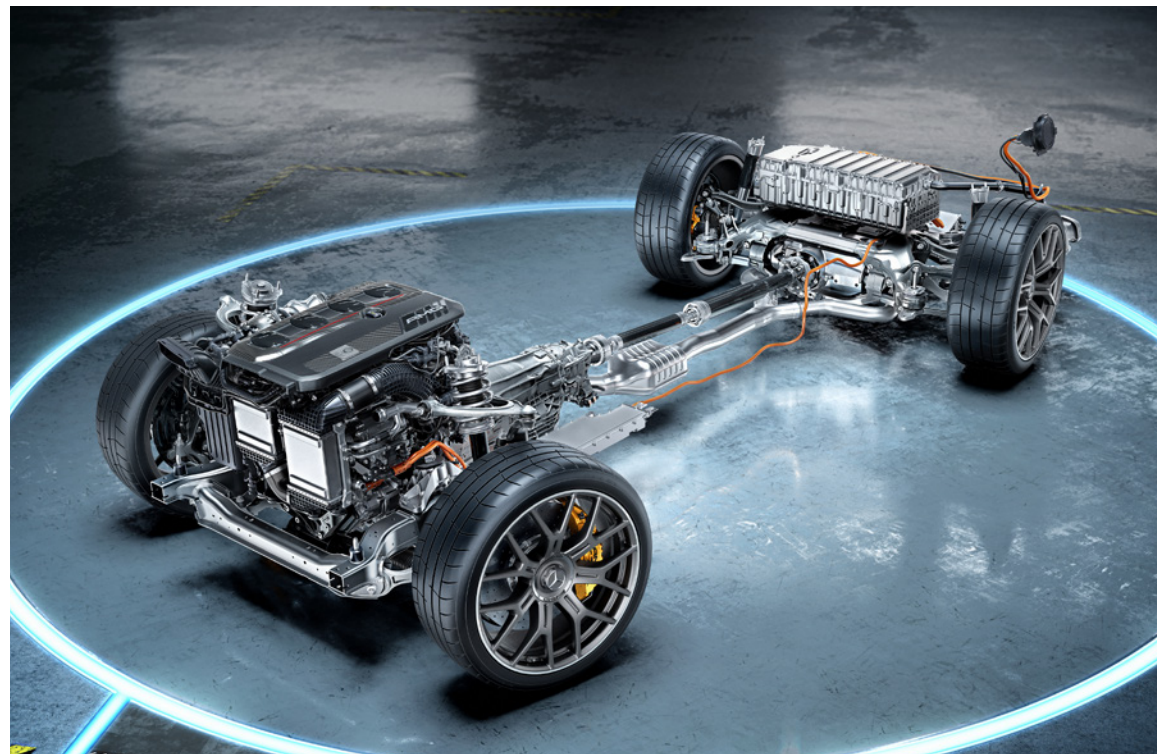
Charging system – AC charging system rated at 3.7 kW AC

Pre-entry climate control<sup>2</sup>

Radar-based recuperation

Remote and Charging Services Plus<sup>2</sup>

Technical details	SUV	Coupé
Equivalent All-Electric Range (EAER) <sup>3</sup>	7 miles	7 miles
Charging time		
Wallbox (3.7 kW AC) 25–80% <sup>4</sup>	1hr 40 mins	1hr 40 mins
Range power consumption, combined <sup>3,5</sup>	127 kWh/100 km	127 kWh/100 km
Battery type (capacity)	lithium-ion (4.8 kWh)	lithium-ion (4.8 kWh)
Capacity on-board charger	3.7 kW AC	3.7 kW AC



<sup>1</sup>The recommended on-the-road price includes the Road Fund Licence applicable to the standard model plus delivery charge (£730.00 incl. VAT), new vehicle registration fee (£55.00), fuel (£50.00 incl. VAT), and number plates (£25.00 incl. VAT). VAT is calculated at the standard rate of 20%. Some of the model features, optional extras and colours shown may not be available, or may only be available in a different specification, or at a different price. <sup>2</sup>The connection of the communication module to the mobile phone network including the emergency call system depends on the respective network coverage and availability of network providers. <sup>3</sup>The indicated values were determined according to the prescribed measurement method - Worldwide Harmonised Light Vehicle Test Procedure (WLTP). Figures shown may include options which are not available in the UK. For Plug-in Hybrid Electric Vehicle (PHEV) figures determined with the battery fully charged, using a combination of both battery power and fuel. These models require mains electricity for charging. <sup>4</sup>Specified voltage and current values refer to network infrastructure and can be limited by the vehicle. Times are from 25–80% charge using a wallbox (three-phase) or standard socket (single-phase). <sup>5</sup>The certified electrical consumption is generally determined at maximum AC charging capacity using a Mode 3 cable. It is therefore recommended that vehicles with a HV battery preferably be charged at a wallbox or an AC charging station with a Mode 3 cable in order to achieve shorter charging times and improved charging efficiency.

# Mercedes me Charge<sup>1</sup> One registration, one contract, one billing.

Mercedes me Charge<sup>1</sup> provides access to a multitude of public charging stations located in shopping centres, hotels or at motorway services. A smartphone app as well as the vehicle's navigation system show the precise location, current availability and price at the selected charging station.

## Tens of thousands charging stations in the UK

Growing network of charging providers includes bp pulse the largest charging network in the UK. Customers also get six months free bp pulse+ membership which reduces the electricity price when charging.



## Access to fast-charging stations

Enables customers to get access to charging stations of different providers with:

- Mercedes-Benz app
- RFID card
- Vehicle Head unit

## Green charging

All charging using Mercedes me Charge<sup>1</sup> will be retrospectively 'greened' by Mercedes-Benz. Please click [here](#) for more info.

## Transparent and easy billing

One invoice charging processes for payment.

## Easy access

Charging stations are displayed in Mercedes-Benz app and in MBUX multimedia system.

## No fees

Mercedes me Charge<sup>1</sup> is standard for one year with discounted IONITY rapid-charging for one year.



<sup>1</sup>The connection of the communication module to the mobile phone network including the emergency call system depends on the respective network coverage and availability of network providers you not wish to continue with the tariff, your cancellation rights and current pricing can be found <https://eu.charge.mercedes.me/web/en/daimler-gb/tariffs>

Price information is not guaranteed and is subject to change. Please be aware that this tariff will automatically renew after the 1 year promotion period - for definitive pricing information or should

# Mercedes me Charge<sup>1</sup> Tariffs

For more transparency and predictability, enjoy numerous features tailored to your charging habits with the new Mercedes me Charge<sup>1</sup> fixed-priced tariffs S, M and L. Owners of a new Plug-in Hybrid model will be entitled to the Mercedes me Charge<sup>1</sup> tariff M free of charge for the duration of 12 months.

## Tariff L

Recommended for 'frequent drivers'

Choose our tariff L to benefit from the best fixed prices for public charging, including discounted rapid-charging at IONITY charging stations as well as all Mercedes me Charge<sup>1</sup> features. This tariff is recommended for frequent and long-distance drivers.

Consisting of:

- All Mercedes me Charge<sup>1</sup> features
- Fixed prices per kWh (AC: £0.45/kWh, after 300 mins + £0.06/min; DC: £0.59/kWh)<sup>2</sup>
- IONITY rapid-charging stations discounted (£0.59/kWh)

**£10.90/month**

## Tariff M

Recommended for 'regular drivers'

Should you wish to downgrade your tariff package after 12 months but still want to benefit from fixed prices, discounted rapid-charging at IONITY charging stations and complete transparency, choose tariff M. This tariff is recommended for regular drivers.

Consisting of:

- All Mercedes me Charge<sup>1</sup> features
- Fixed prices per kWh (AC: £0.52/kWh, after 300 mins + £0.06/min; DC: £0.67/kWh)<sup>2</sup>
- IONITY rapid-charging stations discounted (£0.67/kWh)

**Free of charge for the duration of 12 months.**

**Thereafter:**

**£4.90/month**

## Tariff S

Recommended for 'casual drivers'

Should you wish to downgrade your tariff package after 12 months, there is the option to go for tariff S, which still offers you all the Mercedes me Charge<sup>1</sup> features based on flexible prices per kWh. This tariff is recommended for casual drivers.

Consisting of:

- All Mercedes me Charge<sup>1</sup> features
- Flexible prices per kWh

**£0/month**



<sup>1</sup>The connection of the communication module to the mobile phone network including the emergency call system depends on the respective network coverage and availability of network providers  
promotion period - for definitive pricing information or should you not wish to continue with the tariff, your cancellation rights and current pricing can be found <https://eu.charge.mercedes.me/web/en/daimler-gb/tariffs>

<sup>2</sup>Tariff rate excludes the BP Pulse charging network

Price information is not guaranteed and is subject to change. Please be aware that this tariff will automatically renew after the 1 year

# Next generation of home EV charging with Ohme

Mercedes-Benz plug-in vehicle customers with off-street parking can benefit from the convenience and speed of charging at home by installing an Ohme charger.

## Home charging with Ohme: from £925\* incl. VAT and standard installation

### Key benefits of Ohme:

Ohme specialise in providing future-proof electric vehicle charging solutions, in particular smart, affordable and easy-to-use charging products.

Save money: If you have a time-of-use tariff or a variable tariff, you'll pay less for your electricity at certain times of the day. Ohme uses your tariff information to charge your vehicle when the price is low to maximise your savings.

Ohme is the only EV charging provider to integrate with all energy tariffs, including Intelligent Octopus and OVO Charge Anytime – the next generation, smart EV charging tariffs.

Easy installation process.

Choice of tethered or untethered units.

Award-winning customer service – check Trustpilot for more information.

A 3-year warranty is included.

Connect your charger to the Ohme smartphone app to unlock smarter and cheaper charging at home. Easy-to-use, the Ohme app will give you full control to get more from your EV.

Ohme's chargers are compliant with the UK New Smart Charger Regulations for complete peace of mind.

### OZEV Grant:

You may be entitled to claim for an OZEV grant towards the cost of your home charger!  
To find out whether you are entitled please contact your local Mercedes-Benz Agent.

### Questions?

Please contact your local Mercedes-Benz Agent to submit an enquiry to your chosen charging partner on your behalf. To find your local Mercedes-Benz Agent, please click the button at the top right hand corner.

### Warning!

If you are planning to charge your Mercedes-Benz plug-in electric vehicle using a 3-pin domestic plug socket you must get a qualified electrician to inspect and sign off the socket to confirm it is safe and suitable to charge your vehicle. Do not use an electric vehicle 3-pin charge cable with an extension cord.



\*Price excludes £350 OZEV EVHS Grant. Price correct at time of publication, subject to change  
 †The home charger £350 Grant (including VAT) is only available to customers who meet the criteria of the Office for Zero Emission Vehicles (OZEV). For full details and eligibility criteria for the OZEV EVHS Grant, see <https://www.gov.uk/government/publications/electric-vehicle-homecharge-scheme-guidance-for-customers-version-21>.

# Home charging with Pod Point Simple, convenient, fast charging.



Mercedes-Benz plug-in vehicle customers with off-street parking can benefit from the convenience and speed of charging at home by installing a Pod Point home charger.

## Home charging with Pod Point: from £925\* incl. VAT and standard installation

For full terms and conditions please visit <https://pod-point.com/legal/home-charger-terms-of-sale>

### Key benefits of Pod Point:

Pod Point is one of the leading provider of EV charging in the UK with over 200,000 home chargepoints installed.

A comprehensive 3 year 'swap out' warranty is included.

Auto Power Balancing lets you adjust your charge so that your electrical supply doesn't get overloaded when your home is using a lot of energy.

Built-in earthing protection removes the needs for expensive earth rods.

Choice of tethered or untethered units; £925 for a 7 kW universal, and £975 for 7 kW tethered.

The Pod Point public network consists of over 9,200 charging bays across the UK.

5 year warranty as standard, free of charge.

The standard installation package includes up to 15m of external cabling.

Utilise charge scheduling in conjunction with an off-peak EV tariff to reduce your charging costs by 70% compared with the current Energy Price Cap.<sup>1</sup>

### OZEV Grant:

You may be entitled to claim for an OZEV grant towards the cost of your home charger<sup>2</sup>

To find out whether you are entitled please contact your local Mercedes-Benz Agent.

### Questions?

Please contact your local Mercedes-Benz Agent to submit an enquiry to your chosen charging partner on your behalf. To find your local Mercedes-Benz Agent, please click the button at the top right hand corner.

### Warning!

If you are planning to charge your Mercedes-Benz plug-in electric vehicle using a 3-pin domestic plug socket you must get a qualified electrician to inspect and sign off the socket to confirm it is safe and suitable to charge your vehicle. Do not use an electric vehicle 3-pin charge cable with an extension cord.



\*Price excludes £350 OZEV EVHS Grant. Price correct at time of publication, subject to change <sup>1</sup>Based on an off-peak tariff of 8 p/kWh compared with the energy price cap as of 1 October 2023 of 26.92 p/kWh <sup>2</sup>The home charger £350 Grant (including VAT) is only available to customers who meet the criteria of the Office for Zero Emission Vehicles (OZEV). For full details and eligibility criteria for the OZEV EVHS Grant, see <https://www.gov.uk/government/publications/electric-vehicle-homecharge-scheme-guidance-for-customers-version-21>.





Book a test drive



Find your GLC



Find a Showroom

# GLC Model lines overview

## Urban Edition »



## AMG Line »



## AMG Line Premium »



## AMG Line Premium Plus »

Design	Technology	Plug-in Hybrid	Model lines	Upholstery	Model prices	Mercedes-AMG	Mercedes-AMG upholstery	Mercedes-AMG prices	Personalisation	Standard equipment	Genuine accessories	Technical data	Additional information
--------	------------	----------------	-------------	------------	--------------	--------------	-------------------------	---------------------	-----------------	--------------------	---------------------	----------------	------------------------

# GLC Urban Edition Standard equipment highlights



Option shown: verde silver metallic (code 188)

SUV OTR from **£58,860<sup>1</sup>**  
 Coupé OTR from **£65,360<sup>1</sup>**

<sup>1</sup>The recommended on-the-road price includes the Road Fund Licence applicable to the standard model plus delivery charge (£730.00 incl. VAT), new vehicle registration fee (£55.00), fuel (£50.00 incl. VAT), and number plates (£25.00 incl. VAT). VAT is calculated at the standard rate of 20%. Some of the model features, optional extras and colours shown may not be available, or may only be available in a different specification, or at a different price



Option shown: verde silver metallic (code 188)

### Exterior

20" AMG alloy wheels – multi-spoke design, painted black, rim flange with a high-sheen finish (code RVP)

AMG Line exterior

EASY-PACK automatic powered tailgate

LED High Performance headlamps including integral LED daytime running lamps and Adaptive Highbeam Assist

Mirror package

Night package

Radiator grille with integrated Mercedes star and louvre in dark grey matt with chrome inlay and black frame

Roof rails – black (SUV only)

Summer tyres

Two chrome-plated tailpipe trim elements



Design	Technology	Plug-in Hybrid	Model lines	Upholstery	Model prices	Mercedes-AMG	Mercedes-AMG upholstery	Mercedes-AMG prices	Personalisation	Standard equipment	Genuine accessories	Technical data	Additional information
--------	------------	----------------	-------------	------------	--------------	--------------	-------------------------	---------------------	-----------------	--------------------	---------------------	----------------	------------------------



Wireless charging<sup>2</sup>

### Interior

Ambient lighting with projection of brand logo

AMG brushed stainless steel sports pedals with black rubber studs

AMG Line interior

Centre console in silver grey criss-cross look

Floor mats in black with 'AMG' lettering

Partition net

Seat Comfort package

Seats – sports seats with four-way lumbar support and heated front seats

Steering wheel – multifunction sports steering wheel in nappa leather, galvanised gearshift paddles, audio and onboard settings control

THERMATIC two-zone automatic climate control

### Communications, Safety & Assistance Systems

11.9-inch high-resolution multimedia colour display

12.3-inch digital individually configurable instrument display

Active Lane Keeping Assist<sup>1</sup>

Blind Spot Assist

DAB digital radio tuner

Fingerprint scanner

MBUX Navigation Premium

MBUX voice control activated by keywords "Hey Mercedes"

Parking package – Active Park Assist<sup>1</sup> with PARKTRONIC and reversing camera

Smartphone integration<sup>2</sup>

SPEEDTRONIC cruise control with variable speed limiter

USB package

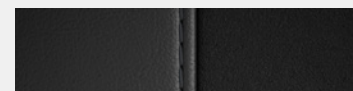
Wireless charging<sup>2</sup>

### Trim and Upholstery

Silver grey diamond pattern



ARTICO man-made leather/MICROCUT microfibre – black



<sup>1</sup>Our driver assistance and safety systems are aids and do not relieve you of your responsibility as the driver. Please take note of the information in the Owner's Manual and the system limits which are described therein <sup>2</sup>Compatible mobile phone required

# GLC AMG Line Standard equipment highlights



Option shown: high-tech silver metallic (code 922)

SUV OTR from **£52,895<sup>1</sup>**  
 Coupé OTR from **£59,395<sup>1</sup>**

<sup>1</sup>The recommended on-the-road price includes the Road Fund Licence applicable to the standard model plus delivery charge (£730.00 incl. VAT), new vehicle registration fee (£55.00), fuel (£50.00 incl. VAT), and number plates (£25.00 incl. VAT). VAT is calculated at the standard rate of 20%. Some of the model features, optional extras and colours shown may not be available, or may only be available in a different specification, or at a different price



Option shown: high-tech silver metallic (code 922)

### Exterior

19" AMG alloy wheels – 5-spoke design, painted black with a high-sheen finish (code RRE)

Aluminium-look running boards with rubber studs

AMG diffuser-look rear apron with insert in chrome

AMG Line exterior

EASY PACK automatic powered tailgate

LED High Performance headlamps including integral LED daytime running lamps and Adaptive Highbeam Assist

Mirror package

Summer tyres





### Interior

Ambient lighting Premium

AMG brushed stainless steel sports pedals with black rubber studs

AMG Line interior

AMG Line interior

Illuminated door sill panels with 'Mercedes-Benz' lettering

Memory package – driver's seat, front passenger seat, steering column – electrically adjustable with memory. Includes exterior mirror with parking position

Seats – sports seats with four-way lumbar support and heated front seats

Steering column – electrically adjustable for height and reach

Steering wheel – multifunction sports steering wheel in nappa leather, galvanised gearshift paddles, audio and onboard settings control

THERMATIC two-zone automatic climate control

### Communications, Safety & Assistance Systems

11.9-inch high-resolution multimedia colour display

12.3-inch digital individually configurable instrument display

Active Lane Keeping Assist<sup>1</sup>

DAB digital radio tuner

Fingerprint scanner

Hard disk navigation with navigation services

MBUX Navigation Premium

MBUX voice control activated by keywords "Hey Mercedes"

Parking package – Active Park Assist<sup>1</sup> with PARKTRONIC and reversing camera

Partition net

Smartphone integration<sup>2</sup>

SPEEDTRONIC cruise control with variable speed limiter

Traffic Sign Assist

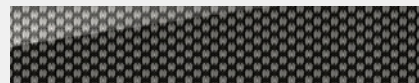
Transparent bonnet

USB package Plus

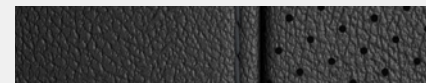
Wireless charging<sup>2</sup>

### Trim and Upholstery

Metal structure



ARTICO man-made leather – black



<sup>1</sup>Our driver assistance and safety systems are aids and do not relieve you of your responsibility as the driver. Please take note of the information in the Owner's Manual and the system limits which are described therein

<sup>2</sup>Compatible mobile phone required

# GLC AMG Line Premium Standard equipment highlights



Option shown: graphite grey metallic (code 831)



Option shown: graphite grey metallic (code 831)



Adaptive Highbeam Assist Plus



DIGITAL LIGHT



SUV OTR from **£57,895<sup>1</sup>**  
 Coupé OTR from **£64,395<sup>1</sup>**  
 Upgrade price from AMG Line **£5,000**

In addition to/replacement of AMG Line:

**Exterior**

20" AMG alloy wheels – 5-spoke design, painted black with a high-sheen finish (code RRN)

DIGITAL LIGHT with Adaptive Highbeam Assist Plus

Heat- and noise-insulating acoustic glass

Panoramic sliding sunroof

Summer tyres

<sup>1</sup>The recommended on-the-road price includes the Road Fund Licence applicable to the standard model plus delivery charge (£730.00 incl. VAT), new vehicle registration fee (£55.00), fuel (£50.00 incl. VAT), and number plates (£25.00 incl. VAT). VAT is calculated at the standard rate of 20%. Some of the model features, optional extras and colours shown may not be available, or may only be available in a different specification, or at a different price

Design	Technology	Plug-in Hybrid	Model lines	Upholstery	Model prices	Mercedes-AMG	Mercedes-AMG upholstery	Mercedes-AMG prices	Personalisation	Standard equipment	Genuine accessories	Technical data	Additional information
--------	------------	----------------	-------------	------------	--------------	--------------	-------------------------	---------------------	-----------------	--------------------	---------------------	----------------	------------------------



Parking package with 360° camera

### Interior

KEYLESS-GO Comfort package

KEYLESS-GO entry and starting function

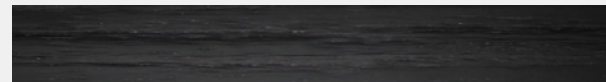
### Communications, Safety and Assistance Systems

Parking package – Active Park Assist<sup>1</sup> with PARKTRONIC and 360° camera

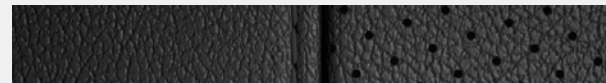
Transparent bonnet

### Trim and Upholstery

Anthracite linestructure lime wood trim



ARTICO man-made leather – black



<sup>1</sup>Our driver assistance and safety systems are aids and do not relieve you of your responsibility as the driver. Please take note of the information in the Owner's Manual and the system limits which are described therein

Design	Technology	Plug-in Hybrid	Model lines	Upholstery	Model prices	Mercedes-AMG	Mercedes-AMG upholstery	Mercedes-AMG prices	Personalisation	Standard equipment	Genuine accessories	Technical data	Additional information
--------	------------	----------------	-------------	------------	--------------	--------------	-------------------------	---------------------	-----------------	--------------------	---------------------	----------------	------------------------

# GLC AMG Line Premium Plus Standard equipment highlights



Option shown: spectral blue metallic (code 970)



Option shown: spectral blue (code 970)

In addition to/replacement of AMG Line Premium:

### Exterior

20" AMG alloy wheels – multi-spoke design, painted black with a high-sheen finish (code RVO)

Summer tyres



SUV OTR from **£62,895<sup>1</sup>**  
Coupé OTR from **£69,395<sup>1</sup>**  
Upgrade price from AMG Line Premium **£5,000**

<sup>1</sup>The recommended on-the-road price includes the Road Fund Licence applicable to the standard model plus delivery charge (£730.00 incl. VAT), new vehicle registration fee (£55.00), fuel (£50.00 incl. VAT), and number plates (£25.00 incl. VAT). VAT is calculated at the standard rate of 20%. Some of the model features, optional extras and colours shown may not be available, or may only be available in a different specification, or at a different price

Design	Technology	Plug-in Hybrid	Model lines	Upholstery	Model prices	Mercedes-AMG	Mercedes-AMG upholstery	Mercedes-AMG prices	Personalisation	Standard equipment	Genuine accessories	Technical data	Additional information
--------	------------	----------------	-------------	------------	--------------	--------------	-------------------------	---------------------	-----------------	--------------------	---------------------	----------------	------------------------





Head-up display



Burmester® 3D surround sound system

**Communications, Safety and Assistance Systems**

Burmester® 3D surround sound system with sound personalisation

Head-up display

**Interior**

AIR-BALANCE package – fragrance generator with function button in glove box and filled fragrance bottle, ioniser in the side air duct, improved filter system between the intake area and the air distribution system of the air conditioner

Comfort seats

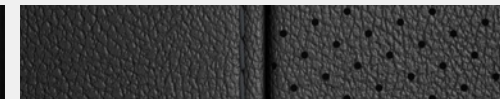
ENERGIZING package Plus – 7 ENERGIZING comfort programmes, ENERGIZING COACH, multicontour seats for driver and front passenger, climatised seats for driver and front passenger, seat heating and AIR BALANCE package

Heated steering wheel

**Trim and Upholstery**

Trim – black open-pore aluminium lines wood trim

ARTICO man-made leather – black



Design	Technology	Plug-in Hybrid	Model lines	Upholstery	Model prices	Mercedes-AMG	Mercedes-AMG upholstery	Mercedes-AMG prices	Personalisation	Standard equipment	Genuine accessories	Technical data	Additional information
--------	------------	----------------	-------------	------------	--------------	--------------	-------------------------	---------------------	-----------------	--------------------	---------------------	----------------	------------------------

# Upholstery

● Standard   □ No-cost option   – Not available



**601A ARTICO man-made leather/MICROCUT microfibre - black**

Sports seats

Urban Edition	●
AMG Line	–
AMG Line Premium	–
AMG Line Premium Plus	–



**111A ARTICO man-made leather - black**

Sports seats

Urban Edition	–
AMG Line	●
AMG Line Premium	●
AMG Line Premium Plus	–



**118A ARTICO man-made leather - neva grey/black**

Sports seats

Urban Edition	–
AMG Line	□
AMG Line Premium	□
AMG Line Premium Plus	–

# Upholstery

Standard
  No-cost option
  Not available



**194A ARTICO man-made leather – sienna brown/black**

Sports seats

Urban Edition	–
AMG Line	<input type="checkbox"/>
AMG Line Premium	<input type="checkbox"/>
AMG Line Premium Plus	–



**101A ARTICO man-made leather – black**

Comfort seats

Urban Edition	–
AMG Line	–
AMG Line Premium	–
AMG Line Premium Plus	<input checked="" type="checkbox"/>

[Book a test drive](#)[Find your GLC](#)[Find a Showroom](#)

# Model prices SUV

Model line	Engine	Transmission	CO <sub>2</sub> WLTP <sup>1*</sup>	Basic RRP excl. VAT (£)	Total RRP incl. VAT (£)	Road Fund Licence (£) <sup>2</sup> WLTP	Rec. OTR price (£) <sup>3</sup> WLTP	P11D value (£)	BiK tax rate 2024/25 (%) <sup>2</sup>
<b>Urban Edition</b>									
GLC 300 e 4MATIC	Petrol – 1,999 cc, 4-cylinder, 204 hp/150 kW Electric motor – 136 hp/100 kW	9G-TRONIC PLUS 9-speed auto.	13	48,333.33	58,000.00	0.00	<b>58,860.00</b>	58,805.00	5
GLC 300 de 4MATIC	Diesel – 1,993 cc, 4-cylinder, 197 hp/145 kW Electric motor – 136 hp/100 kW	9G-TRONIC PLUS 9-speed auto.	12	50,208.33	60,250.00	0.00	<b>61,110.00</b>	61,055.00	5
<b>AMG Line</b>									
GLC 220 d 4MATIC	Diesel – 1,993 cc, 4-cylinder, 197 hp/145 kW Mild hybrid drive – 22 hp/17 kW	9G-TRONIC PLUS 9-speed auto.	140	43,145.83	51,775.00	260.00	<b>52,895.00</b>	52,580.00	33
GLC 300 4MATIC	Petrol – 1,999 cc, 4-cylinder, 258 hp/190 kW Mild hybrid drive – 22 hp/17 kW	9G-TRONIC PLUS 9-speed auto.	167	44,166.67	53,000.00	670.00	<b>54,530.00</b>	53,805.00	37
GLC 300 e 4MATIC	Petrol – 1,999 cc, 4-cylinder, 204 hp/150 kW Electric motor – 136 hp/100 kW	9G-TRONIC PLUS 9-speed auto.	13	52,083.33	62,500.00	0.00	<b>63,360.00</b>	63,305.00	5
GLC 300 de 4MATIC	Diesel – 1,993 cc, 4-cylinder, 197 hp/145 kW Electric motor – 136 hp/100 kW	9G-TRONIC PLUS 9-speed auto.	12	53,958.33	64,750.00	0.00	<b>65,610.00</b>	65,555.00	5

<sup>1</sup>The indicated values were determined according to the prescribed measurement method - Worldwide Harmonised Light Vehicle Test Procedure (WLTP). Figures shown may include options which are not available in the UK. For Plug-in Hybrid Electric Vehicle (PHEV) figures determined with the battery fully charged, using a combination of both battery power and fuel. These models require mains electricity for charging. <sup>2</sup>Figures shown are for comparability purposes; only compare with other cars tested to the same technical procedures. Figures may not reflect real life driving results, which will depend upon a number of factors including factory-fitted options, accessories fitted (post registration), variations in weather, driving styles and vehicle load. Further information about the test used to establish fuel consumption and CO<sub>2</sub> figures can be found at <http://www.mercedes-benz.co.uk/WLTP>. <sup>3</sup>A different first year rate of Vehicle Excise Duty (Road Fund Licence) applies for new cars. Please refer to page 88 for the relevant rate for the second and subsequent years. <sup>4</sup>The recommended on-the-road price includes the Road Fund Licence applicable to the standard model plus delivery charge (£730.00 incl. VAT), new vehicle registration fee (£55.00), fuel (£50.00 incl. VAT), and number plates (£25.00 incl. VAT). VAT is calculated at the standard rate of 20%. Some of the model features, optional extras and colours shown may not be available, or may only be available in a different specification, or at a different price.

Design	Technology	Plug-in Hybrid	Model lines	Upholstery	Model prices	Mercedes-AMG	Mercedes-AMG upholstery	Mercedes-AMG prices	Personalisation	Standard equipment	Genuine accessories	Technical data	Additional information
--------	------------	----------------	-------------	------------	--------------	--------------	-------------------------	---------------------	-----------------	--------------------	---------------------	----------------	------------------------



# Model prices SUV

Model line	Engine	Transmission	CO <sub>2</sub> WLTP <sup>1,*</sup>	Basic RRP excl. VAT (£)	Total RRP incl. VAT (£)	Road Fund Licence (£) <sup>2</sup> WLTP	Rec. OTR price (£) <sup>3</sup> WLTP	P11D value (£)	BiK tax rate 2024/25 (%) <sup>2</sup>
<b>AMG Line Premium</b>									
GLC 220 d 4MATIC	Diesel – 1,993 cc, 4-cylinder, 197 hp/145 kW Mild hybrid drive – 22 hp/17 kW	9G-TRONIC PLUS 9-speed auto.	141	47,312.50	56,775.00	260.00	<b>57,895.00</b>	57,580.00	33
GLC 300 4MATIC	Petrol – 1,999 cc, 4-cylinder, 258 hp/190 kW Mild hybrid drive – 22 hp/17 kW	9G-TRONIC PLUS 9-speed auto.	168	48,333.33	58,000.00	670.00	<b>59,530.00</b>	58,805.00	37
GLC 300 d 4MATIC	Diesel – 1,993 cc, 4-cylinder, 269 hp/198 kW Mild hybrid drive – 22 hp/17 kW	9G-TRONIC PLUS 9-speed auto.	151	50,229.17	60,275.00	670.00	<b>61,805.00</b>	61,080.00	35
GLC 300 e 4MATIC	Petrol – 1,999 cc, 4-cylinder, 204 hp/150 kW Electric motor – 136 hp/100 kW	9G-TRONIC PLUS 9-speed auto.	13	56,250.00	67,500.00	0.00	<b>68,360.00</b>	68,305.00	5
GLC 300 de 4MATIC	Diesel – 1,993 cc, 4-cylinder, 197 hp/145 kW Electric motor – 136 hp/100 kW	9G-TRONIC PLUS 9-speed auto.	13	58,125.00	69,750.00	0.00	<b>70,610.00</b>	70,555.00	5
<b>AMG Line Premium Plus</b>									
GLC 220 d 4MATIC	Diesel – 1,993 cc, 4-cylinder, 197 hp/145 kW Mild hybrid drive – 22 hp/17 kW	9G-TRONIC PLUS 9-speed auto.	142	51,479.17	61,775.00	260.00	<b>62,895.00</b>	62,580.00	33
GLC 300 4MATIC	Petrol – 1,999 cc, 4-cylinder, 258 hp/190 kW Mild hybrid drive – 22 hp/17 kW	9G-TRONIC PLUS 9-speed auto.	174	52,500.00	63,000.00	670.00	<b>64,530.00</b>	63,805.00	37
GLC 300 d 4MATIC	Diesel – 1,993 cc, 4-cylinder, 269 hp/198 kW Mild hybrid drive – 22 hp/17 kW	9G-TRONIC PLUS 9-speed auto.	152	54,395.83	65,275.00	670.00	<b>66,805.00</b>	66,080.00	35
GLC 300 e 4MATIC	Petrol – 1,999 cc, 4-cylinder, 204 hp/150 kW Electric motor – 136 hp/100 kW	9G-TRONIC PLUS 9-speed auto.	13	60,416.67	72,500.00	0.00	<b>73,360.00</b>	73,305.00	5
GLC 300 de 4MATIC	Diesel – 1,993 cc, 4-cylinder, 197 hp/145 kW Electric motor – 136 hp/100 kW	9G-TRONIC PLUS 9-speed auto.	13	62,291.67	74,750.00	0.00	<b>75,610.00</b>	75,555.00	5

<sup>1</sup>The indicated values were determined according to the prescribed measurement method – Worldwide Harmonised Light Vehicle Test Procedure (WLTP). Figures shown may include options which are not available in the UK. For Plug-in Hybrid Electric Vehicle (PHEV) figures determined with the battery fully charged, using a combination of both battery power and fuel. These models require mains electricity for charging. <sup>2</sup>Figures shown are for comparability purposes; only compare with other cars tested to the same technical procedures. Figures may not reflect real life driving results, which will depend upon a number of factors including factory-fitted options, accessories fitted (post registration), variations in weather, driving styles and vehicle load. Further information about the test used to establish fuel consumption and CO<sub>2</sub> figures can be found at <http://www.mercedes-benz.co.uk/WLTP>. <sup>3</sup>A different first year rate of Vehicle Excise Duty (Road Fund Licence) applies for new cars. Please refer to page 88 for the relevant rate for the second and subsequent years. <sup>4</sup>The recommended on-the-road price includes the Road Fund Licence applicable to the standard model plus delivery charge (£730.00 incl. VAT), new vehicle registration fee (£55.00), fuel (£50.00 incl. VAT), and number plates (£25.00 incl. VAT). VAT is calculated at the standard rate of 20%. Some of the model features, optional extras and colours shown may not be available, or may only be available in a different specification, or at a different price.

Design	Technology	Plug-in Hybrid	Model lines	Upholstery	Model prices	Mercedes-AMG	Mercedes-AMG upholstery	Mercedes-AMG prices	Personalisation	Standard equipment	Genuine accessories	Technical data	Additional information
--------	------------	----------------	-------------	------------	--------------	--------------	-------------------------	---------------------	-----------------	--------------------	---------------------	----------------	------------------------

[Book a test drive](#)[Find your GLC](#)[Find a Showroom](#)

# Model prices Coupé

Model line	Engine	Transmission	CO <sub>2</sub> WLTP <sup>1,*</sup>	Basic RRP excl. VAT (€)	Total RRP incl. VAT (€)	Road Fund Licence (€) <sup>2</sup> WLTP	Rec. OTR price (€) <sup>3</sup> WLTP	P11D value (€)	BiK tax rate 2024/25 (%) <sup>2</sup>
<b>Urban Edition</b>									
GLC 300 e 4MATIC	Petrol – 1,999 cc, 4-cylinder, 204 hp/150 kW Electric motor – 136 hp/100 kW	9G-TRONIC PLUS 9-speed auto.	13	53,750.00	64,500.00	0.00	<b>65,360.00</b>	65,305.00	5
<b>AMG Line</b>									
GLC 220 d 4MATIC	Diesel – 1,993 cc, 4-cylinder, 197 hp/145 kW Mild hybrid drive – 22 hp/17 kW	9G-TRONIC PLUS 9-speed auto.	138	48,562.50	58,275.00	260.00	<b>59,395.00</b>	59,080.00	32
GLC 300 4MATIC	Petrol – 1,999 cc, 4-cylinder, 258 hp/190 kW Mild hybrid drive – 22 hp/17 kW	9G-TRONIC PLUS 9-speed auto.	167	49,583.33	59,500.00	670.00	<b>61,030.00</b>	60,305.00	37
GLC 300 e 4MATIC	Petrol – 1,999 cc, 4-cylinder, 204 hp/150 kW Electric motor – 136 hp/100 kW	9G-TRONIC PLUS 9-speed auto.	13	57,500.00	69,000.00	0.00	<b>69,860.00</b>	69,805.00	5
<b>AMG Line Premium</b>									
GLC 220 d 4MATIC	Diesel – 1,993 cc, 4-cylinder, 197 hp/145 kW Mild hybrid drive – 22 hp/17 kW	9G-TRONIC PLUS 9-speed auto.	139	52,729.17	63,275.00	260.00	<b>64,395.00</b>	64,080.00	32
GLC 300 4MATIC	Petrol – 1,999cc, 4-cylinder, 258 hp/190 kW Mild hybrid drive – 22 hp/17 kW	9G-TRONIC PLUS 9-speed auto.	167	53,750.00	64,500.00	670.00	<b>66,030.00</b>	65,305.00	37
GLC 300 d 4MATIC	Diesel – 1,993 cc, 4-cylinder, 269 hp/198 kW Mild hybrid drive – 22 hp/17 kW	9G-TRONIC PLUS 9-speed auto.	149	55,645.83	66,775.00	260.00	<b>67,895.00</b>	67,580.00	34
GLC 300 e 4MATIC	Petrol – 1,999 cc, 4-cylinder, 204 hp/150 kW Electric motor – 136 hp/100 kW	9G-TRONIC PLUS 9-speed auto.	13	61,666.67	74,000.00	0.00	<b>74,860.00</b>	74,805.00	5

<sup>1</sup>The indicated values were determined according to the prescribed measurement method – Worldwide Harmonised Light Vehicle Test Procedure (WLTP). Figures shown may include options which are not available in the UK. For Plug-in Hybrid Electric Vehicle (PHEV) figures determined with the battery fully charged, using a combination of both battery power and fuel. These models require mains electricity for charging. <sup>2</sup>Figures shown are for comparability purposes; only compare with other cars tested to the same technical procedures. Figures may not reflect real life driving results, which will depend upon a number of factors including factory-fitted options, accessories fitted (post registration), variations in weather, driving styles and vehicle load. Further information about the test used to establish fuel consumption and CO<sub>2</sub> figures can be found at <http://www.mercedes-benz.co.uk/WLTP>. <sup>3</sup>A different first year rate of Vehicle Excise Duty (Road Fund Licence) applies for new cars. Please refer to page 88 for the relevant rate for the second and subsequent years. <sup>4</sup>The recommended on-the-road price includes the Road Fund Licence applicable to the standard model plus delivery charge (£730.00 incl. VAT), new vehicle registration fee (£55.00), fuel (£50.00 incl. VAT), and number plates (£25.00 incl. VAT). VAT is calculated at the standard rate of 20%. Some of the model features, optional extras and colours shown may not be available, or may only be available in a different specification, or at a different price.

Design	Technology	Plug-in Hybrid	Model lines	Upholstery	Model prices	Mercedes-AMG	Mercedes-AMG upholstery	Mercedes-AMG prices	Personalisation	Standard equipment	Genuine accessories	Technical data	Additional information
--------	------------	----------------	-------------	------------	--------------	--------------	-------------------------	---------------------	-----------------	--------------------	---------------------	----------------	------------------------

[Book a test drive](#)[Find your GLC](#)[Find a Showroom](#)

# Model prices Coupé

Model line	Engine	Transmission	CO <sub>2</sub> WLTP <sup>1,*</sup>	Basic RRP excl. VAT (£)	Total RRP incl. VAT (£)	Road Fund Licence (£) <sup>2</sup> WLTP	Rec. OTR price (£) <sup>3</sup> WLTP	P11D value (£)	BiK tax rate 2024/25 (%) <sup>2</sup>
<b>AMG Line Premium Plus</b>									
GLC 220 d 4MATIC	Diesel - 1,993 cc, 4-cylinder, 197 hp/145 kW Mild hybrid drive - 22 hp/17 kW	9G-TRONIC PLUS 9-speed auto.	139	56,895.83	68,275.00	260.00	<b>69,395.00</b>	69,080.00	32
GLC 300 4MATIC	Petrol - 1,999cc, 4-cylinder, 258 hp/190 kW Mild hybrid drive - 22 hp/17 kW	9G-TRONIC PLUS 9-speed auto.	168	57,916.67	69,500.00	670.00	<b>71,030.00</b>	70,305.00	37
GLC 300 d 4MATIC	Diesel - 1,993 cc, 4-cylinder, 269 hp/198 kW Mild hybrid drive - 22 hp/17 kW	9G-TRONIC PLUS 9-speed auto.	150	59,812.50	71,775.00	260.00	<b>72,895.00</b>	72,580.00	35
GLC 300 e 4MATIC	Petrol - 1,999 cc, 4-cylinder, 204 hp/150 kW Electric motor - 136 hp/100 kW	9G-TRONIC PLUS 9-speed auto.	13	65,833.33	79,000.00	0.00	<b>79,860.00</b>	79,805.00	5

<sup>1</sup>The indicated values were determined according to the prescribed measurement method - Worldwide Harmonised Light Vehicle Test Procedure (WLTP). Figures shown may include options which are not available in the UK. For Plug-in Hybrid Electric Vehicle (PHEV) figures determined with the battery fully charged, using a combination of both battery power and fuel. These models require mains electricity for charging. <sup>2</sup>Figures shown are for comparability purposes; only compare with other cars tested to the same technical procedures. Figures may not reflect real life driving results, which will depend upon a number of factors including factory-fitted options, accessories fitted (post registration), variations in weather, driving styles and vehicle load. Further information about the test used to establish fuel consumption and CO<sub>2</sub> figures can be found at <http://www.mercedes-benz.co.uk/WLTP>. <sup>3</sup>A different first year rate of Vehicle Excise Duty (Road Fund Licence) applies for new cars. Please refer to page 88 for the relevant rate for the second and subsequent years. <sup>4</sup>The recommended on-the-road price includes the Road Fund Licence applicable to the standard model plus delivery charge (£730.00 incl. VAT), new vehicle registration fee (£55.00), fuel (£50.00 incl. VAT), and number plates (£25.00 incl. VAT). VAT is calculated at the standard rate of 20%. Some of the model features, optional extras and colours shown may not be available, or may only be available in a different specification, or at a different price.



Book a test drive



Find your GLC



Find a Showroom

GLC



# Mercedes-AMG



Some of the model features, optional extras and colours shown may not be available, or may only be available in a different specification, or at a different price.

Design	Technology	Plug-in Hybrid	Model lines	Upholstery	Model prices	Mercedes-AMG	Mercedes-AMG upholstery	Mercedes-AMG prices	Personalisation	Standard equipment	Genuine accessories	Technical data	Additional information
--------	------------	----------------	-------------	------------	--------------	--------------	-------------------------	---------------------	-----------------	--------------------	---------------------	----------------	------------------------





Book a test drive



Find your GLC



Find a Showroom

# Mercedes-AMG Model lines overview



**Mercedes-AMG GLC 43 4MATIC Premium »**



**Mercedes-AMG GLC 43 4MATIC Night Edition Premium Plus »**



**Mercedes-AMG GLC 43 4MATIC Edition Midnight »**



**Mercedes-AMG GLC 63 S E PERFORMANCE 4MATIC+ Premium »**



**Mercedes-AMG GLC 63 S E PERFORMANCE 4MATIC+ Night Edition Premium Plus »**



Design	Technology	Plug-in Hybrid	Model lines	Upholstery	Model prices	Mercedes-AMG	Mercedes-AMG upholstery	Mercedes-AMG prices	Personalisation	Standard equipment	Genuine accessories	Technical data	Additional information
--------	------------	----------------	-------------	------------	--------------	--------------	-------------------------	---------------------	-----------------	--------------------	---------------------	----------------	------------------------

# Mercedes-AMG GLC 43 4MATIC Premium

## Standard equipment highlights



Option shown: MANUFAKTUR patagonia red metallic (code 993)

### Engine, Transmission and Suspension

4MATIC permanent four-wheel drive

9G-TRONIC PLUS 9-speed automatic transmission

AMG DYNAMIC SELECT with a choice of five driving modes (Slippery, Comfort, Sport, Sport+, Individual)

AMG RIDE CONTROL suspension

SUV OTR from **£73,190<sup>1</sup>**  
Coupé OTR from **£75,190<sup>1</sup>**

<sup>1</sup>The recommended on-the-road price includes the Road Fund Licence applicable to the standard model plus delivery charge (£730.00 incl. VAT), new vehicle registration fee (£55.00), fuel (£50.00 incl. VAT), and number plates (£25.00 incl. VAT). VAT is calculated at the standard rate of 20%. Some of the model features, optional extras and colours shown may not be available, or may only be available in a different specification, or at a different price



Option shown: MANUFAKTUR patagonia red metallic (code 993)

### Exterior

20" AMG alloy wheels – Y-spoke design, aerodynamically optimised, painted matt black with a high-sheen finish (code RWM)

AMG fuel cap

AMG high-performance composite braking system with silver-painted brake callipers and 'AMG' lettering

AMG spoiler lip

DIGITAL LIGHT with Adaptive Highbeam Assist Plus

Heat- and noise-insulating acoustic glass

Mercedes-AMG 43 exterior

Panoramic sliding sunroof

Privacy glass – heat-insulating dark-tinted glass

Rear axle steering

Roof rails – polished aluminium (SUV only)

Summer tyres



Design	Technology	Plug-in Hybrid	Model lines	Upholstery	Model prices	Mercedes-AMG	Mercedes-AMG upholstery	Mercedes-AMG prices	Personalisation	Standard equipment	Genuine accessories	Technical data	Additional information
--------	------------	----------------	-------------	------------	--------------	--------------	-------------------------	---------------------	-----------------	--------------------	---------------------	----------------	------------------------



**Interior**

- AMG Real Performance Sound
- Centre console – metal-structure finish
- Floor mats – black with ‘AMG’ lettering
- Heated front seats
- Illuminated door sills with ‘AMG’ lettering and with exchangeable cover

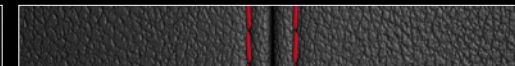
- Partition net
- Steering wheel – AMG Performance steering wheel in nappa leather with AMG steering wheel buttons
- THERMATIC two-zone automatic climate control

**Communications, Safety and Assistance Systems**

- Dashcam
- MBUX augmented reality for navigation
- Parking package – Active Park Assist<sup>1</sup> with PARKTRONIC and 360° camera
- USB package Plus

**Trim and Upholstery**

- Black open-pore aluminium lines wood trim
- AMG leather – black



Design	Technology	Plug-in Hybrid	Model lines	Upholstery	Model prices	Mercedes-AMG	Mercedes-AMG upholstery	Mercedes-AMG prices	Personalisation	Standard equipment	Genuine accessories	Technical data	Additional information
--------	------------	----------------	-------------	------------	--------------	--------------	-------------------------	---------------------	-----------------	--------------------	---------------------	----------------	------------------------

# Mercedes-AMG GLC 43 4MATIC Night Edition Premium Plus

Standard equipment highlights



Option shown: MANUFAKTUR alpine grey solid (code 956)



Option shown: MANUFAKTUR alpine grey solid (code 956)

SUV OTR from **£83,190<sup>1</sup>**  
 Coupé OTR from **£85,190<sup>1</sup>**  
 Upgrade price from GLC 43 4MATIC Premium **£10,000**

In addition to/replacement of Mercedes-AMG GLC43 4MATIC Premium:

**Exterior**

21" AMG alloy wheels – Y-spoke design, aerodynamically optimised, painted matt black with a high-sheen rim flange (code RWN)

AMG Night package

Roof rails – black (SUV only)

Summer tyres



<sup>1</sup>The recommended on-the-road price includes the Road Fund Licence applicable to the standard model plus delivery charge (£730.00 incl. VAT), new vehicle registration fee (£55.00), fuel (£50.00 incl. VAT), and number plates (£25.00 incl. VAT). VAT is calculated at the standard rate of 20%. Some of the model features, optional extras and colours shown may not be available, or may only be available in a different specification, or at a different price

Design	Technology	Plug-in Hybrid	Model lines	Upholstery	Model prices	Mercedes-AMG	Mercedes-AMG upholstery	Mercedes-AMG prices	Personalisation	Standard equipment	Genuine accessories	Technical data	Additional information
--------	------------	----------------	-------------	------------	--------------	--------------	-------------------------	---------------------	-----------------	--------------------	---------------------	----------------	------------------------



### Interior

Centre console – high-gloss black

Heated steering wheel

Seats – climatized (front)

### Communications, Safety and Assistance Systems

Burmester® 3D surround sound system with sound personalisation

Head-up display

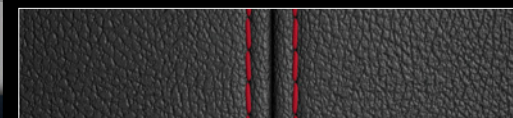


### Trim and Upholstery

AMG carbon fibre



AMG Leather – black



Design	Technology	Plug-in Hybrid	Model lines	Upholstery	Model prices	Mercedes-AMG	Mercedes-AMG upholstery	Mercedes-AMG prices	Personalisation	Standard equipment	Genuine accessories	Technical data	Additional information
--------	------------	----------------	-------------	------------	--------------	--------------	-------------------------	---------------------	-----------------	--------------------	---------------------	----------------	------------------------

# Mercedes-AMG GLC 43 4MATIC Edition Midnight

Standard equipment highlights



Option shown: MANUFAKTUR graphite grey magno (code 818)

In addition to/replacement of Mercedes-AMG GLC 43 4MATIC Night Edition Premium Plus:

**Engine, Transmission and Suspension**

AMG DYNAMIC PLUS package

SUV OTR from **£88,190<sup>1</sup>**  
Coupé OTR from **£90,190<sup>1</sup>**

Upgrade price from GLC 43 4MATIC Night Edition Premium Plus **£5,000**

<sup>1</sup>The recommended on-the-road price includes the Road Fund Licence applicable to the standard model plus delivery charge (£730.00 incl. VAT), new vehicle registration fee (£55.00), fuel (£50.00 incl. VAT), and number plates (£25.00 incl. VAT). VAT is calculated at the standard rate of 20%. Some of the model features, optional extras and colours shown may not be available, or may only be available in a different specification, or at a different price



Option shown: MANUFAKTUR graphite grey magno (code 818)

**Exterior**

21" AMG alloy wheels – Y-spoke design, aerodynamically optimised, painted matt black with a high-sheen rim flange (code RWN)

AMG Exterior Carbon-Fibre package I – front splitter in the AMG front apron in carbon fibre, inserts in the AMG side sill panels in carbon fibre and carbon fibre trim strip in the AMG rear apron

AMG high-performance composite braking system with red-painted brake callipers and 'AMG' lettering

AMG Night package II – AMG-specific radiator grille, darkened and typography in black chrome on the front wings and rear

Choice of three metallic/magno paints

DIGITAL LIGHT with projection function

Summer tyres



Design	Technology	Plug-in Hybrid	Model lines	Upholstery	Model prices	Mercedes-AMG	Mercedes-AMG upholstery	Mercedes-AMG prices	Personalisation	Standard equipment	Genuine accessories	Technical data	Additional information
--------	------------	----------------	-------------	------------	--------------	--------------	-------------------------	---------------------	-----------------	--------------------	---------------------	----------------	------------------------



### Interior

AMG Performance Seat package High-End – AMG Performance seats, multicontour seats for driver and front passenger, seat heating for driver and front passenger, 'AMG' lettering in seat backrests, 'AMG' emblem in the head restraint, chrome trim and perforated seats

AMG Performance steering wheel in carbon fibre design/  
MICROCUT microfibre

THERMOTRONIC four-zone automatic climate control

### Communications, Safety and Assistance Systems

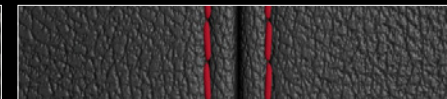
MBUX Interior Assist

### Trim and Upholstery

Carbon fibre



AMG leather – black



Design	Technology	Plug-in Hybrid	Model lines	Upholstery	Model prices	Mercedes-AMG	Mercedes-AMG upholstery	Mercedes-AMG prices	Personalisation	Standard equipment	Genuine accessories	Technical data	Additional information
--------	------------	----------------	-------------	------------	--------------	--------------	-------------------------	---------------------	-----------------	--------------------	---------------------	----------------	------------------------

# Mercedes-AMG GLC 63 S E PERFORMANCE 4MATIC+ Premium

Standard equipment highlights



Option shown: MANUFAKTUR opalite white bright metallic (code 885)



Option shown: MANUFAKTUR opalite white bright metallic (code 885)

## Engine, Transmission and Suspension

4MATIC+ permanent four-wheel drive

9G-TRONIC PLUS 9-speed automatic transmission

AMG ACTIVE RIDE CONTROL suspension with roll stabilisation

AMG Driver's package

AMG DYNAMIC SELECT with a choice of eight driving modes (Electric, Comfort, Battery Hold, Sport, Sport+, Race, Slippery, Individual)

## Exterior

21" AMG alloy wheels – cross-spoke forged, painted tantalum grey with a high-sheen rim flange (code RWK)

Aluminium-look running boards with rubber studs

AMG high-performance composite braking system with red-painted brake callipers and 'AMG' lettering

DIGITAL LIGHT with Adaptive Highbeam Assist Plus

Mercedes-AMG 63 exterior

Panoramic sliding sunroof

Summer tyres



SUV OTR from **£109,030<sup>1</sup>**  
Coupé OTR from **£111,030<sup>1</sup>**

<sup>1</sup>The recommended on-the-road price includes the Road Fund Licence applicable to the standard model plus delivery charge (£730.00 incl. VAT), new vehicle registration fee (£55.00), fuel (£50.00 incl. VAT), and number plates (£25.00 incl. VAT). VAT is calculated at the standard rate of 20%. Some of the model features, optional extras and colours shown may not be available, or may only be available in a different specification, or at a different price

Design	Technology	Plug-in Hybrid	Model lines	Upholstery	Model prices	Mercedes-AMG	Mercedes-AMG upholstery	Mercedes-AMG prices	Personalisation	Standard equipment	Genuine accessories	Technical data	Additional information
--------	------------	----------------	-------------	------------	--------------	--------------	-------------------------	---------------------	-----------------	--------------------	---------------------	----------------	------------------------





AMG Performance steering wheel and AMG steering wheel buttons

### Communications, Safety and Assistance Systems

AMG Track Pace

Remote and Charging Services Plus<sup>1</sup>

MBUX augmented reality for navigation



AMG Performance Seat package Advanced

### Interior

AMG Performance Seat package Advanced – Performance-optimised seats for driver and front passenger with pronounced side bolsters, fully electric adjustment options and seat heating

AMG Real Performance Sound

Centre console in high-gloss black

Heated front seats

Illuminated door sills with 'AMG' lettering and with exchangeable cover

Mercedes-AMG 63 interior

Steering wheel – AMG Performance steering wheel in nappa leather/MICROCUT microfibre and AMG steering wheel buttons

THERMATIC – two-zone automatic climate control

### Trim and Upholstery

AMG carbon fibre

ARTICO man-made leather upholstery/MICROCUT microfibre – black



<sup>1</sup>The connection of the communication module to the mobile phone network including the emergency call system depends on the respective network coverage and availability of network providers

Design	Technology	Plug-in Hybrid	Model lines	Upholstery	Model prices	Mercedes-AMG	Mercedes-AMG upholstery	Mercedes-AMG prices	Personalisation	Standard equipment	Genuine accessories	Technical data	Additional information
--------	------------	----------------	-------------	------------	--------------	--------------	-------------------------	---------------------	-----------------	--------------------	---------------------	----------------	------------------------

# Mercedes-AMG GLC 63 S E PERFORMANCE 4MATIC+ Night Edition Premium Plus

Standard equipment highlights



Option shown: spectral blue metallic (code 970)



Option shown: spectral blue metallic (code 970)

SUV OTR from **£121,530<sup>1</sup>**  
 Coupé OTR from **£123,530<sup>1</sup>**  
 Upgrade price from Premium **£12,500**

In addition to/replacement of Mercedes-AMG GLC 63 S E PERFORMANCE 4MATIC+ Premium:

**Exterior**

- 21" AMG alloy wheels – cross-spoke forged design, painted matt black with a high-sheen rim flange (code RWL)
- AMG Aerodynamics package
- AMG Night package
- AMG spoiler lip in high-gloss black
- Roof rails – black (SUV only)
- Summer tyres



<sup>1</sup>The recommended on-the-road price includes the Road Fund Licence applicable to the standard model plus delivery charge (£730.00 incl. VAT), new vehicle registration fee (£55.00), fuel (£50.00 incl. VAT), and number plates (£25.00 incl. VAT). VAT is calculated at the standard rate of 20%. Some of the model features, optional extras and colours shown may not be available, or may only be available in a different specification, or at a different price

Design	Technology	Plug-in Hybrid	Model lines	Upholstery	Model prices	Mercedes-AMG	Mercedes-AMG upholstery	Mercedes-AMG prices	Personalisation	Standard equipment	Genuine accessories	Technical data	Additional information
--------	------------	----------------	-------------	------------	--------------	--------------	-------------------------	---------------------	-----------------	--------------------	---------------------	----------------	------------------------



**Interior**

- AMG Performance steering wheel in carbon fibre design/MICROCUT microfibre
- Seats – AMG Performance Seat package High-End consisting of AMG Performance seats, multi-contour seats for driver and front passenger, seat heating for driver and front passenger, 'AMG' lettering in seat backrests, 'AMG' emblem in the head restraint, chrome trim and perforated seats
- Heated steering wheel
- Seats – climatized (front)

**Communications, Safety and Assistance Systems**

- Burmester® 3D surround sound system with sound personalisation
- Head-up display

**Trim and Upholstery**

AMG carbon fibre



AMG nappa leather – black



<sup>1</sup>Our driver assistance and safety systems are aids and do not relieve you of your responsibility as the driver. Please take note of the information in the Owner's Manual and the system limits which are described therein

Design	Technology	Plug-in Hybrid	Model lines	Upholstery	Model prices	Mercedes-AMG	Mercedes-AMG upholstery	Mercedes-AMG prices	Personalisation	Standard equipment	Genuine accessories	Technical data	Additional information
--------	------------	----------------	-------------	------------	--------------	--------------	-------------------------	---------------------	-----------------	--------------------	---------------------	----------------	------------------------

# Become the AMG expert

Unleash a new level of performance.



Step into the world of performance and experience the AMG brand at Mercedes-Benz World – from the powerful sound of the engines to the smell of the leather to the unmistakable design of our vehicles.

Mercedes-Benz World invites all Mercedes-AMG customers to a complimentary adrenaline-packed driving experience. Feel the sensational AMG driving performance, develop your driving skills and even try your hand at power-sliding on the Wet Skid Circle. With expert one-to-one guidance from a Driving Specialist in the passenger seat, experience every inch of our Handling Circuits, Dynamic Straight and low friction surfaces.



[Click here for more information](#)

**TERMS AND CONDITIONS**  
 The following customers only are eligible: The first purchaser/registered keeper of a newly registered Mercedes-AMG. The complimentary training must be booked and taken within 12 months of email receipt. The training is available Monday - Friday only (excluding bank holidays) and subject to availability. Upgrades are available for an additional cost, details upon request. Transferable to individuals who reside at the same postal address only. Mercedes-Benz UK Limited reserves the right to amend or withdraw this training experience. Attendees must hold a full UK driving licence. Attendees will be required to sign the Mercedes-Benz World Driving Risk Acknowledgement prior to undertaking the training experience.

The training experience is also subject to the Mercedes-Benz World Terms and Conditions, as applicable. Retailer demonstrator vehicles are not eligible.

Design	Technology	Plug-in Hybrid	Model lines	Upholstery	Model prices	Mercedes-AMG	Mercedes-AMG upholstery	Mercedes-AMG prices	Personalisation	Standard equipment	Genuine accessories	Technical data	Additional information
--------	------------	----------------	-------------	------------	--------------	--------------	-------------------------	---------------------	-----------------	--------------------	---------------------	----------------	------------------------



# Mercedes-AMG upholstery GLC 43 4MATIC

● Standard   □ No-cost option   – Not available



**251A AMG leather<sup>1</sup> – black**

Sports seats

GLC 43 4MATIC AMG Premium	●
GLC 43 4MATIC AMG Premium Plus	●
GLC 43 4MATIC AMG Edition Midnight	–



**251A AMG leather<sup>1</sup> – black**

AMG Performance Seat package High-End

GLC 43 4MATIC AMG Premium	–
GLC 43 4MATIC AMG Premium Plus	–
GLC 43 4MATIC AMG Edition Midnight	●



**297A AMG leather<sup>1</sup> – power red/black**

Sports seats

GLC 43 4MATIC AMG Premium	□
GLC 43 4MATIC AMG Premium Plus	□
GLC 43 4MATIC AMG Edition Midnight	–

<sup>1</sup>At least 80% of the seat upholstery is pure leather, while up to 20% may consist of man-made leather

Design	Technology	Plug-in Hybrid	Model lines	Upholstery	Model prices	Mercedes-AMG	Mercedes-AMG upholstery	Mercedes-AMG prices	Personalisation	Standard equipment	Genuine accessories	Technical data	Additional information
--------	------------	----------------	-------------	------------	--------------	--------------	-------------------------	---------------------	-----------------	--------------------	---------------------	----------------	------------------------



# Mercedes-AMG upholstery GLC 63 S E PERFORMANCE 4MATIC+

● Standard   □ No-cost option   – Not available



**661A ARTICO man-made leather/MICROCUT microfibre - black**

AMG Performance Seat package Advanced

GLC 63 S E PERFORMANCE 4MATIC+ AMG Premium ●

GLC 63 S E PERFORMANCE 4MATIC+ AMG Night Edition Premium Plus –



**851A AMG nappa leather<sup>1</sup> - black**

AMG Performance Seat package High-End

GLC 63 S E PERFORMANCE 4MATIC+ AMG Premium –

GLC 63 S E PERFORMANCE 4MATIC+ AMG Night Edition Premium Plus ●



**878A AMG nappa leather<sup>1</sup> - titanium grey pearl/black**

AMG Performance Seat package High-End

GLC 63 S E PERFORMANCE 4MATIC+ AMG Premium –

GLC 63 S E PERFORMANCE 4MATIC+ AMG Night Edition Premium Plus □

<sup>1</sup>100% of seat upholstery is pure leather

Design	Technology	Plug-in Hybrid	Model lines	Upholstery	Model prices	Mercedes-AMG	Mercedes-AMG upholstery	Mercedes-AMG prices	Personalisation	Standard equipment	Genuine accessories	Technical data	Additional information
--------	------------	----------------	-------------	------------	--------------	--------------	-------------------------	---------------------	-----------------	--------------------	---------------------	----------------	------------------------

# Mercedes-AMG upholstery

No-cost option



## Y05 Seat belts - red

GLC 43 4MATIC AMG Premium	<input type="checkbox"/>
GLC 43 4MATIC AMG Premium Plus	<input type="checkbox"/>
GLC 43 4MATIC AMG Edition Midnight	<input type="checkbox"/>
GLC 63 S E PERFORMANCE 4MATIC+ AMG Premium	<input type="checkbox"/>
GLC 63 S E PERFORMANCE 4MATIC+ AMG Night Edition Premium Plus	<input type="checkbox"/>

[Book a test drive](#)[Find your GLC](#)[Find a Showroom](#)

# Mercedes-AMG prices

Model line	Engine	Transmission	CO <sub>2</sub> WLTP <sup>1,*</sup>	Basic RRP excl. VAT (€)	Total RRP incl. VAT (€)	Road Fund Licence (€) <sup>2</sup> WLTP	Rec. OTR price (€) <sup>3</sup> WLTP	P11D value (€)	BiK tax rate 2024/25 (%) <sup>2</sup>
<b>SUV</b>									
Mercedes-AMG GLC 43 4MATIC Premium	Petrol – 1,991 cc, 4-cylinder, 421 hp/310 kW Mild hybrid drive – 22 hp/17 kW	9G-TRONIC PLUS 9-speed automatic	240	58,333.33	70,000.00	2,330.00	<b>73,190.00</b>	70,805.00	37
Mercedes-AMG GLC 43 4MATIC Night Edition Premium Plus	Petrol – 1,991 cc, 4-cylinder, 421 hp/310 kW Mild hybrid drive – 22 hp/17 kW	9G-TRONIC PLUS 9-speed automatic	241	66,666.67	80,000.00	2,330.00	<b>83,190.00</b>	80,805.00	37
Mercedes-AMG GLC 43 4MATIC Edition Midnight	Petrol – 1,991 cc, 4-cylinder, 421 hp/310 kW Mild hybrid drive – 22 hp/17 kW	9G-TRONIC PLUS 9-speed automatic	240	70,833.33	85,000.00	2,330.00	<b>88,190.00</b>	85,805.00	37
Mercedes-AMG GLC 63 S E PERFORMANCE 4MATIC+ AMG Premium	Petrol – 1,991 cc, 4-cylinder, 476 hp/350 kW Electric motor – 204 hp/150 kW	9G-TRONIC PLUS 9-speed automatic	170	89,583.33	107,500.00	670.00	<b>109,030.00</b>	108,305.00	37
Mercedes-AMG GLC 63 S E PERFORMANCE 4MATIC+ AMG Night Edition Premium Plus	Petrol – 1,991 cc, 4-cylinder, 476 hp/350 kW Electric motor – 204 hp/150 kW	9G-TRONIC PLUS 9-speed automatic	170	100,000.00	120,000.00	670.00	<b>121,530.00</b>	120,805.00	37
<b>Coupé</b>									
Mercedes-AMG GLC 43 4MATIC Premium	Petrol – 1,991 cc, 4-cylinder, 421 hp/310 kW Mild hybrid drive – 22 hp/17 kW	9G-TRONIC PLUS 9-speed automatic	237	60,000.00	72,000.00	2,330.00	<b>75,190.00</b>	72,805.00	37
Mercedes-AMG GLC 43 4MATIC Night Edition Premium Plus	Petrol – 1,991 cc, 4-cylinder, 421 hp/310 kW Mild hybrid drive – 22 hp/17 kW	9G-TRONIC PLUS 9-speed automatic	238	68,333.33	82,000.00	2,330.00	<b>85,190.00</b>	82,805.00	37
Mercedes-AMG GLC 43 4MATIC Edition Midnight	Petrol – 1,991 cc, 4-cylinder, 421 hp/310 kW Mild hybrid drive – 22 hp/17 kW	9G-TRONIC PLUS 9-speed automatic	237	72,500.00	87,000.00	2,330.00	<b>90,190.00</b>	87,805.00	37
Mercedes-AMG GLC 63 S E PERFORMANCE 4MATIC+ AMG Premium	Petrol – 1,991 cc, 4-cylinder, 476 hp/350 kW Electric motor – 204 hp/150 kW	9G-TRONIC PLUS 9-speed automatic	170	91,250.00	109,500.00	670.00	<b>111,030.00</b>	110,305.00	37
Mercedes-AMG GLC 63 S E PERFORMANCE 4MATIC+ AMG Night Edition Premium Plus	Petrol – 1,991 cc, 4-cylinder, 476 hp/350 kW Electric motor – 204 hp/150 kW	9G-TRONIC PLUS 9-speed automatic	170	101,666.67	122,000.00	670.00	<b>123,530.00</b>	122,805.00	37

<sup>1</sup>The indicated values were determined according to the prescribed measurement method - Worldwide Harmonised Light Vehicle Test Procedure (WLTP). Figures shown may include options which are not available in the UK. <sup>2</sup>Figures shown are for comparability purposes; only compare with other cars tested to the same technical procedures. Figures may not reflect real life driving results, which will depend upon a number of factors including factory-fitted options, accessories fitted (post registration), variations in weather, driving styles and vehicle load. Further information about the test used to establish fuel consumption and CO<sub>2</sub> figures can be found at <http://www.mercedes-benz.co.uk/WLTP> <sup>3</sup>A different first year rate of Vehicle Excise Duty (Road Fund Licence) applies for new cars. Please refer to page 88 for the relevant rate for the second and subsequent years <sup>4</sup>The recommended on-the-road price includes the Road Fund Licence applicable to the standard model plus delivery charge (£730.00 incl. VAT), new vehicle registration fee (£55.00), fuel (£50.00 incl. VAT), and number plates (£25.00 incl. VAT). VAT is calculated at the standard rate of 20%. Some of the model features, optional extras and colours shown may not be available, or may only be available in a different specification, or at a different price

Design	Technology	Plug-in Hybrid	Model lines	Upholstery	Model prices	Mercedes-AMG	Mercedes-AMG upholstery	Mercedes-AMG prices	Personalisation	Standard equipment	Genuine accessories	Technical data	Additional information
--------	------------	----------------	-------------	------------	--------------	--------------	-------------------------	---------------------	-----------------	--------------------	---------------------	----------------	------------------------



# Colour options

Urban Edition and all AMG Line variants – non-metallic, metallic paints and MANUFAKTUR paints

● Standard

Total prices incl. VAT



149 polar white non-metallic



831 graphite grey metallic

£715.00



956 MANUFAKTUR alpine grey solid

£925.00



188 verde silver metallic

£715.00



922 high-tech silver metallic

£715.00



993 MANUFAKTUR patagonia red metallic

£925.00



197 obsidian black metallic

£715.00



970 spectral blue metallic

£715.00



885 MANUFAKTUR opalite white bright metallic

£925.00

\*MANUFAKTUR magno matt paint finishes require extra care. Please refer to the Owner's Manual for instructions

Please note that, owing to limitations of on-screen representation, paint colours may differ from those shown

Design	Technology	Plug-in Hybrid	Model lines	Upholstery	Model prices	Mercedes-AMG	Mercedes-AMG upholstery	Mercedes-AMG prices	Personalisation	Standard equipment	Genuine accessories	Technical data	Additional information
--------	------------	----------------	-------------	------------	--------------	--------------	-------------------------	---------------------	-----------------	--------------------	---------------------	----------------	------------------------

# Colour options Mercedes-AMG variants – non-metallic and metallic paints

● Standard   □ No-cost option   ○ Optional   – Not available



**149 polar white non-metallic**

Mercedes-AMG GLC43 4MATIC Premium & Night Edition Premium Plus	●
Mercedes-AMG GLC43 4MATIC Edition Midnight	–
Mercedes-AMG GLC 63 S E PERFORMANCE 4MATIC+ variants	●
<b>Total RRP incl. VAT</b>	–



**197 obsidian black metallic**

Mercedes-AMG GLC43 4MATIC Premium & Night Edition Premium Plus	○
Mercedes-AMG GLC43 4MATIC Edition Midnight	□
Mercedes-AMG GLC 63 S E PERFORMANCE 4MATIC+ variants	○
<b>Total RRP incl. VAT</b>	<b>£715.00</b>



**922 high-tech silver metallic**

Mercedes-AMG GLC43 4MATIC Premium & Night Edition Premium Plus	○
Mercedes-AMG GLC43 4MATIC Edition Midnight	–
Mercedes-AMG GLC 63 S E PERFORMANCE 4MATIC+ variants	○
<b>Total RRP incl. VAT</b>	<b>£715.00</b>



**188 verde silver metallic**

Mercedes-AMG GLC43 4MATIC Premium & Night Edition Premium Plus	○
Mercedes-AMG GLC43 4MATIC Edition Midnight	–
Mercedes-AMG GLC 63 S E PERFORMANCE 4MATIC+ variants	○
<b>Total RRP incl. VAT</b>	<b>£715.00</b>



**831 graphite grey metallic**

Mercedes-AMG GLC43 4MATIC Premium & Night Edition Premium Plus	○
Mercedes-AMG GLC43 4MATIC Edition Midnight	□
Mercedes-AMG GLC 63 S E PERFORMANCE 4MATIC+ variants	○
<b>Total RRP incl. VAT</b>	<b>£715.00</b>



**970 spectral blue metallic**

Mercedes-AMG GLC43 4MATIC Premium & Night Edition Premium Plus	○
Mercedes-AMG GLC43 4MATIC Edition Midnight	–
Mercedes-AMG GLC 63 S E PERFORMANCE 4MATIC+ variants	○
<b>Total RRP incl. VAT</b>	<b>£715.00</b>

Please note that, owing to limitations of on-screen representation, paint colours may differ from those shown

[Book a test drive](#)[Find your GLC](#)[Find a Showroom](#)

# Colour options Mercedes-AMG variants – MANUFAKTUR paints

● Standard   ○ Optional   – Not available



**956 MANUFAKTUR alpine grey solid**

Mercedes-AMG GLC43 4MATIC Premium & Night Edition Premium Plus	○
Mercedes-AMG GLC43 4MATIC Edition Midnight	–
Mercedes-AMG GLC 63 S E PERFORMANCE 4MATIC+ variants	○
<b>Total RRP incl. VAT</b>	<b>£925.00</b>



**993 MANUFAKTUR patagonia red metallic**

Mercedes-AMG GLC43 4MATIC Premium & Night Edition Premium Plus	○
Mercedes-AMG GLC43 4MATIC Edition Midnight	–
Mercedes-AMG GLC 63 S E PERFORMANCE 4MATIC+ variants	○
<b>Total RRP incl. VAT</b>	<b>£925.00</b>



**818 MANUFAKTUR graphite grey magno¹**

Mercedes-AMG GLC43 4MATIC Premium & Night Edition Premium Plus	–
Mercedes-AMG GLC43 4MATIC Edition Midnight	●
Mercedes-AMG GLC 63 S E PERFORMANCE 4MATIC+ variants	○
<b>Total RRP incl. VAT</b>	<b>£1,825.00</b>



**885 MANUFAKTUR opalite white bright metallic**

Mercedes-AMG GLC43 4MATIC Premium & Night Edition Premium Plus	○
Mercedes-AMG GLC43 4MATIC Edition Midnight	–
Mercedes-AMG GLC 63 S E PERFORMANCE 4MATIC+ variants	○
<b>Total RRP incl. VAT</b>	<b>£925.00</b>



**734 MANUFAKTUR high-tech silver magno¹**

Mercedes-AMG GLC43 4MATIC Premium & Night Edition Premium Plus	–
Mercedes-AMG GLC43 4MATIC Edition Midnight	–
Mercedes-AMG GLC 63 S E PERFORMANCE 4MATIC+ variants	○
<b>Total RRP incl. VAT</b>	<b>£1,825.00</b>

¹MANUFAKTUR magno matt paint finishes require extra care. Please refer to the Owner's Manual for instructions

Please note that, owing to limitations of on-screen representation, paint colours may differ from those shown

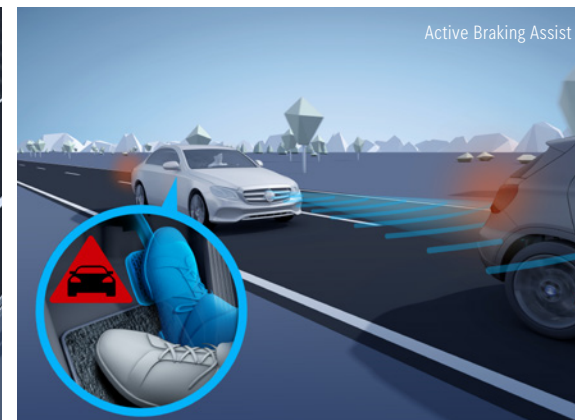
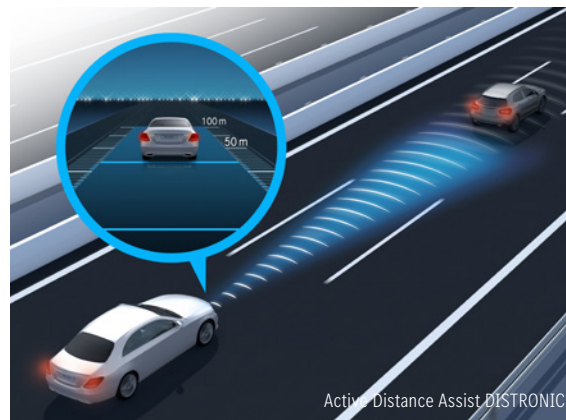
Design	Technology	Plug-in Hybrid	Model lines	Upholstery	Model prices	Mercedes-AMG	Mercedes-AMG upholstery	Mercedes-AMG prices	Personalisation	Standard equipment	Genuine accessories	Technical data	Additional information
--------	------------	----------------	-------------	------------	--------------	--------------	-------------------------	---------------------	-----------------	--------------------	---------------------	----------------	------------------------

# Driving Assistance package Plus<sup>1</sup>

○ Optional    – Not available

The Driving Assistance package Plus<sup>1</sup> contains a range of highly intelligent features to help you stay safe on the road – by making the drive more effortless, by warning of danger, and by taking steps to protect you in an emergency.

**Driving Assistance package Plus<sup>1</sup>** (code P20) – designed and priced as a package, including items as listed.



**Active Blind Spot Assist** can warn the driver of vehicles in the blind spot during a lane change and can help to avoid a collision by means of one-sided braking intervention

**Active Braking Assist** with cross-traffic function can help to avoid accidents with vehicles ahead, crossing traffic and also pedestrians, and/or mitigate their consequences

**Active Distance Assist DISTRONIC** relieves the strain on the driver and provides support in both flowing and stop-and-go traffic. The intelligent system controls the distance from the vehicle in front, adapts the driving speed to what is happening en-route and takes on the demanding task of following a queue or traffic jam

**Active Lane Change Assist** supports you by bringing you into the parallel lane if there is space when changing lanes

**Active Speed Limit Assist** helps you to observe the stipulated maximum permissible speed, even in unclear situations. A camera detects maximum permissible speeds, which Active Distance Assist DISTRONIC automatically adopts and sets as the speed – for enhanced safety and comfort when driving.

**Active Steering Assist** helps the driver keep the vehicle in the centre of its lane on straight stretches of road or slight bends. Reduces the risk of accidents and improves protection for both the occupants and other road users

**Evasive Steering Assist** can support the driver in making evasive manoeuvres if, in a dangerous situation, he/she moves to avoid any pedestrian detected by the system

**PRE SAFE®** can prepare the occupants for a side-on collision and reduce the risk of injury. Like a bodyguard, it pushes the driver or front passenger away from the danger zone towards the inside

**PRE SAFE® PLUS** when a rear-end collision threatens, PRE-SAFE® PLUS can initiate preventive measures, including warning following traffic and locking the brakes on standstill

**Route-based speed adaptation.** Adaption of speed before curves, roundabouts, junctions, toll roads. Allows for smoother and more accurate functionality of several driving assistant systems

Model line	Driving Assistance package Plus <sup>1</sup> (code P20)
Urban Edition	–
AMG Line	–
AMG Line Premium	–
AMG Line Premium Plus	○
Mercedes-AMG GLC43 4MATIC Premium	–
Mercedes-AMG GLC43 4MATIC Night Edition Premium Plus	○
Mercedes-AMG GLC43 4MATIC Edition Midnight	○
Mercedes-AMG GLC63 S e 4MATIC+ Night Edition Premium Plus	○
<b>Total incl. VAT</b>	<b>£1,695.00</b>

<sup>1</sup>Our driver assistance and safety systems are aids and do not relieve you of your responsibility as the driver. Please take note of the information in the Owner's Manual and the system limits which are described therein

# Trailer coupling with ESP® trailer stabilisation

With the trailer coupling with EPS® trailer stabilisation, you can hitch up trailers or caravans and also mount cycle racks. The trailer coupling is ready for use in no time at all and can be folded in again behind the rear bumper just as quickly when it is no longer needed.

**Trailer coupling with ESP® trailer stabilisation** (code 550)

**Available on all models,**

**except Mercedes-AMG GLC 63 S E PERFORMANCE 4MATIC+**

**Total incl. VAT £695.00**

---

Electronically extending and retracting tow bar, via control button in boot

---

ESP® trailer stabilisation intervenes automatically when undesired oscillating motions are detected

---

Operating safety is the top priority: to fold out the trailer coupling, you must first unlock it via the control button in the boot. As soon as the button light goes out, the trailer coupling is correctly engaged and is therefore ready for use.

The ESP® trailer stabilisation is able to intervene automatically in critical situations when driving with a trailer. The associated sensor system detects the trailer independently as soon as the electric plug is connected to your vehicle.

The ESP® stabilisation functions are automatically active from a speed of 40 mph. When undesired oscillating motions are detected, the Trailer Stability Assist actively dampens these with the aid of alternate brake actuation of each individual wheel. In most cases this is already sufficient to reduce dangerous oscillations. If necessary, the system additionally reduces the speed: for this, the engine torque is reduced and the vehicle is braked via all four wheels.



Design	Technology	Plug-in Hybrid	Model lines	Upholstery	Model prices	Mercedes-AMG	Mercedes-AMG upholstery	Mercedes-AMG prices	Personalisation	Standard equipment	Genuine accessories	Technical data	Additional information
--------	------------	----------------	-------------	------------	--------------	--------------	-------------------------	---------------------	-----------------	--------------------	---------------------	----------------	------------------------

# Touring package

Touring package provides added comfort for long distance driving. Replacing the AMG Performance seats with sports seats.

**Touring package** (code DSC) – designed and priced as a package, including items listed below.

**Available on Mercedes-AMG GLC 63 S E PERFORMANCE 4MATIC+ Premium and Mercedes-AMG GLC 63 S E PERFORMANCE 4MATIC+ Night Edition Premium Plus**

**No-cost option**

## Consisting of:

Sports seats (code 7U3)



Mercedes-AMG GLC 63 S E PERFORMANCE 4MATIC+ Premium shown



Mercedes-AMG GLC 63 S E PERFORMANCE 4MATIC+ Night Edition Premium Plus shown

[Book a test drive](#)[Find your GLC](#)[Find a Showroom](#)

# Refinement package

Elevating your driving experience to unprecedented levels, this innovative Refinement package seamlessly merges cutting-edge suspension technology with precision rear axle control. Glide effortlessly over any terrain while enjoying enhanced stability and agility around every bend.

**Refinement package** (code DRP) – designed and priced as a package, including items listed below.

**Available on AMG Line Premium and AMG Line Premium Plus** **Total incl. VAT £2,495.00**

### Consisting of:

AIRMATIC air suspension

Rear axle steering (up to 4.5°)

[Design](#)[Technology](#)[Plug-in Hybrid](#)[Model lines](#)[Upholstery](#)[Model prices](#)[Mercedes-AMG](#)[Mercedes-AMG upholstery](#)[Mercedes-AMG prices](#)[Personalisation](#)[Standard equipment](#)[Genuine accessories](#)[Technical data](#)[Additional information](#)

[Book a test drive](#)[Find your GLC](#)[Find a Showroom](#)

# Standard equipment

● Standard    – Not available

## Battery and Charging

	Urban Edition	AMG Line	AMG Line Premium	AMG Line Premium Plus
Charging cable – Mode 2 cable (5 metres, straight) for domestic socket (Plug-In Hybrid only)	●	●	●	●
Charging cable – Mode 3 cable (5 metres, straight) for wallbox and public charging station (Plug-In Hybrid only)	●	●	●	●
Charging system – AC charging system (Plug-In Hybrid only)	●	●	●	●
Charging system – DC charging system (Plug-In Hybrid only)	●	●	●	●

## Engine, Transmission and Suspension

4MATIC permanent four-wheel drive	●	●	●	●
9G-TRONIC PLUS 9-speed automatic transmission with steering column gear selector, DIRECT SELECT steering wheel gearshift paddles and SPEEDTRONIC cruise control with variable speed limiter	●	●	●	●
48V technology (Mild Hybrid only)	–	●	●	●
Driving modes – DYNAMIC SELECT with a choice of driving modes (ECO, Comfort, Sport, Individual and Offroad)	●	●	●	●
ECO start/stop function	●	●	●	●
Suspension – comfort and self-levelling suspension (Plug-In Hybrid only)	●	●	●	●
Suspension – sports suspension tuned for improved handling and driving dynamics (Mild Hybrid only)	–	●	●	●

## Exterior

AMG diffuser-look rear apron with insert in chrome	–	●	●	●
AMG Line exterior	●	●	●	●
Boot Comfort package	●	●	●	●
Brake callipers – with 'Mercedes-Benz' lettering and perforated front brake discs	●	●	●	●
Braking system with larger brake discs on the front axle (Mild Hybrid only)	●	●	●	●

	Urban Edition	AMG Line	AMG Line Premium	AMG Line Premium Plus
EASY-PACK automatic powered tailgate – the EASY-PACK boot lid can be opened and closed at the touch of a button for more convenient loading and unloading of the boot	●	●	●	●
Fuel tank – 49 litres (GLC 300 e only)	●	●	●	●
Fuel tank – 62 litres (excluding GLC 300 e)	●	●	●	●
Headlamps – DIGITAL LIGHT with Adaptive Highbeam Assist Plus	–	–	●	●
Headlamps – LED High Performance headlamps including integral LED daytime running lamps and Adaptive Highbeam Assist	●	●	–	–
Heat- and noise-insulating acoustic glass	–	–	●	●
Heat-insulating, dark tinted glass	●	●	●	●
Mirror package – electrically-folding mirrors and automatically-dimming exterior driver's mirror and rear view mirror	●	●	●	●
Night package	●	–	–	–
Panoramic sliding sunroof	–	–	●	●
Privacy glass – dark glass from B-pillar backwards	●	●	●	●
Radiator grille – with integrated Mercedes star and louvre in dark grey matt with chrome inlay and black frame	●	●	●	●
Rain-sensing windscreen wipers	●	●	●	●
Roof rails – black roof rails (SUV only)	●	–	–	–
Roof rails – polished aluminium roof rails (SUV only)	–	●	●	●
Running boards in aluminium-look with rubber studs	–	●	●	●
Tail lamps – LED	●	●	●	●
Tailpipe – two chrome-plated tailpipe trim elements	●	●	●	●
Wheel arch liners in the vehicle colour	●	●	●	●





# Standard equipment

● Standard – Not available

## Wheels

	Urban Edition	AMG Line	AMG Line Premium	AMG Line Premium Plus
19" AMG alloy wheels – 5-spoke design, painted black with a high-sheen finish, 235/55 (front) and 255/50 (rear) R19 tyres (code RRE)	–	●	–	–
20" AMG alloy wheels – 5-spoke design, painted black with a high-sheen finish, 255/45 (front) and 285/40 (rear) R20 tyres (code RRN)	–	–	●	–
20" AMG alloy wheels – multi-spoke design, painted black, rim flange with a high-sheen finish, 255/45 (front) and 285/40 (rear) R20 tyres (code RVP)	●	–	–	–
20" AMG alloy wheels – multi-spoke design, painted black with a high-sheen finish, 255/45 (front) and 285/40 (rear) R20 tyres (code RVO)	–	–	–	●
Summer tyres	●	●	●	●

## Interior

	Urban Edition	AMG Line	AMG Line Premium	AMG Line Premium Plus
AIR-BALANCE package – fragrance generator with function button in glove box and filled fragrance bottle, ioniser in the side air duct, improved filter system between the intake area and the air distribution system of the air conditioner	–	–	–	●
Ambient lighting with projection of brand logo – 64 colours, 10 colour themes with indirect illumination, 5 levels of variable brightness setting and 3 dimming zones	●	●	●	●
Ambient lighting Premium – 64 colours, 10 colour themes with directly illuminated light lines, 5 levels of variable brightness setting and 4 dimming zones	–	●	●	●
AMG brushed stainless steel sports pedals with black rubber studs	●	●	●	●
AMG Line interior	●	●	●	●
ENERGIZING package Plus – 7 ENERGIZING comfort programmes, ENERGIZING COACH, multicontour seats for driver and front passenger, climatised seats for driver and front passenger, seat heating and AIR BALANCE package	–	–	–	●
Floor mats – black with 'AMG' lettering	●	●	●	●
Illuminated door sill panels with 'Mercedes-Benz' lettering	–	●	●	●

	Urban Edition	AMG Line	AMG Line Premium	AMG Line Premium Plus
Interior Lighting package – lighting of footwells, door handle recesses, as well as rear reading lamps (LED) and courtesy lights in all doors, illuminated vanity mirrors	●	●	●	●
KEYLESS-GO Comfort package	–	–	●	●
KEYLESS-GO entry and starting function	–	–	●	●
KEYLESS-GO starting function	●	●	●	●
Outside temperature display	●	●	●	●
Partition net	●	●	●	●
Seat Comfort package	●	–	–	–
Seats – comfort seats	–	–	–	●
Seats – four-way lumbar support	●	●	●	●
Seats – heated (front)	●	●	●	●
Seats – split-folding 40:20:40 (rear)	●	●	●	●
Seats – sports seats	●	●	●	–
Memory package – driver's seat, front passenger seat, steering column and exterior mirrors – electrically adjustable with memory	–	●	●	●
Stowage – double cup holder in centre console	●	●	●	●
Stowage – front centre armrest with stowage compartment	●	●	●	●
Stowage – illuminated and lockable glove compartment	●	●	●	●
Stowage Space package – map pockets on the back of the front seats, net on the load compartment floor, folding box beneath load compartment floor, 12V socket in load compartment, lockable stowage compartment beneath load compartment floor, cargo rails	●	●	●	●
Sun visors	●	●	●	●
THERMATIC two-zone automatic climate control	●	●	●	●



# Standard equipment

● Standard – Not available

## Steering

	Urban Edition	AMG Line	AMG Line Premium	AMG Line Premium Plus
Steering – Direct-Steer speed sensitive steering	●	●	●	●
Steering column – electrically adjustable for height and reach	–	●	●	●
Steering column – manually adjustable for height and reach	●	●	–	–
Steering wheel – heated	–	–	–	●
Steering wheel – multifunction sports steering wheel in nappa leather, galvanised gearshift paddles, audio and onboard settings control	●	●	●	●

## Paint, Trim and Upholstery

	Urban Edition	AMG Line	AMG Line Premium	AMG Line Premium Plus
Centre console – metal structure finish	–	●	●	●
Centre console – silver grey criss-cross look	●	–	–	–
Instrument panel and beltlines in ARTICO man-made leather in nappa look	●	●	●	●
Paint – non-metallic	●	●	●	●
Roof liner – black fabric	●	●	●	●
Seat belts – black	●	●	●	●
Trim – anthracite linestructure lime wood	–	–	●	–
Trim – black open-pore aluminium lines wood trim	–	–	–	●
Trim – metal structure trim element	–	●	–	–
Trim – silver grey diamond pattern	●	–	–	–
Upholstery – ARTICO man-made leather	–	●	●	●
Upholstery – ARTICO man-made leather/MICROCUT microfibre	●	–	–	–

## Safety and Assistance Systems

	Urban Edition	AMG Line	AMG Line Premium	AMG Line Premium Plus
Acoustic presence indicator	●	●	●	●
Active bonnet – pedestrian safety measure which detects an impact and raises bonnet	●	●	●	●
Active Brake Assist <sup>1</sup>	●	●	●	●
Active Lane Keeping Assist <sup>1</sup>	●	●	●	●
ADAPTIVE BRAKE system with HOLD function and dry braking in the wet	●	●	●	●
Anti-theft alarm system with immobiliser and interior protection	●	●	●	●
Anti-theft alarm system with preinstallation for collision detection	●	●	●	●
ATTENTION ASSIST – continuously analyses driver behaviour and steering movements. If patterns are recognised which characterise drowsiness, the driver is prompted to take a break, and an audible warning is sounded	●	●	●	●
Automatic child seat recognition sensor	●	●	●	●
Automatic front passenger airbag deactivation	●	●	●	●
Blind Spot Assist	●	●	●	●
COLLISION PREVENTION ASSIST PLUS – the driver is given a visual warning if the distance from a vehicle in front is inadequate. On detecting the danger of a collision there is an acoustic warning, driver braking can be assisted and, if the driver fails to react, the speed can be reduced autonomously. Autonomous partial braking only occurs if the driver fails to react and is travelling at a speed range between 4–65 mph speeds for moving objects and 4–31mph for stationary objects	●	●	●	●
Diesel Particulate Filter (DPF) – diesel models only	●	●	●	●
Dual-stage airbags – driver and front passenger; driver kneebag and windowbags for driver, front passenger and rear passengers	●	●	●	●
Electric parking brake	●	●	●	●

<sup>1</sup>Our driver assistance and safety systems are aids and do not relieve you of your responsibility as the driver. Please take note of the information in the Owner's Manual and the system limits which are described therein



# Standard equipment

● Standard    – Not available

## Safety and Assistance Systems (continued)

Electronic Stability Programme (ESP®) with Curve Dynamic Assist and Crosswind Assist – for greater driving safety and stability, in particular when accelerating on bends; counters understeer by one-sided braking action. Detects sudden, strong gusts of wind and helps the driver stay in lane by means of targeted braking

Fluorescent jacket for driver

GUARD 360° vehicle protection Plus<sup>1</sup>

Increased anti-theft protection

ISOFIX child seat attachment points with top tether in rear (two outer seats)

Mercedes-Benz emergency call system<sup>2</sup>

Parking package – Active Park Assist<sup>1</sup> with PARKTRONIC and 360° camera. Detects parking spaces at up to 22 mph, controls steering, in conjunction with automatic transmission it also helps with accelerating, braking and changing gear. Visual and audible warning of detected obstacles based on distance and position and on detecting crossing traffic when reversing out of a parking space. System is able to briefly limit the moving-off speed when an obstacle is detected in the direction of travel

Parking package – Active Park Assist<sup>1</sup> with PARKTRONIC and reversing camera. Detects parking spaces at up to 22 mph, controls steering, in conjunction with automatic transmission it also helps with accelerating, braking and changing gear. Visual and audible warning of detected obstacles based on distance and position and on detecting crossing traffic when reversing out of a parking space. System is able to briefly limit the moving-off speed when an obstacle is detected in the direction of travel

	Urban Edition	AMG Line	AMG Line Premium	AMG Line Premium Plus
Electronic Stability Programme (ESP®) with Curve Dynamic Assist and Crosswind Assist – for greater driving safety and stability, in particular when accelerating on bends; counters understeer by one-sided braking action. Detects sudden, strong gusts of wind and helps the driver stay in lane by means of targeted braking	●	●	●	●
Fluorescent jacket for driver	●	●	●	●
GUARD 360° vehicle protection Plus <sup>1</sup>	●	●	●	●
Increased anti-theft protection	●	●	●	●
ISOFIX child seat attachment points with top tether in rear (two outer seats)	●	●	●	●
Mercedes-Benz emergency call system <sup>2</sup>	●	●	●	●
Parking package – Active Park Assist <sup>1</sup> with PARKTRONIC and 360° camera. Detects parking spaces at up to 22 mph, controls steering, in conjunction with automatic transmission it also helps with accelerating, braking and changing gear. Visual and audible warning of detected obstacles based on distance and position and on detecting crossing traffic when reversing out of a parking space. System is able to briefly limit the moving-off speed when an obstacle is detected in the direction of travel	–	–	●	●
Parking package – Active Park Assist <sup>1</sup> with PARKTRONIC and reversing camera. Detects parking spaces at up to 22 mph, controls steering, in conjunction with automatic transmission it also helps with accelerating, braking and changing gear. Visual and audible warning of detected obstacles based on distance and position and on detecting crossing traffic when reversing out of a parking space. System is able to briefly limit the moving-off speed when an obstacle is detected in the direction of travel	●	●	–	–

Petrol Particulate Filter (PPF) – petrol models only

Remote boot release

Service indicator ASSYST

SPEEDTRONIC cruise control with variable speed limiter

Status display in instrument cluster for rear seat belts

TIREFIT with tyre inflation compressor

Traffic Sign Assist – traffic sign recognition including wrong-way warning function and display of posted speed limits in the instrument cluster

Transparent bonnet

Tyre pressure monitoring system

	Urban Edition	AMG Line	AMG Line Premium	AMG Line Premium Plus
Petrol Particulate Filter (PPF) – petrol models only	●	●	●	●
Remote boot release	●	●	●	●
Service indicator ASSYST	●	●	●	●
SPEEDTRONIC cruise control with variable speed limiter	●	●	●	●
Status display in instrument cluster for rear seat belts	●	●	●	●
TIREFIT with tyre inflation compressor	●	●	●	●
Traffic Sign Assist – traffic sign recognition including wrong-way warning function and display of posted speed limits in the instrument cluster	–	●	●	●
Transparent bonnet	–	–	●	●
Tyre pressure monitoring system	●	●	●	●

<sup>1</sup>The connection of the communication module to the mobile phone network including the emergency call system depends on the respective network coverage and availability of network providers

<sup>2</sup>Please be aware Mercedes-Benz emergency call system comes as standard for the first 10 years of the vehicle's lifecycle



# Standard equipment

● Standard    – Not available

## Communications and In-Car Entertainment

	Urban Edition	AMG Line	AMG Line Premium	AMG Line Premium Plus
11.9-inch high-resolution multimedia colour display	●	●	●	●
12.3-inch digital individually configurable instrument display	●	●	●	●
Burmester® 3D surround sound system – 13 speakers and a 9-channel amplifier with total output of 590 watts	–	–	–	●
DAB digital radio tuner	●	●	●	●
Digital Extras (standard services) <sup>1</sup> – emergency call system (eCall) <sup>2</sup> , accident recovery, breakdown management and maintenance management	●	●	●	●
Digital Extras <sup>1</sup> (Vehicle Set-up <sup>1</sup> and Vehicle Monitoring) – onboard use of remote and location services, e.g. geographic vehicle monitoring, vehicle location, remote door locking and unlocking <sup>1</sup> , remote interrogation of vehicle status. Remote Online subscription services are limited to three years from initial registration, and can be extended at additional cost	●	●	●	●
Fingerprint scanner	●	●	●	●
Hard-disk navigation	●	●	●	●
Head-up display	–	–	–	●
Instrument display in miles with English lettering	●	●	●	●

	Urban Edition	AMG Line	AMG Line Premium	AMG Line Premium Plus
MBUX extended functions <sup>1</sup> (requires an active internet connection by activating a data option with an external mobile network operator or by using your mobile phone as a hotspot via tethering)	●	●	●	●
MBUX Navigation Premium	●	●	●	●
MBUX voice control activated by keywords “Hey Mercedes”	●	●	●	●
Remote and Charging Services Plus <sup>1</sup> (Plug-In Hybrid only)	●	●	●	●
Remote services <sup>1</sup>	–	●	●	●
Smartphone integration <sup>3</sup> comprising Android Auto™ and Apple CarPlay®. Please check on <a href="http://www.apple.com/uk/ios/carplay/">www.apple.com/uk/ios/carplay/</a> or <a href="http://www.android.com/intl/en_uk/auto">www.android.com/intl/en_uk/auto</a> for compatibility and approved apps. Certain features and apps require a 3G or 4G data connection. Control of features available through voice control and controller on centre console	●	●	●	●
Sound personalisation	–	–	–	●
USB package – one USB-C port in the centre console and two USB-C ports under the front centre armrest	●	–	–	–
USB package Plus – two USB-C port in the centre console, two USB-C ports under the front centre armrest and two USB-C ports in the rear centre armrest	–	●	●	●
Wireless charging <sup>3</sup>	●	●	●	●

<sup>1</sup>The connection of the communication module to the mobile phone network including the emergency call system depends on the respective network coverage and availability of network providers

<sup>2</sup>Please be aware Mercedes-Benz emergency call system comes as standard for the first 10 years of the vehicle's lifecycle

<sup>3</sup>Compatible mobile phone required



# Standard equipment Mercedes-AMG GLC

● Standard – Not available

## Battery and Charging

	43 N. E. Premium Plus	43 Edition Midnight	63 S. E. Premium	63 S. E. Premium Plus
Charging cable – Mode 2 cable (5 metres, straight) for domestic socket	–	–	–	● ●
Charging cable – Mode 3 cable (5 metres, straight) for wallbox and public charging station	–	–	–	● ●
Charging system – AC charging system (Plug-In Hybrid only)	–	–	–	● ●

## Engine, Transmission and Suspension

	43 N. E. Premium Plus	43 Edition Midnight	63 S. E. Premium	63 S. E. Premium Plus
4MATIC permanent four-wheel drive	● ●	● ●	–	–
4MATIC+ permanent four-wheel drive	–	–	–	● ●
9G-TRONIC PLUS 9-speed automatic transmission	● ●	● ●	● ●	● ●
Acoustic ambient protection	–	–	–	● ●
AMG ACTIVE RIDE CONTROL roll stabilisation	–	–	–	● ●
AMG Driver's package	–	–	–	● ●
AMG RIDE CONTROL suspension	● ●	● ●	● ●	● ●
Driving modes – AMG DYNAMIC SELECT with a choice of eight driving modes (Electric, Comfort, Battery Hold, Sport, Sport+, Race, Slippery, Individual)	–	–	–	● ●
Driving modes – AMG DYNAMIC SELECT with a choice of five driving modes (Slippery, Comfort, Sport, Sport+, Individual)	● ●	● ●	● ●	–
AMG DYNAMIC PLUS package	–	–	● ●	–

## Exterior

	43 N. E. Premium Plus	43 Edition Midnight	63 S. E. Premium	63 S. E. Premium Plus
Aluminium-look running boards with rubber studs	● ●	–	–	● ●
AMG Exterior Carbon-Fibre package I – front splitter in the AMG front apron in carbon fibre, inserts in the AMG side sill panels in carbon fibre and carbon fibre trim strip in the AMG rear apron	–	–	● ●	–
AMG fuel cap	● ●	● ●	● ●	● ●
AMG Aerodynamics package – expressive front splitter with flics on the sides in high-gloss black, AMG Performance spoiler lip in vehicle colour, additional side attachments for air outlets in the rear apron in high-gloss black and aerodynamically optimised diffuser in high-gloss black	–	–	–	● ●
AMG Night package – exterior features in high-gloss black: trim strip in the front splitter in the AMG front apron, outside mirror housings, inserts in the AMG side sill panels, waistline trim strip and window weatherstrips as well as decorative brace in rear apron. Heat-insulating dark-tinted glass for rear side windows and rear window. AMG exhaust system with two black chrome-plated twin tailpipe trim elements	–	● ●	● ●	–
AMG Night package II – AMG-specific radiator grille, darkened and typography in black chrome on the front wings and rear	–	–	● ●	–
AMG spoiler lip	● ●	● ●	● ●	–
AMG spoiler lip in high-gloss black	–	–	–	● ●
Brake callipers – AMG high-performance composite braking system with red-painted brake callipers and 'AMG' lettering	–	–	● ●	● ●
Brake callipers – AMG high-performance composite braking system with silver-painted brake callipers and 'AMG' lettering	● ●	● ●	–	–
EASY-PACK automatic powered tailgate – the EASY-PACK boot lid can be opened and closed at the touch of a button for more convenient loading and unloading of the boot (SUV only)	● ●	● ●	● ●	● ●
Fuel tank – 62 litres	● ●	● ●	● ●	–
Fuel tank – 65 litres	–	–	–	● ●



# Standard equipment Mercedes-AMG GLC

● Standard – Not available

## Exterior (continued)

	43 N. E. Premium Plus 43 Premium	43 Edition Midnight 43 E. Premium Plus	63 S. E. Premium 63 S. E. Premium Plus	63 S. E. Premium Plus 63 S. E. Premium Plus
Headlamps – DIGITAL LIGHT with Adaptive Highbeam Assist Plus	●	●	–	● ●
Headlamps – DIGITAL LIGHT with projection function	–	–	●	–
Heat- and noise-insulating acoustic glass	●	●	●	● ●
Mercedes-AMG 43 exterior – AMG bodystyling consisting of AMG-specific radiator grille with vertical struts in high-gloss chrome, AMG front apron with sporty, distinctive air intakes with two louvres on each side, AMG side sill panels, AMG rear apron in a diffuser look in black with two round twin tailpipe trim elements in high-gloss chrome, AMG spoiler lip, badge with 'TURBO ELECTRIFIED' lettering on the front wings, Mercedes-AMG-specific model designation on the tailgate	●	●	●	–
Mercedes-AMG 63 exterior – AMG bodystyling consisting of AMG-specific radiator grille with vertical struts and 'AMG' logo, AMG front apron with A-wing in high-gloss black, large closable cooling air inlets, side louvres and flics in high-gloss black and front splitter in matt chrome, specific bonnet with powerdomes and a large central air outlet with cover, flared AMG wings with 'TURBO E PERFORMANCE' lettering on the front wings, AMG side sill panels with inserts in matt chrome, AMG rear apron with diffuser panel in high-gloss black with four diffuser fins and strut in matt chrome, two trapezoidal twin tailpipe trims in high-gloss chrome, AMG spoiler lip on the boot lid in vehicle colour, and AMG model badge on boot lid with 'AMG' lettering on the left and 'GLC 63 S' lettering on the right	–	–	–	● ●
Mirror package – heated and electrically-folding mirrors, automatically-dimming driver's exterior mirror and rear view mirror	●	●	●	● ●
Panoramic sliding sunroof	●	●	●	● ●

	43 N. E. Premium Plus 43 Premium	43 Edition Midnight 43 E. Premium Plus	63 S. E. Premium 63 S. E. Premium Plus	63 S. E. Premium Plus 63 S. E. Premium Plus
Petrol Particulate Filter (PPF) – all petrol engines	●	●	●	● ●
Privacy glass – heat-insulating dark-tinted glass	●	●	●	● ●
Radiator grille – AMG-specific radiator grille with vertical struts in high-gloss chrome and AMG logo	●	●	●	● ●
Rain-sensing windscreen wipers	●	●	●	● ●
Roof rails – black (SUV only)	–	●	●	– ●
Roof rails – polished aluminium (SUV only)	●	–	–	● –
Tail lamps – full LED	●	●	●	● ●
Wheel arch liners in the vehicle colour	●	●	●	● ●

## Wheels

	43 N. E. Premium Plus 43 Premium	43 Edition Midnight 43 E. Premium Plus	63 S. E. Premium 63 S. E. Premium Plus	63 S. E. Premium Plus 63 S. E. Premium Plus
20" AMG alloy wheels – Y-spoke design, aerodynamically optimised, painted matt black with a high-sheen finish, 265/40 R21 tyres (front); 295/35 (rear) R21 tyres (code RWM)	●	–	–	–
21" AMG alloy wheels – cross-spoke design, painted matt black with a high-sheen rim flange, 265/40 R21 tyres (front); 295/35 R21 tyres (rear) (code RWL)	–	–	–	●
21" AMG alloy wheels – cross-spoke design, painted tantalum grey with a high-sheen rim flange, 265/40 R21 tyres (front); 295/35 R21 tyres (rear) (code RWK)	–	–	–	● –
21" AMG alloy wheels – Y-spoke design, aerodynamically optimised, painted matt black high-sheen rim flange, 265/40 R21 tyres (front); 295/35 R21 tyres (rear) (code RWN)	–	●	●	–
Summer tyres	●	●	●	● ●

[Book a test drive](#)[Find your GLC](#)[Find a Showroom](#)

# Standard equipment Mercedes-AMG GLC

● Standard   ○ Optional   – Not available

## Interior

	43 N. E. Premium Plus	43 N. E. Premium Plus	63 S. E. Premium	63 S. E. Premium	63 S. E. Premium Plus
Ambient lighting Premium with projection of brand logo and 64 colours. Dynamic multicolour LED lighting of trim on dashboard, centre console, and front and rear door panelling; in front and rear door pockets, cup holder and stowage compartment, rear footwell and rear door handle recesses	●	●	●	●	●
AMG brushed stainless steel sports pedals with black rubber studs	●	●	●	●	●
AMG Real Performance Sound	●	●	●	●	●
Boot Comfort package	●	●	●	●	●
Electric windows (4) – one-touch opening and closing, including obstruction sensors	●	●	●	●	●
Electronic key – chrome surround	●	●	●	●	●
Door sills – illuminated door sills with 'AMG' lettering and with exchangeable cover	●	●	●	●	●
Floor mats – black with 'AMG' lettering	●	●	●	●	●
Interior Lighting package – lighting of footwells, door handle recesses, as well as rear reading lamps (LED) and courtesy lights in all doors	●	●	●	●	●
KEYLESS-GO Comfort package	●	●	●	●	●
KEYLESS-GO entry and starting function	●	●	●	●	●
Load compartment cover	●	●	●	●	●
Memory package – driver's seat, front passenger seat, steering column and exterior mirrors – electrically adjustable with memory	●	●	●	●	●
Mercedes-AMG 43 interior	●	●	●	–	–
Mercedes-AMG 63 interior	–	–	–	●	●
Outside temperature display	●	●	●	●	●

	43 N. E. Premium Plus	43 N. E. Premium Plus	63 S. E. Premium	63 S. E. Premium	63 S. E. Premium Plus
Partition net	●	●	●	●	●
Seat Comfort package – driver and front passenger seat, electro-pneumatic four-way lumbar support and manual seat cushion depth adjustment (6cm)	●	●	●	–	–
Seats – AMG Performance Seat package High-End consisting of AMG Performance seats, multi-contour seats for driver and front passenger, seat heating for driver and front passenger, 'AMG' lettering in seat backrests, 'AMG' emblem in the head restraint, chrome trim and perforated seats	–	–	●	–	●
Seats – AMG Performance Seat package Advanced consisting of Performance-optimised seats for driver and front passenger with pronounced side bolsters, fully electric adjustment options and seat heating	–	–	–	●	–
Seats – AMG sport seats	●	●	–	○	○
Seats – climatised (front)	–	●	●	–	●
Seats – with electrical height and back, and four-way lumbar adjustment (front)	●	●	●	●	●
Seats – heated (front)	●	–	–	●	–
Seats – split-folding 40:20:40 (rear)	●	●	●	●	●
Stowage – double cup holder in centre console	●	●	●	●	●
Stowage – front centre armrest with stowage compartment	●	●	●	●	●
Stowage – illuminated and lockable glove compartment	●	●	●	●	●
Stowage Space package – luggage net in boot and folding box under luggage compartment floor	●	●	●	●	●
Sun visors with illuminated vanity mirrors	●	●	●	●	●
THERMATIC two-zone automatic climate control	●	●	–	●	●
THERMOTRONIC four-zone automatic climate control	–	–	●	–	–

[Book a test drive](#)[Find your GLC](#)[Find a Showroom](#)

# Standard equipment Mercedes-AMG GLC

● Standard   ○ Optional   □ No-cost option   – Not available

## Steering

	43 N. E. Premium	43 Edition Premium Plus	63 S. E. Premium	63 S. E. Premium Plus	63 S. E. Premium Plus
Steering – rear axle steering	●	●	●	●	●
Steering – sports Direct-Steer system with speed sensitive steering	●	●	●	●	●
Steering column – electrically adjustable for height and reach	●	●	●	●	●
Steering wheel – AMG Performance steering wheel in carbon fibre design/MICROCUT microfibre	–	–	●	–	●
Steering wheel – AMG Performance steering wheel in nappa leather	●	●	–	–	–
Steering wheel – AMG Performance steering wheel in nappa leather/MICROCUT microfibre	–	–	–	●	–
Steering wheel – AMG steering wheel buttons	●	●	–	●	●
Steering wheel – multifunction with audio, onboard settings control and gearshift paddles on steering wheel	●	●	●	●	●
Steering wheel – heated	–	●	●	–	●

## Paint, Trim and Upholstery

Centre console in high-gloss black	–	●	●	●	●
Centre console in metal-structure finish	●	–	–	–	–
Dashboard – ARTICO man-made leather with contrast stitching	●	●	●	●	●
Paint – non-metallic	●	●	–	●	●
Paint – MANUFAKTUR magno/metallic	–	–	●	–	–
Roof liner – black fabric	●	●	●	●	●
Seat belts – black	●	●	●	●	●
Seat belts – red <sup>1</sup>	○	○	○	□	□

	43 N. E. Premium	43 Edition Premium Plus	63 S. E. Premium	63 S. E. Premium Plus	63 S. E. Premium Plus
Trim – black open-pore aluminium lines wood trim	●	–	–	–	–
Trim – carbon fibre trim	–	●	●	●	●
Upholstery – AMG leather	●	●	●	–	–
Upholstery – AMG nappa leather	–	–	–	–	●
Upholstery – ARTICO man-made leather upholstery/MICROCUT microfibre	–	–	–	●	–

## Safety and Assistance Systems

Active bonnet – pedestrian safety measure which detects an impact and raises bonnet	●	●	●	●	●
Active Brake Assist Plus <sup>2</sup>	●	●	●	●	●
Active Lane Keeping Assist <sup>2</sup>	●	●	●	●	●
Acoustic presence indicator	●	●	●	●	●
Adaptive brake lights	●	●	●	●	●
Adaptive Brake Assist with HOLD function and brake-drying function	●	●	●	●	●
Anti-lock braking system (ABS)	●	●	●	●	●
Anti-theft alarm system with immobiliser and interior protection	●	●	●	●	●
ATTENTION ASSIST – can help alert to long journey fatigue	●	●	●	●	●
Automatic child seat recognition sensor	●	●	●	●	●
Automatic front passenger airbag deactivation	●	●	●	●	●
COLLISION PREVENTION ASSIST PLUS – the driver is given a visual warning if the distance from a vehicle in front is inadequate. On detecting the danger of a collision there is an acoustic warning, driver braking can be assisted and, if the driver fails to react, the speed can be reduced autonomously. Autonomous partial braking only occurs if the driver fails to react and is travelling at a speed range between 4–65 mph speeds for moving objects and 4–31 mph for stationary objects	●	●	●	●	●

<sup>1</sup>Not in conjunction with sienna brown/black (code 294A) or power red/black (code 297A) AMG leather upholstery

<sup>2</sup>Our driver assistance and safety systems are aids and do not relieve you of your responsibility as the driver. Please take note of the information in the Owner's Manual and the system limits which are described therein



[Book a test drive](#)[Find your GLC](#)[Find a Showroom](#)

# Standard equipment Mercedes-AMG GLC

● Standard    – Not available

## Safety and Assistance Systems (continued)

	43 N. E. Premium Plus	43 Edition Midnight	63 S. E. Premium	63 S. E. Premium Plus	63 S. E. Premium Plus		43 N. E. Premium Plus	43 Edition Midnight	63 S. E. Premium	63 S. E. Premium Plus	63 S. E. Premium Plus
Blind Spot Assist	●	●	●	●	●	ISOFIX child seat attachment points with top tether in rear	●	●	●	●	●
Central locking with interior switch, automatic locking and crash sensor with emergency opening function	●	●	●	●	●	Mercedes-Benz emergency call system <sup>3</sup>	●	●	●	●	●
Childproof locks – manually operated for rear doors and electrically operated for rear power windows	●	●	●	●	●	Parking package – Active Park Assist <sup>1</sup> with PARKTRONIC and 360° camera. Detects parking spaces at up to 22 mph, controls steering, in conjunction with automatic transmission it also helps with accelerating, braking and changing gear. Visual and audible warning of detected obstacles based on distance and position and on detecting crossing traffic when reversing out of a parking space. System is able to briefly limit the moving-off speed when an obstacle is detected in the direction of travel	●	●	●	●	●
Driving Assistance package Plus <sup>1</sup>	–	○	○	○	●	Remote boot release	●	●	●	●	●
Dual-stage airbags – driver and front passenger; sidebags in front seats; driver kneebag; pelvis bag and windowbags for driver, front passenger and rear passengers; central airbag between driver and front passenger	●	●	●	●	●	Service indicator ASSYST	●	●	●	●	●
Electronic parking brake	●	●	●	●	●	SPEEDTRONIC cruise control with variable speed limiter	●	●	●	●	●
Electronic Stability Programme (ESP®) with Curve Dynamic Assist and Crosswind Assist – for greater driving safety and stability, in particular when accelerating on bends; counters understeer by one-sided braking action. Detects sudden, strong gusts of wind and helps the driver stay in lane by means of targeted braking	●	●	●	●	●	Status display for rear seat belts in instrument cluster	●	●	●	●	●
First-aid kit and warning triangle	●	●	●	●	●	TIREFIT with tyre inflation compressor	●	●	●	●	●
Fluorescent jacket for driver	●	●	●	●	●	Traffic Sign Assist – traffic sign recognition including wrong-way warning function and display of posted speed limits in the instrument cluster	●	●	●	●	●
GUARD 360° Vehicle Protection Plus <sup>2</sup>	●	●	●	●	●	Transparent bonnet	●	●	●	●	●
Increased anti-theft protection	●	●	●	●	●	Tyre pressure monitoring and loss warning system	●	●	●	●	●

<sup>1</sup>Our driver assistance and safety systems are aids and do not relieve you of your responsibility as the driver. Please take note of the information in the Owner's Manual and the system limits which are described therein of network providers

<sup>2</sup>Please be aware Mercedes-Benz emergency call system comes as standard for the first 10 years of the vehicle's lifecycle

<sup>3</sup>The connection of the communication module to the mobile phone network including the emergency call system depends on the respective network coverage and availability

[Book a test drive](#)[Find your GLC](#)[Find a Showroom](#)

# Standard equipment Mercedes-AMG GLC

● Standard    – Not available

## Communications and In-Car Entertainment

	43 N. E. Premium Plus	43 Edition Midnight	63 S. E. Premium	63 S. E. Premium Plus	63 S. E. Premium Plus
AMG Track Pace	–	–	–	●	●
Burmester® 3D surround sound system with sound personalisation	–	●	●	–	●
Dashcam	●	●	●	●	●
Digital Extras (standard services) <sup>1</sup> – emergency call system (eCall) <sup>2</sup> , accident recovery, breakdown management and maintenance management	●	●	●	●	●
Digital Extras <sup>1</sup> (Vehicle Set-up <sup>1</sup> and Vehicle Monitoring) – onboard use of remote and location services, e.g. geographic vehicle monitoring, vehicle location, remote door locking and unlocking <sup>1</sup> , remote interrogation of vehicle status. Remote Online subscription services are limited to three years from initial registration, and can be extended at additional cost	●	●	●	●	●
Display – 11.9-inch high-resolution multimedia colour display	●	●	●	●	●
Display – 12.3-inch digital individually configurable instrument display	●	●	●	●	●
DAB digital radio tuner	●	●	●	●	●
Fingerprint scanner	●	●	●	●	●
Head-up display	–	●	●	–	●
Instrument display in miles with English lettering	●	●	●	●	●
MBUX augmented reality for navigation	●	●	●	●	●
MBUX extended functions <sup>1</sup> (requires an active internet connection by activating a data option with an external mobile network operator or by using your mobile phone as a hotspot via tethering)	●	●	●	●	●

	43 N. E. Premium Plus	43 Edition Midnight	63 S. E. Premium	63 S. E. Premium Plus	63 S. E. Premium Plus
MBUX Interior Assist	–	–	●	–	–
MBUX Navigation Premium	●	●	●	●	●
MBUX voice control activated by keywords “Hey Mercedes”	●	●	●	●	●
Pre-installation for digital key transfer <sup>1</sup>	●	●	●	●	●
Remote services <sup>1</sup>	●	●	●	–	–
Remote and Charging Services Plus <sup>1</sup>	–	–	–	●	●
Smartphone integration <sup>2</sup> comprising Android Auto™ and Apple CarPlay®. Please check on <a href="http://www.apple.com/uk/ios/carplay/">www.apple.com/uk/ios/carplay/</a> or <a href="http://www.android.com/intl/en_uk/auto">www.android.com/intl/en_uk/auto</a> for compatibility and approved apps. Certain features and apps require a 3G or 4G data connection. Control of features available through voice control and controller on centre console	●	●	●	●	●
USB package Plus – two USB-C ports in the centre console, two USB-C ports under the front centre armrest and two USB-C ports for the rear on the centre armrest	●	●	●	●	●
Wireless charging <sup>2</sup> surface integrated into quick stowage tray in front of centre console. Quick establishment of connection between multimedia system and mobile phone via Near Field Communication (NFC)	●	●	●	●	●

<sup>1</sup>The connection of the communication module to the mobile phone network including the emergency call system depends on the respective network coverage and availability of network providers

<sup>2</sup>Compatible mobile phone required

# Genuine accessories

We've developed a range of accessories you can add to help personalise and enhance your GLC.



## Velour floor mats CLASSIC

Floor mats have to undergo rigorous testing before they are deemed worthy of the star logo: durability, fade-resistant colour and a neutral odour. The mats are precision-tailored to your Mercedes-Benz. (SUV: A25468042049J74)



## All season floor mats

Floor mats have to undergo rigorous testing before they are deemed worthy of the star logo. The mats are precision-tailored to your Mercedes-Benz. Can be clip-fastened to the floor of the vehicle to prevent slipping. (Coupé front: A25368044019G33; rear: A25368041059G33)



## DUO plus child seat, with ISOFIX

Safe and secure: children between the ages of 9 months and 4 years (weight 9 to 18 kg) will enjoy travelling in the DUO plus child seat from Mercedes-Benz. The seat offers optimum protection in the event of an accident. A quick change of position: sitting, reclining and sleeping positions are adjustable with one simple manoeuvre. (SUV: A0009704302)



## Reversible mat

Black reversible mat. 100% polyester. Double-sided: rubberised, non-slip side and high-quality velour side. Design allows the concertina load sill protector to be connected. Tailored to the contours of the load compartment. (Coupé: A2536807103)



## Boot tub

Made from impact-resistant, non-slip polypropylene. Structured surface holds separately available stowage crate in place. Vehicle's load-securing rings remain accessible. (SUV: A2548140000, SUV Hybrid: A2548140100; Coupé: A2538140200)

All the above accessories are subject to availability and compatibility. Please ask your Mercedes-Benz Authorised Repairer for more information Images shown are for illustration purposes only

### Mercedes-Benz roof box 450, opens on both sides

Mercedes-Benz roof box, available in different colour variants to coordinate with Mercedes-Benz Passenger Cars paintwork. Impact-resistant, sturdy, durable, recyclable, spray-protected. Opens on both sides. Single lock system with 3 locking mechanisms on each side. Gas-filled struts for easy opening and closing of lid. Maximum load capacity of 75 kg. Unladen weight of 20 kg. The roof box allows transport of winter and summer leisure accessories. (SUV and Coupé: A0008401200)



### Basic carrier bars

Aerodynamic basic carrier bars in aluminium. Multifunctional basis for attaching all Mercedes-Benz transport and leisure accessories. (SUV: A2548901300; Coupé: A2538901100)



### Bicycle rack

Extremely lightweight bicycle rack, designed to allow you to attach a bicycle to the basic carrier bars. Please bear in mind your vehicle's permissible roof load. Bicycle racks are supplied singly. (SUV: A0008900293)



### Concertina load sill protector

The concertina load sill protector not only protects the boot from contamination, but also protects the bumper and boot sill from becoming scratched. The load sill guard can be attached via hooks to the lifting eyes or can be attached via a velcro strip to the reversible mat or roof box. (Coupé: A2536932000)

All the above accessories are subject to availability and compatibility. Please ask your Mercedes-Benz Authorised Repairer for more information. Images shown are for illustration purposes only.

Design	Technology	Plug-in Hybrid	Model lines	Upholstery	Model prices	Mercedes-AMG	Mercedes-AMG upholstery	Mercedes-AMG prices	Personalisation	Standard equipment	Genuine accessories	Technical data	Additional information
--------	------------	----------------	-------------	------------	--------------	--------------	-------------------------	---------------------	-----------------	--------------------	---------------------	----------------	------------------------



### Load sill guard

The load sill guard in a chrome look reliably protects the boot sill of the vehicle against damage and signs of wear. The load sill guard precisely adapts to the contours of the vehicle and, thanks to the carefully selected materials, ensures a high-class appeal. (SUV: A2546931300)



### Automatic trailer coupling

Automatic folding trailer coupling, specifically for Mercedes-Benz vehicles. High corrosion protection. (Coupé: A2533150900)



### Design side trim

Mercedes-Benz Sport Equipment side trim design with matt black finish. Lends the vehicle a more masculine effect and emphasises the sporty and dynamic look. Simply secured in place using special adhesive tape. (SUV: A2547207401)

All the above accessories are subject to availability and compatibility. Please ask your Mercedes-Benz Authorised Repairer for more information. Images shown are for illustration purposes only.

Design	Technology	Plug-in Hybrid	Model lines	Upholstery	Model prices	Mercedes-AMG	Mercedes-AMG upholstery	Mercedes-AMG prices	Personalisation	Standard equipment	Genuine accessories	Technical data	Additional information
--------	------------	----------------	-------------	------------	--------------	--------------	-------------------------	---------------------	-----------------	--------------------	---------------------	----------------	------------------------

[Book a test drive](#)[Find your GLC](#)[Find a Showroom](#)

# Technical data SUV

● Standard – Not available

Model	GLC220 d 4MATIC	GLC300 d 4MATIC	GLC300 de 4MATIC	GLC300 4MATIC	GLC300 e 4MATIC
<b>Engine</b>					
Fuel delivery	Diesel	Diesel	Diesel	Petrol	Petrol
Total displacement	cc 1,993	1,993	1,993	1,999	1,999
Arrangement/cylinders/valves	in-line/4/16	in-line/4/16	in-line/4/16	in-line/4/16	in-line/4/16
Power <sup>1</sup>	hp (kW) at rpm				
Combustion engine	197 (145)/3,600	269 (198)/4,200	197 (145)/3,600	258 (190)/3,200	204 (150)/6,100
Electric motor	-	-	136 (100)/2,100	-	136 (100)/2,100
Mild hybrid drive	22 (17)	22 (17)	-	22 (17)	-
Torque <sup>1</sup>	Nm at rpm				
Combustion engine	440/1,800–2,800	550/1,800–2,200	440/1,800–2,800	400/2,000–3,200	320/2,000–4,000
Electric motor	-	-	440	-	440
Compression ratio	15.5:1	15.5:1	15.5:1	10.0:1	10.0:1
Equivalent All-Electric Range (EAER) <sup>2</sup>	mi -	-	71-78	-	71-78
Battery type (capacity)	kWh -	-	Lithium-ion/24.8	-	Lithium-ion/24.8
Power consumption, combined <sup>2,3</sup>	kWh/100 km -	-	227-251	-	226-246
Charging time					
DC charging (60 kW DC) 10–80% <sup>4</sup>	-	-	20 mins	-	20 mins
Wallbox (11 kW AC) 10–100% <sup>5</sup>	-	-	2 hrs 45 mins	-	2 hrs 45 mins
Capacity on-board charger	kW -	-	11 AC, 60 DC	-	11 AC, 60 DC
Emissions standard	Euro 6e	Euro 6e	Euro 6e	Euro 6e	Euro 6e
<b>Transmission</b>					
9G-TRONIC PLUS 9-speed automatic	●	●	●	●	●

<sup>1</sup>Figures according to Directive 80/1269/EEC in the currently applicable version <sup>2</sup>The indicated values were determined according to the prescribed measurement method - Worldwide Harmonised Light Vehicle Test Procedure (WLTP). Figures shown may include options which are not available in the UK. For Plug-in Hybrid Electric Vehicle (PHEV) figures determined with the battery fully charged, using a combination of both battery power and fuel. These models require mains electricity for charging <sup>3</sup>The certified electrical consumption is generally determined at maximum AC charging capacity using a Mode 3 cable. It is therefore recommended that vehicles with a HV battery preferably be charged at a wallbox or an AC charging station with a Mode 3 cable in order to achieve shorter charging times and improved charging efficiency <sup>4</sup>Specified voltage and current values refer to network infrastructure and can be limited by the vehicle. Times are from 10-80% charge using a wallbox (three-phase) or standard socket (single-phase) <sup>5</sup>Specified voltage and current values refer to network infrastructure and can be limited by the vehicle. Times are from 10-100% charge using a wallbox (three-phase) or standard socket (single-phase)

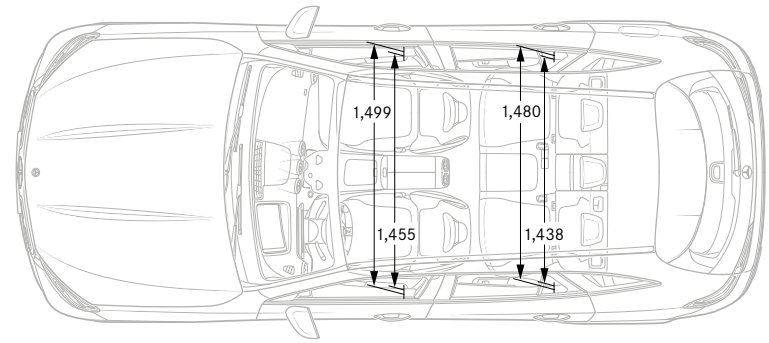
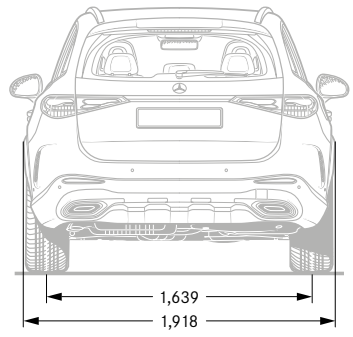
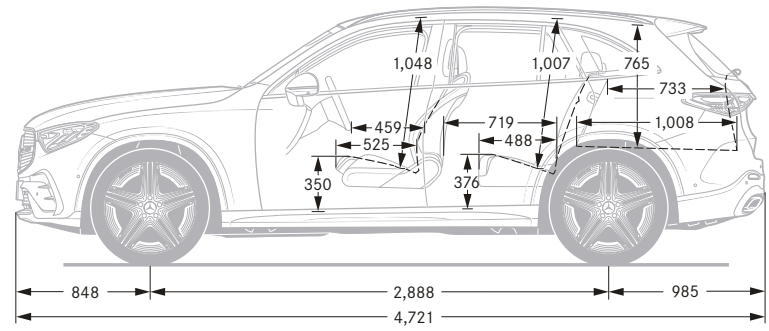
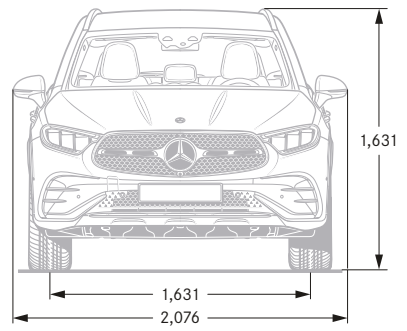
[Book a test drive](#)[Find your GLC](#)[Find a Showroom](#)

# Technical data SUV

Model		GLC220 d 4MATIC	GLC 300 d 4MATIC	GLC 300 de 4MATIC	GLC 300 4MATIC	GLC 300 e 4MATIC
<b>Performance</b>						
Acceleration 0–62 mph	sec	8.0	6.3	6.4	6.2	6.7
Top speed (electric mode)	mph	136	151	135 (87)	149	135 (87)
<b>Weights and capacities</b>						
Kerb weight <sup>6</sup>	kg	1,985	2,000	2,385	1,910	2,325
Perm. Gross Vehicle Weight	kg	2,550	2,570	2,885	2,510	2,840
Boot capacity – seats up/seats down	l	620/1,680	620/1,680	470/1,530	620/1,680	470/1,530
Towing capacity – unbraked/braked	kg	750/2,500	750/2,500	750/2,000	750/2,400	750/2,000
Fuel tank capacity/of which reserve	l	62/7	62/7	62/7	62/7	49/7
Turning circle	m	11.8	11.8	11.8	11.8	11.8
<b>Fuel consumption<sup>7,8,9</sup></b>						
Combined (consumption dependent on chosen optional equipment)	l/100 km	5.5–5.3	5.9–5.8	0.5–0.4	7.6–7.4	0.6
	mpg	51.4–53.3	47.9–48.7	565.0	37.2–38.2	470.8
<b>Insurance</b>						
Group rating		40E–41E	44E	49E–50E	42E–43E	47E–48E
Insurance ratings may vary depending on model line and specification.						

<sup>6</sup>Mass of the vehicle in running order with at least 90% full fuel tank, plus the mass of the driver (estimated by law at 75 kg), fuel and fluids, equipped with the standard equipment as specified by the manufacturer as well as, where applicable, the mass of the body, cab, trailer coupling and spare wheel(s) as well as tools. Optional extras, additional equipment and accessories can influence the weight, residual payload, rolling resistance, aerodynamics, etc., and therefore also affect the consumption/CO<sub>2</sub> values <sup>7</sup>All figures are based on a standard specification with the smallest tyre size <sup>8</sup>The choice of wheels and transmission may affect CO<sub>2</sub> emissions and corresponding Road Fund Licence <sup>9</sup>The indicated values were determined according to the prescribed measurement method - Worldwide Harmonised Light Vehicle Test Procedure (WLTP). Figures shown may include options which are not available in the UK

# GLC SUV



All measurements in millimetres. The dimensions shown are mean values and apply to standard-specification, unladen vehicles

Design	Technology	Plug-in Hybrid	Model lines	Upholstery	Model prices	Mercedes-AMG	Mercedes-AMG upholstery	Mercedes-AMG prices	Personalisation	Standard equipment	Genuine accessories	Technical data	Additional information
--------	------------	----------------	-------------	------------	--------------	--------------	-------------------------	---------------------	-----------------	--------------------	---------------------	----------------	------------------------



[Book a test drive](#)[Find your GLC](#)[Find a Showroom](#)

# Technical data Coupé

● Standard    – Not available

Model	GLC220 d 4MATIC	GLC300 d 4MATIC	GLC300 4MATIC	GLC300 e 4MATIC
<b>Engine</b>				
Fuel delivery	Diesel	Diesel	Petrol	Petrol
Total displacement	cc 1,993	1,993	1,999	1,999
Arrangement/cylinders/valves	in-line/4/16	in-line/4/16	in-line/4/16	in-line/4/16
Power <sup>1</sup>	hp (kW) at rpm			
Combustion engine	197 (145)/3,600	269 (198)/4,200	258 (190)/5,800	204 (150)/6,100
Electric motor	–	–	–	136 (100)/2,100
Mild hybrid drive	22 (17)	22 (17)	22 (17)	–
Torque <sup>1</sup>	Nm at rpm			
Combustion engine	440/1,800–2,800	550/1,800–2,200	400/2,000–3,200	320/2,000–4,000
Electric motor	–	–	–	440
Compression ratio	15.5:1	15.5:1	10.0:1	10.0:1
Equivalent All-Electric Range (EAER) <sup>2</sup>	mi –	–	–	76-77
Battery type (capacity)	kWh –	–	–	Lithium-ion/324.8
Power consumption, combined <sup>2,3</sup>	kWh/100 km –	–	–	224–246
Charging time				
DC charging (60 kW DC) 10–80% <sup>4</sup>	–	–	–	20 mins
Wallbox (11 kW AC) 10–100% <sup>5</sup>	–	–	–	2 hrs 45 mins
Capacity on-board charger	kW –	–	–	11 AC, 60 DC
Emissions standard	Euro 6e	Euro 6e	Euro 6e	Euro 6e
<b>Transmission</b>				
9G-TRONIC PLUS 9-speed automatic	●	●	●	●

<sup>1</sup>Figures according to Directive 80/1269/EEC in the currently applicable version    <sup>2</sup>The indicated values were determined according to the prescribed measurement method - Worldwide Harmonised Light Vehicle Test Procedure (WLTP). Figures shown may include options which are not available in the UK. For Plug-in Hybrid Electric Vehicle (PHEV) figures determined with the battery fully charged, using a combination of both battery power and fuel. These models require mains electricity for charging    <sup>3</sup>The certified electrical consumption is generally determined at maximum AC charging capacity using a Mode 3 cable. It is therefore recommended that vehicles with a HV battery preferably be charged at a wallbox or an AC charging station with a Mode 3 cable in order to achieve shorter charging times and improved charging efficiency    <sup>4</sup>Specified voltage and current values refer to network infrastructure and can be limited by the vehicle. Times are from 10-80% charge using a wallbox (three-phase) or standard socket (single-phase)    <sup>5</sup>Specified voltage and current values refer to network infrastructure and can be limited by the vehicle. Times are from 10-100% charge using a wallbox (three-phase) or standard socket (single-phase)

[Book a test drive](#)[Find your GLC](#)[Find a Showroom](#)

# Technical data Coupé

Model		GLC 220 d 4MATIC	GLC 300 d 4MATIC	GLC 300 4MATIC	GLC 300 e 4MATIC
<b>Performance</b>					
Acceleration 0–62 mph	sec	8.1	6.4	6.3	6.7
Top speed (electric mode)	mph	140	155	153	137 (87)
<b>Weights and capacities</b>					
Kerb weight <sup>6</sup>	kg	2,005	2,020	1,930	2,320
Perm. Gross Vehicle Weight	kg	2,550	2,570	2,510	2,880
Boot capacity – seats up/seats down	l	545/1,490	545/1,490	545/1,490	390/1,335
Towing capacity – unbraked/braked	kg	750/2,500	750/2,500	750/2,400	750/2,000
Fuel tank capacity/of which reserve	l	62/7	62/7	62/7	49/7
Turning circle	m	11.8	11.8	11.8	11.8
<b>Fuel consumption<sup>7,8,9</sup></b>					
Combined (consumption dependent on chosen optional equipment)	l/100 km mpg	5.4–5.2 52.3–54.3	5.8–5.7 48.7–49.6	7.4–7.3 37.7–38.7	0.6 470.8
<b>Insurance</b>					
Group rating		41E-42E	44E-45E	43E-44E	47E-49E
Insurance ratings may vary depending on model line and specification.					

<sup>6</sup>Mass of the vehicle in running order with at least 90% full fuel tank, plus the mass of the driver (estimated by law at 75 kg), fuel and fluids, equipped with the standard equipment as specified by the manufacturer as well as, where applicable, the mass of the body, cab, trailer coupling and spare wheel(s) as well as tools. Optional extras, additional equipment and accessories can influence the weight, residual payload, rolling resistance, aerodynamics, etc., and therefore also affect the consumption/CO<sub>2</sub> values <sup>7</sup>All figures are based on a standard specification with the smallest tyre size <sup>8</sup>The choice of wheels and transmission may affect CO<sub>2</sub> emissions and corresponding Road Fund Licence <sup>9</sup>The indicated values were determined according to the prescribed measurement method - Worldwide Harmonised Light Vehicle Test Procedure (WLTP). Figures shown may include options which are not available in the UK



Book a test drive

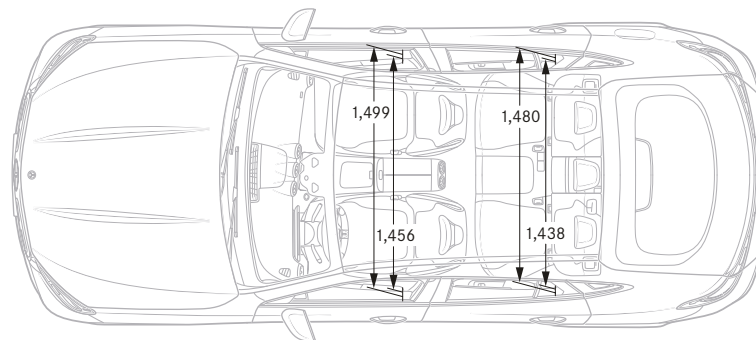
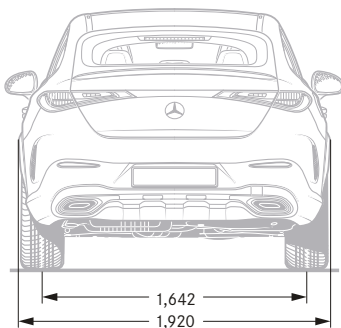
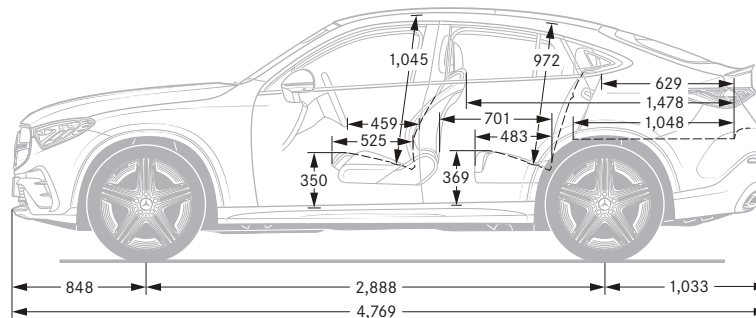
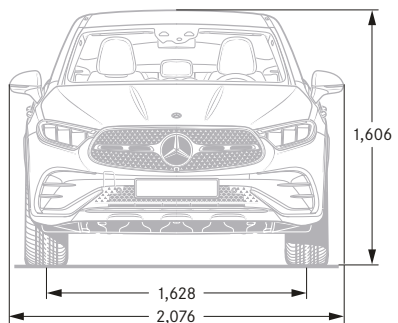


Find your GLC



Find a Showroom

# GLC Coupé



All measurements in millimetres. The dimensions shown are mean values and apply to standard-specification, unladen vehicles

Design	Technology	Plug-in Hybrid	Model lines	Upholstery	Model prices	Mercedes-AMG	Mercedes-AMG upholstery	Mercedes-AMG prices	Personalisation	Standard equipment	Genuine accessories	Technical data	Additional information
--------	------------	----------------	-------------	------------	--------------	--------------	-------------------------	---------------------	-----------------	--------------------	---------------------	----------------	------------------------

[Book a test drive](#)[Find your GLC](#)[Find a Showroom](#)

# Technical data Mercedes-AMG SUV and Coupé

● Standard – Not available

Model	Mercedes-AMG GLC 43 4MATIC (SUV)	Mercedes-AMG GLC 43 4MATIC (Coupé)	Mercedes-AMG GLC 63 S E PERFORMANCE 4MATIC+ (SUV)	Mercedes-AMG GLC 63 S E PERFORMANCE 4MATIC+ (Coupé)
<b>Engine</b>				
Fuel delivery	Petrol	Petrol	Petrol	Petrol
Total displacement cc	1,991	1,991	1,991	1,991
Arrangement/cylinders/valves	in-line/4/16	in-line/4/16	in-line/4/16	in-line/4/16
Power <sup>1</sup> hp (kW) at rpm				
Combustion engine	421 (310)/6,750	421 (310)/6,750	476 (350)/6,750	476 (350)/6,750
Electric motor	–	–	204 (150)/500	204 (150)/500
Mild hybrid drive	22 (17)	22 (17)	–	–
Torque <sup>1</sup> Nm at rpm				
Combustion engine	500/5,000	500/5,000	545/5,250–5,500	545/5,250–5,500
Electric motor	–	–	320	320
Compression ratio	10.0:1	10.0:1	9.0:1	9.0:1
Equivalent All-Electric Range (EAER) <sup>2</sup> mi	–	–	7	7
Battery type (capacity) kWh	–	–	Lithium-ion/4.8	Lithium-ion/4.8
Power consumption, combined <sup>2,3</sup> kWh/100 km	–	–	127	127
Charging time				
Wallbox (3.7 kW AC) 25–80% <sup>4</sup>	–	–	1 hr 40 mins	1 hr 40 mins
Capacity on-board charger kW	–	–	3.7 AC	3.7 AC
Emissions standard	Euro 6e	Euro 6e	Euro 6e	Euro 6e
<b>Transmission</b>				
9G-TRONIC PLUS 9-speed automatic	●	●	●	●

<sup>1</sup>Figures according to Directive 80/1269/EEC in the currently applicable version    <sup>2</sup>The indicated values were determined according to the prescribed measurement method - Worldwide Harmonised Light Vehicle Test Procedure (WLTP). Figures shown may include options which are not available in the UK. For Plug-in Hybrid Electric Vehicle (PHEV) figures determined with the battery fully charged, using a combination of both battery power and fuel. These models require mains electricity for charging    <sup>3</sup>The certified electrical consumption is generally determined at maximum AC charging capacity using a Mode 3 cable. It is therefore recommended that vehicles with a HV battery preferably be charged at a wallbox or an AC charging station with a Mode 3 cable in order to achieve shorter charging times and improved charging efficiency    <sup>4</sup>Specified voltage and current values refer to network infrastructure and can be limited by the vehicle. Times are from 25-80% charge using a wallbox (three-phase) or standard socket (single-phase)



# Technical data Mercedes-AMG SUV and Coupé

Model		Mercedes-AMG GLC 43 4MATIC (SUV)	Mercedes-AMG GLC 43 4MATIC (Coupé)	Mercedes-AMG GLC 63 S E PERFORMANCE 4MATIC+ (SUV)	Mercedes-AMG GLC 63 S E PERFORMANCE 4MATIC+ (Coupé)
<b>Performance</b>					
Acceleration 0–62 mph	sec	4.8	4.8	3.5	3.5
Top speed (electric mode)	mph	155	155	171	171

## Weights and capacities

Kerb weight <sup>5</sup>	kg	1,975	1,995	2,310	2,310
Perm. Gross Vehicle Weight	kg	2,550	2,535	2,885	2,860
Boot capacity – seats up/seats down	l	620/1,680	545/1,490	470/1,530	–/1,335
Towing capacity – unbraked/braked	kg	750/1,800	750/1,800	750/1,800	750/1,800
Fuel tank capacity/of which reserve	l	62/7	62/7	65/10	65/10
Turning circle	m	12.43	12.43	12.30	12.30

## Fuel consumption<sup>6,7,8</sup>

Combined (consumption dependent on chosen optional equipment)	l/100 km	10.6–10.5	10.5–10.4	11.0	11.0
	mpg	26.7–26.9	26.9–27.2	25.7	25.7

## Insurance

Group rating	45E-46E	45E-46E	50E	tbc
--------------	---------	---------	-----	-----

Insurance ratings may vary depending on model line and specification.

<sup>5</sup>Mass of the vehicle in running order with at least 90% full fuel tank, plus the mass of the driver (estimated by law at 75 kg), fuel and fluids, equipped with the standard equipment as specified by the manufacturer as well as, where applicable, the mass of the body, cab, trailer coupling and spare wheel(s) as well as tools. Optional extras, additional equipment and accessories can influence the weight, residual payload, rolling resistance, aerodynamics, etc., and therefore also affect the consumption/CO<sub>2</sub> values <sup>6</sup>All figures are based on a standard specification with the smallest tyre size <sup>7</sup>The choice of wheels and transmission may affect CO<sub>2</sub> emissions and corresponding Road Fund Licence <sup>8</sup>The indicated values were determined according to the prescribed measurement method - Worldwide Harmonised Light Vehicle Test Procedure (WLTP). Figures shown may include options which are not available in the UK



Book a test drive

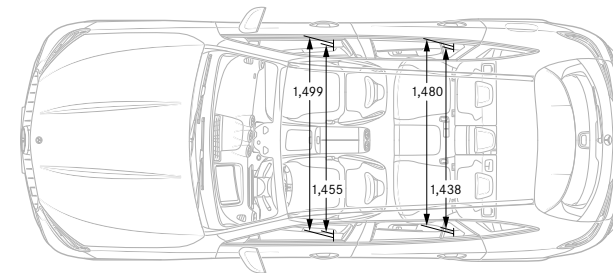
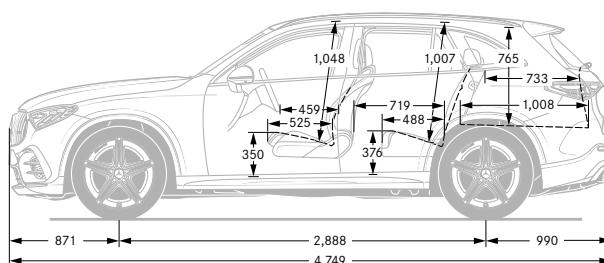
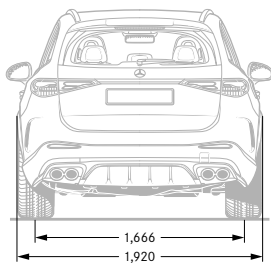
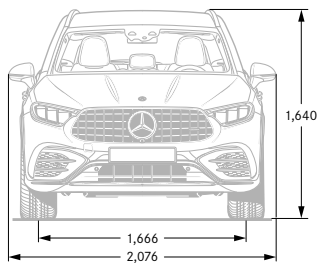


Find your GLC

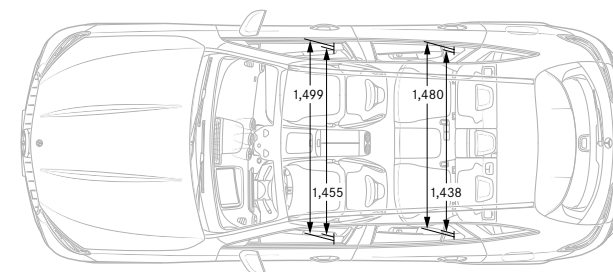
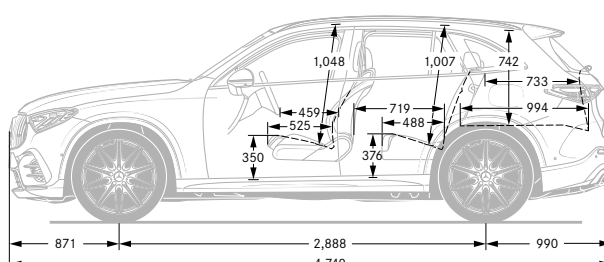
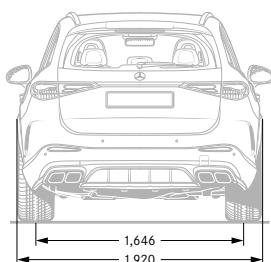
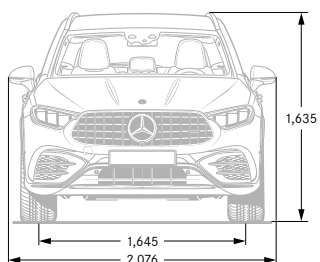


Find a Showroom

## Mercedes-AMG GLC 43 4MATIC SUV



## Mercedes-AMG GLC 63 S E PERFORMANCE 4MATIC+ SUV



All measurements in millimetres. The dimensions shown are mean values and apply to standard-specification, unladen vehicles

Design	Technology	Plug-in Hybrid	Model lines	Upholstery	Model prices	Mercedes-AMG	Mercedes-AMG upholstery	Mercedes-AMG prices	Personalisation	Standard equipment	Genuine accessories	Technical data	Additional information
--------	------------	----------------	-------------	------------	--------------	--------------	-------------------------	---------------------	-----------------	--------------------	---------------------	----------------	------------------------



Book a test drive

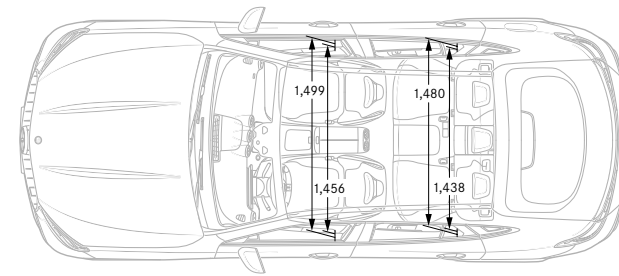
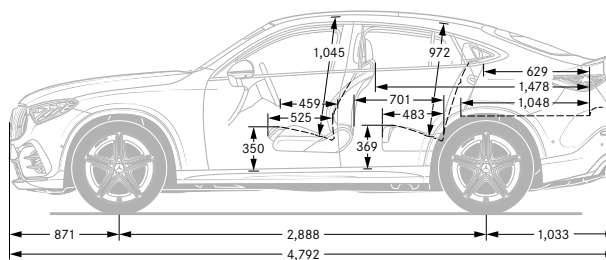
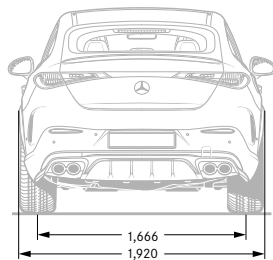
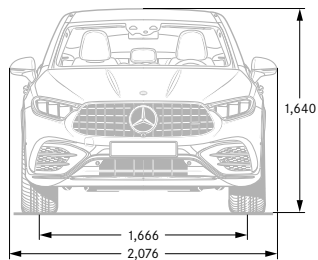


Find your GLC

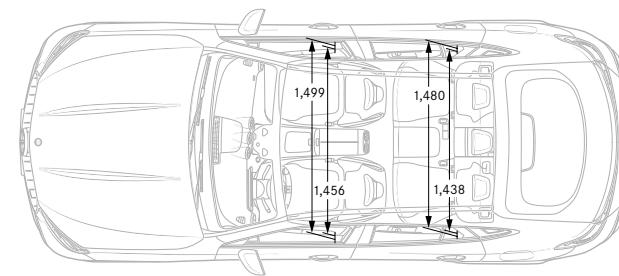
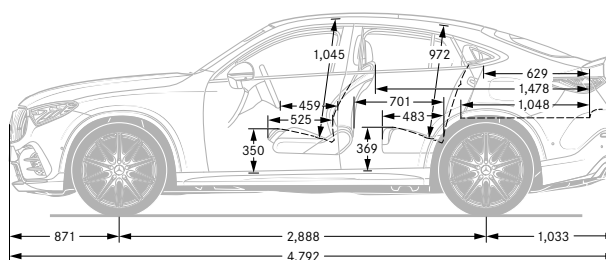
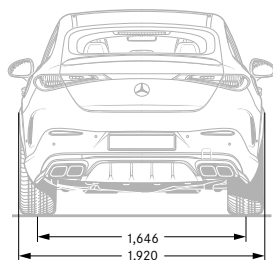
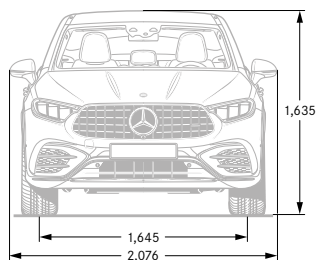


Find a Showroom

## Mercedes-AMG GLC 43 4MATIC Coupé



## Mercedes-AMG GLC 63 S E PERFORMANCE 4MATIC+ Coupé



All measurements in millimetres. The dimensions shown are mean values and apply to standard-specification, unladen vehicles

Design	Technology	Plug-in Hybrid	Model lines	Upholstery	Model prices	Mercedes-AMG	Mercedes-AMG upholstery	Mercedes-AMG prices	Personalisation	Standard equipment	Genuine accessories	Technical data	Additional information
--------	------------	----------------	-------------	------------	--------------	--------------	-------------------------	---------------------	-----------------	--------------------	---------------------	----------------	------------------------



# Road Fund Licence

All road vehicle registrations are subject to Vehicle Excise Duty (Road Fund Licence), which varies in accordance with the vehicle's CO<sub>2</sub> emissions. A first year rate for each taxation band will apply. The table below shows the bands (A-M) created by the DVLA and the corresponding Road Fund Licence. CO<sub>2</sub> emissions and the relevant Excise Duty are shown on the model pricing pages.

Band	CO <sub>2</sub> emissions (g/km)	First year rate petrol and RDE2 diesel (£)	First year rate alternative fuel (£)	Electric vehicles		Alternative fuel vehicles		Petrol/diesel vehicles	
				Standard rate (£)	Premium rate (£) <sup>1</sup>	Standard rate (£)	Premium rate (£) <sup>1</sup>	Standard rate (£)	Premium rate (£) <sup>1</sup>
A	0	0.00	0.00	0.00	0.00	0.00	0.00	0.00	0.00
B	1 to 50	10.00	0.00	0.00	0.00	180.00	590.00	190.00	600.00
C	51 to 75	30.00	20.00	0.00	0.00	180.00	590.00	190.00	600.00
D	76 to 90	135.00	125.00	0.00	0.00	180.00	590.00	190.00	600.00
E	91 to 100	175.00	165.00	0.00	0.00	180.00	590.00	190.00	600.00
F	101 to 110	195.00	185.00	0.00	0.00	180.00	590.00	190.00	600.00
G	111 to 130	220.00	210.00	0.00	0.00	180.00	590.00	190.00	600.00
H	131 to 150	270.00	260.00	0.00	0.00	180.00	590.00	190.00	600.00
I	151 to 170	680.00	670.00	0.00	0.00	180.00	590.00	190.00	600.00
J	171 to 190	1,095.00	1,085.00	0.00	0.00	180.00	590.00	190.00	600.00
K	191 to 225	1,650.00	1,640.00	0.00	0.00	180.00	590.00	190.00	600.00
L	226 to 255	2,340.00	2,330.00	0.00	0.00	180.00	590.00	190.00	600.00
M	over 255	2,745.00	2,735.00	0.00	0.00	180.00	590.00	190.00	600.00



Some of the model features, optional extras and colours shown may not be available, or may only be available in a different specification, or at a different price  
<sup>1</sup>Premium rate only applicable to vehicles where the list price is over £40,000 including any factory-fitted options, standard UK delivery charge and VAT



# Services and insurance

## Mercedes-Benz Service Plans

We believe that servicing and repair costs should be as flexible and affordable as possible for your GLC, which is why we offer a choice of Service Plans to make it easy to budget for all your servicing, MOT and repair costs. It spreads your bills into manageable monthly payments based on whether you have a new or used Mercedes-Benz.

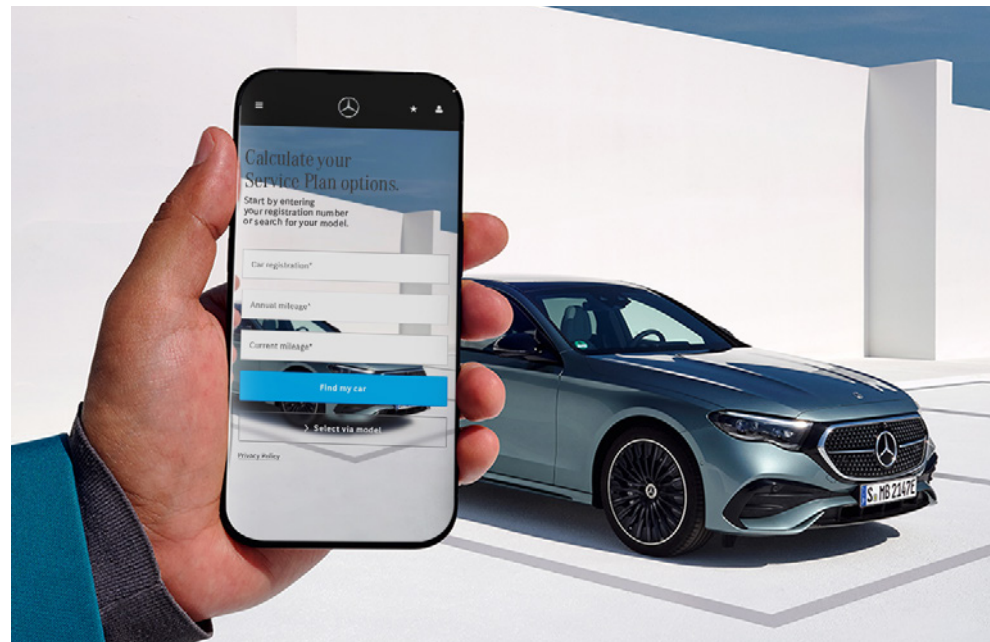
- **ServiceCare** – guarantees the price of parts and labour for up to four services and safeguards against any inflationary influences. It also covers your annual MOT fees depending on the age of your vehicle when you take your plan out.
- **CompleteCare** – our most comprehensive plan covering all your servicing, MOT, wear & tear needs as well as Extended Warranty once your vehicle turns four years old.
- **Extended Warranty** – protect yourself against sudden or unexpected repair costs after your initial warranty period has ended after three years. There are three policy options to choose from: 12-month, 24-month or a monthly pay-as-you-go option.

[Click here for more information](#)

## Motor Insurance

We know that once you have chosen your Mercedes-Benz you can't wait to drive it – that's why we created First Cover<sup>1</sup>. It gives you 7 days' free comprehensive Motor Insurance when you buy a new or used vehicle from a Mercedes-Benz Agent. We will also send you a quote for annual cover, so you can enjoy the same peace of mind all year round.

[Apply for First Cover](#)



## Warranty and breakdown cover

Every Mercedes-Benz comes with a three-year unlimited mileage warranty against manufacturing or material defects<sup>2</sup> and up to 30 years warranty against perforation due to corrosion from the inside out.<sup>3</sup> What's more, it's also covered by Mercedes-Benz Roadside Assistance – a unique package comprising up to 30 years pan-European breakdown assistance.<sup>3</sup>

<sup>1</sup>Terms and Conditions apply. We are an independent intermediary dealing with selected insurers in respect of annual insurance

<sup>2</sup>Applies to vehicles sold by Mercedes-Benz in the UK to its franchised Mercedes-Benz Agents

<sup>3</sup>Subject to full Terms and Conditions, dependent on date of registration, available upon request



Effective from December 2024 Production. Information correct at time of publication 08.10.2024.

Prices and specifications are subject to change without prior notice.

MBXC254PL/1024 MY805.5

