



The new G-Class

Effective from September 2024 Production.

Mercedes-Benz



[Book a test drive](#)[Find your G-Class](#)[Find a Showroom](#)

Some of the model features, optional extras and colours shown may not be available, or may only be available in a different specification.

Design	Technology	EQ Technology	Model line	Model prices	Mercedes-AMG	Mercedes-AMG prices	Personalisation	Standard equipment	Genuine accessories	Technical data	Additional information
--------	------------	---------------	------------	--------------	--------------	---------------------	-----------------	--------------------	---------------------	----------------	------------------------



Some of the model features, optional extras and colours shown may not be available, or may only be available in a different specification.

Design	Technology	EQ Technology	Model line	Model prices	Mercedes-AMG	Mercedes-AMG prices	Personalisation	Standard equipment	Genuine accessories	Technical data	Additional information
------------------------	----------------------------	-------------------------------	----------------------------	------------------------------	------------------------------	-------------------------------------	---------------------------------	------------------------------------	-------------------------------------	--------------------------------	--



Some of the model features, optional extras and colours shown may not be available, or may only be available in a different specification.

Design	Technology	EQ Technology	Model line	Model prices	Mercedes-AMG	Mercedes-AMG prices	Personalisation	Standard equipment	Genuine accessories	Technical data	Additional information
--------	------------	---------------	------------	--------------	--------------	---------------------	-----------------	--------------------	---------------------	----------------	------------------------



Book a test drive



Find your G-Class



Find a Showroom



Some of the model features, optional extras and colours shown may not be available, or may only be available in a different specification.

Design	Technology	EQ Technology	Model line	Model prices	Mercedes-AMG	Mercedes-AMG prices	Personalisation	Standard equipment	Genuine accessories	Technical data	Additional information
--------	------------	---------------	------------	--------------	--------------	---------------------	-----------------	--------------------	---------------------	----------------	------------------------



Book a test drive



Find your G-Class



Find a Showroom



Some of the model features, optional extras and colours shown may not be available, or may only be available in a different specification.

Design	Technology	EQ Technology	Model line	Model prices	Mercedes-AMG	Mercedes-AMG prices	Personalisation	Standard equipment	Genuine accessories	Technical data	Additional information
------------------------	----------------------------	-------------------------------	----------------------------	------------------------------	------------------------------	-------------------------------------	---------------------------------	------------------------------------	-------------------------------------	--------------------------------	--

[Book a test drive](#)[Find your G-Class](#)[Find a Showroom](#)

Some of the model features, optional extras and colours shown may not be available, or may only be available in a different specification.

Design	Technology	EQ Technology	Model line	Model prices	Mercedes-AMG	Mercedes-AMG prices	Personalisation	Standard equipment	Genuine accessories	Technical data	Additional information
--------	------------	---------------	------------	--------------	--------------	---------------------	-----------------	--------------------	---------------------	----------------	------------------------



Book a test drive



Find your G-Class



Find a Showroom



Some of the model features, optional extras and colours shown may not be available, or may only be available in a different specification.

Design	Technology	EQ Technology	Model line	Model prices	Mercedes-AMG	Mercedes-AMG prices	Personalisation	Standard equipment	Genuine accessories	Technical data	Additional information
--------	------------	---------------	------------	--------------	--------------	---------------------	-----------------	--------------------	---------------------	----------------	------------------------

[Book a test drive](#)[Find your G-Class](#)[Find a Showroom](#)

Some of the model features, optional extras and colours shown may not be available, or may only be available in a different specification.

Design	Technology	EQ Technology	Model line	Model prices	Mercedes-AMG	Mercedes-AMG prices	Personalisation	Standard equipment	Genuine accessories	Technical data	Additional information
------------------------	----------------------------	-------------------------------	----------------------------	------------------------------	------------------------------	-------------------------------------	---------------------------------	------------------------------------	-------------------------------------	--------------------------------	--



Book a test drive



Find your G-Class



Find a Showroom

G-Class

Technology


STRONGER THAN TIME

Design

Technology

EQ Technology

Model line

Model prices

Mercedes-AMG

Mercedes-AMG
prices

Personalisation

Standard
equipment

Genuine
accessories

Technical data

Additional
information



More is impossible

In off-road terrain the G-Class remains an unrivalled legend. It masters the key off-road disciplines effortlessly and with impressive results, e.g. gradeability, ground clearance, wading depth, angle of approach/departure and lateral slopes.

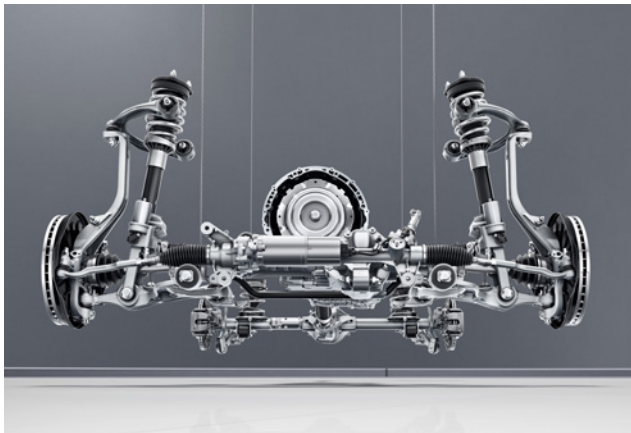
OFFROAD COCKPIT

Off the beaten track, the new OFFROAD COCKPIT provides an overview of the relevant data for off-road driving in both the driver and media displays, as well as functions to support off-road driving.



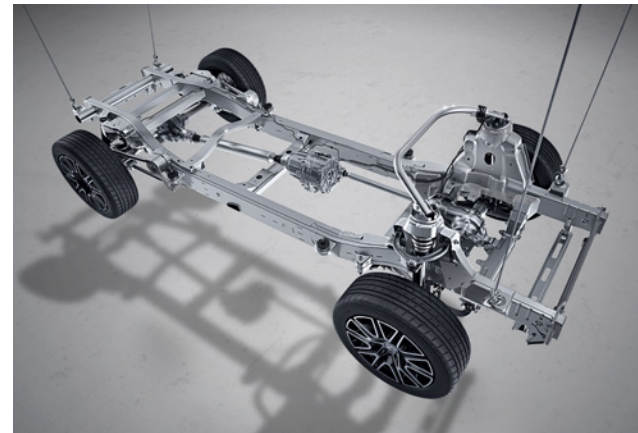
Rear axle

Extremely robust rigid axle with high degree of axial twist supports the chassis and the body. The rigid axle is connected to the ladder frame by means of two lower and two upper trailing arms as well as a panhard rod, which prevents sideways movements in the suspension in terms of between the vehicle body and rigid rear axle, and ensures the necessary traction even in the most difficult terrain and based on the road surface.



Front axle

It is executed as a double-wishbone axle with independent suspension and spring strut and ensures the necessary traction in even the most difficult off-road terrain. The new independent suspension enables more precise wheel location, thus in turn enabling better control of the G-Class.



Body

The ladder frame has formed the basis for the G-Class since the very beginning. The ladder frame consists of sheet steel of up to 3.4 mm in thickness with closed side members and cross members. This design is considerably more robust and better suited to off-road use than a self-supporting body.

Off-road performance

- Angle of approach/departure: 30.9°/29.9°
- Breakover angle: 25.7°
- Climbing ability: up to 100%
- Ground clearance: 24.1cm
- Maximum fording depth: 70 cm
- Side slope angle: up to 70%

Design	Technology	EQ Technology	Model line	Model prices	Mercedes-AMG	Mercedes-AMG prices	Personalisation	Standard equipment	Genuine accessories	Technical data	Additional information
--------	------------	---------------	------------	--------------	--------------	---------------------	-----------------	--------------------	---------------------	----------------	------------------------

Inside, luxury meets adventure

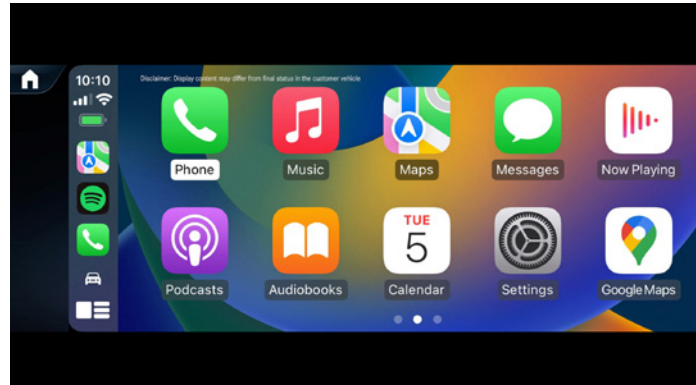
The G-Class combines timeless design with advanced technology, featuring the MBUX infotainment system for intuitive control and smartphone integration for seamless connectivity. Additionally, its THERMOTRONIC 3-zone automatic climate control ensures a personalised feel-good atmosphere on board.

MBUX (Mercedes-Benz User Experience)

The MBUX (Mercedes-Benz User Experience) infotainment system with 12.3-inch driver and media displays including touch control is in all model variants for the first time. Smartphone integration connects the mobile phone wirelessly to the MBUX multimedia system via Android Auto Wireless¹ or Apple CarPlay[®].

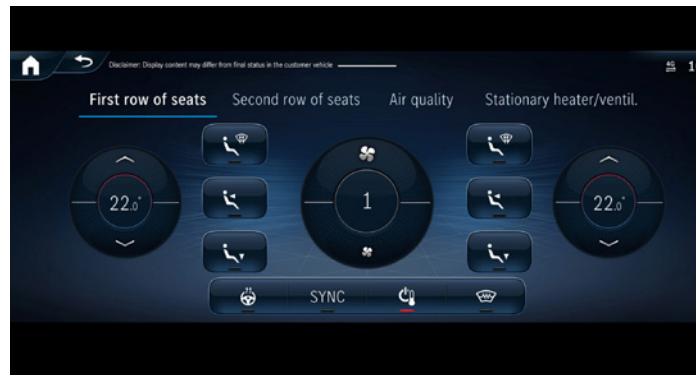


¹Compatible mobile phone required



Smartphone integration¹

Smartphone integration¹ merges the mobile phone with the infotainment system via Apple CarPlay[®] and Android Auto[™]. This gives you convenient access to the most important applications on your smartphone. You can also use apps from third-party service providers such as Spotify quickly and easily.



THERMOTRONIC automatic climate control

The THERMOTRONIC automatic climate control system with three climate zones and three climate styles provide an individual feel-good atmosphere on board. The driver and front passenger are able to set the temperature, air distribution and climate style to suit their personal needs. The third climate zone is in the rear – with separately adjustable temperature and airflow.

Design	Technology	EQ Technology	Model line	Model prices	Mercedes-AMG	Mercedes-AMG prices	Personalisation	Standard equipment	Genuine accessories	Technical data	Additional information
--------	------------	---------------	------------	--------------	--------------	---------------------	-----------------	--------------------	---------------------	----------------	------------------------

Cares for what matters Driving Assistance package¹

The Driving Assistance package¹ contains a range of highly intelligent features to help you stay safe on the road – by making the drive more effortless, by warning of danger, and by taking steps to protect you in an emergency. The Driving Assistance package is standard on all G-Class models.

Active Brake Assist with turn-off function with vehicle, pedestrian and bicycle detection incl. collision warning with autonomous emergency braking function

Active Distance Assist DISTRONIC helps maintain the desired distance from the vehicle in front

Active Emergency Stop Assist: immediate emergency braking if evasion is impossible

Active Lane Keeping Assist with visual and audible warning when a lane change is requested and a vehicle is detected in the blind spot

Active Speed Limit Assist ensures detected speed limits are automatically adopted as the set speed for Active Distance Assist DISTRONIC

Active Steering Assist: targeted steering intervention to prevent unintentional drifting out of lane with Active Emergency Stop Assist with SOS function and emergency lane function

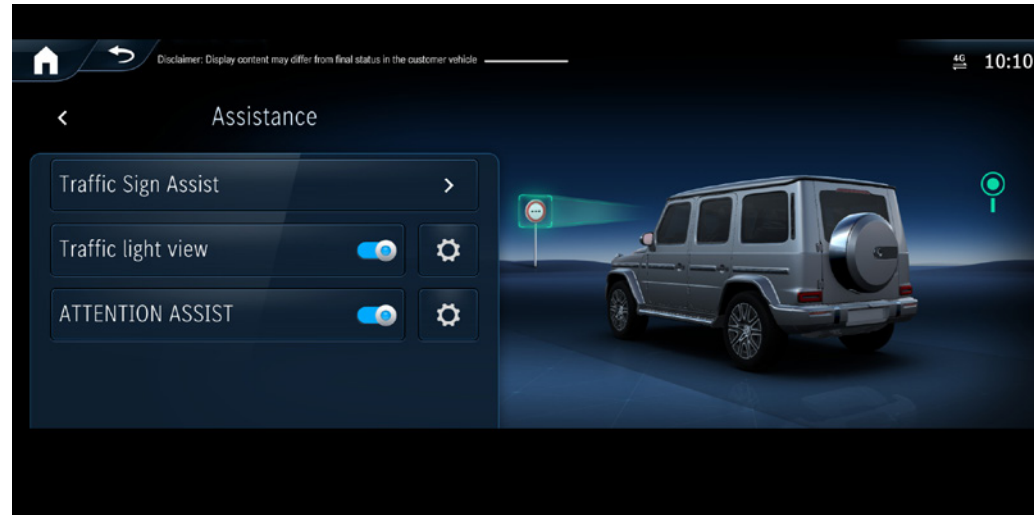
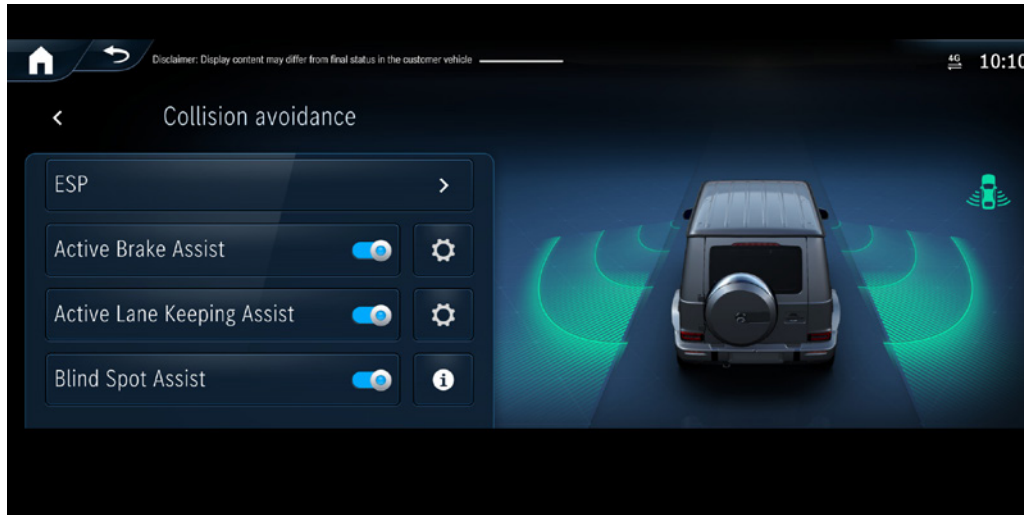
Blind Spot Assist can warn the driver of vehicles in the blind spot during a lane change

Extended restart on motorways

PRE-SAFE® Impulse side²

Route-based speed adjustment: adaption of speed before curves, roundabouts and junctions

Traffic Sign Assist recognises speed limits, overtaking bans and entry restrictions using camera and map data



¹Our driver assistance and safety systems are aids and do not relieve you of your responsibility as the driver. Please take note of the information in the Owner's Manual and the system limits which are described therein

²Only available when MANUFATUR package (code DPM) is selected (standard on Mercedes-AMG G 63 MANUFATUR Edition and Mercedes-AMG G 63 Magno Edition)

Design	Technology	EQ Technology	Model line	Model prices	Mercedes-AMG	Mercedes-AMG prices	Personalisation	Standard equipment	Genuine accessories	Technical data	Additional information
--------	------------	---------------	------------	--------------	--------------	---------------------	-----------------	--------------------	---------------------	----------------	------------------------

Digital Extras Stay connected any time, anywhere.

Digital Extras are a range of innovative online services designed to enhance your Mercedes-Benz experience. Accessible via mobile, tablet or PC, Digital Extras let you enjoy the highest standards of care and support, in a way that integrates seamlessly with your busy lifestyle.

Safety and Service – Digital Extras help to keep you and your car safe

Check your car's oil level, tyre pressure and fuel from your phone so you'll be ready for every journey.



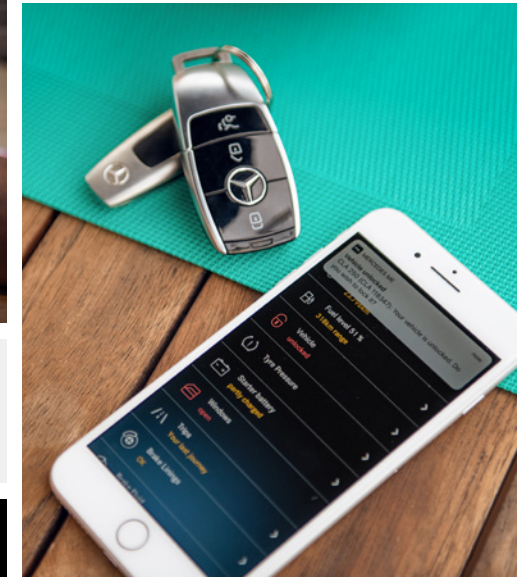
Live Traffic Information, Parked Vehicle Locator and much more

Forgot where you've parked? Parked Vehicle Locator¹ will show you exactly where your car is as long as you're in a 1-mile radius of where you parked. Real-time traffic data and dynamic route with shorter journey times.

For more information speak to your local Mercedes-Benz Agent or visit the Mercedes-Benz store at shop.mercedes-benz.com/en-gb/connect

Comfort – connect to your car anytime, anywhere

Forgot to lock your car? With Remote Car Lock² you will receive a notification on your smartphone to let you know. With one tap, you can lock and unlock your vehicle so you never have to worry.



The connection of the communication module to the mobile phone network including the emergency call system depends on the respective network coverage and availability of network providers

¹Available on all models with the Vehicle Monitoring package. This option may vary between standard and additional cost dependent on the model

²Part of the Vehicle Status package. This option may vary between standard and additional cost dependent on the model

Images shown are for illustration purposes only



Book a test drive



Find your G-Class



Find a Showroom

G-Class

EQ Technology



Design

Technology

EQ Technology

Model line

Model prices

Mercedes-AMG

Mercedes-AMG prices

Personalisation

Standard equipment

Genuine accessories

Technical data

Additional information



Book a test drive



Find your G-Class



Find a Showroom

The all-new electric G-Class The G 580 with EQ Technology.

Introducing the groundbreaking G 580 with EQ Technology Edition One, a marvel of electric innovation redefining the iconic G-Class experience. Harnessing cutting-edge EQ technology, it propels the legendary G-Wagon into a new era of sustainable performance and electrifying power.

G 580 with EQ Technology Edition One
Battery electric vehicle, 587hp/432kW
Electric range 283 miles – WLTP

OTR from £180,810¹



Standard equipment

Charging cable – Mode 3 cable (5 metres, straight) for wallbox and public charging stations

G STEERING²

G TURN²

Charging socket

Off-road crawling³

Charging system – rated at 11kW AC

Remote and Charging Services Plus⁴

Charging system – rated at 200kW DC

Suspension with selective passive damping system

ELECTRIC DYNAMIC SELECT with five transmission modes: 'Comfort', 'Sport', 'Individual', 'Trail', 'ROCK' and five recuperation levels 'Dauto', 'D+', 'D', 'D-', 'D - -'

Attention



Please be aware that external factors such as weather, gradient and ambient temperature amongst others can significantly impact range.



Please also note that internal factors such as driving style and climate control settings etc. can also significantly impact range.



Using the pre-entry climate control² when plugged into a charge point will ensure the perfect ambience and ensure that your car is just how you like it, as well as making sure that your battery isn't used unnecessarily to heat/cool the vehicle (maximising range).

Technical details

Equivalent All-Electric Range (EAER) ⁵	283 miles
Charging time	
DC charging station (200 kW) 10–80% ⁶	32 mins
Wallbox (11kW AC), 0–100% ⁷	11 hrs 46 mins
Electric energy consumption, combined ^{5,8}	289 Wh/km
Battery type (capacity)	Lithium-ion (116 kWh)
Capacity on-board charger	11kW AC, 200 kW DC

¹The recommended on-the-road price includes the Road Fund Licence applicable to the standard model plus delivery charge (£730.00 incl.VAT), new vehicle registration fee (£55.00) and number plates (£25.00 incl. VAT). VAT is calculated at the standard rate of 20%. Some of the model features, optional extras and colours shown may not be available, or may only be available in a different specification, or at a different price ²It is not permissible to use G-TURN and G-STEERING on any public roads and such use is in no way authorised, promoted or condoned. Use G-TURN and G-STEERING only on loose or soft surfaces, e.g. gravel or snow, with relevant land permission ³The intelligent off-road crawl function is an aid only. The driver is responsible at all times for maintaining a sufficient distance from the vehicle in front or from any obstacles ⁴The connection of the communication module to the mobile phone network including the emergency call system depends on the respective network coverage and availability of network providers ⁵Figures shown are for comparability purposes; only compare with other cars tested to the same technical procedures. Figures may not reflect real life driving results, which will depend upon a number of factors including the starting charge of the battery, factory-fitted options, accessories fitted (post registration), variations in weather, driving styles and vehicle load. Further information about the test used to establish range, power consumption and CO₂ figures can be found at <http://www.mercedes-benz.co.uk/WLTP> ⁶Specified voltage and current values refer to network infrastructure and can be limited by the vehicle. Times are from 10–80% charge using public rapid charging at 200 kW phase) ⁷Specified voltage and current values refer to network infrastructure and can be limited by the vehicle. Times are from 0–100% charge using a wallbox (three-phase) or standard socket (single-phase)

Design	Technology	EQ Technology	Model line	Model prices	Mercedes-AMG	Mercedes-AMG prices	Personalisation	Standard equipment	Genuine accessories	Technical data	Additional information
--------	------------	---------------	------------	--------------	--------------	---------------------	-----------------	--------------------	---------------------	----------------	------------------------

Mercedes me Charge¹ One registration, one contract, one billing.

Mercedes me Charge¹ provides access to a multitude of public charging stations located in shopping centres, hotels or at motorway services. A smartphone app as well as the vehicle's navigation system show the precise location, current availability and price at the selected charging station.

Tens of thousands charging stations in the UK

Growing network of charging providers includes bp pulse the largest charging network in the UK. Customers also get six months free bp pulse+ membership which reduces the electricity price when charging.



Access to fast-charging stations

Enables customers to get access to charging stations of different providers with:

- Mercedes-Benz app
- RFID card
- Vehicle Head unit

Green charging

All charging using Mercedes me Charge¹ will be retrospectively 'greened' by Mercedes-Benz. Please click [here](#) for more info.

Transparent and easy billing

One invoice charging processes for payment.

Easy access

Charging stations are displayed in Mercedes-Benz app and in MBUX multimedia system.

No fees

Mercedes me Charge¹ is standard for one year with discounted IONITY rapid-charging for one year.



¹The connection of the communication module to the mobile phone network including the emergency call system depends on the respective network coverage and availability of network providers you not wish to continue with the tariff, your cancellation rights and current pricing can be found <https://eu.charge.mercedes.me/web/en/daimler-gb/tariffs>

Price information is not guaranteed and is subject to change. Please be aware that this tariff will automatically renew after the 1 year promotion period - for definitive pricing information or should

Mercedes me Charge¹ Tariffs

For more transparency and predictability, enjoy numerous features tailored to your charging habits with the new Mercedes me Charge¹ fixed-priced tariffs S, M and L. Owners of the new G 580 with EQ Technology Edition One will be entitled to the Mercedes me Charge¹ tariff L free of charge for the duration of 12 months.

Tariff L

Recommended for 'frequent drivers'

Choose our tariff L to benefit from the best fixed prices for public charging, including discounted rapid-charging at IONITY charging stations as well as all Mercedes me Charge¹ features. This tariff is recommended for frequent and long-distance drivers.

Consisting of:

- All Mercedes me Charge¹ features
- Fixed prices per kWh (AC: £0.45/kWh, after 300 mins + £0.06/min; DC: £0.59/kWh)²
- IONITY rapid-charging stations discounted (£0.59/kWh)

Free of charge for the duration of 12 months.

Thereafter:

£10.90/month

Tariff M

Recommended for 'regular drivers'

Should you wish to downgrade your tariff package after 12 months but still want to benefit from fixed prices, discounted rapid-charging at IONITY charging stations and complete transparency, choose tariff M. This tariff is recommended for regular drivers.

Consisting of:

- All Mercedes me Charge¹ features
- Fixed prices per kWh (AC: £0.52/kWh, after 300 mins + £0.06/min; DC: £0.67/kWh)²
- IONITY rapid-charging stations discounted (£0.67/kWh)

£4.90/month

Tariff S

Recommended for 'casual drivers'

Should you wish to downgrade your tariff package after 12 months, there is the option to go for tariff S, which still offers you all the Mercedes me Charge¹ features based on flexible prices per kWh. This tariff is recommended for casual drivers.

Consisting of:

- All Mercedes me Charge¹ features
- Flexible prices per kWh

£0/month



¹The connection of the communication module to the mobile phone network including the emergency call system depends on the respective network coverage and availability of network providers

²Tariff rate excludes the BP Pulse charging network

Price information is not guaranteed and is subject to change. Please be aware that this tariff will automatically renew after the 1 year promotion period - for definitive pricing information or should you not wish to continue with the tariff, your cancellation rights and current pricing can be found <https://eu.charge.mercedes.me/web/en/daimler-gb/tariffs>

Next generation of home EV charging with Ohme

Mercedes-Benz plug-in vehicle customers with off-street parking can benefit from the convenience and speed of charging at home by installing an Ohme charger.

Home charging with Ohme: from £925* incl. VAT and standard installation

Key benefits of Ohme:

Ohme specialise in providing future-proof electric vehicle charging solutions, in particular smart, affordable and easy-to-use charging products.

Save money: If you have a time-of-use tariff or a variable tariff, you'll pay less for your electricity at certain times of the day. Ohme uses your tariff information to charge your vehicle when the price is low to maximise your savings.

Ohme is the only EV charging provider to integrate with all energy tariffs, including Intelligent Octopus and OVO Charge Anytime – the next generation, smart EV charging tariffs.

Easy installation process.

Choice of tethered or untethered units.

Award-winning customer service – check Trustpilot for more information.

A 3-year warranty is included.

Connect your charger to the Ohme smartphone app to unlock smarter and cheaper charging at home. Easy-to-use, the Ohme app will give you full control to get more from your EV.

Ohme's chargers are compliant with the UK New Smart Charger Regulations for complete peace of mind.

OZEV Grant:

You may be entitled to claim for an OZEV grant towards the cost of your home charger!
To find out whether you are entitled please contact your local Mercedes-Benz Agent.

Questions?

Please contact your local Mercedes-Benz Agent to submit an enquiry to your chosen charging partner on your behalf. To find your local Mercedes-Benz Agent, please click the button at the top right hand corner.

Warning!

If you are planning to charge your Mercedes-Benz plug-in electric vehicle using a 3-pin domestic plug socket you must get a qualified electrician to inspect and sign off the socket to confirm it is safe and suitable to charge your vehicle. Do not use an electric vehicle 3-pin charge cable with an extension cord.



*Price excludes £350 OZEV EVHS Grant. Price correct at time of publication, subject to change
 †The home charger £350 Grant (including VAT) is only available to customers who meet the criteria of the Office for Zero Emission Vehicles (OZEV). For full details and eligibility criteria for the OZEV EVHS Grant, see <https://www.gov.uk/government/publications/electric-vehicle-homecharge-scheme-guidance-for-customers-version-21>.

Home charging with Pod Point Simple, convenient, fast charging.



Mercedes-Benz plug-in vehicle customers with off-street parking can benefit from the convenience and speed of charging at home by installing a Pod Point home charger.

Home charging with Pod Point: from £925* incl. VAT and standard installation

For full terms and conditions please visit <https://pod-point.com/legal/home-charger-terms-of-sale>

Key benefits of Pod Point:

Pod Point is one of the leading provider of EV charging in the UK with over 200,000 home chargepoints installed.

A comprehensive 3 year 'swap out' warranty is included.

Auto Power Balancing lets you adjust your charge so that your electrical supply doesn't get overloaded when your home is using a lot of energy.

Built-in earthing protection removes the needs for expensive earth rods.

Choice of tethered or untethered units; £925 for a 7 kW universal, and £975 for 7 kW tethered.

The Pod Point public network consists of over 9,200 charging bays across the UK.

5 year warranty as standard, free of charge.

The standard installation package includes up to 15m of external cabling.

Utilise charge scheduling in conjunction with an off-peak EV tariff to reduce your charging costs by 70% compared with the current Energy Price Cap.¹

OZEV Grant:

You may be entitled to claim for an OZEV grant towards the cost of your home charger²

To find out whether you are entitled please contact your local Mercedes-Benz Agent.

Questions?

Please contact your local Mercedes-Benz Agent to submit an enquiry to your chosen charging partner on your behalf. To find your local Mercedes-Benz Agent, please click the button at the top right hand corner.

Warning!

If you are planning to charge your Mercedes-Benz plug-in electric vehicle using a 3-pin domestic plug socket you must get a qualified electrician to inspect and sign off the socket to confirm it is safe and suitable to charge your vehicle. Do not use an electric vehicle 3-pin charge cable with an extension cord.



*Price excludes £350 OZEV EVHS Grant. Price correct at time of publication, subject to change ¹Based on an off-peak tariff of 8 p/kWh compared with the energy price cap as of 1 October 2023 of 26.92 p/kWh ²The home charger £350 Grant (including VAT) is only available to customers who meet the criteria of the Office for Zero Emission Vehicles (OZEV). For full details and eligibility criteria for the OZEV EVHS Grant, see <https://www.gov.uk/government/publications/electric-vehicle-homecharge-scheme-guidance-for-customers-version-21>.



Book a test drive



Find your G-Class



Find a Showroom

G-Class Model lines overview



AMG Line Premium Plus »



Edition One »

Design	Technology	EQ Technology	Model line	Model prices	Mercedes-AMG	Mercedes-AMG prices	Personalisation	Standard equipment	Genuine accessories	Technical data	Additional information
--------	------------	---------------	------------	--------------	--------------	---------------------	-----------------	--------------------	---------------------	----------------	------------------------

[Book a test drive](#)[Find your G-Class](#)[Find a Showroom](#)

AMG Line Premium Plus



The ultimate fusion of luxury and performance

Introducing the AMG Line Premium Plus, boasting 20" AMG alloy wheels with a stylish 5-twin-spoke design, alongside 4MATIC Permanent four-wheel drive, ensuring exceptional control. Customise your driving experience with DYNAMIC SELECT's seven transmission modes. Enjoy enhanced visibility with precision-guided MULTIBEAM LED headlamps,

and effortless navigation through MBUX augmented reality on dual bonded 12.3-inch widescreen displays, accompanied by sumptuous nappa leather upholstery.

AMG Line Premium Plus

OTR from £136,690¹

¹The recommended on-the-road price includes the Road Fund Licence applicable to the standard model plus delivery charge (£730.00 incl. VAT), new vehicle registration fee (£55.00), fuel (£50.00 incl. VAT), and number plates (£25.00 incl. VAT). VAT is calculated at the standard rate of 20%. Some of the model features, optional extras and colours shown may not be available, or may only be available in a different specification, or at a different price

Design	Technology	EQ Technology	Model line	Model prices	Mercedes-AMG	Mercedes-AMG prices	Personalisation	Standard equipment	Genuine accessories	Technical data	Additional information
--------	------------	---------------	------------	--------------	--------------	---------------------	-----------------	--------------------	---------------------	----------------	------------------------

AMG Line Premium Plus Standard equipment highlights



Option shown: sodalite blue metallic (code 842)



Option shown: sodalite blue metallic (code 842)

Engine, Transmission and Suspension

4MATIC Permanent four-wheel drive

DYNAMIC SELECT with seven transmission modes: 'Comfort', 'ECO', 'Sport', 'Individual', 'Trail', 'ROCK' and 'Sand'

Suspension with selective passive damping system

Exterior

20" AMG alloy wheels – 5-twin-spoke design, painted high-gloss black with a high-sheen finish (code R16)

Brake calipers with 'Mercedes-Benz' lettering

Bumper insert in stainless steel

Electric sunroof – sliding with one-touch opening

Exterior protective strip with trim insert in brushed aluminium

Heated windscreen

Mirror housings in vehicle colour

MULTIBEAM LED headlamps with Adaptive Highbeam Assist Plus

Privacy glass – dark glass from B-pillar backwards

Running boards

Spare wheel cover in vehicle colour with spare wheel ring in stainless steel

Summer tyres

Trailer coupling with ESP® trailer stabilisation

Underguard in silver





Interior

Ambient lighting – 64 colours

DINAMICA microfibre roof liner in black

Dashboard in leather

Ionisation of interior air including fine-particle activated charcoal filter system

Memory package

Seats – electrically adjustable (front)

Seats – heated (front and rear)

Steering wheel – multifunction sports steering wheel in nappa leather, heated

Stowage Space package

THERMOTRONIC automatic climate control

Communications, Safety and Assistance Systems

Burmester® 3D surround sound system

DAB digital radio tuner

Dashcam

Driving Assistance package¹

GUARD 360° Vehicle protection Plus²

KEYLESS GO

MBUX augmented reality navigation

MBUX infotainment system

Parking package with 360° camera

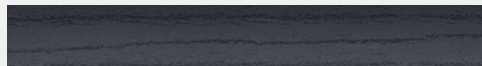
Sound personalisation

Widescreen cockpit with dual bonded 12.3-inch widescreen displays



Trim and Upholstery

Trim – MANUFAKTUR black flamed open-pore ash wood



Upholstery – Nappa leather in black



¹Our driver assistance and safety systems are aids and do not relieve you of your responsibility as the driver. Please take note of the information in the Owner's Manual and the system limits which are described therein of network providers

²The connection of the communication module to the mobile phone network including the emergency call system depends on the respective network coverage and availability



Book a test drive



Find your G-Class



Find a Showroom

Edition One



No-cost option shown: exclusive south seas blue magno (code 591)

Experience innovation and power – the new G-Class with EQ Technology

For 45 years, the G-Class has stood for outstanding off-road capability and innovative, reliable technology. Now the legend is breaking new ground and setting another historic milestone. With its all-electric drive, it combines tradition with modernity and proves that it is equipped for the future – and built to last.

The unmistakable appearance of the Edition One is characterised on the exterior by blue design elements and the luxurious SUPERIOR Line interior with its own exclusive upholstery in silver pearl/black with topstitching in blue and blue carbon-fibre trim.

Edition One

OTR from £180,810¹

¹The recommended on-the-road price includes the Road Fund Licence applicable to the standard model plus delivery charge (£730.00 incl. VAT), new vehicle registration fee (£55.00) and number plates (£25.00 incl. VAT). VAT is calculated at the standard rate of 20%. Some of the model features, optional extras and colours shown may not be available, or may only be available in a different specification, or at a different price

Design	Technology	EQ Technology	Model line	Model prices	Mercedes-AMG	Mercedes-AMG prices	Personalisation	Standard equipment	Genuine accessories	Technical data	Additional information
--------	------------	---------------	------------	--------------	--------------	---------------------	-----------------	--------------------	---------------------	----------------	------------------------

Edition One Standard equipment highlights



No-cost option shown: exclusive south seas blue magno (code 591)



No-cost option shown: exclusive south seas blue magno (code 591)

In addition to/replacement of AMG Line Premium Plus:

Engine, Transmission and Suspension

Charging cable for wallbox and public charging station, 5m, straight

Charging system – rated at 11 kW AC and 200 kW DC

ELECTRIC DYNAMIC SELECT with five transmission modes: 'Comfort', 'Sport', 'Individual', 'Trail', 'ROCK' and five recuperation levels 'Dauto', 'D+', 'D', 'D-', 'D - -'

G STEERING¹ – can significantly reduce the turning circle of the all-new electric G-Class when driving off-road or on loose surfaces

G TURN¹ – drivers can turn the all-new electric G-Class almost on the spot. The vehicle performs up to two complete vehicle turns in the desired direction on unpaved or loose surfaces

Off-road crawling² – provides drivers with additional support when driving off-road by maintaining a pre-set speed

Single-speed transmission with cruise control and variable speed limiter

Exterior

20" AMG alloy wheels – 10-spoke design, aerodynamically optimised, painted high-gloss black (code RN8)

Brake calipers painted blue

Bumper insert in obsidian black

Design box for charging cable

Exterior mirror housings in obsidian black

Exterior protective strip with trim insert in blue accent

MANUFAKTUR doorknob with embossed logo in black

MANUFAKTUR Logo package in black

MANUFAKTUR logo projector in exterior mirror

Night package

Radiator grille in obsidian black

Running boards in silver

Summer tyres

TIREFIT

¹It is not permissible to use G-TURN and G-STEERING on any public roads and such use is in no way authorised, promoted or condoned. Use G-TURN and G-STEERING only on loose or soft surfaces, e.g. gravel or snow, with relevant land permission in front of or from any obstacles

²The intelligent off-road crawl function is an aid only. The driver is responsible at all times for maintaining a sufficient distance from the vehicle in front or from any obstacles

Design	Technology	EQ Technology	Model line	Model prices	Mercedes-AMG	Mercedes-AMG prices	Personalisation	Standard equipment	Genuine accessories	Technical data	Additional information
--------	------------	---------------	------------	--------------	--------------	---------------------	-----------------	--------------------	---------------------	----------------	------------------------



Communications, Safety and Assistance Systems

G-ROAR – a unique sound experience inspired by the sound of a V8 engine

Remote and Charging Services Premium¹



Interior

ENERGIZING package Plus

MANFAKTUR grab handles in leather

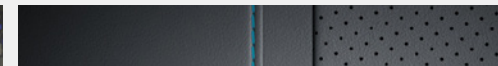
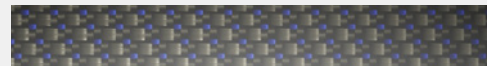
Dashboard in nappa leather

Seat belts, 3-point design in magma grey

Trim and Upholstery

Trim – blue carbon-fibre elements

Upholstery – Exclusive nappa leather in silver pearl/black



¹The connection of the communication module to the mobile phone network including the emergency call system depends on the respective network coverage and availability of network providers

Design	Technology	EQ Technology	Model line	Model prices	Mercedes-AMG	Mercedes-AMG prices	Personalisation	Standard equipment	Genuine accessories	Technical data	Additional information
--------	------------	---------------	------------	--------------	--------------	---------------------	-----------------	--------------------	---------------------	----------------	------------------------

[Book a test drive](#)[Find your G-Class](#)[Find a Showroom](#)

Model prices

Model line	Engine	Transmission	CO ₂ WLTP ^{1,*}	Basic RRP excl. VAT (£)	Total RRP incl. VAT (£)	Road Fund Licence (£) ² WLTP	Rec. OTR price (£) ³ WLTP	P11D value (£)	BiK tax rate 2024/25 (%) ²
AMG Line Premium Plus									
G 450 d	Diesel – 2,989cc, 6-cylinder, 367 hp/270 kW Mild hybrid drive – 20 hp/15 kW	9G-TRONIC automatic	235	111,250.00	133,500.00	2,330.00	136,690.00	134,305.00	37
G 500	Petrol – 2,999cc, 6-cylinder, 449 hp/330 kW Mild hybrid drive – 20 hp/15 kW	9G-TRONIC automatic	257	118,750.00	142,500.00	2,735.00	146,095.00	143,305.00	37
Edition One									
G 580 with EQ Technology	Battery electric vehicle, 587 hp/432 kW Electric range up to 283 miles – WLTP ¹	Single-speed automatic	0	150,000.00	180,000.00	0.00	180,810.00	180,755.00	2

¹The indicated values were determined according to the prescribed measurement method - Worldwide Harmonised Light Vehicle Test Procedure (WLTP). Figures shown may include options which are not available in the UK. ²Figures shown are for comparability purposes; only compare with other cars tested to the same technical procedures. Figures may not reflect real life driving results, which will depend upon a number of factors including factory-fitted options, accessories fitted (post registration), variations in weather, driving styles and vehicle load. Further information about the test used to establish fuel consumption and CO₂ figures can be found at <http://www.mercedes-benz.co.uk/WLTP> ³A different first year rate of Vehicle Excise Duty (Road Fund Licence) applies for new cars. Please refer to page 91 for the relevant rate for the second and subsequent years ⁴The recommended on-the-road price includes the Road Fund Licence applicable to the standard model plus delivery charge (£730.00 incl. VAT), new vehicle registration fee (£55.00), fuel (£50.00 incl. VAT) for combustion vehicles, and number plates (£25.00 incl. VAT). VAT is calculated at the standard rate of 20%. Some of the model features, optional extras and colours shown may not be available, or may only be available in a different specification, or at a different price



Book a test drive



Find your G-Class



Find a Showroom



AMG



G-Class

Mercedes-AMG

Design

Technology

EQ Technology

Model line

Model prices

Mercedes-AMG

Mercedes-AMG prices

Personalisation

Standard equipment

Genuine accessories

Technical data

Additional information



Book a test drive



Find your G-Class



Find a Showroom

Mercedes-AMG G-Class Model lines overview



Mercedes-AMG G 63 »



Mercedes-AMG G 63 Carbon Edition »



Mercedes-AMG G 63 MANUFAKTUR Edition »



Mercedes-AMG G 63 Magno Edition »



Design	Technology	EQ Technology	Model line	Model prices	Mercedes-AMG	Mercedes-AMG prices	Personalisation	Standard equipment	Genuine accessories	Technical data	Additional information
--------	------------	---------------	------------	--------------	--------------	---------------------	-----------------	--------------------	---------------------	----------------	------------------------

Mercedes-AMG G 63 Standard equipment highlights



Option shown: iridium silver metallic (code 775)

Engine, Transmission and Suspension

AMG ACTIVE RIDE CONTROL with active hydraulic roll stabilisation

AMG SPEEDSHIFT PLUS 9G-TRONIC

OTR from **£184,595¹**



Option shown: iridium silver metallic (code 775)

Exterior

22" AMG forged wheels – cross-spoke design, painted matt black with a high-sheen rim flange (code RG4)

AMG bodystyling with exclusive Mercedes-AMG G 63 front aprons with cooling air intakes and flared wheel arches in vehicle colour

AMG red brake callipers

AMG-specific radiator grille

Bumper insert in stainless steel

Exterior protective strip with trim insert in black

Electric sunroof – sliding, with one-touch opening

Heated windscreen

MULTIBEAM LED headlamps with Adaptive Highbeam Assist Plus

Privacy glass – dark glass from B-pillar backwards

Running boards

Spare wheel cover in vehicle colour with spare wheel ring in stainless steel

Summer tyres

Trailer coupling ESP® trailer stabilisation

Underguard in silver



¹The recommended on-the-road price includes the Road Fund Licence applicable to the standard model plus delivery charge (£730.00 incl. VAT), new vehicle registration fee (£55.00), fuel (£50.00 incl. VAT), and number plates (£25.00 incl. VAT). VAT is calculated at the standard rate of 20%. Some of the model features, optional extras and colours shown may not be available, or may only be available in a different specification, or at a different price

Design	Technology	EQ Technology	Model line	Model prices	Mercedes-AMG	Mercedes-AMG prices	Personalisation	Standard equipment	Genuine accessories	Technical data	Additional information
--------	------------	---------------	------------	--------------	--------------	---------------------	-----------------	--------------------	---------------------	----------------	------------------------



Communications, Safety and Assistance Systems

Widescreen cockpit with dual bonded 12.3-inch widescreen display

Burmester® 3D surround sound system

MBUX multimedia system

DAB digital radio tuner

Driving Assistance package¹

Parking package with 360° camera

Smartphone integration² including Apple CarPlay® and Android Auto™



Interior

Ambient lighting - choice of 64 colour settings

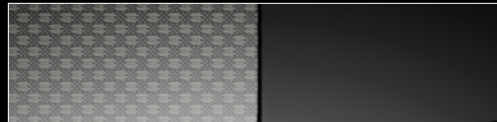
AMG floor mats with 'AMG' lettering

AMG Performance steering wheel in nappa leather, heated

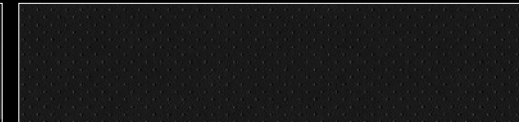
Illuminated AMG door sill panels with 'AMG' lettering at front and rear

Trim and Upholstery

Trim - metal structure trim element



Upholstery - AMG nappa leather in black



¹Our driver assistance and safety systems are aids and do not relieve you of your responsibility as the driver. Please take note of the information in the Owner's Manual and the system limits which are described therein

²Compatible mobile phone required

Design	Technology	EQ Technology	Model line	Model prices	Mercedes-AMG	Mercedes-AMG prices	Personalisation	Standard equipment	Genuine accessories	Technical data	Additional information
--------	------------	---------------	------------	--------------	--------------	---------------------	-----------------	--------------------	---------------------	----------------	------------------------

Mercedes-AMG G 63 Carbon Edition Standard equipment highlights



Option shown: MANUFAKTUR monza grey magno (code 054)



Option shown: MANUFAKTUR monza grey magno (code 054)

In addition to/replacement of Mercedes-AMG G 63:

Exterior

22" AMG forged wheels – cross-spoke design, painted matt black with a high-sheen rim flange (code RG4)

AMG Exterior Carbon-Fibre package

AMG mirror cover in carbon-fibre design

Bumper insert in carbon fibre

Front simulated underguard in carbon fibre

Spare wheel cover in carbon fibre with spare wheel ring painted in obsidian black

Summer tyres



OTR from £194,595¹

¹The recommended on-the-road price includes the Road Fund Licence applicable to the standard model plus delivery charge (£730.00 incl. VAT), new vehicle registration fee (£55.00), fuel (£50.00 incl. VAT), and number plates (£25.00 incl. VAT). VAT is calculated at the standard rate of 20%. Some of the model features, optional extras and colours shown may not be available, or may only be available in a different specification, or at a different price

Design	Technology	EQ Technology	Model line	Model prices	Mercedes-AMG	Mercedes-AMG prices	Personalisation	Standard equipment	Genuine accessories	Technical data	Additional information
--------	------------	---------------	------------	--------------	--------------	---------------------	-----------------	--------------------	---------------------	----------------	------------------------



Interior

AMG Performance steering wheel in carbon-fibre design/MICROCUT microfibre, heated

Trim and Upholstery

Trim – AMG carbon fibre



Upholstery – AMG nappa leather in black



Mercedes-AMG G 63 MANUFAKTUR Edition Standard equipment highlights



In addition to/replacement of Mercedes-AMG G 63 Carbon Edition:

Exterior

22" AMG forged wheels – cross-spoke design, painted matt black with a high-sheen rim flange (code RG4)

Bumper insert in stainless steel

Exterior mirror housings in vehicle colour

Exterior protective strip with trim insert in black

MANUFAKTUR Logo package

MANUFAKTUR logo projector in exterior mirror

MANUFAKTUR paint

MANUFAKTUR spare wheel cover and spare wheel ring painted in vehicle colour

Summer tyres



OTR from £201,095¹

¹The recommended on-the-road price includes the Road Fund Licence applicable to the standard model plus delivery charge (£730.00 incl. VAT), new vehicle registration fee (£55.00), fuel (£50.00 incl. VAT), and number plates (£25.00 incl. VAT). VAT is calculated at the standard rate of 20%. Some of the model features, optional extras and colours shown may not be available, or may only be available in a different specification, or at a different price

Design	Technology	EQ Technology	Model line	Model prices	Mercedes-AMG	Mercedes-AMG prices	Personalisation	Standard equipment	Genuine accessories	Technical data	Additional information
--------	------------	---------------	------------	--------------	--------------	---------------------	-----------------	--------------------	---------------------	----------------	------------------------



MANUFAKTUR grab handles in leather

Interior

AMG Performance steering wheel in nappa leather, heated

Dashboard in nappa leather

ENERGIZING package Plus

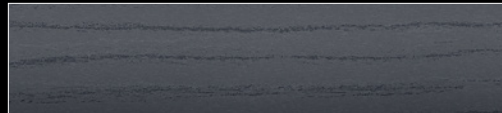
MANUFAKTUR grab handles in leather

MANUFAKTUR package

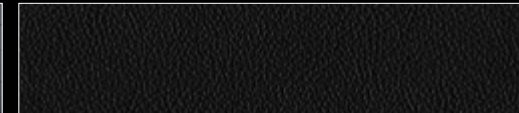
Seats – ventilated, multicontour seats (front)

Trim and Upholstery

Trim – MANUFAKTUR black flamed open-pore ash wood



Upholstery – AMG Exclusive nappa leather in black



Mercedes-AMG G 63 Magno Edition Standard equipment highlights



Option shown: hyacinth red exclusive magno (code 823)

OTR from **£203,595¹**



Option shown: hyacinth red exclusive magno (code 823)

In addition to/replacement of Mercedes-AMG G 63 MANUFAKTUR Edition:

Exterior

22" AMG forged wheels – cross-spoke design, painted matt black with a high-sheen rim flange (code RG4)

AMG Night package II – including typography and Mercedes star at front and rear in high-gloss black

AMG Night package

Bumper insert in night black magno

Exterior mirror housings in night black magno

Paint – magno

Spare wheel cover in vehicle colour with spare wheel ring in night black magno

Simulated underguard in night black magno

Summer tyres

Underguard in night black magno



¹The recommended on-the-road price includes the Road Fund Licence applicable to the standard model plus delivery charge (£730.00 incl. VAT), new vehicle registration fee (£55.00), fuel (£50.00 incl. VAT), and number plates (£25.00 incl. VAT). VAT is calculated at the standard rate of 20%. Some of the model features, optional extras and colours shown may not be available, or may only be available in a different specification, or at a different price

Design	Technology	EQ Technology	Model line	Model prices	Mercedes-AMG	Mercedes-AMG prices	Personalisation	Standard equipment	Genuine accessories	Technical data	Additional information
--------	------------	---------------	------------	--------------	--------------	---------------------	-----------------	--------------------	---------------------	----------------	------------------------



Interior

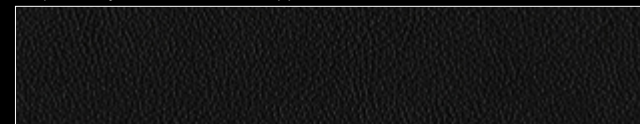
AMG Performance steering wheel in carbon-fibre design/MICROCUT microfibre, heated

Trim and Upholstery

Trim – AMG carbon fibre



Upholstery – AMG Exclusive nappa leather in black



[Book a test drive](#)[Find your G-Class](#)[Find a Showroom](#)

Become the AMG expert

Unleash a new level of performance.



Step into the world of performance and experience the AMG brand at Mercedes-Benz World – from the powerful sound of the engines to the smell of the leather to the unmistakable design of our vehicles.

Mercedes-Benz World invites all Mercedes-AMG customers to a complimentary adrenaline-packed driving experience. Feel the sensational AMG driving performance, develop your driving skills and even try your hand at power-sliding on the Wet Skid Circle. With expert one-to-one guidance from a Driving Specialist in the passenger seat, experience every inch of our Handling Circuits, Dynamic Straight and low friction surfaces.

[Click here for more information](#)



TERMS AND CONDITIONS
The following customers only are eligible: The first purchaser/registered keeper of a newly registered Mercedes-AMG. The complimentary training must be booked and taken within 12 months of email receipt. The training is available Monday - Friday only (excluding bank holidays) and subject to availability. Upgrades are available for an additional cost, details upon request. Transferable to individuals who reside at the same postal address only. Mercedes-Benz UK Limited reserves the right to amend or withdraw this training experience. Attendees must hold a full UK driving licence. Attendees will be required to sign the Mercedes-Benz World Driving Risk Acknowledgement prior to undertaking the training experience.

The training experience is also subject to the Mercedes-Benz World Terms and Conditions, as applicable. Retailer demonstrator vehicles are not eligible.

Design	Technology	EQ Technology	Model line	Model prices	Mercedes-AMG	Mercedes-AMG prices	Personalisation	Standard equipment	Genuine accessories	Technical data	Additional information
------------------------	----------------------------	-------------------------------	----------------------------	------------------------------	------------------------------	-------------------------------------	---------------------------------	------------------------------------	-------------------------------------	--------------------------------	--

[Book a test drive](#)[Find your G-Class](#)[Find a Showroom](#)

Mercedes-AMG prices

Model line	Engine	Transmission	CO ₂ WLTP ¹ *	Basic RRP excl. VAT (£)	Total RRP incl. VAT (£)	Road Fund Licence (£) ² WLTP	Rec. OTR price (£) ³ WLTP	P11D value (£)	BiK tax rate 2024/25 (%) ²
Mercedes-AMG									
Mercedes-AMG G 63 4MATIC	Petrol – 3,982cc, 8-cylinder, 585 hp/430 kW Mild hybrid drive – 20 hp/15 kW	AMG SPEEDSHIFT PLUS 9G-TRONIC	338	150,833.33	181,000.00	2,735	184,595.00	181,805.00	37
Mercedes-AMG Carbon Edition									
Mercedes-AMG G 63 4MATIC	Petrol – 3,982cc, 8-cylinder, 585 hp/430 kW Mild hybrid drive – 20 hp/15 kW	AMG SPEEDSHIFT PLUS 9G-TRONIC	338	159,166.67	191,000.00	2,735	194,595.00	191,805.00	37
Mercedes-AMG MANUFAKTUR Edition									
Mercedes-AMG G 63 4MATIC	Petrol – 3,982cc, 8-cylinder, 585 hp/430 kW Mild hybrid drive – 20 hp/15 kW	AMG SPEEDSHIFT PLUS 9G-TRONIC	338	164,583.33	197,500.00	2,735	201,095.00	198,305.00	37
Mercedes-AMG Magno Edition									
Mercedes-AMG G 63 4MATIC	Petrol – 3,982cc, 8-cylinder, 585 hp/430 kW Mild hybrid drive – 20 hp/15 kW	AMG SPEEDSHIFT PLUS 9G-TRONIC	338	166,666.67	200,000.00	2,735	203,595.00	200,805.00	37

¹The indicated values were determined according to the prescribed measurement method - Worldwide Harmonised Light Vehicle Test Procedure (WLTP). Figures shown may include options which are not available in the UK. ²Figures shown are for comparability purposes; only compare with other cars tested to the same technical procedures. Figures may not reflect real life driving results, which will depend upon a number of factors including factory-fitted options, accessories fitted (post registration), variations in weather, driving styles and vehicle load. Further information about the test used to establish fuel consumption and CO₂ figures can be found at <http://www.mercedes-benz.co.uk/WLTP> ³A different first year rate of Vehicle Excise Duty (Road Fund Licence) applies for new cars. Please refer to page 91 for the relevant rate for the second and subsequent years ⁴The recommended on-the-road price includes the Road Fund Licence applicable to the standard model plus delivery charge (£730.00 incl. VAT), new vehicle registration fee (£55.00), fuel (£50.00 incl. VAT), and number plates (£25.00 incl. VAT). VAT is calculated at the standard rate of 20%. Some of the model features, optional extras and colours shown may not be available, or may only be available in a different specification, or at a different price

Design	Technology	EQ Technology	Model line	Model prices	Mercedes-AMG	Mercedes-AMG prices	Personalisation	Standard equipment	Genuine accessories	Technical data	Additional information
--------	------------	---------------	------------	--------------	--------------	---------------------	-----------------	--------------------	---------------------	----------------	------------------------



Book a test drive



Find your G-Class



Find a Showroom

Personalisation Overview

Trims »



Upholstery »



Packages »



Wheels »



Paints »



Design

Technology

EQ Technology

Model line

Model prices

Mercedes-AMG

Mercedes-AMG prices

Personalisation

Standard equipment

Genuine accessories

Technical data

Additional information

[Book a test drive](#)[Find your G-Class](#)[Find a Showroom](#)

Trim

● Standard □ No-cost option — Not available

**VA1 MANUFAKTUR black flamed open-pore ash wood**

AMG Line Premium Plus	●
Edition One	—
Mercedes-AMG G63	□
Mercedes-AMG G63 Carbon Edition	—
Mercedes-AMG G63 MANUFAKTUR Edition	●
Mercedes-AMG G63 Magno Edition	—

**VA2 open-pore natural walnut wood**

AMG Line Premium Plus	□
Edition One	—
Mercedes-AMG G63	□
Mercedes-AMG G63 Carbon Edition	—
Mercedes-AMG G63 MANUFAKTUR Edition	—
Mercedes-AMG G63 Magno Edition	—

**VA9 blue carbon-fibre trim elements**

AMG Line Premium Plus	—
Edition One	●
Mercedes-AMG G63	—
Mercedes-AMG G63 Carbon Edition	—
Mercedes-AMG G63 MANUFAKTUR Edition	—
Mercedes-AMG G63 Magno Edition	—

Trim

● Standard □ No-cost option — Not available



VA5 Metal structure trim element

AMG Line Premium Plus	—
Edition One	—
Mercedes-AMG G 63	●
Mercedes-AMG G 63 Carbon Edition	—
Mercedes-AMG G 63 MANUFAKTUR Edition	—
Mercedes-AMG G 63 Magno Edition	—



ZG6 AMG carbon fibre

AMG Line Premium Plus	—
Edition One	—
Mercedes-AMG G 63	—
Mercedes-AMG G 63 Carbon Edition	●
Mercedes-AMG G 63 MANUFAKTUR Edition	—
Mercedes-AMG G 63 Magno Edition	●

Upholstery AMG Line Premium Plus (not available on Edition One)

Nappa leather¹ – no-cost option



501A*+P76 black



545A+P76 truffle brown/black



575A+P76 macchiato beige/black

*Standard. Available with MANUFAKTUR seat belts in red

¹100% of seat upholstery is pure leather

Design	Technology	EQ Technology	Model line	Model prices	Mercedes-AMG	Mercedes-AMG prices	Personalisation	Standard equipment	Genuine accessories	Technical data	Additional information
--------	------------	---------------	------------	--------------	--------------	---------------------	-----------------	--------------------	---------------------	----------------	------------------------



Book a test drive



Find your G-Class



Find a Showroom

Upholstery AMG Line Premium Plus (not available on Edition One)

MANUFAKTUR nappa leather¹ – no-cost option



923A+P76 platinum white/black



924A+P76 espresso brown/black



925A+P76 catalana beige/black



927A+P76 bengal red/black



928A+P76 titanium grey pearl/black



934A+P76 saddle brown/black



937A+P76 red pepper/black



938A+P76 sage grey/black

¹100% of seat upholstery is pure leather

Design	Technology	EQ Technology	Model line	Model prices	Mercedes-AMG	Mercedes-AMG prices	Personalisation	Standard equipment	Genuine accessories	Technical data	Additional information
--------	------------	---------------	------------	--------------	--------------	---------------------	-----------------	--------------------	---------------------	----------------	------------------------



Book a test drive



Find your G-Class



Find a Showroom

Upholstery AMG Line Premium Plus (not available on Edition One)

MANUFAKTUR nappa leather¹ two-tone – no-cost option



953A+P76 two-tone platinum white/black



954A+P76 two-tone espresso brown/black



955A+P76 two-tone catalana beige/black



957A+P76 two-tone bengal red/black



958A+P76 two-tone titanium grey/black



964A+P76 two-tone saddle brown/black



967A+P76 two-tone red pepper/black



968A+P76 two-tone sage grey/black

¹100% of seat upholstery is pure leather

Design	Technology	EQ Technology	Model line	Model prices	Mercedes-AMG	Mercedes-AMG prices	Personalisation	Standard equipment	Genuine accessories	Technical data	Additional information
--------	------------	---------------	------------	--------------	--------------	---------------------	-----------------	--------------------	---------------------	----------------	------------------------



Book a test drive



Find your G-Class



Find a Showroom

Upholstery AMG Line Premium Plus (not available on Edition One)

MANUFAKTUR nappa leather¹ with contrast topstitching - no-cost option



902A+P76 black with blue topstitching



903A+P76 black with white topstitching



904A+P76 black with bronze topstitching



906A+P76 black with lime green topstitching



907A+P76 black with red topstitching



909A+P76 black with gold topstitching

¹100% of seat upholstery is pure leather

Design	Technology	EQ Technology	Model line	Model prices	Mercedes-AMG	Mercedes-AMG prices	Personalisation	Standard equipment	Genuine accessories	Technical data	Additional information
--------	------------	---------------	------------	--------------	--------------	---------------------	-----------------	--------------------	---------------------	----------------	------------------------



Book a test drive



Find your G-Class



Find a Showroom

Upholstery Mercedes-AMG

AMG nappa leather¹ – no-cost option



501A+P76* black



545A+P76* truffle brown/black



575A+P76* macchiato beige/black

*Not available on Mercedes-AMG G63 MANUFATUR Edition or Mercedes-AMG G63 Magno Edition. Available with MANUFATUR seat belts in red ¹100% of upholstery is pure leather

Design	Technology	EQ Technology	Model line	Model prices	Mercedes-AMG	Mercedes-AMG prices	Personalisation	Standard equipment	Genuine accessories	Technical data	Additional information
--------	------------	---------------	------------	--------------	--------------	---------------------	-----------------	--------------------	---------------------	----------------	------------------------



Book a test drive



Find your G-Class



Find a Showroom

Upholstery Mercedes-AMG

AMG MANUFAKTUR nappa leather¹ – no-cost option



923A+P76* platinum white/black



924A+P76* espresso brown/black



925A+P76* catalana beige/black



927A+P76* bengal red/black



928A+P76* titanium grey pearl/black



934A+P76* saddle brown/black



937A+P76* red pepper/black



938A+P76* sage grey/black

*Not available on Mercedes-AMG G 63 MANUFAKTUR Edition or Mercedes-AMG G 63 Magno Edition ¹100% of upholstery is pure leather

Design	Technology	EQ Technology	Model line	Model prices	Mercedes-AMG	Mercedes-AMG prices	Personalisation	Standard equipment	Genuine accessories	Technical data	Additional information
--------	------------	---------------	------------	--------------	--------------	---------------------	-----------------	--------------------	---------------------	----------------	------------------------



Book a test drive



Find your G-Class



Find a Showroom

Upholstery Mercedes-AMG

AMG MANUFAKTUR nappa leather¹ with accent band



913A+P76* two-tone black with accent band in platinum white



914A+P76* two-tone black with accent band in saddle brown



915A+P76* two-tone black with accent band in catalana beige



916A+P76* two-tone black with accent band in lime green



917A+P76* two-tone black with accent band in bengal red



918A+P76* two-tone black with accent band in sage grey



944A+P76* two-tone black with accent band in espresso brown



947A+P76* two-tone black with accent band in red pepper



948A+P76* two-tone black with accent band in titanium grey

*Not available on Mercedes-AMG G 63 MANUFAKTUR Edition or Mercedes-AMG G 63 Magno Edition ¹100% of upholstery is pure leather

Design	Technology	EQ Technology	Model line	Model prices	Mercedes-AMG	Mercedes-AMG prices	Personalisation	Standard equipment	Genuine accessories	Technical data	Additional information
--------	------------	---------------	------------	--------------	--------------	---------------------	-----------------	--------------------	---------------------	----------------	------------------------



Book a test drive



Find your G-Class



Find a Showroom

Upholstery Mercedes-AMG

AMG MANUFAKTUR nappa leather¹ two-tone – no-cost option



953A+P76* two-tone platinum white/black



954A+P76* two-tone espresso brown/black



955A+P76* two-tone catalana beige/black



957A+P76* two-tone bengal red/black



958A+P76* two-tone titanium grey/black



964A+P76* two-tone saddle brown/black



967A+P76* two-tone red pepper/black



968A+P76* two-tone sage grey/black

*Not available on Mercedes-AMG G 63 MANUFAKTUR Edition or Mercedes-AMG G 63 Magno Edition ¹100% of upholstery is pure leather

Design	Technology	EQ Technology	Model line	Model prices	Mercedes-AMG	Mercedes-AMG prices	Personalisation	Standard equipment	Genuine accessories	Technical data	Additional information
--------	------------	---------------	------------	--------------	--------------	---------------------	-----------------	--------------------	---------------------	----------------	------------------------



Book a test drive



Find your G-Class



Find a Showroom

Upholstery Mercedes-AMG

AMG MANUFAKTUR nappa leather¹ with contrast topstitching - no-cost option



902A+P76* black with blue topstitching



903A+P76* black with white topstitching



904A+P76* black with bronze topstitching



906A+P76* black with lime green topstitching



907A+P76* black with red topstitching



909A+P76* black with gold topstitching

*Not available on Mercedes-AMG G 63 MANUFAKTUR Edition or Mercedes-AMG G 63 Magno Edition, no-cost option for all other Mercedes-AMG G 63 models

¹100% of seat upholstery is pure leather

Design	Technology	EQ Technology	Model line	Model prices	Mercedes-AMG	Mercedes-AMG prices	Personalisation	Standard equipment	Genuine accessories	Technical data	Additional information
--------	------------	---------------	------------	--------------	--------------	---------------------	-----------------	--------------------	---------------------	----------------	------------------------



MANUFAKTUR package

● Standard ○ Optional

Indulge in the luxury of choice with the MANUFAKTUR package, which offers an array of upholstery combinations to elevate the iconic G-Class to new heights of personalisation. Experience upgraded upholstery, the invigorating ENERGIZING package Plus, and the comfort of multicontour seats – all tailored to enhance your driving experience. Designed and priced as a package, including items listed below.

Consisting of:

Active Multicontour Seat package Plus

ENERGIZING package Plus

Extended scope of upholstery in nappa leather: armrest and rear facing of the centre console, door centre panels and trim, armrests in the doors, pull handles on the doors and kneepads on the side of the centre console

Instrument panel in nappa leather

Seat upholstery layout in a diamond design¹

Model line	MANUFAKTUR package (code DPM)
AMG Line Premium Plus	<input type="radio"/>
Edition One	<input checked="" type="radio"/>
Mercedes-AMG G 63	<input type="radio"/>
Mercedes-AMG G 63 Carbon Edt.	<input type="radio"/>
Mercedes-AMG G 63 MANUFAKTUR Edt.	<input checked="" type="radio"/>
Mercedes-AMG G 63 Magno Edt.	<input checked="" type="radio"/>
Total incl. VAT	£7,995.00



913A+DPM two-tone black with accent band in platinum white

¹Not available on G 580 with EQ Technology Edition One Please see pages 54-58 for available upholstery options for AMG Line Premium Plus and pages 60-64 for available upholstery options for Mercedes-AMG G-Class variants

MANUFAKTUR package (cont.) Upholstery for AMG Line Premium Plus (not available on Edition One)

Nappa leather¹



801A+DPM black



808A+DPM macchiato beige/magma grey



825A+DPM truffle brown/black

¹100% of seat upholstery is pure leather



Book a test drive



Find your G-Class



Find a Showroom

MANUFAKTUR package (cont.) Upholstery for AMG Line Premium Plus (not available on Edition One)

MANUFAKTUR nappa leather¹



923A+DPM platinum white/black



924A+DPM espresso brown/black



925A+DPM catalana beige/black



927A+DPM bengal red/black



928A+DPM titanium grey pearl/black



934A+DPM saddle brown/black



937A+DPM red pepper/black



938A+DPM sage grey/black

¹100% of seat upholstery is pure leather

Design	Technology	EQ Technology	Model line	Model prices	Mercedes-AMG	Mercedes-AMG prices	Personalisation	Standard equipment	Genuine accessories	Technical data	Additional information
--------	------------	---------------	------------	--------------	--------------	---------------------	-----------------	--------------------	---------------------	----------------	------------------------



Book a test drive



Find your G-Class



Find a Showroom

MANUFAKTUR package (cont.) Upholstery for AMG Line Premium Plus (not available on Edition One)

MANUFAKTUR nappa leather two-tone¹



953A+DPM two-tone platinum white/black



954A+DPM two-tone espresso brown/black



955A+DPM two-tone catalana beige/black



957A+DPM two-tone bengal red/black



958A+DPM two-tone titanium grey/black



964A+DPM two-tone saddle brown/black



967A+DPM two-tone red pepper/black



968A+DPM two-tone sage grey/black

¹100% of seat upholstery is pure leather

Design	Technology	EQ Technology	Model line	Model prices	Mercedes-AMG	Mercedes-AMG prices	Personalisation	Standard equipment	Genuine accessories	Technical data	Additional information
--------	------------	---------------	------------	--------------	--------------	---------------------	-----------------	--------------------	---------------------	----------------	------------------------

MANUFAKTUR package (cont.) Upholstery for AMG Line Premium Plus (not available on Edition One)

MANUFAKTUR nappa leather¹ with accent band



913A+DPM two-tone black with accent band in platinum white



914A+DPM two-tone black with accent band in saddle brown



915A+DPM two-tone black with accent band in catalana beige



916A+DPM two-tone black with accent band in lime green



917A+DPM two-tone black with accent band in bengal red



918A+DPM two-tone black with accent band in sage grey



944A+DPM two-tone black with accent band in espresso brown



947A+DPM two-tone black with accent band in red pepper



948A+DPM two-tone black with accent band in titanium grey

¹100% of seat upholstery is pure leather

Design	Technology	EQ Technology	Model line	Model prices	Mercedes-AMG	Mercedes-AMG prices	Personalisation	Standard equipment	Genuine accessories	Technical data	Additional information
--------	------------	---------------	------------	--------------	--------------	---------------------	-----------------	--------------------	---------------------	----------------	------------------------



Book a test drive



Find your G-Class



Find a Showroom

MANUFAKTUR package (cont.) Upholstery for AMG Line Premium Plus (not available on Edition One)

MANUFAKTUR nappa leather¹ with contrast topstitching



902A+DPM black with blue topstitching



903A+DPM black with white topstitching



904A+DPM black with bronze topstitching



906A+DPM black with lime green topstitching



907A+DPM black with red topstitching



909A+DPM black with gold topstitching

¹100% of seat upholstery is pure leather

Design	Technology	EQ Technology	Model line	Model prices	Mercedes-AMG	Mercedes-AMG prices	Personalisation	Standard equipment	Genuine accessories	Technical data	Additional information
--------	------------	---------------	------------	--------------	--------------	---------------------	-----------------	--------------------	---------------------	----------------	------------------------

MANUFAKTUR package (cont.) Upholstery for Edition One

Exclusive nappa leather¹



868A+DPM silver pearl/black

¹100% of seat upholstery is pure leather



Book a test drive



Find your G-Class



Find a Showroom

MANUFAKTUR package (cont.) Upholstery for Mercedes-AMG

AMG nappa leather¹



801A+DPM black²



808+DPM macchiato beige/magma grey^{2,3}



825A+DPM truffle brown/black²

¹100% of upholstery is pure leather

²Not available on Mercedes-AMG G 63 MANUFAKTUR Edition

³Not available on Mercedes-AMG G 63 Carbon Edition and Mercedes-AMG G 63 Magno Edition

Design	Technology	EQ Technology	Model line	Model prices	Mercedes-AMG	Mercedes-AMG prices	Personalisation	Standard equipment	Genuine accessories	Technical data	Additional information
--------	------------	---------------	------------	--------------	--------------	---------------------	-----------------	--------------------	---------------------	----------------	------------------------



Book a test drive



Find your G-Class



Find a Showroom

MANUFAKTUR package (cont.) Upholstery for Mercedes-AMG

AMG MANUFAKTUR nappa leather¹



923A+DPM platinum white/black



924A+DPM espresso brown/black



925A+DPM catalana beige/black



927A+DPM bengal red/black



928A+DPM titanium grey pearl/black



934A+DPM saddle brown/black



937A+DPM red pepper/black



938A+DPM sage grey/black

¹100% of upholstery is pure leather

Design	Technology	EQ Technology	Model line	Model prices	Mercedes-AMG	Mercedes-AMG prices	Personalisation	Standard equipment	Genuine accessories	Technical data	Additional information
--------	------------	---------------	------------	--------------	--------------	---------------------	-----------------	--------------------	---------------------	----------------	------------------------



Book a test drive



Find your G-Class



Find a Showroom

MANUFAKTUR package (cont.) Upholstery for Mercedes-AMG

AMG MANUFAKTUR nappa leather two-tone¹



953A+DPM two-tone platinum white/black



954A+DPM two-tone espresso brown/black



955A+DPM two-tone catalana beige/black



957A+DPM two-tone bengal red/black



958A+DPM two-tone titanium grey/black



964A+DPM two-tone saddle brown/black



967A+DPM two-tone red pepper/black



968A+DPM two-tone sage grey/black

¹100% of upholstery is pure leather

Design	Technology	EQ Technology	Model line	Model prices	Mercedes-AMG	Mercedes-AMG prices	Personalisation	Standard equipment	Genuine accessories	Technical data	Additional information
--------	------------	---------------	------------	--------------	--------------	---------------------	-----------------	--------------------	---------------------	----------------	------------------------



Book a test drive



Find your G-Class



Find a Showroom

MANUFAKTUR package (cont.) Upholstery for Mercedes-AMG

AMG MANUFAKTUR nappa leather¹ with accent band



913A+DPM two-tone black with accent band in platinum white



914A+DPM two-tone black with accent band in saddle brown



915A+DPM two-tone black with accent band in catalana beige



916A+DPM two-tone black with accent band in lime green



917A+DPM two-tone black with accent band in bengal red



918A+DPM two-tone black with accent band in sage grey



944A+DPM two-tone black with accent band in espresso brown



947A+DPM two-tone black with accent band in red pepper



948A+DPM two-tone black with accent band in titanium grey

¹100% of seat upholstery is pure leather

Design	Technology	EQ Technology	Model line	Model prices	Mercedes-AMG	Mercedes-AMG prices	Personalisation	Standard equipment	Genuine accessories	Technical data	Additional information
--------	------------	---------------	------------	--------------	--------------	---------------------	-----------------	--------------------	---------------------	----------------	------------------------

MANUFAKTUR package (cont.) Upholstery for Mercedes-AMG

AMG MANUFAKTUR nappa leather¹ with contrast topstitching



902A+DPM* black with blue topstitching



903A+DPM* black with white topstitching



904A+DPM* black with bronze topstitching



906A+DPM* black with lime green topstitching



907A+DPM* black with red topstitching



909A+DPM* black with gold topstitching

*Not available on Mercedes-AMG G 63 MANUFAKTUR Edition or Mercedes-AMG G 63 Magno Edition, no-cost option for all other Mercedes-AMG G 63 models

¹100% of seat upholstery is pure leather

Design	Technology	EQ Technology	Model line	Model prices	Mercedes-AMG	Mercedes-AMG prices	Personalisation	Standard equipment	Genuine accessories	Technical data	Additional information
------------------------	----------------------------	-------------------------------	----------------------------	------------------------------	------------------------------	-------------------------------------	---------------------------------	------------------------------------	-------------------------------------	--------------------------------	--



Rear Seat Entertainment package

Films, internet, video games or music: the Rear Seat Entertainment System package, with a variety of interfaces for external media, ensures nobody gets bored. The two 10-inch touchscreens installed on the backrest boast brilliant picture quality.

Rear Seat Entertainment package (code DRS) – designed and priced as a package, including items listed below.

Available on all models, except Edition One
Total incl. VAT £3,495.00

Consisting of:

Internet access via browser and email client possible

Integral media player for playback of a variety of media

Two touchscreen displays with 10-inch screen diagonal for brilliant picture quality

USB 2.0, AUX and HDMI interfaces for the integration of smartphone content, laptop content or games consoles (SD memory cards via adapter)

Please note headphones are not included in this package. Any Bluetooth® headphone will, however, work with this system.



Design	Technology	EQ Technology	Model line	Model prices	Mercedes-AMG	Mercedes-AMG prices	Personalisation	Standard equipment	Genuine accessories	Technical data	Additional information
--------	------------	---------------	------------	--------------	--------------	---------------------	-----------------	--------------------	---------------------	----------------	------------------------

Night package and AMG Night package

● Standard ○ Optional – Not available

Add the Night package or AMG Night package to your G-Class to create an even bolder look – a sleek upgrade featuring darkened indicators, tail lights, and headlights, along with additional exterior elements painted in obsidian black.

Designed and priced as a package, including items listed below.

Consisting of:

Darkened indicators, tail lights and headlights

Exterior mirror housing painted obsidian black

Exterior protective strip with trim insert in black pinstripe

Radiator grille including louvres and surround of Mercedes star painted obsidian black (code P55 only) or AMG-specific radiator grille, dark chrome-plated (code P56 only)

Spare wheel rim painted obsidian black

Trim elements bumpers painted in obsidian black

Model line	Night package (code P55)	AMG Night package (code P56)
AMG Line Premium Plus	○	–
Edition One	●	–
Mercedes-AMG G63	–	○
Mercedes-AMG G63 Carbon Edt.	–	–
Mercedes-AMG G63 MANUFAKTUR Edt.	–	○
Mercedes-AMG G63 Magno Edt.	–	●
Total incl. VAT	£1,500.00	£2,250.00



Extended Night package and Extended AMG Night package

○ Optional – Not available

With the Extended Night package or Extended AMG Night package you can elevate your vehicle's style further with MANUFAKTUR roof, bumpers and flared wheel arches in obsidian black, complemented by MANUFAKTUR running boards in black and an AMG-specific exhaust system in black (Mercedes-AMG models only), all designed to enhance both aesthetics and performance. This package is only available in conjunction with Night package (code P55) or AMG Night package (code P56).

Designed and priced as a package, including items listed below.

Consisting of:

AMG-specific exhaust system in black (code DPB only)	MANUFAKTUR roof painted in obsidian black
MANUFAKTUR bumpers and flared wheel arches in obsidian black	MANUFAKTUR running boards in black

Model line	Extended Night package (code DPS)	Extended AMG Night package (code DPB)
AMG Line Premium Plus	○	–
Edition One	–	–
Mercedes-AMG G 63	–	○
Mercedes-AMG G 63 Carbon Edt.	–	○
Mercedes-AMG G 63 MANUFAKTUR Edt.	–	○
Mercedes-AMG G 63 Magno Edt.	–	–
Total incl. VAT	£2,995.00	£2,995.00





Extended Night package Magno and Extended AMG Night package Magno

○ Optional – Not available

With the Extended Night package or Extended AMG Night package you can elevate your vehicle's style further with MANUFAKTUR roof, bumpers and flared wheel arches in night black magno, complemented by MANUFAKTUR running boards in black and an AMG-specific exhaust system in black (Mercedes-AMG models only), all designed to enhance both aesthetics and performance. This package is only available in conjunction with Night package (code P55) or AMG Night package (code P56).

Designed and priced as a package, including items listed below.

Consisting of:

AMG-specific exhaust system in black (code DPA only)	MANUFAKTUR roof painted in night black magno
MANUFAKTUR bumpers and flared wheel arches in night black magno	MANUFAKTUR running boards in black

Model line	Extended Night package Magno (code DPN)	Extended AMG Night package Magno (code DPA)
AMG Line Premium Plus	○	–
Edition One	–	–
Mercedes-AMG G 63	–	○
Mercedes-AMG G 63 Carbon Edt.	–	○
Mercedes-AMG G 63 MANUFAKTUR Edt.	–	○
Mercedes-AMG G 63 Magno Edt.	–	○
Total incl. VAT	£2,995.00	£2,995.00



[Book a test drive](#)[Find your G-Class](#)[Find a Showroom](#)

MANUFAKTUR Schöckl Design package

With the MANUFAKTUR Schöckl Design package, you can enhance the visual appeal of your vehicle. The MANUFAKTUR Schöckl insert within the spare wheel cover, MANUFAKTUR Schöckl exterior protective strip, and MANUFAKTUR Schöckl front door sill panels are all meticulously crafted to represent rugged sophistication.

MANUFAKTUR Schöckl Design package (code HK1)
– designed and priced as a package, including items listed below.

AMG Line Premium Plus only
Total incl. VAT £850.00

Consisting of:

MANUFAKTUR Schöckl insert in spare wheel cover

MANUFAKTUR Schöckl exterior protective strip

MANUFAKTUR Schöckl front door sill panels

[Design](#)[Technology](#)[EQ Technology](#)[Model line](#)[Model prices](#)[Mercedes-AMG](#)[Mercedes-AMG prices](#)[Personalisation](#)[Standard equipment](#)[Genuine accessories](#)[Technical data](#)[Additional information](#)

AMG Performance package

The AMG Performance package has been meticulously crafted to redefine your driving experience. With the inclusion of the RACE START function as well as the AMG Driver's package, boosting the top speed to an electrifying 149 mph, every moment behind the wheel is defined by unparalleled speed and precision.

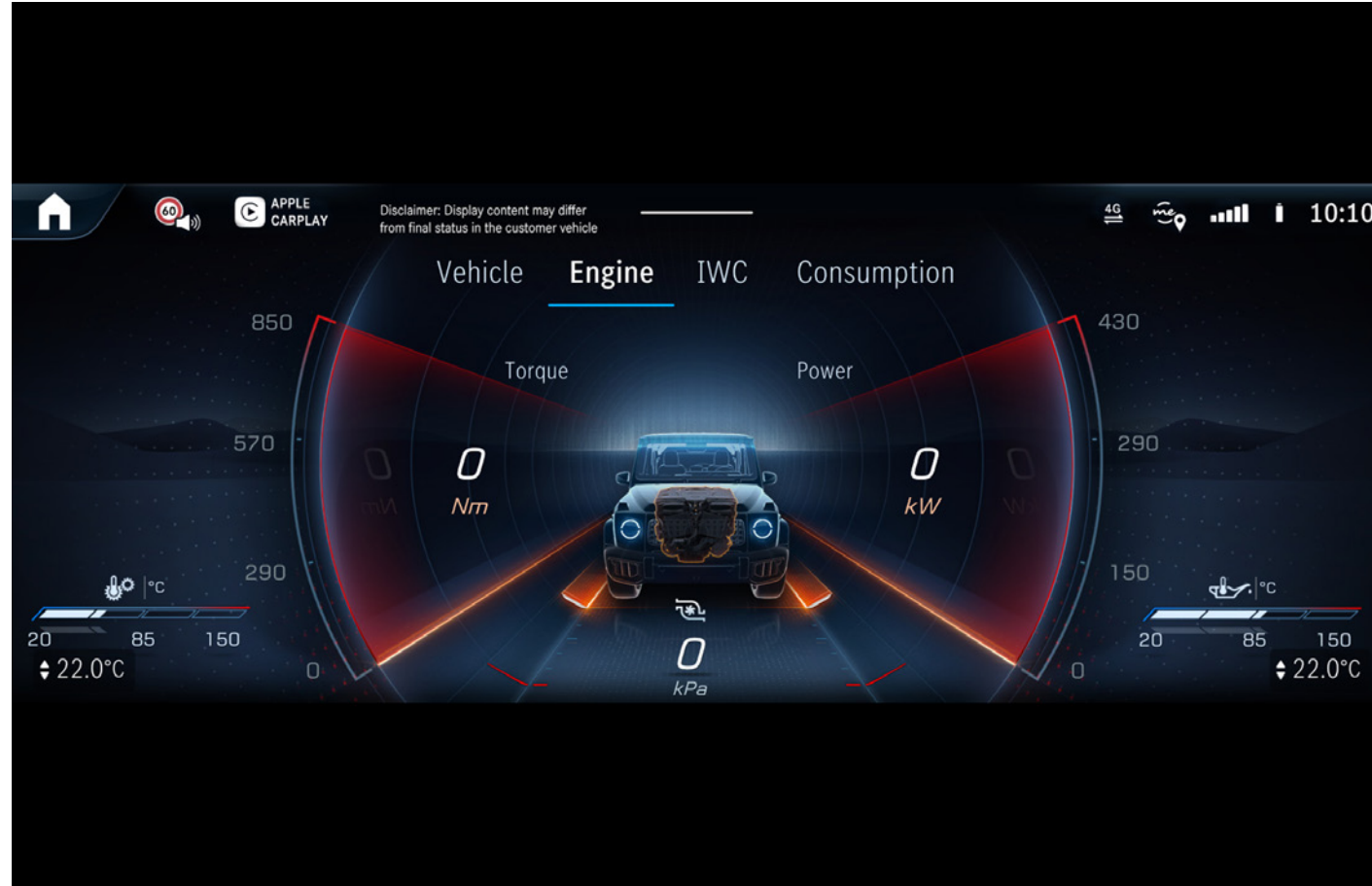
AMG Performance package (code PT3) – designed and priced as a package, including items listed below.

Available on all Mercedes-AMG G 63 models only
Total incl. VAT £1,445.00

Consisting of:

AMG Driver's package – increases top speed to 149 mph

RACE START function – the RACE START function in the 'Sport' and 'Sport+' drive programmes allows you to access the full sprint potential. Increased start-off engine speed in combination with optimum gearshift timing results in maximum traction. RACE START is also shown on the instrument display.



Design	Technology	EQ Technology	Model line	Model prices	Mercedes-AMG	Mercedes-AMG prices	Personalisation	Standard equipment	Genuine accessories	Technical data	Additional information
--------	------------	---------------	------------	--------------	--------------	---------------------	-----------------	--------------------	---------------------	----------------	------------------------

Wheels

● Standard □ No-cost option - Not available



R16 20" AMG alloy wheels – 5-twin-spoke design, painted high-gloss black with a high-shine finish, 275/50 R20 tyres

AMG Line Premium Plus	●
Edition One	-



RN8 20" AMG alloy wheels – 10-spoke design, aerodynamically optimised, painted high-gloss black, 275/50 R20 tyres

AMG Line Premium Plus	-
Edition One	●



R17 20" AMG alloy wheels – 5-twin-spoke design, painted himalayas grey with a high-shine finish, 275/50 R20 tyres

AMG Line Premium Plus	□
Edition One	-



R18 20" AMG alloy wheels – 5-twin-spoke design, painted black and burnished, 275/50 R20 tyres

AMG Line Premium Plus	□
Edition One	-

Wheels Mercedes-AMG

● Standard □ No-cost option



RG4 22" AMG forged wheels - cross-spoke design, painted matt black with a high-shine rim flange, 295/40 R22 tyres

Mercedes-AMG G63	●
Mercedes-AMG G63 Carbon Edition	●
Mercedes-AMG G63 MANUFAKTUR Edition	●
Mercedes-AMG G63 Magno Edition	●



RG5 22" AMG forged wheels - cross-spoke design, painted titanium grey with a high-shine finish, 295/40 R22 tyres

Mercedes-AMG G63	□
Mercedes-AMG G63 Carbon Edition	□
Mercedes-AMG G63 MANUFAKTUR Edition	□
Mercedes-AMG G63 Magno Edition	□



R19 22" AMG forged wheels - multi-spoke design, painted himalaya grey with a high-shine finish, 295/40 R22 tyres

Mercedes-AMG G63	□
Mercedes-AMG G63 Carbon Edition	□
Mercedes-AMG G63 MANUFAKTUR Edition	□
Mercedes-AMG G63 Magno Edition	□



R20 22" AMG forged wheels - multi-spoke design, painted matt black with a high-shine finish, 295/40 R22 tyres

Mercedes-AMG G63	□
Mercedes-AMG G63 Carbon Edition	□
Mercedes-AMG G63 MANUFAKTUR Edition	□
Mercedes-AMG G63 Magno Edition	□

Colour options

Non-metallic and metallic paints

● Standard □ No-cost option – Not available



149 polar white non-metallic

AMG Line Premium Plus	<input type="checkbox"/>
Edition One	–
Mercedes-AMG G63	<input type="checkbox"/>
Mercedes-AMG G63 Carbon Edt.	<input type="checkbox"/>
Mercedes-AMG G63 MANUFAKTUR Edt.	–
Mercedes-AMG G63 Magno Edt.	–



197 obsidian black metallic

AMG Line Premium Plus	●
Edition One	●
Mercedes-AMG G63	●
Mercedes-AMG G63 Carbon Edt.	●
Mercedes-AMG G63 MANUFAKTUR Edt.	–
Mercedes-AMG G63 Magno Edt.	–



775 iridium silver metallic

AMG Line Premium Plus	<input type="checkbox"/>
Edition One	–
Mercedes-AMG G63	<input type="checkbox"/>
Mercedes-AMG G63 Carbon Edt.	<input type="checkbox"/>
Mercedes-AMG G63 MANUFAKTUR Edt.	–
Mercedes-AMG G63 Magno Edt.	–



842 sodalite blue metallic

AMG Line Premium Plus	<input type="checkbox"/>
Edition One	–
Mercedes-AMG G63	<input type="checkbox"/>
Mercedes-AMG G63 Carbon Edt.	<input type="checkbox"/>
Mercedes-AMG G63 MANUFAKTUR Edt.	–
Mercedes-AMG G63 Magno Edt.	–



859 mojave silver metallic

AMG Line Premium Plus	<input type="checkbox"/>
Edition One	–
Mercedes-AMG G63	<input type="checkbox"/>
Mercedes-AMG G63 Carbon Edt.	<input type="checkbox"/>
Mercedes-AMG G63 MANUFAKTUR Edt.	–
Mercedes-AMG G63 Magno Edt.	–



896 brilliant blue metallic

AMG Line Premium Plus	<input type="checkbox"/>
Edition One	–
Mercedes-AMG G63	<input type="checkbox"/>
Mercedes-AMG G63 Carbon Edt.	<input type="checkbox"/>
Mercedes-AMG G63 MANUFAKTUR Edt.	–
Mercedes-AMG G63 Magno Edt.	–



989 emerald green metallic

AMG Line Premium Plus	<input type="checkbox"/>
Edition One	–
Mercedes-AMG G63	<input type="checkbox"/>
Mercedes-AMG G63 Carbon Edt.	<input type="checkbox"/>
Mercedes-AMG G63 MANUFAKTUR Edt.	–
Mercedes-AMG G63 Magno Edt.	–



992 selenite grey metallic

AMG Line Premium Plus	<input type="checkbox"/>
Edition One	–
Mercedes-AMG G63	<input type="checkbox"/>
Mercedes-AMG G63 Carbon Edt.	<input type="checkbox"/>
Mercedes-AMG G63 MANUFAKTUR Edt.	–
Mercedes-AMG G63 Magno Edt.	–

Please note that, owing to limitations of on-screen representation, paint colours may differ from those shown

Colour options MANUFAKTUR paints

● Standard □ No-cost option ○ Optional – Not available



026 ocean blue metallic

AMG Line Premium Plus	○
Edition One	–
Mercedes-AMG G 63	○
Mercedes-AMG G 63 Carbon Edt.	○
Mercedes-AMG G 63 MANUFAKTUR Edt.	□
Mercedes-AMG G 63 Magno Edt.	–
Total RRP incl. VAT	£4,000



041 graphite metallic

AMG Line Premium Plus	○
Edition One	–
Mercedes-AMG G 63	○
Mercedes-AMG G 63 Carbon Edt.	○
Mercedes-AMG G 63 MANUFAKTUR Edt.	●
Mercedes-AMG G 63 Magno Edt.	–
Total RRP incl. VAT	£4,000



124 classic grey solid

AMG Line Premium Plus	○
Edition One	□
Mercedes-AMG G 63	○
Mercedes-AMG G 63 Carbon Edt.	○
Mercedes-AMG G 63 MANUFAKTUR Edt.	□
Mercedes-AMG G 63 Magno Edt.	–
Total RRP incl. VAT	£4,000



162 south seas blue metallic

AMG Line Premium Plus	○
Edition One	–
Mercedes-AMG G 63	○
Mercedes-AMG G 63 Carbon Edt.	○
Mercedes-AMG G 63 MANUFAKTUR Edt.	□
Mercedes-AMG G 63 Magno Edt.	–
Total RRP incl. VAT	£4,000



255 olive metallic

AMG Line Premium Plus	○
Edition One	–
Mercedes-AMG G 63	○
Mercedes-AMG G 63 Carbon Edt.	○
Mercedes-AMG G 63 MANUFAKTUR Edt.	□
Mercedes-AMG G 63 Magno Edt.	–
Total RRP incl. VAT	£4,000



464 desert sand non-metallic

AMG Line Premium Plus	○
Edition One	–
Mercedes-AMG G 63	○
Mercedes-AMG G 63 Carbon Edt.	○
Mercedes-AMG G 63 MANUFAKTUR Edt.	□
Mercedes-AMG G 63 Magno Edt.	–
Total RRP incl. VAT	£4,000



660 rubellite red metallic

AMG Line Premium Plus	○
Edition One	–
Mercedes-AMG G 63	○
Mercedes-AMG G 63 Carbon Edt.	○
Mercedes-AMG G 63 MANUFAKTUR Edt.	□
Mercedes-AMG G 63 Magno Edt.	–
Total RRP incl. VAT	£4,000



693 travertine beige metallic

AMG Line Premium Plus	○
Edition One	–
Mercedes-AMG G 63	○
Mercedes-AMG G 63 Carbon Edt.	○
Mercedes-AMG G 63 MANUFAKTUR Edt.	□
Mercedes-AMG G 63 Magno Edt.	–
Total RRP incl. VAT	£4,000



825 deep green non-metallic

AMG Line Premium Plus	○
Edition One	–
Mercedes-AMG G 63	○
Mercedes-AMG G 63 Carbon Edt.	○
Mercedes-AMG G 63 MANUFAKTUR Edt.	●
Mercedes-AMG G 63 Magno Edt.	–
Total RRP incl. VAT	£4,000



885 opalite white bright

AMG Line Premium Plus	○
Edition One	□
Mercedes-AMG G 63	○
Mercedes-AMG G 63 Carbon Edt.	○
Mercedes-AMG G 63 MANUFAKTUR Edt.	□
Mercedes-AMG G 63 Magno Edt.	–
Total RRP incl. VAT	£4,000

Please note that, owing to limitations of on-screen representation, paint colours may differ from those shown

[Book a test drive](#)[Find your G-Class](#)[Find a Showroom](#)

Colour options MANUFAKTUR paints

No-cost option Optional Not available



904 dark blue non-metallic

AMG Line Premium Plus	<input type="radio"/>
Edition One	–
Mercedes-AMG G63	<input type="radio"/>
Mercedes-AMG G63 Carbon Edt.	<input type="radio"/>
Mercedes-AMG G63 MANUFAKTUR Edt.	<input type="checkbox"/>
Mercedes-AMG G63 Magno Edt.	–
Total RRP incl. VAT	£4,000



914 sun yellow non-metallic

AMG Line Premium Plus	<input type="radio"/>
Edition One	–
Mercedes-AMG G63	<input type="radio"/>
Mercedes-AMG G63 Carbon Edt.	<input type="radio"/>
Mercedes-AMG G63 MANUFAKTUR Edt.	<input type="checkbox"/>
Mercedes-AMG G63 Magno Edt.	–
Total RRP incl. VAT	£4,000



934 vintage blue non-metallic

AMG Line Premium Plus	<input type="radio"/>
Edition One	–
Mercedes-AMG G63	<input type="radio"/>
Mercedes-AMG G63 Carbon Edt.	<input type="radio"/>
Mercedes-AMG G63 MANUFAKTUR Edt.	<input type="checkbox"/>
Mercedes-AMG G63 Magno Edt.	–
Total RRP incl. VAT	£4,000



963 indium grey metallic

AMG Line Premium Plus	<input type="radio"/>
Edition One	–
Mercedes-AMG G63	<input type="radio"/>
Mercedes-AMG G63 Carbon Edt.	<input type="radio"/>
Mercedes-AMG G63 MANUFAKTUR Edt.	<input type="checkbox"/>
Mercedes-AMG G63 Magno Edt.	–
Total RRP incl. VAT	£4,000



996 hyacinth red metallic

AMG Line Premium Plus	<input type="radio"/>
Edition One	–
Mercedes-AMG G63	<input type="radio"/>
Mercedes-AMG G63 Carbon Edt.	<input type="radio"/>
Mercedes-AMG G63 MANUFAKTUR Edt.	<input type="checkbox"/>
Mercedes-AMG G63 Magno Edt.	–
Total RRP incl. VAT	£4,000

Please note that, owing to limitations of on-screen representation, paint colours may differ from those shown

[Book a test drive](#)[Find your G-Class](#)[Find a Showroom](#)

Colour options MANUFAKTUR magno paints¹

No-cost option Optional



051 platinum magno

AMG Line Premium Plus	<input type="radio"/>
Edition One	–
Mercedes-AMG G 63	<input type="radio"/>
Mercedes-AMG G 63 Carbon Edt.	<input type="radio"/>
Mercedes-AMG G 63 MANUFAKTUR Edt.	<input type="checkbox"/>
Mercedes-AMG G 63 Magno Edt.	<input type="checkbox"/>
Total RRP incl. VAT	£6,000



054 monza grey magno

AMG Line Premium Plus	<input type="radio"/>
Edition One	–
Mercedes-AMG G 63	<input type="radio"/>
Mercedes-AMG G 63 Carbon Edt.	<input type="radio"/>
Mercedes-AMG G 63 MANUFAKTUR Edt.	<input type="checkbox"/>
Mercedes-AMG G 63 Magno Edt.	<input type="checkbox"/>
Total RRP incl. VAT	£6,000



056 night black magno

AMG Line Premium Plus	<input type="radio"/>
Edition One	–
Mercedes-AMG G 63	<input type="radio"/>
Mercedes-AMG G 63 Carbon Edt.	<input type="radio"/>
Mercedes-AMG G 63 MANUFAKTUR Edt.	<input type="checkbox"/>
Mercedes-AMG G 63 Magno Edt.	<input type="checkbox"/>
Total RRP incl. VAT	£6,000



164 dark olive green magno

AMG Line Premium Plus	<input type="radio"/>
Edition One	–
Mercedes-AMG G 63	<input type="radio"/>
Mercedes-AMG G 63 Carbon Edt.	<input type="radio"/>
Mercedes-AMG G 63 MANUFAKTUR Edt.	<input type="checkbox"/>
Mercedes-AMG G 63 Magno Edt.	<input type="checkbox"/>
Total RRP incl. VAT	£6,000



271 citrine brown magno

AMG Line Premium Plus	<input type="radio"/>
Edition One	–
Mercedes-AMG G 63	<input type="radio"/>
Mercedes-AMG G 63 Carbon Edt.	<input type="radio"/>
Mercedes-AMG G 63 MANUFAKTUR Edt.	<input type="checkbox"/>
Mercedes-AMG G 63 Magno Edt.	<input type="checkbox"/>
Total RRP incl. VAT	£6,000



658 copper orange magno

AMG Line Premium Plus	<input type="radio"/>
Edition One	–
Mercedes-AMG G 63	<input type="radio"/>
Mercedes-AMG G 63 Carbon Edt.	<input type="radio"/>
Mercedes-AMG G 63 MANUFAKTUR Edt.	<input type="checkbox"/>
Mercedes-AMG G 63 Magno Edt.	<input type="checkbox"/>
Total RRP incl. VAT	£6,000



659 opalite white magno

AMG Line Premium Plus	<input type="radio"/>
Edition One	<input type="checkbox"/>
Mercedes-AMG G 63	<input type="radio"/>
Mercedes-AMG G 63 Carbon Edt.	<input type="radio"/>
Mercedes-AMG G 63 MANUFAKTUR Edt.	<input type="checkbox"/>
Mercedes-AMG G 63 Magno Edt.	<input type="checkbox"/>
Total RRP incl. VAT	£6,000



677 kalahari gold magno

AMG Line Premium Plus	<input type="radio"/>
Edition One	–
Mercedes-AMG G 63	<input type="radio"/>
Mercedes-AMG G 63 Carbon Edt.	<input type="radio"/>
Mercedes-AMG G 63 MANUFAKTUR Edt.	<input type="checkbox"/>
Mercedes-AMG G 63 Magno Edt.	<input type="checkbox"/>
Total RRP incl. VAT	£6,000



739 olive magno

AMG Line Premium Plus	<input type="radio"/>
Edition One	–
Mercedes-AMG G 63	<input type="radio"/>
Mercedes-AMG G 63 Carbon Edt.	<input type="radio"/>
Mercedes-AMG G 63 MANUFAKTUR Edt.	<input type="checkbox"/>
Mercedes-AMG G 63 Magno Edt.	<input type="checkbox"/>
Total RRP incl. VAT	£6,000



795 manganite grey magno

AMG Line Premium Plus	<input type="radio"/>
Edition One	–
Mercedes-AMG G 63	<input type="radio"/>
Mercedes-AMG G 63 Carbon Edt.	<input type="radio"/>
Mercedes-AMG G 63 MANUFAKTUR Edt.	<input type="checkbox"/>
Mercedes-AMG G 63 Magno Edt.	<input type="checkbox"/>
Total RRP incl. VAT	£6,000

¹MANUFAKTUR magno matt paint finishes require extra care. Please refer to the Owner's Manual for instructions Please note that, owing to limitations of on-screen representation, paint colours may differ from those shown



Colour options MANUFAKTUR magno paints¹

No-cost option Optional - Not available



964 hyper blue magno

AMG Line Premium Plus	-
Edition One	-
Mercedes-AMG G 63	<input type="radio"/>
Mercedes-AMG G 63 Carbon Edt.	-
Mercedes-AMG G 63 MANUFAKTUR Edt.	-
Mercedes-AMG G 63 Magno Edt.	-
Total RRP incl. VAT	£6,000



376 exclusive green hell magno

AMG Line Premium Plus	-
Edition One	-
Mercedes-AMG G 63	<input type="radio"/>
Mercedes-AMG G 63 Carbon Edt.	<input type="radio"/>
Mercedes-AMG G 63 MANUFAKTUR Edt.	<input type="checkbox"/>
Mercedes-AMG G 63 Magno Edt.	<input type="checkbox"/>
Total RRP incl. VAT	£7,500



591 exclusive south seas blue magno

AMG Line Premium Plus	-
Edition One	<input type="checkbox"/>
Mercedes-AMG G 63	-
Mercedes-AMG G 63 Carbon Edt.	-
Mercedes-AMG G 63 MANUFAKTUR Edt.	-
Mercedes-AMG G 63 Magno Edt.	-
Total RRP incl. VAT	-



644 exclusive brilliant blue magno

AMG Line Premium Plus	<input type="radio"/>
Edition One	-
Mercedes-AMG G 63	<input type="radio"/>
Mercedes-AMG G 63 Carbon Edt.	<input type="radio"/>
Mercedes-AMG G 63 MANUFAKTUR Edt.	<input type="checkbox"/>
Mercedes-AMG G 63 Magno Edt.	<input type="checkbox"/>
Total RRP incl. VAT	£7,500



823 exclusive hyacinth red magno

AMG Line Premium Plus	<input type="radio"/>
Edition One	-
Mercedes-AMG G 63	<input type="radio"/>
Mercedes-AMG G 63 Carbon Edt.	<input type="radio"/>
Mercedes-AMG G 63 MANUFAKTUR Edt.	<input type="checkbox"/>
Mercedes-AMG G 63 Magno Edt.	<input type="checkbox"/>
Total RRP incl. VAT	£7,500

¹MANUFAKTUR magno matt paint finishes require extra care. Please refer to the Owner's Manual for instructions

Please note that, owing to limitations of on-screen representation, paint colours may differ from those shown



Standard equipment

● Standard ○ Optional △ Part of a package – Not available

Engine, Transmission and Suspension

	AMG Premium Plus	Edition One
4MATIC Permanent four-wheel drive	●	●
9G-TRONIC transmission with cruise control and variable speed limiter	●	–
100% differential locks	●	–
Charging cable – Mode 3 cable (5 metres, straight) for wallbox and public charging stations	–	●
Charging system – rated at 11kW AC and 200kW DC	–	●
Differential locks (transfer case, front and rear axle)	●	–
DYNAMIC SELECT with seven transmission modes: 'Comfort', 'ECO', 'Sport', 'Individual', 'Trail', 'ROCK' and 'Sand'	●	–
ELECTRIC DYNAMIC SELECT with five transmission modes: 'Comfort', 'Sport', 'Individual', 'Trail', 'ROCK' and five recuperation levels 'Dauto', 'D+', 'D', 'D-', 'D -'	–	●
G STEERING ¹ – can significantly reduce the turning circle of the all-new electric G-Class when driving off-road or on loose surfaces	–	●
G TURN ¹ – drivers can turn the all-new electric G-Class almost on the spot. The vehicle performs up to two complete vehicle turns in the desired direction on unpaved or loose surfaces	–	●
Off-road crawling ² – provides drivers with additional support when driving off-road by maintaining a pre-set speed	–	●
Single-speed transmission with cruise control and variable speed limiter	–	●
Suspension with selective passive damping system	●	●

Exterior

	AMG Premium Plus	Edition One
Adaptive Highbeam Assist Plus – the driver is free to concentrate on the traffic without constantly having to select between low and high beam	●	●
Ambient lighting with projection of brand logo	●	●
Brake calipers – blue	–	●
Brake calipers with 'Mercedes-Benz' lettering	●	–
Bumper insert in obsidian black		△
Bumper insert in stainless steel	●	–
Design box for charging cable	–	●
Diesel particulate filter (G450 d only)	●	–
Door mirrors – electrically adjustable and heated Integrated indicators, front area lighting and automatically dimming driver's mirror	●	●
Electric sunroof – sliding, with one-touch opening		●
Exterior mirror housings in obsidian black	△	●
Exterior mirror housings in vehicle colour	●	–
Exterior protective strip with trim insert and blue accent	–	●
Exterior protective strip with trim insert in brushed aluminium	●	–
Heated windscreen	●	●
Low range gear reduction (electronically selectable while driving)	●	–
MANUFAKTUR doorknob with embossed logo in black	–	●
MANUFAKTUR Logo package in black	–	●
MANUFAKTUR logo projector in exterior mirror	–	●

¹It is not permissible to use G-TURN and G-STEERING on any public roads and such use is in no way authorised, promoted or condoned. Use G-TURN and G-STEERING only on loose or soft surfaces, e.g. gravel or snow, with relevant land permission

²The intelligent off-road crawl function is an aid only. The driver is responsible at all times for maintaining a sufficient distance from the vehicle in front or from any obstacles

[Book a test drive](#)[Find your G-Class](#)[Find a Showroom](#)

Standard equipment

● Standard △ Part of a package – Not available

Exterior (continued)

	AMG Premium Plus	Edition One
MULTIBEAM LED headlamps – individually controlled LEDs precisely mask out other vehicles and at the same time illuminate the surroundings in light which is almost as bright as daylight without dazzling other road users	●	●
Night package	○	●
Petrol particulate filter (G500 only)	●	–
Privacy glass – dark glass from B-pillar backwards	●	●
Radiator grille in obsidian black	△	●
Rain-sensing wipers	●	●
Running boards in silver	●	●
Spare wheel cover in vehicle colour with spare wheel ring in stainless steel	●	–
Tail lights featuring LED technology	●	●
Trailer coupling with ESP® trailer stabilisation	●	–
Underguard in silver – reinforced underfloor panelling the full length of the vehicle	●	–

Wheels

20" AMG alloy wheels – 5-twin-spoke design, painted high-gloss black with a high-sheen finish, 275/50 R20 tyres (code R16)	●	–
20" AMG alloy wheels – 10-spoke design, aerodynamically optimised, painted high-gloss black, 275/50 R20 tyres (code RN8)	–	●
Spare wheel	●	–
Summer tyres	●	●

Interior

	AMG Premium Plus	Edition One
Ambient lighting – 64 colours	●	●
AMG floor mats with 'AMG' lettering	●	●
Automatically dimming rear-view mirror	●	●
Centre armrest between front seats with integrated stowage compartment	●	●
Cup holders – front (2) and rear (2)	●	●
Dashboard – leather	●	–
Dashboard – nappa leather	△	●
Electric windows (4)	●	●
ENERGIZING package Plus – for enhanced performance capability at the wheel and an extremely pleasant journey, this package combines the active multicontour seats with ENERGIZING comfort control. Your vehicle can revitalise and pamper you with 6 perfectly composed programs including massage function	△	●
Ionisation of interior air including fine-particle activated charcoal filter system	●	●
KEYLESS-GO starting function	●	●
Luggage compartment cover	●	●
MANUFAKTUR grab handles in leather	–	●
Memory package – memory function for seats, head restraints, exterior mirrors and steering wheel	●	●
Partition net	●	●
Seats – electrically adjustable (front and rear)	●	●
Seats – heated (front and rear)	●	●
Seats – rear bench split-folding ½:½	●	●
Seats – ventilated multicontour (front)	△	●
Seat belt pre-tensioners (4)	●	●
Seat belts, 3-point design in black	●	–

[Book a test drive](#)[Find your G-Class](#)[Find a Showroom](#)

Standard equipment

● Standard – Not available

Interior

	AMG Premium Plus	Edition One
Seat belts, 3-point design in magma grey	–	●
Stainless steel door sill panels, set of four, illuminated, with 'Mercedes-Benz' lettering at the front	●	●
Stowage Space package – including removable double cup holder in centre console, bottle holders in door pockets, map pockets on back of front seats, and glasses compartment in overhead control panel	●	●
SUPERIOR Line Interior	△	●
Dashboard – nappa leather	△	●
THERMOTRONIC automatic climate control with three climate zones and three climate styles: Medium, Diffuse and Focused	●	●

Steering

Steering column – electrically adjustable with automatic adjustment for entry/exit	●	●
Steering wheel – heated	●	●
Steering wheel – multifunction sports steering wheel in nappa leather	●	●

Paint, Trim and Upholstery

Paint – metallic	●	●
Roof lining – DINAMICA roof liner in black	●	●
Trim – blue carbon-fibre trim elements	–	●
Trim – MANUFAKTUR black flamed open-pore ash wood	●	–
Upholstery – Exclusive nappa leather in silver pearl/black	–	●
Upholstery – nappa leather in black	●	–

Communications and In-Car Entertainment

	AMG Premium Plus	Edition One
12V sockets in centre console, rear and load compartment	●	●
Bluetooth® interface for hands-free telephony	●	●
Burmester® 3D surround sound system	●	●
Communications module (LTE) for the use of Digital Extras ¹	●	●
DAB digital radio tuner	●	●
Digital Extras (standard services) ¹ – emergency call system (eCall) ² , accident recovery, breakdown management and maintenance management	●	●
G-ROAR – a unique sound experience inspired by the sound of a V8 engine	–	●
MBUX augmented reality navigation	●	●
MBUX multimedia system	●	●
Smartphone integration ³ comprising Apple CarPlay® and Android Auto™ – see www.apple.com/uk/ios/carplay/ or www.android.com/intl/en_uk/auto for compatibility and approved apps. Certain features and apps require a 3G/4G data connection. Control of features available through voice control and controller on centre console	●	●
Sound personalisation	●	●
Two USB ports in the rear	●	●
Widescreen cockpit with dual bonded 12.3" widescreen displays	●	●
Wireless charging ³ (front)	●	●

Safety and Assistance Systems

Active Parking Assist with PARKTRONIC ⁴	●	●
Anti-lock braking system (ABS) with Brake Assist (BAS)	●	●
Anti-theft alarm system with tow-away protection and interior motion sensor (Thatcham Category 1 compliant)	●	●

¹The connection of the communication module to the mobile phone network including the emergency call system depends on the respective network coverage and availability of network providers assistance and safety systems are aids and do not relieve you of your responsibility as the driver. Please take note of the information in the Owner's Manual and the system limits which are described therein

²Please be aware Mercedes-Benz emergency call system comes as standard for the first 10 years of the vehicle's lifecycle

³Compatible mobile phone required

⁴Our driver



Standard equipment

● Standard – Not available

Safety and Assistance Systems (continued)

ATTENTION ASSIST – can detect typical symptoms of drowsiness on the basis of driver behaviour and alert the driver to increasing fatigue and inattention

Dashcam

Driving Assistance package¹ (see page 13 for details)

Electronic Stability Programme (ESP®) with Acceleration Skid Control (ASR)

Four-wheel Electronic Traction System (4ETS)

GUARD 360° Vehicle Protection Plus² – anti-theft protection hardware including alarm and immobilizer. Theft notification and park damage detection³, stolen vehicle locator³, 360° surroundview-camera snapshots³ and remote key immobilizer³

Headlight Assist – automatic headlamp activation

i-Size child seat attachment system for outer rear seats

OFFROAD COCKPIT – visualises all relevant data when driving in unpaved off-road terrain

AMG Premium Plus
Edition One

● ●

● ●

● ●

● ●

● ●

● ●

● ●

● ●

● ●

Parking package with 360° camera

PRE-SAFE® system – preventive occupant protection

Remote and Charging Services Premium²

Remote Services Premium²

Service indicator ASSYST

Technology package – maximum safety and relaxed driving with the Driving Assistance package¹ and Parking package with 360° camera

Tirefit

Traffic Sign Assist

Transparent bonnet

Tyre pressure monitoring system

AMG Premium Plus
Edition One

● ●

● ●

– ●

● –

● ●

● ●

– ●

● ●

● ●

● ●

¹Our driver assistance and safety systems are aids and do not relieve you of your responsibility as the driver. Please take note of the information in the Owner's Manual and the system limits which are described therein of network providers

³Free of charge for three years from activation

²The connection of the communication module to the mobile phone network including the emergency call system depends on the respective network coverage and availability

[Book a test drive](#)[Find your G-Class](#)[Find a Showroom](#)

Standard equipment

● Standard ○ Optional △ Part of a package – Not available

Engine, Transmission and Suspension

	G 63	G 63 MANUFAKTUR Edition	G 63 Magna Edition	G 63
4MATIC Permanent four-wheel drive	●	●	●	●
100% differential locks	●	●	●	●
AMG ACTIVE RIDE CONTROL with active hydraulic roll stabilisation	●	●	●	●
AMG DYNAMIC SELECT with 8 transmission modes 'Comfort', 'Slippery', 'Sport', 'Sport+', 'Individual', 'Trail', 'Rock', 'Sand' and AMG Dynamics agilisation functions 'Basic', 'Advanced' and 'Pro'	●	●	●	●
AMG high-performance braking system with internally ventilated and perforated brake discs measuring 400×38 mm at the front, 370×22 mm at the rear	●	●	●	●
AMG SPEEDSHIFT 9G-TRONIC sports transmission with cruise control and variable speed limiter	●	●	●	●

Exterior

Adaptive Highbeam Assist Plus – the driver is free to concentrate on the traffic without constantly having to select between low and high beam	●	●	●	●
Ambient lighting with projection of brand logo	●	●	●	●
AMG bodystyling with exclusive Mercedes-AMG G 63 front aprons with cooling air intakes and flared wheel arches in vehicle colour	●	●	●	●
AMG brake callipers, painted red	●	●	●	●
AMG Exterior Carbon-Fibre package	–	●	–	–
AMG Night package	○	–	○	●
AMG Night package II – typography in high-gloss black and Mercedes-Benz star in high-gloss black front and rear	–	–	–	●
AMG mirror cover in carbon-fibre design	–	●	–	–
AMG Performance exhaust system, selectable and two chrome-trimmed twin tailpipes, left and right	●	●	●	●
AMG-specific radiator grille with AMG logo	●	●	●	●

	G 63	G 63 MANUFAKTUR Edition	G 63 Magna Edition	G 63
Bumper insert in carbon fibre	–	●	–	–
Bumper insert in night black magno	△	–	△	●
Bumper insert in obsidian black	△	–	△	–
Bumper insert in stainless steel	●	–	●	–
Door mirrors – electrically adjustable and heated Integrated indicators, front area lighting and automatically dimming driver's mirror	●	●	●	●
Electric sunroof – sliding, with one-touch opening	●	●	●	●
Exterior mirror housings in night black magno	△	–	△	●
Exterior mirror housings in obsidian black	△	–	△	–
Exterior mirror housings in vehicle colour	●	–	●	–
Exterior protective strip with trim insert in black	●	–	●	●
Exterior protective strip with trim insert in carbon-fibre design	–	●	–	–
Heated windscreen	●	●	●	●
Low range gear reduction (electronically selectable while driving)	●	●	●	●
MANUFAKTUR Logo package	–	–	●	–
MANUFAKTUR logo projector in exterior mirror	–	–	●	–
MULTIBEAM LED headlamps enable continuous main beam without dazzling other road users. Individually controlled LEDs precisely mask out other vehicles and at the same time illuminate the surroundings in light which is almost as bright as daylight	●	●	●	●
Petrol particulate filter	●	●	●	●
Privacy glass – dark glass from B-pillar backwards	●	●	●	●
Rain-sensing wipers	●	●	●	●



Standard equipment

● Standard △ Part of a package – Not available

Exterior (continued)

	G 63	G 63 MANUFAKTUR G 63 Carbon Edition	G 63 Magna Edition	G 63 Magna Edition
Tail lights featuring LED technology	●	●	●	●
Trailer coupling with ESP® trailer stabilisation	●	●	●	●
Underguard – front simulated underguard in carbon fibre	–	●	–	–
Underguard – simulated underguard in night black magno	△	–	△	●
Underguard – silver	●	–	●	–
'V8 BITURBO' lettering	●	●	●	●

Wheels

22" AMG forged wheels – cross-spoke design, painted matt black with a high-shine rim flange, 295/40 R22 tyres (code RG4)	●	●	●	●
Spare wheel	●	●	●	●
Spare wheel cover – vehicle colour	●	–	–	●
Spare wheel cover – carbon fibre	–	●	–	–
Spare wheel cover – MANUFAKTUR spare wheel cover in vehicle colour	–	–	●	–
Spare wheel ring – night black magno	△	–	△	●
Spare wheel ring – obsidian black	–	●	–	–
Spare wheel ring – stainless steel	●	–	–	–
Spare wheel ring – vehicle colour	–	–	●	–
Summer tyres	●	●	●	●

Interior

	G 63	G 63 MANUFAKTUR G 63 Carbon Edition	G 63 Magna Edition	G 63 Magna Edition
12V sockets in centre console, rear and load compartment	●	●	●	●
Active Multicontour Seat package Plus – SUPERIOR Line interior, dashboard in nappa leather	△	△	●	●
Ambient lighting – 64 colours	●	●	●	●
AMG floor mats with 'AMG' lettering	●	●	●	●
Automatically dimming rear-view mirror	●	●	●	●
Centre armrest between front seats with integrated stowage compartment	●	●	●	●
Cup holders – front (2) and rear (2)	●	●	●	●
Dashboard – leather	●	●	–	–
Dashboard – nappa leather	△	△	●	●
Electric windows (4)	●	●	●	●
ENERGIZING package Plus – for enhanced performance capability at the wheel and an extremely pleasant journey, this package combines the active multicontour seats with ENERGIZING comfort control. Your vehicle can revitalise and pamper you with 6 perfectly composed programs including massage function	△	△	●	●
Ionisation of interior air including fine-particle activated charcoal filter system	●	●	●	●
KEYLESS-GO starting function	●	●	●	●
Luggage compartment cover	●	●	●	●
MANUFAKTUR grab handles in leather	–	–	●	–
MANUFAKTUR package – see page 53 for details	–	–	●	–
Memory package – memory function for seats, head restraints, exterior mirrors and steering wheel	●	●	●	●
Partition net	●	●	●	●

[Book a test drive](#)[Find your G-Class](#)[Find a Showroom](#)

Standard equipment

● Standard ○ Optional △ Part of a package – Not available

Interior (continued)

	G 63	G 63 MANUFAKTUR Edition	G 63 Magna Edition	G 63 Carbon Edition
Seats – rear bench seats split-folding 1/3:2/3	●	●	●	●
Seats – heated and electrically adjustable (front)	●	●	●	●
Seats – heated (rear)	●	●	●	●
Seats – ventilated, multicontour seats (front)	△	△	●	●
Seat belts, 3-point design in black	●	●	●	●
Seat belt pre-tensioners (4)	●	●	●	●
Set of four illuminated stainless steel door sill panels	●	●	●	●
Stowage Space package – including removable double cup holder in centre console, bottle holders in door pockets, map pockets on back of front seats, and glasses compartment in overhead control panel	●	●	●	●
THERMOTRONIC automatic climate control with three climate zones and three climate styles: Medium, Diffuse and Focused	●	●	●	●

Steering

AMG Performance steering wheel in carbon fibre/DINAMICA microfibre 3-spoke design, with flattened bottom section, steering wheel trim in silver chrome with 'AMG' lettering and silver-coloured aluminium shift paddles, 12 o'clock marking and touch control buttons	–	●	–	●
AMG Performance steering wheel in nappa leather 3-spoke design, with flattened bottom section, steering wheel trim in silver chrome with 'AMG' lettering and silver-coloured aluminium shift paddles, 12 o'clock marking and touch control buttons	●	–	●	–
AMG steering wheel buttons	●	●	●	●
Heated steering wheel	●	●	●	●
Steering column – electrically adjustable, with automatic adjustment for entry/exit	●	●	●	●

Paint, Trim and Upholstery

	G 63	G 63 MANUFAKTUR Edition	G 63 Magna Edition	G 63 Carbon Edition
Paint – magno	○	○	○	●
Paint – MANUFAKTUR	–	–	●	–
Paint – metallic	●	●	–	–
Roof lining – DINAMICA roof liner in black	●	●	●	●
Trim – AMG carbon fibre	–	●	–	●
Trim – MANUFAKTUR black flamed open-pore ash wood	○	–	●	–
Trim – metal structure trim element	●	–	–	–
Upholstery – nappa leather in black	●	●	–	–
Upholstery – Exclusive nappa leather in black	△	△	●	●

Communications and In-Car Entertainment

AMG instrument cluster with dual bonded 12.3-inch widescreen displays	●	●	●	●
Bluetooth® interface for hands-free telephony	●	●	●	●
Communications module (LTE) for the use of Digital Extras ¹ – preparation for use of Digital Extras with particularly rapid and dependable data transfer	●	●	●	●
DAB digital radio tuner	●	●	●	●
Digital Extras (standard services) ¹ – emergency call system (eCall) ² , accident recovery, breakdown management and maintenance management	●	●	●	●
MBUX augmented reality navigation	●	●	●	●
MBUX multimedia system	●	●	●	●

¹The connection of the communication module to the mobile phone network including the emergency call system depends on the respective network coverage and availability of network providers

²Please be aware Mercedes-Benz emergency call system comes as standard for the first 10 years of the vehicle's lifecycle



Genuine accessories

We've developed a range of Accessories you can add to help personalise and enhance your G-Class.



Boot tub, flat

For everyday transport. There is a lot that needs to be transported in this day and age of mobility: The easy-clean boot tub is also suitable for liquids. The shape of the tub, with its slightly raised edge, is optimally tailored to the load area. Very robust – made from impact-resistant, non-split polypropylene. Odourless. The honeycomb structure prevents the load from slipping. Protected base. (A4658103402)



Basic carrier bars, three crossbars

Aluminium carrier bars, precision-tailored to the body of your Mercedes-Benz – the perfect basis for a range of transport accessories: ski and snowboard rack, bicycle rack or roof boxes. Fitted in next to no time without the use of tools, thanks to new, innovative quick-release fasteners. (A4638902900)



Roof spoiler

Unflinchingly individual: a roof spoiler from Mercedes-Benz sets your vehicle apart. It gives the rear a more compact, powerful, accentuated look. Head-turning bodystyling, and safe too: the roof spoiler does not affect the field of vision. Quality on top: the roof spoiler is highly durable, thanks to the use of precision-fit, dimensionally stable polyurethane. Also offers many other compelling selling points: for example it is simple to secure in place using special adhesive tape. Supplied primed – ideal for painting. Does not need to be entered in vehicle documents. (A4657930000)



Door handle recesses

An exclusive highlight: the refined, chrome-design door handle recesses lend the vehicle a polished, individual look. The stable, robust material is precision-tailored to the bodywork and protects the paintwork in the recess from scratches. (A4657201300)



AMG velour floor mats

Floor mats have to undergo rigorous testing before they are deemed worthy of the star logo: durability, fade-resistant colour and a neutral odour, even after three winters of use, are all specifications which must be met without compromise. The mats are precision-tailored to your Mercedes-Benz using the vehicle's original CAD data. Can be clip-fastened to the floor to prevent slipping. (A46568064019J74)

All the above accessories are subject to availability and compatibility. Please ask your Mercedes-Benz Authorised Repairer for more information

Design	Technology	EQ Technology	Model line	Model prices	Mercedes-AMG	Mercedes-AMG prices	Personalisation	Standard equipment	Genuine accessories	Technical data	Additional information
--------	------------	---------------	------------	--------------	--------------	---------------------	-----------------	--------------------	---------------------	----------------	------------------------

[Book a test drive](#)[Find your G-Class](#)[Find a Showroom](#)

Technical data

● Standard – Not available

Model	G450 d	G500	G580 with EQ Technology	Mercedes-AMG G 63
Engine				
Fuel delivery	Diesel	Petrol	–	Petrol
Total displacement	cc 2,989	2,999	–	3,982
Arrangement/cylinders/valves	in-line/6/24	in-line/6/24	–	V/8/32
Power ¹	hp (kW) at rpm			
Combustion engine	367 (270)/4,000	449 (330)/5,800–6,100	–	585 (430)/6,000
Mild hybrid drive	20 (15)	20 (15)	–	20 (15)
Electric motor	–	–	587 (432)/3,542–10,382	–
Torque ¹	Nm at rpm			
Combustion engine	750/1,350–2,800	560/2,200–5,000	–	850/2,500–3,500
Electric motor	–	–	1,164/–	–
Compression ratio	15.5:1	10.5:1	–	8.6:1
Equivalent All-Electric Range (EAER) ²	mi	–	283	–
Battery type (capacity)	kWh	–	Lithium-ion (116)	–
Range power consumption, combined ^{2,3}	Wh/km	–	289	–
Charging time				
DC charging station (200 kW DC) 10–80% ⁴	–	–	32 mins	–
Wallbox (11 kW AC), 0–100% ⁵	–	–	11 hrs 46 mins	–
On-board charger	kW	–	11 AC; 200 DC	–
Emissions standard	Euro 6e	Euro 6e	tbc	Euro 6e

¹Figures according to Directive 80/1269/EEC in the currently applicable version ²Figures shown are for comparability purposes; only compare with other cars tested to the same technical procedures. Figures may not reflect real life driving results, which will depend upon a number of factors including the starting charge of the battery, factory-fitted options, accessories fitted (post registration), variations in weather, driving styles and vehicle load. Further information about the test used to establish range, power consumption and CO₂ figures can be found at <http://www.mercedes-benz.co.uk/WLTP> ³Specified voltage and current values refer to network infrastructure and can be limited by the vehicle ⁴Specified voltage and current values refer to network infrastructure and can be limited by the vehicle. Times are from 10–80% charge using public rapid charging at 200 kW ⁵Specified voltage and current values refer to network infrastructure and can be limited by the vehicle. Times are from 0–100% charge using a wallbox (three-phase) or standard socket (single-phase)

[Book a test drive](#)[Find your G-Class](#)[Find a Showroom](#)

Technical data

Model	G 450 d	G 500	G 580 with EQ Technology	Mercedes-AMG G 63
Transmission				
9G-TRONIC automatic	●	●	–	–
Single-speed automatic	–	–	●	–
AMG SPEEDSHIFT PLUS 9G-TRONIC	–	–	–	●

Performance					
Acceleration 0–62 mph	sec	5.8	5.4	4.7	4.4
Top speed ⁶	mph	130	130	112	137

Weights and capacities					
Kerb weight ⁷	kg	2,728–2,734	2,665–2,671	3,218	2,753–2,775
Perm. Gross Vehicle Weight	kg	3,200	3,200	3,500	3,200
Boot capacity – seats up/seats down	l	640/2,010	640/2,010	620/1,990	640/2,010
Towing capacity – unbraked/braked	kg	750/3,500	750/3,500	–/–	750/3,500
Fuel tank capacity/of which reserve	l	100/12	100/12	–/–	100/12
Turning circle	m	13.6	13.6	13.6	13.43

Fuel consumption ^{8,9,10}					
Combined (consumption dependent on chosen optional equipment)	l/100 km	8.9	11.3	–	14.8
	mpg	31.7	25.0	–	19.1

Insurance					
Group rating		50P	50P	50P	50P

Insurance ratings may vary depending on model line and specification.

⁶Electronically limited ⁷Mass of the vehicle in running order with at least 90% full fuel tank, plus the mass of the driver (estimated by law at 75 kg), fuel and fluids, equipped with the standard equipment as specified by the manufacturer as well as, where applicable, the mass of the body, cab, trailer coupling and spare wheel(s) as well as tools. Optional extras, additional equipment and accessories can influence the weight, residual payload, rolling resistance, aerodynamics, etc., and therefore also affect the consumption/CO₂ values ⁸All figures are based on a standard specification with the smallest tyre size ⁹The choice of wheels and transmission may affect CO₂ emissions and corresponding Road Fund Licence ¹⁰The indicated values were determined according to the prescribed measurement method - Worldwide Harmonised Light Vehicle Test Procedure (WLTP). Figures shown may include options which are not available in the UK



Book a test drive

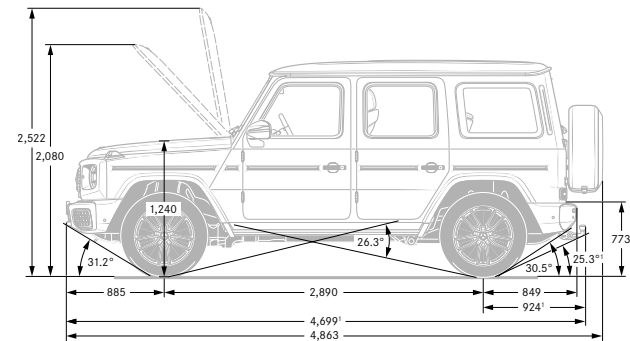
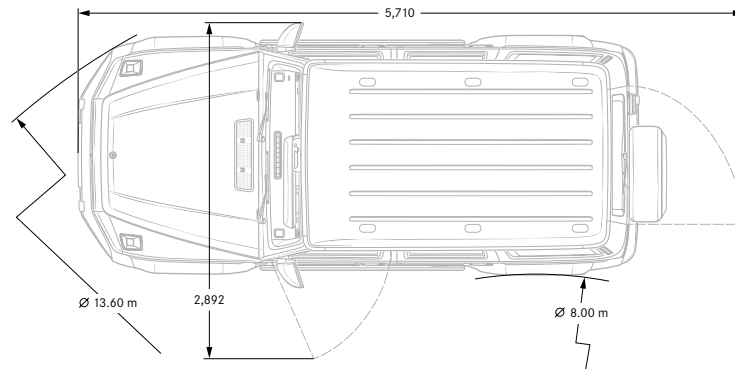
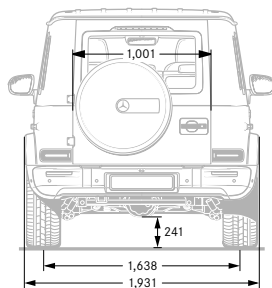
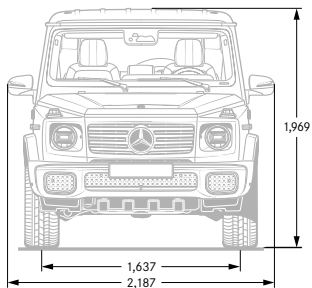


Find your G-Class

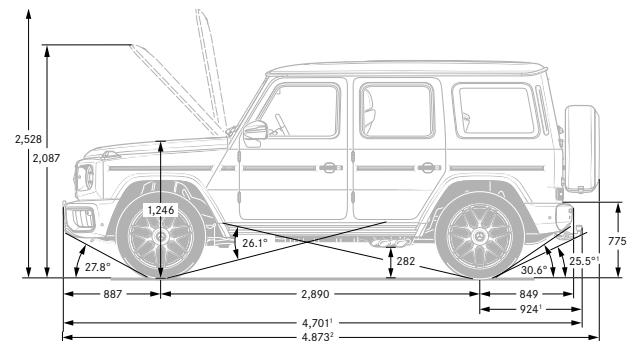
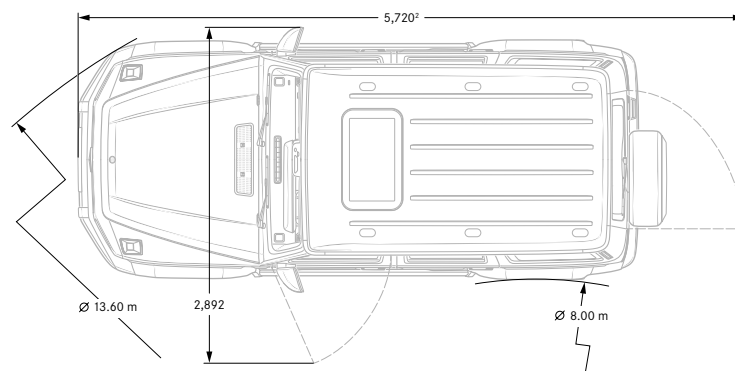
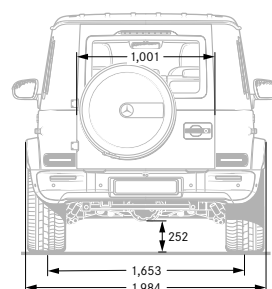
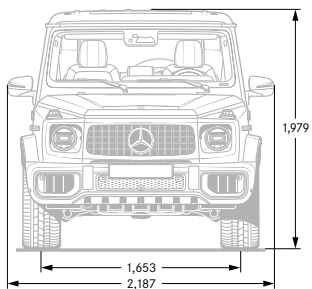


Find a Showroom

AMG Line Premium Plus



Mercedes-AMG G 63



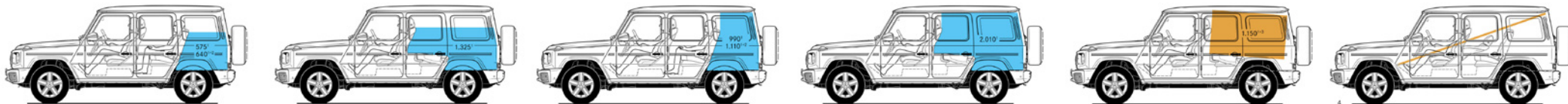
¹Incl. number-plate adapter (8 mm) ²Without number plate adapter (8 mm) ³Measured for an inclination of 14.4°

⁴With trailer tow hitch (optional equipment) All measurements in millimetres. The dimensions shown are mean values and apply to standard-specification, unladen vehicles

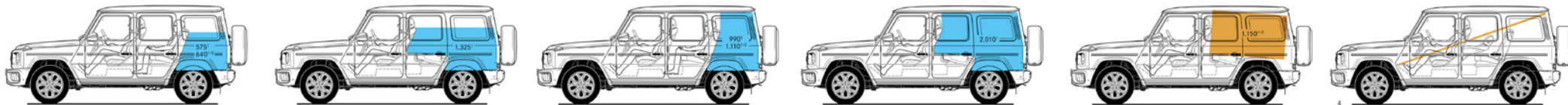
Design	Technology	EQ Technology	Model line	Model prices	Mercedes-AMG	Mercedes-AMG prices	Personalisation	Standard equipment	Genuine accessories	Technical data	Additional information
--------	------------	---------------	------------	--------------	--------------	---------------------	-----------------	--------------------	---------------------	----------------	------------------------



AMG Line Premium Plus – Boot capacity



Mercedes-AMG G 63 – Boot capacity



¹Volume in litres ²With backrest in cargo position ³Largest cuboid: dimensions 1,420 x 960 x 850 mm, volume 1,150 litres
All measurements in millimetres. The dimensions shown are mean values and apply to standard-specification, unladen vehicles

⁴Longest board: dimensions 2,700 x 400 x 30 mm

Luggage compartment capacity according to guideline ISO 3832:2002-06. Luggage compartment capacity may differ depending on optional extras

Design	Technology	EQ Technology	Model line	Model prices	Mercedes-AMG	Mercedes-AMG prices	Personalisation	Standard equipment	Genuine accessories	Technical data	Additional information
--------	------------	---------------	------------	--------------	--------------	---------------------	-----------------	--------------------	---------------------	----------------	------------------------



Road Fund Licence

All road vehicle registrations are subject to Vehicle Excise Duty (Road Fund Licence), which varies in accordance with the vehicle's CO₂ emissions. A first year rate for each taxation band will apply. The table below shows the bands (A–M) created by the DVLA and the corresponding Road Fund Licence. CO₂ emissions and the relevant Excise Duty are shown on the model pricing pages.

Band	CO ₂ emissions (g/km)	First year rate petrol and RDE2 diesel (£)	First year rate alternative fuel (£)	Electric vehicles		Alternative fuel vehicles		Petrol/diesel vehicles	
				Standard rate (£)	Premium rate (£) ¹	Standard rate (£)	Premium rate (£) ¹	Standard rate (£)	Premium rate (£) ¹
A	0	0.00	0.00	0.00	0.00	0.00	0.00	0.00	0.00
B	1 to 50	10.00	0.00	0.00	0.00	180.00	590.00	190.00	600.00
C	51 to 75	30.00	20.00	0.00	0.00	180.00	590.00	190.00	600.00
D	76 to 90	135.00	125.00	0.00	0.00	180.00	590.00	190.00	600.00
E	91 to 100	175.00	165.00	0.00	0.00	180.00	590.00	190.00	600.00
F	101 to 110	195.00	185.00	0.00	0.00	180.00	590.00	190.00	600.00
G	111 to 130	220.00	210.00	0.00	0.00	180.00	590.00	190.00	600.00
H	131 to 150	270.00	260.00	0.00	0.00	180.00	590.00	190.00	600.00
I	151 to 170	680.00	670.00	0.00	0.00	180.00	590.00	190.00	600.00
J	171 to 190	1,095.00	1,085.00	0.00	0.00	180.00	590.00	190.00	600.00
K	191 to 225	1,650.00	1,640.00	0.00	0.00	180.00	590.00	190.00	600.00
L	226 to 255	2,340.00	2,330.00	0.00	0.00	180.00	590.00	190.00	600.00
M	over 255	2,745.00	2,735.00	0.00	0.00	180.00	590.00	190.00	600.00



Some of the model features, optional extras and colours shown may not be available, or may only be available in a different specification
¹Premium rate only applicable to vehicles where the list price is over £40,000 including any factory-fitted options, standard UK delivery charge and VAT



Services and insurance

Mercedes-Benz Service Plans

We believe that servicing and repair costs should be as flexible and affordable as possible for your G-Class, which is why we offer a choice of Service Plans to make it easy to budget for all your servicing, MOT and repair costs. It spreads your bills into manageable monthly payments based on whether you have a new or used Mercedes-Benz.

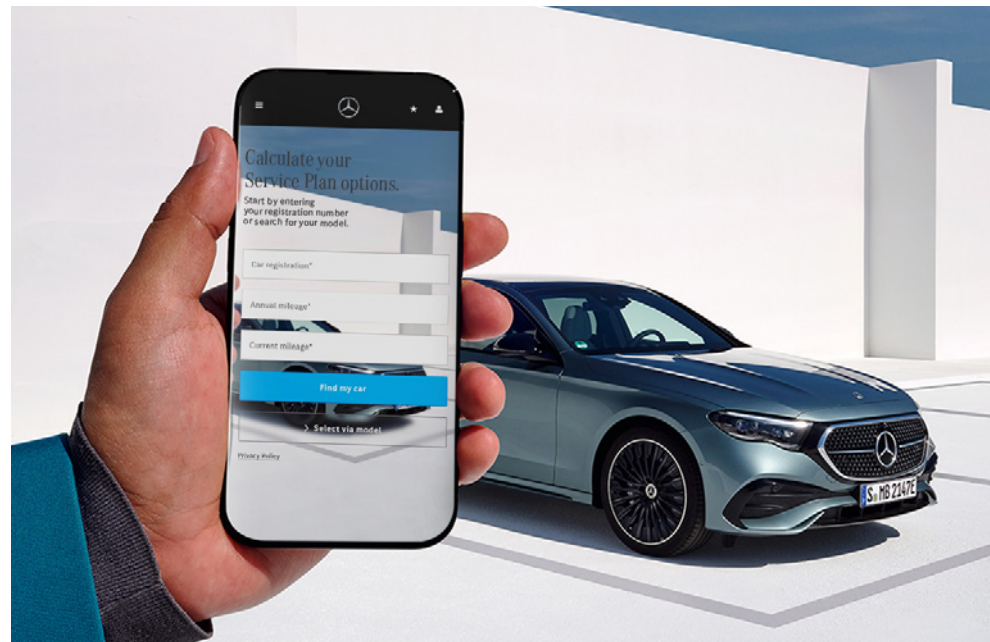
- **ServiceCare** – guarantees the price of parts and labour for up to four services and safeguards against any inflationary influences. It also covers your annual MOT fees depending on the age of your vehicle when you take your plan out.
- **CompleteCare** – our most comprehensive plan covering all your servicing, MOT, wear & tear needs as well as Extended Warranty once your vehicle turns four years old.
- **Extended Warranty** – protect yourself against sudden or unexpected repair costs after your initial warranty period has ended after three years. There are three policy options to choose from: 12-month, 24-month or a monthly pay-as-you-go option.

[Click here for more information](#)

Motor Insurance

We know that once you have chosen your Mercedes-Benz you can't wait to drive it – that's why we created First Cover¹. It gives you 7 days' free comprehensive Motor Insurance when you buy a new or used vehicle from a Mercedes-Benz Agent. We will also send you a quote for annual cover, so you can enjoy the same peace of mind all year round.

[Apply for First Cover](#)



Warranty and breakdown cover

Every Mercedes-Benz comes with a three-year unlimited mileage warranty against manufacturing or material defects² and up to 30 years warranty against perforation due to corrosion from the inside out.³ What's more, it's also covered by Mercedes-Benz Roadside Assistance – a unique package comprising up to 30 years pan-European breakdown assistance.³

¹Terms and Conditions apply. We are an independent intermediary dealing with selected insurers in respect of annual insurance

²Applies to vehicles sold by Mercedes-Benz in the UK to its franchised Mercedes-Benz Agents

³Subject to full Terms and Conditions, dependent on date of registration, available upon request



Effective from September 2024 Production. Information correct at time of publication 05.06.2024.

Prices and specifications are subject to change without prior notice.

MBW465PL/1024 MY X24

