



# The EQE SUV

Effective from July 2023 Production.

MERCEDES-EQ





Design	Technology	Safety	Mercedes-EQ	Model lines and upholstery	Model prices	Mercedes-AMG and upholstery	Mercedes-AMG prices	Personalisation	Standard equipment	Technical data	Additional information
--------	------------	--------	-------------	----------------------------	--------------	-----------------------------	---------------------	-----------------	--------------------	----------------	------------------------



Some of the model features, optional extras and colours shown may not be available, or may only be available in a different specification, or at a different price.

<a href="#">Design</a>	<a href="#">Technology</a>	<a href="#">Safety</a>	<a href="#">Mercedes-EQ</a>	<a href="#">Model lines and upholstery</a>	<a href="#">Model prices</a>	<a href="#">Mercedes-AMG and upholstery</a>	<a href="#">Mercedes-AMG prices</a>	<a href="#">Personalisation</a>	<a href="#">Standard equipment</a>	<a href="#">Technical data</a>	<a href="#">Additional information</a>
------------------------	----------------------------	------------------------	-----------------------------	--	------------------------------	---	-------------------------------------	---------------------------------	------------------------------------	--------------------------------	--



Some of the model features, optional extras and colours shown may not be available, or may only be available in a different specification, or at a different price.

<a href="#">Design</a>	<a href="#">Technology</a>	<a href="#">Safety</a>	<a href="#">Mercedes-EQ</a>	<a href="#">Model lines and upholstery</a>	<a href="#">Model prices</a>	<a href="#">Mercedes-AMG and upholstery</a>	<a href="#">Mercedes-AMG prices</a>	<a href="#">Personalisation</a>	<a href="#">Standard equipment</a>	<a href="#">Technical data</a>	<a href="#">Additional information</a>
------------------------	----------------------------	------------------------	-----------------------------	--	------------------------------	---	-------------------------------------	---------------------------------	------------------------------------	--------------------------------	--



<a href="#">Design</a>	<a href="#">Technology</a>	<a href="#">Safety</a>	<a href="#">Mercedes-EQ</a>	<a href="#">Model lines and upholstery</a>	<a href="#">Model prices</a>	<a href="#">Mercedes-AMG and upholstery</a>	<a href="#">Mercedes-AMG prices</a>	<a href="#">Personalisation</a>	<a href="#">Standard equipment</a>	<a href="#">Technical data</a>	<a href="#">Additional information</a>
------------------------	----------------------------	------------------------	-----------------------------	--	------------------------------	---	-------------------------------------	---------------------------------	------------------------------------	--------------------------------	--



Some of the model features, optional extras and colours shown may not be available, or may only be available in a different specification, or at a different price.

<a href="#">Design</a>	<a href="#">Technology</a>	<a href="#">Safety</a>	<a href="#">Mercedes-EQ</a>	<a href="#">Model lines and upholstery</a>	<a href="#">Model prices</a>	<a href="#">Mercedes-AMG and upholstery</a>	<a href="#">Mercedes-AMG prices</a>	<a href="#">Personalisation</a>	<a href="#">Standard equipment</a>	<a href="#">Technical data</a>	<a href="#">Additional information</a>
------------------------	----------------------------	------------------------	-----------------------------	--	------------------------------	---	-------------------------------------	---------------------------------	------------------------------------	--------------------------------	--



Some of the model features, optional extras and colours shown may not be available, or may only be available in a different specification, or at a different price.

Design	Technology	Safety	Mercedes-EQ	Model lines and upholstery	Model prices	Mercedes-AMG and upholstery	Mercedes-AMG prices	Personalisation	Standard equipment	Technical data	Additional information
--------	------------	--------	-------------	----------------------------	--------------	-----------------------------	---------------------	-----------------	--------------------	----------------	------------------------

**EQE SUV**

# Technology



<a href="#">Design</a>	<a href="#">Technology</a>	<a href="#">Safety</a>	<a href="#">Mercedes-EQ</a>	<a href="#">Model lines and upholstery</a>	<a href="#">Model prices</a>	<a href="#">Mercedes-AMG and upholstery</a>	<a href="#">Mercedes-AMG prices</a>	<a href="#">Personalisation</a>	<a href="#">Standard equipment</a>	<a href="#">Technical data</a>	<a href="#">Additional information</a>
------------------------	----------------------------	------------------------	-----------------------------	--	------------------------------	---	-------------------------------------	---------------------------------	------------------------------------	--------------------------------	--



# Mercedes me connect Stay connected any time, anywhere.

# Mercedes *me*

Mercedes me is a range of innovative online services designed to enhance your Mercedes-Benz experience. Accessible via mobile, tablet or PC, Mercedes me lets you enjoy the highest standards of care and support, in a way that integrates seamlessly with your busy lifestyle.

### Safety and Service – Mercedes me connect helps to keep you and your car safe

Check your car's washer fluid level, tyre pressure and battery level from your phone so you'll be ready for every journey.



### Live Traffic Information, Parked Vehicle Locator and much more with Mercedes me connect

Forgot where you've parked? Parked Vehicle Locator<sup>1</sup> will show you exactly where your car is as long as you're in a 1-mile radius of where you parked. Real-time traffic data and dynamic route with shorter journey times.

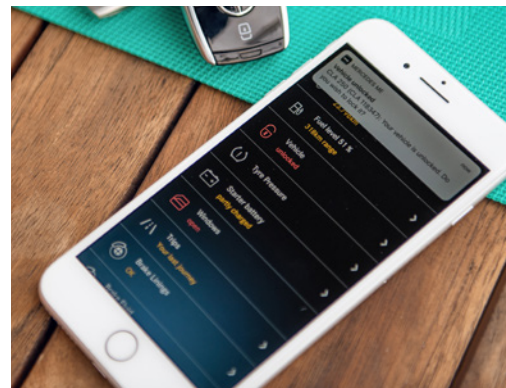
For more information speak to your local Mercedes-Benz Agent or visit the Mercedes me connect store at [shop.mercedes-benz.com/en-gb/connect](http://shop.mercedes-benz.com/en-gb/connect)

### Comfort – connect to your car anytime, anywhere

Forgot to lock your car? With Remote Car Lock<sup>2</sup> you will receive a notification on your smartphone to let you know. With one tap, you can lock and unlock your vehicle so you never have to worry.

### Mercedes-EQ specific services

Check your charging status on the go and programme your pre-entry climate control and charging settings remotely. The Mercedes-EQ specific navigation considers electrical range, topography and charging stations.



The connection of the communication module to the mobile phone network including the emergency call system depends on the respective network coverage and availability of network providers

<sup>1</sup>Available on all models with the Vehicle Monitoring package. This option may vary between standard and additional cost dependent on the model

<sup>2</sup>Part of the Vehicle Status package. This option may vary between standard and additional cost dependent on the model

Images shown are for illustration purposes only

Design	Technology	Safety	Mercedes-EQ	Model lines and upholstery	Model prices	Mercedes-AMG and upholstery	Mercedes-AMG prices	Personalisation	Standard equipment	Technical data	Additional information
--------	------------	--------	-------------	----------------------------	--------------	-----------------------------	---------------------	-----------------	--------------------	----------------	------------------------

# Mercedes-Benz User Experience (MBUX)

Transforming the in-car user experience, thanks to MBUX: Controlled via voice, touch or gesture (where fitted) input, the innovative infotainment system can over time even predict personal habits thanks to artificial intelligence.

## Voice control

- Activated by the keywords “Hey Mercedes”, the new intelligent voice control LINGUATRONIC<sup>1</sup> lets you control many of the infotainment functions, including destination input, phone calls or music selection
- MBUX is able to understand different accents and will adjust to you over time
- MBUX even understands indirect commands. Feeling chilly? Just say “I feel cold” and MBUX will adjust the temperature for you
- MBUX is able to understand which individual seat the request has come from, and will therefore only respond to their specific request (e.g. adjusting the temperature for just the front passenger)

## Touch inputs

- Beside voice control you can operate MBUX via touchscreen, the touch controls on the centre console, as well as touch control buttons on the steering wheel

## Personalisation

- Turn the new EQE SUV into your very own Mercedes-Benz by personalising driving modes, radio stations, ambient lighting and much more
- Your personal settings can be saved in up to seven different profiles, making your driving experience the best one possible
- Thanks to artificial intelligence, MBUX is able to learn and adapt over time. It will be able to predict your personal habits, such as navigation for frequently-driven routes, or the radio station you like to listen to on your way home from work

## Maintenance and service

- Wondering when the next service is due? Or how much further you can drive until you need to stop at a charging station? Just ask your MBUX – it will tell you the answer



MBUX multimedia system

The connection of the communication module to the mobile phone network including the emergency call system depends on the respective network coverage and availability of network providers

<sup>1</sup>LINGUATRONIC off-board functions are currently only available for three years

Design	Technology	Safety	Mercedes-EQ	Model lines and upholstery	Model prices	Mercedes-AMG and upholstery	Mercedes-AMG prices	Personalisation	Standard equipment	Technical data	Additional information
--------	------------	--------	-------------	----------------------------	--------------	-----------------------------	---------------------	-----------------	--------------------	----------------	------------------------



EQE SUV

# Safety

# DIGITAL LIGHT

High-definition headlamps with innovative features

● Standard    – Not available

The new innovative DIGITAL LIGHT headlamps works like a projector with more than one million pixels per headlamp and responds with brilliant light to changing traffic, road or weather conditions. Its ULTRA RANGE Highbeam with 650 m makes you feel like driving at daylight.

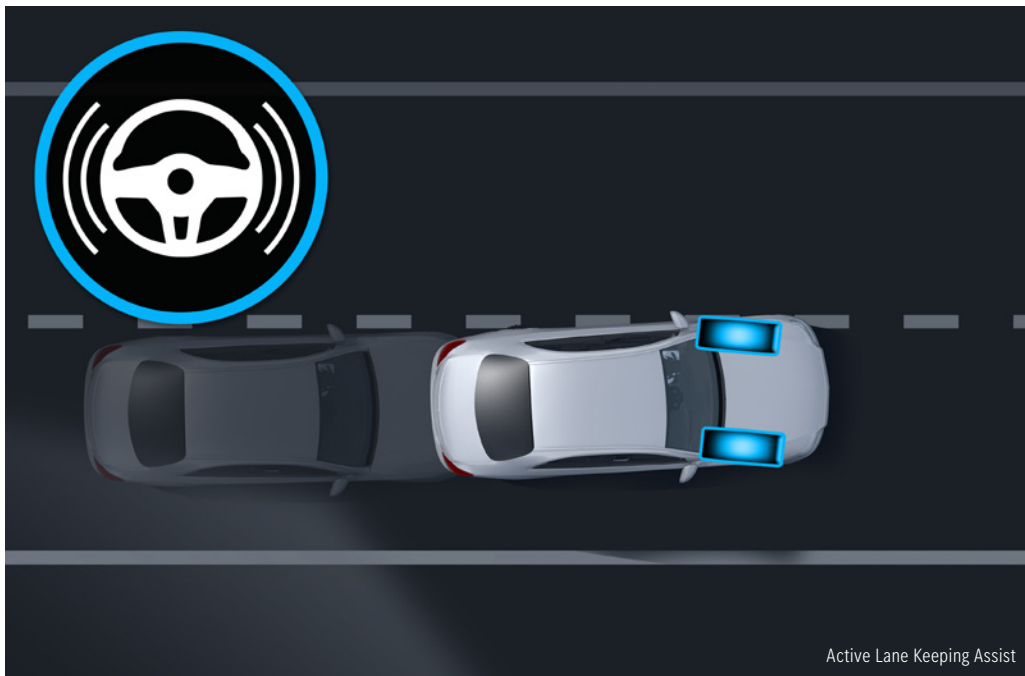
Model line	DIGITAL LIGHT	DIGITAL LIGHT with projection function
AMG Line	–	–
AMG Line Premium	●	–
AMG Line Premium Plus	–	●
Business Class	–	●
Mercedes-AMG Night Edition	–	●
Mercedes-AMG Touring	–	●



# Driving Assistance package Plus Cares for what matters.

The new EQE SUV comes with standard ground-breaking innovations in safety, comfort and driving functions, to help you stay safe on the road.

**Driving Assistance package Plus<sup>1</sup>** (code P20) – designed and priced as a package **Standard on all models except AMG Line**



Active Lane Keeping Assist

**Active Blind Spot Assist** expanded with blind spot monitoring towards the front and side. Additional hazard indication of the blind spot warning system as well as exit warning function

**Active Brake Assist with cross-traffic function** now with turning manoeuvre function (responding to (among other things) crossing pedestrians when making a turn). Operating range on urban routes expanded to 74 mph (previously 44 mph)

**Active Distance Assist DISTRONIC** now responds to stationary road users to prevent collisions up to 80 mph (previously 37 mph)

**Active Emergency Stop Assist:** now able to assist in manual mode (previously on in DISTRONIC mode). Optional lane change by one lane (at 49 mph where no obstacles detected)

**Active Evasive Steering Assist:** now responds to cyclists and ends of tailbacks in addition to pedestrians. Operating range on urban routes expanded to 67 mph (previously 44 mph)

**Active Lane Keeping Assist** with enhanced comfort thanks to active steering intervention (instead of braking intervention) and additional hazard indication

**Active Speed Limit Assist** ensures detected speed limits are automatically adopted as the set speed for Active Distance Assist DISTRONIC

**Active Traffic Sign Assist**

**Congestion emergency braking function**

**Emergency corridor function**

**Exit warning function when hand moves towards the door handles**

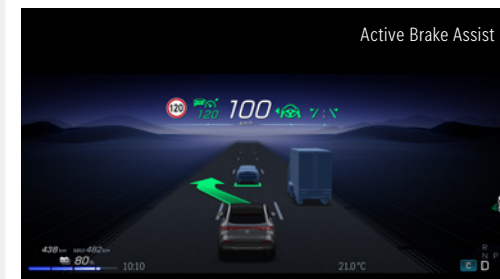
**Extended automatic restart on motorways**

**Hazard display via ambience lighting**

Increased availability and cornering performance on carriageways with **Active Steering Assist**, more stern warnings to put hands on the steering wheel with new capacitive steering wheel

**PRE-SAFE<sup>®</sup> PLUS and Impulse Side with body-raising function:** when a rear-end collision threatens, PRE-SAFE<sup>®</sup> PLUS can initiate preventive measures, including warning following traffic and locking the brakes on standstill

**Route-based speed adjustment with end of traffic jam function and Active Stop-and-Go Assist** adaption of speed before curves, roundabouts and junctions with end of traffic jam function



<sup>1</sup>Our driver assistance and safety systems are aids and do not relieve you of your responsibility as the driver. Please take note of the information in the Owner's Manual and the system limits which are described therein

Design	Technology	Safety	Mercedes-EQ	Model lines and upholstery	Model prices	Mercedes-AMG and upholstery	Mercedes-AMG prices	Personalisation	Standard equipment	Technical data	Additional information
--------	------------	--------	-------------	----------------------------	--------------	-----------------------------	---------------------	-----------------	--------------------	----------------	------------------------

EQE SUV

# Mercedes-EQ



<a href="#">Design</a>	<a href="#">Technology</a>	<a href="#">Safety</a>	<a href="#">Mercedes-EQ</a>	<a href="#">Model lines and upholstery</a>	<a href="#">Model prices</a>	<a href="#">Mercedes-AMG and upholstery</a>	<a href="#">Mercedes-AMG prices</a>	<a href="#">Personalisation</a>	<a href="#">Standard equipment</a>	<a href="#">Technical data</a>	<a href="#">Additional information</a>
------------------------	----------------------------	------------------------	-----------------------------	--	------------------------------	---	-------------------------------------	---------------------------------	------------------------------------	--------------------------------	--

# EQE SUV

MERCEDES-EQ

Vehement power immediately from standstill: An electric motor at the rear axle converts electrical into mechanical energy, and delivers impressive forward thrust. The intelligent operating strategy of the powertrain components supplies the power always wherever it is needed at the moment – efficiently and nearly silently.

## EQE 350 4MATIC

Battery electric vehicle, 292 hp/215 kW  
Electric range: up to 334 miles – WLTP

OTR from **£90,560<sup>1</sup>**

## EQE 500 4MATIC

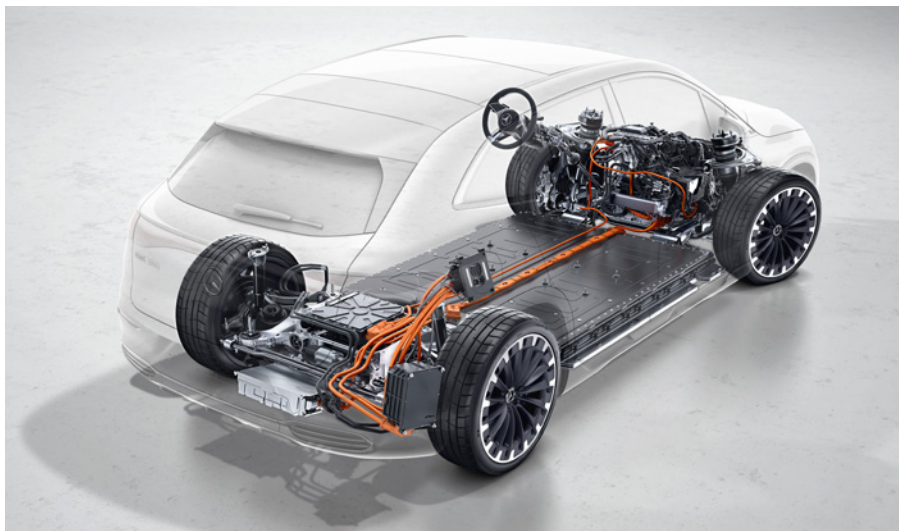
Battery electric vehicle, 408 hp/300 kW  
Electric range: up to 324 miles – WLTP

OTR from **£108,760<sup>1</sup>**

## Mercedes-AMG EQE 53 4MATIC+

Battery electric vehicle, 617 hp/406 kW  
Electric range: up to 305 miles – WLTP

OTR from **£133,860<sup>1</sup>**



### Standard equipment

AC charging system rated at 11 kW AC for AMG Line	Charging cable for wallbox and public charging stations, Type 2 (Mode 3) – 5 metres	DC charging system rated at 170 kW DC
AC charging system rated at 22 kW AC for all model lines except AMG Line	Charging socket	Pre-entry climate control <sup>2</sup>
	Comfort suspension	Radar-based recuperation

### Technical details

Electric range <sup>3</sup>	302–334 miles
Charging time	
Public Rapid charger (170 kW DC) 10–80% <sup>4</sup>	31–32 mins
Wallbox (22 kW AC) 10–100% <sup>5</sup>	5 hrs
Wallbox (11 kW AC) 10–100% <sup>5</sup>	10 hrs
Home Wallbox (7.4 kW AC) <sup>5</sup>	14 hrs
Range power consumption, combined <sup>3,6</sup>	224–189 Wh/km
Battery type (capacity)	lithium-ion (89–91 kWh)
Capacity on-board charger	11/22 kW AC; 170 kW DC

### Attention

- Please be aware that external factors such as weather, gradient and ambient temperature amongst others can significantly impact range.
- Please also note that internal factors such as driving style and climate control settings etc. can also significantly impact range.
- Using the pre-entry climate control<sup>2</sup> when plugged into a charge point will ensure the perfect ambience and ensure that your car is just how you like it, as well as making sure that your battery isn't used unnecessarily to heat/cool the vehicle (maximising range).

<sup>1</sup>The recommended on-the-road price includes the Road Fund Licence applicable to the standard model plus delivery charge (£780.00 incl. VAT), new vehicle registration fee (£55.00) and number plates (£25.00 incl. VAT). VAT is calculated at the standard rate of 20%. Some of the model features, optional extras and colours shown may not be available, or may only be available in a different specification, or at a different price. <sup>2</sup>The connection of the communication module to the mobile phone network including the emergency call system depends on the respective network coverage and availability of network providers. <sup>3</sup>Figures shown are for comparability purposes; only compare with other cars tested to the same technical procedures. Figures may not reflect real life driving results, which will depend upon a number of factors including the starting charge of the battery, factory-fitted options, accessories fitted (post registration), variations in weather, driving styles and vehicle load. Further information about the test used to establish range, power consumption and CO<sub>2</sub> figures can be found at <http://www.mercedes-benz.co.uk/WLTP>. <sup>4</sup>Specified voltage and current values refer to network infrastructure and can be limited by the vehicle. Times are from 10–80% charge using public rapid charging at 200 kW. <sup>5</sup>Specified voltage and current values refer to network infrastructure and can be limited by the vehicle. Times are from 10–100% charge using a wallbox (three-phase) or standard socket (single-phase). <sup>6</sup>Specified voltage and current values refer to network infrastructure and can be limited by the vehicle.

# Mercedes me Charge<sup>1</sup> Features.



Mercedes me Charge<sup>1</sup> provides access to a multitude of public charging stations located in shopping centres, hotels or at motorway services. A smartphone app as well as the vehicle's navigation system show the precise location, current availability and price at the selected charging station.

**Tens of thousands charging stations in the UK**  
 Growing network of charging providers includes bp pulse the largest charging network in the UK. Customers also get six months free bp pulse membership which reduces the electricity price when charging.



**Access to fast-charging stations**  
 Enables customers to get access to charging stations of different providers with:

- Mercedes me app
- RFID card
- Mercedes-EQ Vehicle Head unit

**Charging with IONITY**  
 Discounted IONITY rapid-charging for one year at all IONITY stations.

**Green charging**  
 All charging using Mercedes me Charge<sup>1</sup>, will be retrospectively 'greened' by Mercedes-Benz. Please click [here](#) for more info.

**Transparent and easy billing**  
 One invoice charging processes for payment.

**Easy access**  
 Charging stations are displayed in Mercedes me app and in MBUX multimedia system.

**No fees**  
 Mercedes me Charge<sup>1</sup> is standard with EQE.

**Charging settings and pre-entry climate control<sup>1</sup>**  
 Enjoy your feel-good temperature when you enter your vehicle. You can simply preheat or precool the interior by setting the temperature via the Mercedes me app. In addition, the current charge status can be retrieved at any time using the Mercedes me app.

**Navigation with Electric Intelligence**  
 Offering you the greatest possible planning security on the road. Many items of information, such as a fast and convenient route, current state of battery charge, weather data and charging infrastructure, are interlinked. A convenient and time-efficient route is then suggested to you, including charging stops if necessary.



<sup>1</sup>The connection of the communication module to the mobile phone network including the emergency call system depends on the respective network coverage and availability of network providers



# Mercedes me Charge<sup>1</sup> Tariffs



For more transparency and predictability, enjoy numerous features tailored to your charging habits with the new Mercedes me Charge<sup>1</sup> fixed-priced tariffs S, M and L. Owners of a new Mercedes-EQ model will be entitled to the Mercedes me Charge<sup>1</sup> tariff L free of charge for the duration of 12 months.

## Tariff L

Recommended for 'frequent drivers'

Choose our tariff L to benefit from the best fixed prices for public charging, including discounted rapid-charging at IONITY charging stations as well as all Mercedes me Charge<sup>1</sup> features. This tariff is recommended for frequent and long-distance drivers.

Consisting of:

- All Mercedes me Charge<sup>1</sup> features
- Fixed prices per kWh (AC: £0.45/kWh; DC: £0.53/kWh)<sup>2</sup>
- IONITY rapid-charging stations discounted (£0.53/kWh)

**Free of charge for the duration of 12 months.**

**Thereafter:**

**£10.90/month**

## Tariff M

Recommended for 'regular drivers'

Should you wish to downgrade your tariff package after 12 months but still want to benefit from fixed prices, discounted rapid-charging at IONITY charging stations and complete transparency, choose tariff M. This tariff is recommended for regular drivers.

Consisting of:

- All Mercedes me Charge<sup>1</sup> features
- Fixed prices per kWh (AC: £0.52/kWh; DC: £0.61/kWh)<sup>2</sup>
- IONITY rapid-charging stations discounted (£0.61/kWh)

**£4.90/month**

## Tariff S

Recommended for 'casual drivers'

Should you wish to downgrade your tariff package after 12 months, there is the option to go for tariff S, which still offers you all the Mercedes me Charge<sup>1</sup> features based on flexible prices per kWh. This tariff is recommended for casual drivers.

Consisting of:

- All Mercedes me Charge<sup>1</sup> features
- Flexible prices per kWh

**£0/month**



<sup>1</sup>The connection of the communication module to the mobile phone network including the emergency call system depends on the respective network coverage and availability of network providers  
page: <https://eu.charge.mercedes.me/web/en/daimler-gb/tariffs>

<sup>2</sup>Tariff rate excludes the BP Pulse charging network

Price information is not guaranteed and is subject to change. Definitive price information can be found on the Digital Charging Solutions

Design	Technology	Safety	Mercedes-EQ	Model lines and upholstery	Model prices	Mercedes-AMG and upholstery	Mercedes-AMG prices	Personalisation	Standard equipment	Technical data	Additional information
--------	------------	--------	-------------	----------------------------	--------------	-----------------------------	---------------------	-----------------	--------------------	----------------	------------------------

# Next generation of home EV charging with Ohme

Mercedes-Benz plug-in vehicle customers with off-street parking can benefit from the convenience and speed of charging at home by installing an Ohme charger.

## Home charging with Ohme: from £925\* incl. VAT and standard installation

### Key benefits of Ohme:

Ohme specialise in providing future-proof electric vehicle charging solutions, in particular smart, affordable and easy-to-use charging products.

Save money: If you have a time-of-use tariff or a variable tariff, you'll pay less for your electricity at certain times of the day. Ohme uses your tariff information to charge your vehicle when the price is low to maximise your savings.

Ohme is the only EV charging provider to integrate with all energy tariffs, including Intelligent Octopus and OVO Charge Anytime – the next generation, smart EV charging tariffs.

Easy installation process.

Choice of tethered or untethered units.

Award-winning customer service – check Trustpilot for more information.

A 3-year warranty is included.

Connect your charger to the Ohme smartphone app to unlock smarter and cheaper charging at home. Easy-to-use, the Ohme app will give you full control to get more from your EV.

Ohme's chargers are compliant with the UK New Smart Charger Regulations for complete peace of mind.

### OZEV Grant:

You may be entitled to claim for an OZEV grant towards the cost of your home charger!  
To find out whether you are entitled please contact your local Mercedes-Benz Agent.

### Questions?

Please contact your local Mercedes-Benz Agent to submit an enquiry to your chosen charging partner on your behalf. To find your local Mercedes-Benz Agent, please click the button at the top right hand corner.

### Warning!

If you are planning to charge your Mercedes-Benz plug-in electric vehicle using a 3-pin domestic plug socket you must get a qualified electrician to inspect and sign off the socket to confirm it is safe and suitable to charge your vehicle. Do not use an electric vehicle 3-pin charge cable with an extension cord.



\*Price excludes £350 OZEV EVHS Grant. Price correct at time of publication, subject to change  
 †The home charger £350 Grant (including VAT) is only available to customers who meet the criteria of the Office for Zero Emission Vehicles (OZEV). For full details and eligibility criteria for the OZEV EVHS Grant, see <https://www.gov.uk/government/publications/electric-vehicle-homecharge-scheme-guidance-for-customers-version-21>.

# Home charging with Pod Point Simple, convenient, fast charging.

Mercedes-Benz plug-in vehicle customers with off-street parking can benefit from the convenience and speed of charging at home by installing a Pod Point home charger.

## Home charging with Pod Point: from £925\* incl. VAT and standard installation

For full terms and conditions please visit <https://pod-point.com/legal/home-charger-terms-of-sale>

### Key benefits of Pod Point:

Pod Point is one of the leading provider of EV charging in the UK with over 200,000 home chargepoints installed.

A comprehensive 3 year 'swap out' warranty is included.

Auto Power Balancing lets you adjust your charge so that your electrical supply doesn't get overloaded when your home is using a lot of energy.

Built-in earthing protection removes the needs for expensive earth rods.

Choice of tethered or untethered units; £925 for a 7 kW universal, and £975 for 7 kW tethered

The Pod Point public network consists of over 9,200 charging bays across the UK.

5 year warranty as standard, free of charge

The standard installation package includes up to 15m of external cabling.

Utilise charge scheduling in conjunction with an off-peak EV tariff to reduce your charging costs by 70% compared with the current Energy Price Cap.<sup>1</sup>

### OZEV Grant:

You may be entitled to claim for an OZEV grant towards the cost of your home charger<sup>2</sup>

To find out whether you are entitled please contact your local Mercedes-Benz Agent.

### Questions?

Please contact your local Mercedes-Benz Agent to submit an enquiry to your chosen charging partner on your behalf. To find your local Mercedes-Benz Agent, please click the button at the top right hand corner.

### Warning!

If you are planning to charge your Mercedes-Benz plug-in electric vehicle using a 3-pin domestic plug socket you must get a qualified electrician to inspect and sign off the socket to confirm it is safe and suitable to charge your vehicle. Do not use an electric vehicle 3-pin charge cable with an extension cord.



<sup>1</sup>Price excludes £350 OZEV EVHS Grant. Price correct at time of publication, subject to change <sup>2</sup>Based on an off-peak tariff of 8 p/kWh compared with the energy price cap as of 1 October 2023 of 26.92 p/kWh <sup>3</sup>The home charger £350 Grant (including VAT) is only available to customers who meet the criteria of the Office for Zero Emission Vehicles (OZEV). For full details and eligibility criteria for the OZEV EVHS Grant, see <https://www.gov.uk/government/publications/electric-vehicle-homecharge-scheme-guidance-for-customers-version-21>.

# EQE SUV Model lines overview



**AMG Line »**



**AMG Line Premium »**



**AMG Line Premium Plus»**



**Business Class »**

Design	Technology	Safety	Mercedes-EQ	Model lines and upholstery	Model prices	Mercedes-AMG and upholstery	Mercedes-AMG prices	Personalisation	Standard equipment	Technical data	Additional information
--------	------------	--------	-------------	----------------------------	--------------	-----------------------------	---------------------	-----------------	--------------------	----------------	------------------------

# EQE SUV AMG Line



No-cost option shown: high-tech silver metallic (code 922)

## An unparalleled combination of style, comfort, and performance.

With a strong standard specification, both inside and outside, the EQE SUV AMG Line is designed to impress. The AMG bodystyling exudes a sporty and powerful presence, while the 20" AMG 5-twin spoke wheels and the LED headlamps with Adaptive Highbeam Assist provide a sleek and stylish look. Step inside and experience the ultimate in comfort.

The sports steering wheel in nappa leather and sports seats with climatized front seats offer a level of sophistication and refinement. The 12.3-inch digital instrument display and the 12.8-inch media display provide you with all the information you need.

**EQE AMG Line**

**OTR from £90,560<sup>1</sup>**

<sup>1</sup>The recommended on-the-road price includes the Road Fund Licence applicable to the standard model plus delivery charge (£780.00 incl. VAT), new vehicle registration fee (£55.00) and number plates (£25.00 incl. VAT). VAT is calculated at the standard rate of 20%. Some of the model features, optional extras and colours shown may not be available, or may only be available in a different specification, or at a different price

Design	Technology	Safety	Mercedes-EQ	Model lines and upholstery	Model prices	Mercedes-AMG and upholstery	Mercedes-AMG prices	Personalisation	Standard equipment	Technical data	Additional information
--------	------------	--------	-------------	----------------------------	--------------	-----------------------------	---------------------	-----------------	--------------------	----------------	------------------------

# EQE SUV AMG Line Standard equipment highlights



No-cost option shown: high-tech silver metallic (code 922)



No-cost option shown: high-tech silver metallic (code 922)

**Exterior**

- 20" AMG alloy wheels – 5-twin-spoke design, aerodynamically optimised, painted vanadium silver with aero elements in matt tantalite grey (code RRT)
- AIRMATIC air suspension with adaptive damping system
- Aluminium-look, illuminated running boards with rubber studs
- AMG bodystyling

- EASY-PACK powered tailgate
- Heat-insulating dark-tinted glass
- Heated windscreen washer system
- LED headlamps with Adaptive Highbeam Assist
- Summer tyres





### Communications, Safety and Assistance Systems

- 12.3-inch digital instrument display
- 12.8-inch media display
- Active Parking Assist<sup>1</sup> with PARKTRONIC and reversing camera
- Advanced sound system
- Smartphone integration<sup>2</sup> including Apple CarPlay® and Android Auto™
- Transparent bonnet
- Wireless charging<sup>1</sup> in the front centre console

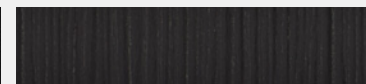
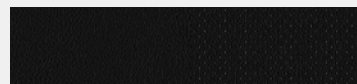


### Interior

- |  |   |
|--|---|
| Ambient lighting – with projection of brand logo | Illuminated door sills with ‘Mercedes-Benz’ lettering |
| Automatically dimming rear view mirror           | Memory package  |
| Climatised front seats                           | Multifunction sports steering wheel in nappa leather  |
| ENERGIZING AIR CONTROL Plus                      | Sports seats  |
| KEYLESS-GO Comfort Package                       | THERMATIC 3-zone automatic climate control            |

### Trim and Upholstery

- |                            |   |
|----------------------------|---|
| Leather – black/space grey | Centre console in black fine-structure look and anthracite linestructure lime wood trim |
|----------------------------|---|



<sup>1</sup>Our driver assistance and safety systems are aids and do not relieve you of your responsibility as the driver. Please take note of the information in the Owner’s Manual and the system limits which are described therein <sup>2</sup>Compatible mobile phone required

# EQE SUV AMG Line Premium



Option shown: MANUFAKTUR diamond bright white metallic (code 799)

## Take your EQE to the next level.

Elevating the specification further, the AMG Line Premium benefits of additional features, such as 21" AMG 5-spoke-design wheels, DIGITAL LIGHT headlamps, a panoamic sliding sunroof and the Driving Assistance package Plus. Designed around

sensory excellence, the interior features Active Ambient lighting and Burmester® surround sound system with sound personalisation.

**EQE SUV AMG Line Premium**  
**Upgrade price from EQE SUV AMG Line**

**OTR from £99,260<sup>1</sup>**  
**£8,700**

<sup>1</sup>The recommended on-the-road price includes the Road Fund Licence applicable to the standard model plus delivery charge (£780.00 incl. VAT), new vehicle registration fee (£55.00) and number plates (£25.00 incl. VAT). VAT is calculated at the standard rate of 20%. Some of the model features, optional extras and colours shown may not be available, or may only be available in a different specification, or at a different price

Design	Technology	Safety	Mercedes-EQ	Model lines and upholstery	Model prices	Mercedes-AMG and upholstery	Mercedes-AMG prices	Personalisation	Standard equipment	Technical data	Additional information
--------	------------	--------	-------------	----------------------------	--------------	-----------------------------	---------------------	-----------------	--------------------	----------------	------------------------



# EQE SUV AMG Line Premium Standard equipment highlights



Option shown: MANUFAKTUR diamond bright white metallic (code 799)

In addition to/replacement of AMG Line:

**Exterior**

21" AMG alloy wheels – multi-spoke design, aerodynamically optimised, painted high-gloss black with a high-shine finish (code RWX)

Headlamps – DIGITAL LIGHT

Panoramic sliding sunroof

Summer tyres



Design	Technology	Safety	Mercedes-EQ	Model lines and upholstery	Model prices	Mercedes-AMG and upholstery	Mercedes-AMG prices	Personalisation	Standard equipment	Technical data	Additional information
--------	------------	--------	-------------	----------------------------	--------------	-----------------------------	---------------------	-----------------	--------------------	----------------	------------------------



**Interior**

Active Ambient lighting

**Communications, Safety and Assistance Systems**

Burmester® surround sound system with sound personalisation

Dashcam

Driving Assistance package Plus<sup>1</sup>

GUARD 360° vehicle protection Plus<sup>2</sup>

INTELLIGENT PARKING PILOT with Remote Parking Assist

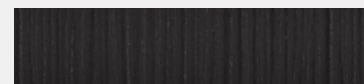
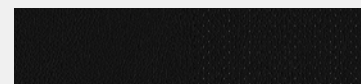
MBUX augmented reality for navigation



**Trim and Upholstery**

Leather - black/space grey

Centre console in black fine-structure look and anthracite linestructure lime wood trim



<sup>1</sup>Our driver assistance and safety systems are aids and do not relieve you of your responsibility as the driver. Please take note of the information in the Owner's Manual and the system limits which are described therein of network providers

<sup>2</sup>The connection of the communication module to the mobile phone network including the emergency call system depends on the respective network coverage and availability

# EQE SUV AMG Line Premium Plus



Obsidian black shown (standard)

## Boosting the spec further.

The AMG Line Premium Plus elevates the EQE driving experience with its focus on comfort and convenience. The 22" multi-spoke AMG alloy wheels add to the sporty appearance, along with the DIGITAL LIGHT headlamps with projection function and the Surround Lighting with the animated projection of the Mercedes-Benz pattern.

The MBUX Interior Assistant, head-up display, and the Hyperscreen come as standard, providing advanced technology and a user-friendly interface.

**EQE SUV AMG Line Premium Plus**  
**Upgrade price from EQE SUV AMG Line Premium**

**OTR from £112,260<sup>1</sup>**  
**£13,000**

<sup>1</sup>The recommended on-the-road price includes the Road Fund Licence applicable to the standard model plus delivery charge (£780.00 incl. VAT), new vehicle registration fee (£55.00) and number plates (£25.00 incl. VAT). VAT is calculated at the standard rate of 20%. Some of the model features, optional extras and colours shown may not be available, or may only be available in a different specification, or at a different price

Design	Technology	Safety	Mercedes-EQ	Model lines and upholstery	Model prices	Mercedes-AMG and upholstery	Mercedes-AMG prices	Personalisation	Standard equipment	Technical data	Additional information
--------	------------	--------	-------------	----------------------------	--------------	-----------------------------	---------------------	-----------------	--------------------	----------------	------------------------

# EQE SUV AMG Line Premium Plus Standard equipment highlights



Obsidian black shown (standard)



Obsidian black shown (standard)

In addition to/replacement of AMG Line Premium:

**Exterior**

22" AMG alloy wheels – multi-spoke design, aerodynamically optimised, painted high-gloss black with a high-sheen finish (code RPE)

DIGITAL LIGHT with projection function

Heat-insulating, noise-insulating and infrared-reflecting laminated glass

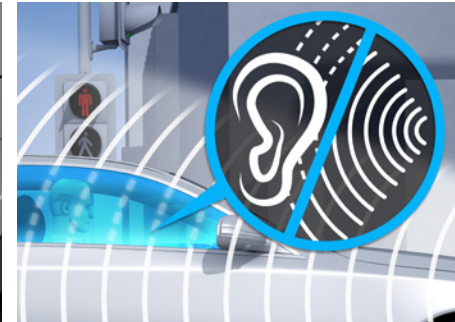
Steering – 10° rear axle steering

Summer tyres

Surround Lighting with animated projection of the Mercedes-Benz pattern



Design	Technology	Safety	Mercedes-EQ	Model lines and upholstery	Model prices	Mercedes-AMG and upholstery	Mercedes-AMG prices	Personalisation	Standard equipment	Technical data	Additional information
--------	------------	--------	-------------	----------------------------	--------------	-----------------------------	---------------------	-----------------	--------------------	----------------	------------------------



### Interior

Acoustic Comfort package

### Communications, Safety and Assistance Systems

Head-up display

Hyperscreen

MBUX Interior Assistant (front)

### Trim and Upholstery

Leather - black/space grey

Centre console in anthracite linestructure  
lime wood trim



# EQE SUV Business Class



No-cost option shown: sodalite blue metallic (code 842)

## The ultimate choice for those seeking luxury and sophistication.

The refined character of the EQE SUV Business Class is emphasized by the high-gloss black painted 21" AMG alloy wheels in a 5-triple-spoke design, and the Business Class exterior and interior styling. The package also includes comfort seats with luxury head

restraints in the front and a heated steering wheel. The Business Class truly elevates your driving experience

**EQE SUV Business Class**  
**Upgrade price from EQE SUV AMG Line Premium**

**OTR from £112,260<sup>1</sup>**  
**£13,000**

<sup>1</sup>The recommended on-the-road price includes the Road Fund Licence applicable to the standard model plus delivery charge (£780.00 incl. VAT), new vehicle registration fee (£55.00) and number plates (£25.00 incl. VAT). VAT is calculated at the standard rate of 20%. Some of the model features, optional extras and colours shown may not be available, or may only be available in a different specification, or at a different price

Design	Technology	Safety	Mercedes-EQ	Model lines and upholstery	Model prices	Mercedes-AMG and upholstery	Mercedes-AMG prices	Personalisation	Standard equipment	Technical data	Additional information
--------	------------	--------	-------------	----------------------------	--------------	-----------------------------	---------------------	-----------------	--------------------	----------------	------------------------

# EQE SUV Business Class Standard equipment highlights



No-cost option shown: sodalite blue metallic (code 842)



No-cost option shown: sodalite blue metallic (code 842)



No-cost option shown: sodalite blue metallic (code 842)

In addition to/replacement of AMG Line Premium Plus:

**Exterior**

21" AMG alloy wheels – 5-triple-spoke design, aerodynamically optimised, painted high-gloss black with a high-sheen finish (code 19R)

Business Class bodystyling

Summer tyres



Design	Technology	Safety	Mercedes-EQ	Model lines and upholstery	Model prices	Mercedes-AMG and upholstery	Mercedes-AMG prices	Personalisation	Standard equipment	Technical data	Additional information
--------	------------	--------	-------------	----------------------------	--------------	-----------------------------	---------------------	-----------------	--------------------	----------------	------------------------



No cost-option shown: balao brown/black nappa leather (code 804A)



**Interior**

AIR-BALANCE package

ENERGIZING package Plus

Seats – comfort seats

Seats – luxury head restraints in the front

Seats – multi-contour front

Steering wheel – heated

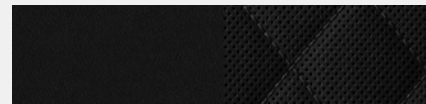
Velour floor mats

**Communications**

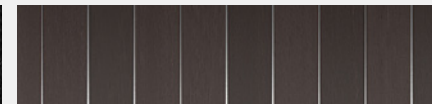
TV tuner

**Trim and Upholstery**

Nappa leather – black/space grey



Centre console in open-pore ship deck maple wood





# Upholstery

● Standard   □ No-cost option   – Not available



**231A Leather<sup>1</sup> – black/space grey**

AMG Line	●
AMG Line Premium	●
AMG Line Premium Plus	●
Business Class	–



**249A Leather<sup>1</sup> – neva grey/biscay blue**

AMG Line	□
AMG Line Premium	□
AMG Line Premium Plus	□
Business Class	–



**801A Nappa leather<sup>2</sup> – black/space grey**

AMG Line	–
AMG Line Premium	–
AMG Line Premium Plus	–
Business Class	●

<sup>1</sup>At least 80% of the seat upholstery is pure leather, while up to 20% may consist of man-made leather

<sup>2</sup>100% of seat upholstery is pure leather

# Upholstery

● Standard   □ No-cost option   – Not available



**804A Nappa leather<sup>1</sup> – balao brown/black**

AMG Line	–
AMG Line Premium	–
AMG Line Premium Plus	–
Business Class	□



**814A Nappa leather<sup>1</sup> – balao brown/neva grey**

AMG Line	–
AMG Line Premium	–
AMG Line Premium Plus	–
Business Class	□



**821A Nappa leather<sup>1</sup> – black/biscay blue**

AMG Line	–
AMG Line Premium	–
AMG Line Premium Plus	–
Business Class	□

<sup>1</sup>100% of seat upholstery is pure leather

# Model prices

Model line	Powertrain	CO <sub>2</sub> WLTP <sup>1,*</sup>	Basic RRP excl. VAT (£)	Total RRP incl. VAT (£)	Road Fund Licence (£) <sup>2</sup> WLTP	Rec. OTR price (£) <sup>3</sup> WLTP	P11D value (£)	BiK tax rate 2023/24 (%) <sup>2</sup>
<b>AMG Line</b>								
EQE 350 4MATIC SUV	Battery electric vehicle, 292 hp/215 kW Electric range up to 334 miles - WLTP <sup>1</sup>	0	74,750.00	89,700.00	0.00	<b>90,560.00</b>	90,505.00	2
<b>AMG Line Premium</b>								
EQE 350 4MATIC SUV	Battery electric vehicle, 292 hp/215 kW Electric range up to 323 miles - WLTP <sup>1</sup>	0	82,000.00	98,400.00	0.00	<b>99,260.00</b>	99,205.00	2
EQE 500 4MATIC SUV	Battery electric vehicle, 408 hp/300 kW Electric range up to 324 miles - WLTP <sup>1</sup>	0	89,916.67	107,900.00	0.00	<b>108,760.00</b>	108,705.00	2
<b>AMG Line Premium Plus</b>								
EQE 350 4MATIC SUV	Battery electric vehicle, 292 hp/215 kW Electric range up to 306 miles - WLTP <sup>1</sup>	0	92,833.33	111,400.00	0.00	<b>112,260.00</b>	112,205.00	2
EQE 500 4MATIC SUV	Battery electric vehicle, 408 hp/300 kW Electric range up to 307 miles - WLTP <sup>1</sup>	0	100,750.00	120,900.00	0.00	<b>121,760.00</b>	121,705.00	2
<b>Business Class</b>								
EQE 350 4MATIC SUV	Battery electric vehicle, 292 hp/215 kW Electric range up to 319 miles - WLTP <sup>1</sup>	0	92,833.33	111,400.00	0.00	<b>112,260.00</b>	112,205.00	2
EQE 500 4MATIC SUV	Battery electric vehicle, 408 hp/300 kW Electric range up to 320 miles - WLTP <sup>1</sup>	0	100,750.00	120,900.00	0.00	<b>121,760.00</b>	121,705.00	2

<sup>1</sup>The indicated values were determined according to the prescribed measurement method - Worldwide Harmonised Light Vehicle Test Procedure (WLTP). Figures shown may include options which are not available in the UK. Battery Electric Vehicles (BEV) require mains electricity for charging, range figures determined with the battery fully charged. <sup>2</sup>Figures shown are for comparability purposes; only compare with other cars tested to the same technical procedures. Figures may not reflect real life driving results, which will depend upon a number of factors including the starting charge of the battery, factory-fitted options, accessories fitted (post registration), variations in weather, driving styles and vehicle load. Further information about the test used to establish range, power consumption and CO<sub>2</sub> figures can be found at <http://www.mercedes-benz.co.uk/WLTP> <sup>3</sup>A different first year rate of Vehicle Excise Duty (Road Fund Licence) applies for new cars. Please refer to page 62 for the relevant rate for the second and subsequent years <sup>3</sup>The recommended on-the-road price includes the Road Fund Licence applicable to the standard model plus delivery charge (£780.00 incl. VAT), new vehicle registration fee (£55.00) and number plates (£25.00 incl. VAT). VAT is calculated at the standard rate of 20%. Some of the model features, optional extras and colours shown may not be available, or may only be available in a different specification, or at a different price

EQE SUV

# Mercedes-AMG



AMG



Design	Technology	Safety	Mercedes-EQ	Model lines and upholstery	Model prices	Mercedes-AMG and upholstery	Mercedes-AMG prices	Personalisation	Standard equipment	Technical data	Additional information
--------	------------	--------	-------------	----------------------------	--------------	-----------------------------	---------------------	-----------------	--------------------	----------------	------------------------

# Mercedes-AMG EQE SUV

Model lines overview



Mercedes-AMG EQE 53 4MATIC+ Night Edition SUV »



Mercedes-AMG EQE 53 4MATIC+ Touring SUV »





# Mercedes-AMG EQE 53 4MATIC+ Night Edition SUV



No-cost option shown: emerald green metallic (code 989)

## Luxury, power and unparalleled style.

The Mercedes-AMG EQE 53 4MATIC+ Night Edition SUV perfectly combines luxury and sportiness. With its Night package, featuring high-gloss black trim elements, it exudes a sense of style and sportiness. Equipped with an AMG-specific black panel radiator grille with chrome vertical struts, 21" Y-spoke design alloy wheels with red callipers, and

sports seats, this model delivers a thrilling driving experience. Inside, the Burmester® 3D surround sound system ensures an immersive audio experience for every journey.

**Mercedes-AMG EQE 53 4MATIC+ Night Edition SUV**

**OTR from £133,860<sup>1</sup>**

<sup>1</sup>The recommended on-the-road price includes the Road Fund Licence applicable to the standard model plus delivery charge (£780.00 incl. VAT), new vehicle registration fee (£55.00) and number plates (£25.00 incl. VAT). VAT is calculated at the standard rate of 20%. Some of the model features, optional extras and colours shown may not be available, or may only be available in a different specification, or at a different price

Design	Technology	Safety	Mercedes-EQ	Model lines and upholstery	Model prices	Mercedes-AMG and upholstery	Mercedes-AMG prices	Personalisation	Standard equipment	Technical data	Additional information
--------	------------	--------	-------------	----------------------------	--------------	-----------------------------	---------------------	-----------------	--------------------	----------------	------------------------

# Mercedes-AMG EQE 53 4MATIC+ Night Edition SUV

Standard equipment highlights



No-cost option shown: emerald green metallic (code 989)



No-cost option shown: emerald green metallic (code 989)

## Exterior

21" AMG alloy wheels – Y-spoke design, aerodynamically optimised and painted in matt black with a high-shine rim flange (RQW)

AMG specific black panel radiator grille with chrome vertical struts

AMG specific rear apron with diffuser-look insert and trim element with 3 chrome louvres

AMG specific side skirts

DIGITAL LIGHT with projection function

Illuminated AMG door sills with changeable covers

Night package – with mirror caps, beltline and trim elements in high-gloss black

Red brake callipers

Summer tyres



Design	Technology	Safety	Mercedes-EQ	Model lines and upholstery	Model prices	Mercedes-AMG and upholstery	Mercedes-AMG prices	Personalisation	Standard equipment	Technical data	Additional information
--------	------------	--------	-------------	----------------------------	--------------	-----------------------------	---------------------	-----------------	--------------------	----------------	------------------------



**Interior**

Acoustic Comfort package – for an extraordinarily calm vehicle interior: special glass membranes, reinforced felts and additional insulation effectively help to reduce disruptive exterior noise

AMG Performance steering wheel in nappa leather/MICROCUT microfibre

KEYLESS-GO Comfort package

Red top stitching on the dashboard, beltlines, door panel centre panels and centre console

Sports Seats

**Communications, Safety and Assistance Systems**

AMG TRACK PACE

Burmester® 3D surround sound system

Driving Assistance package Plus<sup>1</sup>

EASY-PACK electric tailgate

Head-up display

Parking – INTELLIGENT PARKING PILOT with Remote Parking Assist



**Trim and Upholstery**

AMG nappa leather – black/space grey

Centre console in anthracite open-pore lime wood



<sup>1</sup>Our driver assistance and safety systems are aids and do not relieve you of your responsibility as the driver. Please take note of the information in the Owner's Manual and the system limits which are described therein

Design	Technology	Safety	Mercedes-EQ	Model lines and upholstery	Model prices	Mercedes-AMG and upholstery	Mercedes-AMG prices	Personalisation	Standard equipment	Technical data	Additional information
--------	------------	--------	-------------	----------------------------	--------------	-----------------------------	---------------------	-----------------	--------------------	----------------	------------------------





# Mercedes-AMG EQE 53 4MATIC+ Touring SUV



No-cost option shown: high-tech silver metallic (code 922)

## The ultimate blend of comfort and power.

Where unparalleled comfort meets exhilarating power: the Mercedes-AMG EQE 53 4MATIC+ Touring SUV features the AMG Performance steering wheel wrapped in nappa leather and a

heated function, elevating your driving pleasure to new heights. 21" cross-spoke design alloy wheels and sleek silver brake calipers accentuate the SUV's dynamic aesthetics.

**Mercedes-AMG EQE 53 4MATIC+ Touring SUV**

**OTR from £133,860<sup>1</sup>**

<sup>1</sup>The recommended on-the-road price includes the Road Fund Licence applicable to the standard model plus delivery charge (£780.00 incl. VAT), new vehicle registration fee (£55.00) and number plates (£25.00 incl. VAT). VAT is calculated at the standard rate of 20%. Some of the model features, optional extras and colours shown may not be available, or may only be available in a different specification, or at a different price

Design	Technology	Safety	Mercedes-EQ	Model lines and upholstery	Model prices	Mercedes-AMG and upholstery	Mercedes-AMG prices	Personalisation	Standard equipment	Technical data	Additional information
--------	------------	--------	-------------	----------------------------	--------------	-----------------------------	---------------------	-----------------	--------------------	----------------	------------------------



# Mercedes-AMG EQE 53 4MATIC+ Touring SUV

Standard equipment highlights



No-cost option shown: high-tech silver metallic (code 922)



No-cost option shown: high-tech silver metallic (code 922)

In addition to/replacement of Mercedes-AMG EQE SUV 53 4MATIC+ Night Edition:

**Exterior**

21" AMG alloy wheels – cross-spoke design, aerodynamically optimised, painted matt black with a high-sheen finish (RWQ)

Silver brake callipers

Summer tyres



Design	Technology	Safety	Mercedes-EQ	Model lines and upholstery	Model prices	Mercedes-AMG and upholstery	Mercedes-AMG prices	Personalisation	Standard equipment	Technical data	Additional information
--------	------------	--------	-------------	----------------------------	--------------	-----------------------------	---------------------	-----------------	--------------------	----------------	------------------------



### Interior

AMG Performance steering wheel in nappa leather

Heated steering wheel



### Trim and Upholstery

AMG nappa leather – black/space grey



Centre console in anthracite open-pore lime wood



# Mercedes-AMG upholstery



● Standard ○ Optional



**851A AMG nappa leather<sup>1</sup> – black/space grey**

- Mercedes-AMG EQE 53 4MATIC+ Night Edition
- Mercedes-AMG EQE 53 4MATIC+ Touring



**859A AMG nappa leather<sup>1</sup> – neva grey/biscay blue**

- Mercedes-AMG EQE 53 4MATIC+ Night Edition
- Mercedes-AMG EQE 53 4MATIC+ Touring



**861A AMG nappa leather<sup>1</sup> – black/balao brown**

- Mercedes-AMG EQE 53 4MATIC+ Night Edition
- Mercedes-AMG EQE 53 4MATIC+ Touring

<sup>1</sup>100% of seat upholstery is pure leather

Design	Technology	Safety	Mercedes-EQ	Model lines and upholstery	Model prices	Mercedes-AMG and upholstery	Mercedes-AMG prices	Personalisation	Standard equipment	Technical data	Additional information
--------	------------	--------	-------------	----------------------------	--------------	-----------------------------	---------------------	-----------------	--------------------	----------------	------------------------

# Become the AMG expert

Unleash a new level of performance.



Step into the world of performance and experience the AMG brand at Mercedes-Benz World – from the powerful sound of the engines to the smell of the leather to the unmistakable design of our vehicles.

Mercedes-Benz World invites all Mercedes-AMG customers to a complimentary adrenaline-packed driving experience. Feel the sensational AMG driving performance, develop your driving skills and even try your hand at power-sliding on the Wet Skid Circle. With expert one-to-one guidance from a Driving Specialist in the passenger seat, experience every inch of our Handling Circuits, Dynamic Straight and low friction surfaces.



[Click here for more information](#)

**TERMS AND CONDITIONS**  
 The following customers only are eligible: The first purchaser/registered keeper of a newly registered Mercedes-AMG. The complimentary training must be booked and taken within 12 months of email receipt. The training is available Monday - Friday only (excluding bank holidays) and subject to availability. Upgrades are available for an additional cost, details upon request. Transferable to individuals who reside at the same postal address only. Mercedes-Benz UK Limited reserves the right to amend or withdraw this training experience. Attendees must hold a full UK driving licence. Attendees will be required to sign the Mercedes-Benz World Driving Risk Acknowledgement prior to undertaking the training experience.

The training experience is also subject to the Mercedes-Benz World Terms and Conditions, as applicable. Retailer demonstrator vehicles are not eligible.

Design	Technology	Safety	Mercedes-EQ	Model lines and upholstery	Model prices	Mercedes-AMG and upholstery	Mercedes-AMG prices	Personalisation	Standard equipment	Technical data	Additional information
--------	------------	--------	-------------	----------------------------	--------------	-----------------------------	---------------------	-----------------	--------------------	----------------	------------------------

# Mercedes-AMG prices



Model line	Powertrain	CO <sub>2</sub> WLTP <sup>1</sup> *	Basic RRP excl. VAT (£)	Total RRP incl. VAT (£)	Road Fund Licence (£) <sup>2</sup> WLTP	Rec. OTR price (£) <sup>3</sup> WLTP	P11D value (£)	BiK tax rate 2023/24 (%) <sup>2</sup>
Mercedes-AMG EQE 53 4MATIC+ Night Edition SUV	Battery electric vehicle, 617 hp/460 kW Electric range up to 305 miles – WLTP <sup>1</sup>	0	110,833.33	133,000.00	0.00	<b>133,860.00</b>	133,805.00	2
Mercedes-AMG EQE 53 4MATIC+ Touring SUV	Battery electric vehicle, 617 hp/460 kW Electric range up to 305 miles – WLTP <sup>1</sup>	0	110,833.33	133,000.00	0.00	<b>133,860.00</b>	133,805.00	2

<sup>1</sup>The indicated values were determined according to the prescribed measurement method - Worldwide Harmonised Light Vehicle Test Procedure (WLTP). Figures shown may include options which are not available in the UK. Battery Electric Vehicles (BEV) require mains electricity for charging, range figures determined with the battery fully charged. <sup>2</sup>Figures shown are for comparability purposes; only compare with other cars tested to the same technical procedures. Figures may not reflect real life driving results, which will depend upon a number of factors including the starting charge of the battery, factory-fitted options, accessories fitted (post registration), variations in weather, driving styles and vehicle load. Further information about the test used to establish range, power consumption and CO<sub>2</sub> figures can be found at <http://www.mercedes-benz.co.uk/WLTP> <sup>3</sup>A different first year rate of Vehicle Excise Duty (Road Fund Licence) applies for new cars. Please refer to page 62 for the relevant rate for the second and subsequent years <sup>3</sup>The recommended on-the-road price includes the Road Fund Licence applicable to the standard model plus delivery charge (£780.00 incl. VAT), new vehicle registration fee (£55.00) and number plates (£25.00 incl. VAT). VAT is calculated at the standard rate of 20%. Some of the model features, optional extras and colours shown may not be available, or may only be available in a different specification, or at a different price

Design	Technology	Safety	Mercedes-EQ	Model lines and upholstery	Model prices	Mercedes-AMG and upholstery	Mercedes-AMG prices	Personalisation	Standard equipment	Technical data	Additional information
--------	------------	--------	-------------	----------------------------	--------------	-----------------------------	---------------------	-----------------	--------------------	----------------	------------------------

# Colour options

● Standard    □ No-cost option

Total prices incl. VAT



197 obsidian black metallic ●



922 high-tech silver metallic □



799 MANUFAKTUR diamond bright white metallic £695



842 sodalite blue metallic □



989 emerald green metallic □



956 MANUFAKTUR alpine grey £695



771 velvet brown metallic □



992 selenite grey metallic □

Please note that, owing to limitations of on-screen representation, paint colours may differ from those shown

Design	Technology	Safety	Mercedes-EQ	Model lines and upholstery	Model prices	Mercedes-AMG and upholstery	Mercedes-AMG prices	Personalisation	Standard equipment	Technical data	Additional information
--------	------------	--------	-------------	----------------------------	--------------	-----------------------------	---------------------	-----------------	--------------------	----------------	------------------------

# Combination options

● Possible    – Not possible

		Interior upholstery colours					
		231A Leather <sup>1</sup> – black/space grey	249A Leather <sup>1</sup> – neva grey/biscay blue	801A Nappa leather <sup>2</sup> – black/space grey	804A Nappa leather <sup>2</sup> – balao brown/black	814A Nappa leather <sup>2</sup> – balao brown/neva grey	821A Nappa leather <sup>2</sup> – black/biscay blue
Exterior paint colours	197 obsidian black metallic	●	●	●	●	●	●
	842 sodalite blue metallic	●	●	●	–	●	●
	771 velvet brown metallic	●	●	●	●	●	●
	922 high-tech silver metallic	●	–	●	●	–	●
	989 emerald green metallic	●	●	●	●	●	–
	992 selenite grey metallic	●	●	●	●	●	●
	799 MANUFAKTUR diamond bright white metallic	●	–	●	●	●	●
	956 MANUFAKTUR alpine grey	●	●	●	●	●	●

<sup>1</sup>At least 80% of the seat upholstery is pure leather, while up to 20% may consist of man-made leather

<sup>2</sup>100% of seat upholstery is pure leather



# Towing package

The Towing package offers an electronically folding tow bar which increases the towing capacity up to 3,500 kg.

**Towing package (code 550)** - designed and priced as a package, including items as listed.

**Available on all models** **Total incl. VAT £1,500.00**

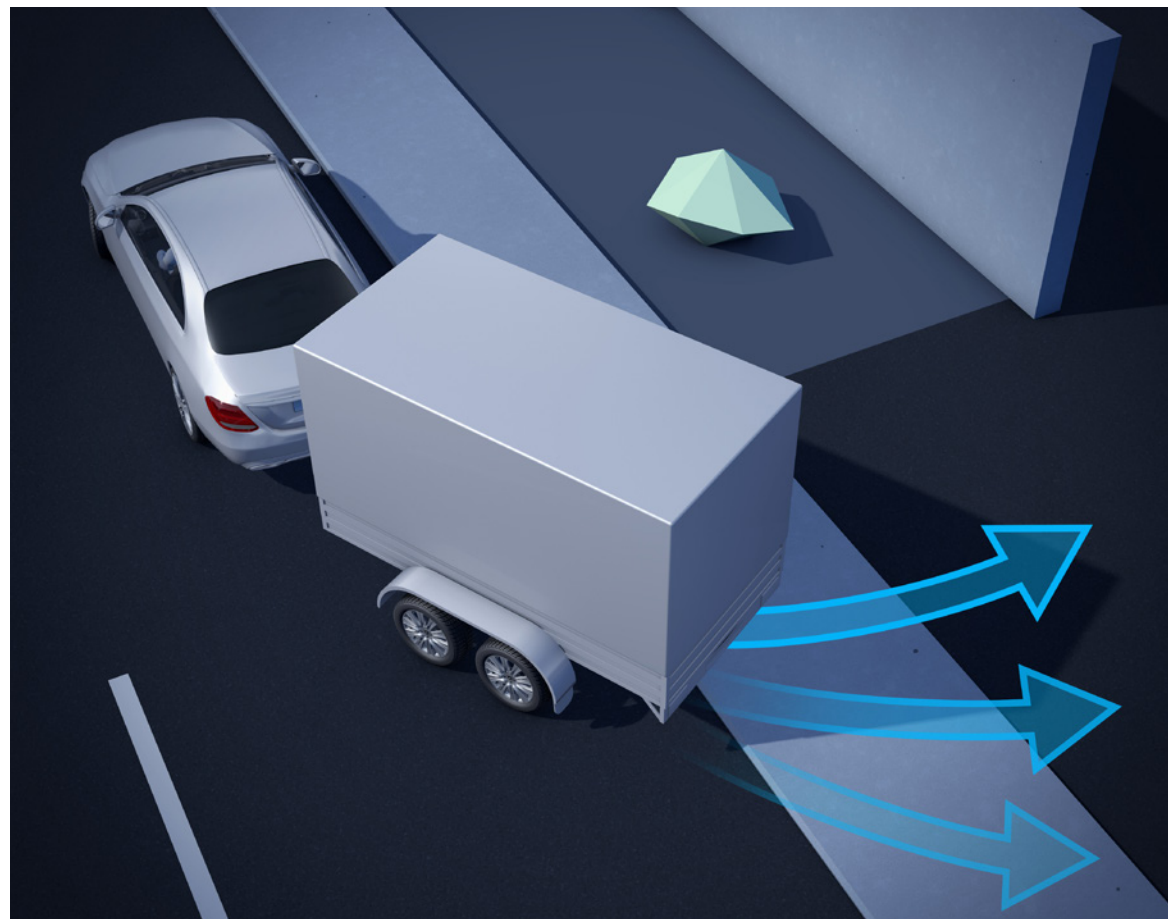
Not available on Mercedes-AMG EQE 53 4MATIC+ Night Edition and Mercedes-AMG EQE 53 4MATIC+ Touring

**Consisting of:**

Control button with LED light in the tailgate

Electrically folding trailer hitch, stows behind the bumper when not in use

Increased towing capacity - max. 3,500 kg



# Hyperscreen package

Enhance your interior with an impressive design feature. As if cast from a single mould, three displays seamlessly blend together beneath a glass panel to create one large MBUX hyperscreen. Brilliant OLED technology enhances your display comfort, while the haptic feedback helps to simplify input on the touchscreen.

**Hyperscreen package (code PAG)** – designed and priced as a package.

**Available on AMG Line Premium only**

**Total incl. VAT £7,995.00**

Standard on AMG Line Premium Plus, Business Class, Mercedes-AMG EQE 53 4MATIC+ Night Edition and Mercedes-AMG EQE 53 4MATIC+ Touring



**Consisting of:**

12.3-inch OLED display for the front passenger provides them with their very own display and control area

12.3-inch OLED driver's display & 12.8-inch OLED central display

Bright OLED displays with haptic feedback and innovative zero-layer interface

Pre-installation for MBUX Entertainment Plus featuring ZYNC – gives the ability to stream visual content to the passenger display or view from the integrated film library

Design	Technology	Safety	Mercedes-EQ	Model lines and upholstery	Model prices	Mercedes-AMG and upholstery	Mercedes-AMG prices	Personalisation	Standard equipment	Technical data	Additional information
--------	------------	--------	-------------	----------------------------	--------------	-----------------------------	---------------------	-----------------	--------------------	----------------	------------------------

# Standard equipment

● Standard    – Not available

## Battery and Charging

	AMG Line	AMG Line Premium	AMG Line Premium Plus	Business Class
11kW AC on-board charger	●	–	–	–
22kW AC on-board charger	–	●	●	●
170 kW DC on-board charger	●	●	●	●
Charging cable – Mode 3 cable (5 metres), Type 2, enables you to charge the vehicle battery via the wallbox or at public charging stations	●	●	●	●

## Steering, Transmission and Suspension

	AMG Line	AMG Line Premium	AMG Line Premium Plus	Business Class
Adaptive damping system	●	●	●	●
AIRMATIC air suspension struts with integrated adaptive damping system at the front and rear axle – automatic level control system, depending on load: load detection for a constant suspension level. Suspension level can be raised for rough roads and is automatically lowered at high speeds, MBUX can remember these actions and suggest them when arriving at the same location	●	●	●	●
Steering – 10° rear axle steering	–	–	●	●

## Exterior

	AMG Line	AMG Line Premium	AMG Line Premium Plus	Business Class
Acoustic presence indicator	●	●	●	●
Aluminium-look, illuminated running boards with rubber studs	●	●	●	●
AMG exterior styling	●	●	●	–
Business Class exterior styling	–	–	–	●
Electrically folding exterior mirrors	●	●	●	●
Headlamps – Adaptive Highbeam Assist	●	–	–	–

	AMG Line	AMG Line Premium	AMG Line Premium Plus	Business Class
Headlamps – Adaptive Highbeam Assist Plus	–	●	●	●
Headlamps – DIGITAL LIGHT	–	●	–	–
Headlamps – DIGITAL LIGHT with projection function	–	–	●	●
Headlamps – LED	●	–	–	–
Heat-insulating dark tinted glass	●	●	●	●
Heat-insulating, noise-insulating and infrared-reflecting laminated glass	–	–	●	●
Heated windscreen washer system	●	●	●	●
Panoramic sliding sunroof	–	●	●	●
Radiator grille with Mercedes-Benz star pattern	●	●	●	●
Surround Lighting with animated projection of the Mercedes-Benz pattern	–	–	●	●

## Wheels

	AMG Line	AMG Line Premium	AMG Line Premium Plus	Business Class
20" AMG alloy wheels – 5-twin-spoke design, aerodynamically optimised, painted vanadium silver with aero elements in matt tantalite grey, 255/45 R20 tyres (code RRT)	●	–	–	–
21" AMG alloy wheels – 5-triple-spoke design, aerodynamically optimised, painted high-gloss black with a high-sheen finish, 265/40 R21 tyres (code 19R)	–	–	–	●
21" AMG alloy wheels – multi-spoke design, aerodynamically optimised, painted high-gloss black with a high-sheen finish, 265/40 R21 tyres (code RWX)	–	●	–	–
22" AMG alloy wheels – multi-spoke design, aerodynamically optimised, painted high-gloss black with a high-sheen finish, 265/35 R22 tyres (code RPE)	–	–	●	–
Summer tyres	●	●	●	●

# Standard equipment

● Standard – Not available

## Interior

	AMG Line	AMG Line Premium	AMG Line Premium Plus	Business Class
Acoustic Comfort package – for an extraordinarily calm vehicle interior: special glass membranes, reinforced felts and additional insulation effectively help to reduce disruptive exterior noise	–	–	●	●
Active ambient lighting	–	●	●	●
AIR-BALANCE package	–	–	–	●
Ambient lighting with projection of brand logo	●	●	●	●
Automatically dimming rear view mirror	●	●	●	●
EASY-PACK load compartment cover	●	●	●	●
ENERGIZING AIR CONTROL Plus	●	●	●	●
ENERGIZING package Plus	–	–	–	●
Floor mats – AMG	●	●	●	–
Floor mats – velour	–	–	–	●
Heated windscreen washer system	●	●	●	●
Illuminated door sills panels with 'Mercedes-Benz' lettering	●	●	●	●
KEYLESS-GO Comfort package	●	●	●	●
Memory package – electrical adjustment and memory function for front seats, steering wheel, outside mirror, heated areas of the seat cushion and seat backrest, head-up display (where fitted), four-way front lumbar support and seat cushion length. Includes PRE-SAFE® positioning function for front passenger seat	●	●	●	●
Multifunction sports steering wheel in leather, heated	–	–	–	●
Multifunction sports steering wheel in nappa leather	●	●	●	–

	AMG Line	AMG Line Premium	AMG Line Premium Plus	Business Class
Seats – 4-way lumbar support	●	●	●	–
Seats – climatized front seats	●	●	●	●
Seats – comfort seats	–	–	–	●
Seats – folding rear seats backrests	●	●	●	●
Seats – luxury head restraints in the front	–	–	–	●
Seats – multi-contour front seats	–	–	–	●
Seats – Seat Heating Plus for front seats	–	–	–	●
Seats – sports seats	●	●	●	–
THERMATIC three-zone automatic climate control	●	●	–	–
THERMOTRONIC four-zone automatic climate control	–	–	●	●

## Paint, Trim and Upholstery

	AMG Line	AMG Line Premium	AMG Line Premium Plus	Business Class
Paint – metallic	●	●	●	●
Roof lining – black fabric	●	●	●	●
Trim – centre console in anthracite linestructure lime wood	●	●	●	–
Trim – centre console in ship's deck open-pore walnut wood	–	–	–	●
Upholstery – leather	●	●	●	–
Upholstery – nappa leather	–	–	–	●

# Standard equipment

● Standard ○ Optional – Not available

## Safety and Assistance Systems

	AMG Line	AMG Line Premium	AMG Line Premium Plus	Business Class
Anti-theft alarm system	●	●	●	●
Airbags – driver and front passenger, with extended adaptivity for front passenger airbag	●	●	●	●
Airbag – kneebag for driver	●	●	●	●
Airbags – sidebag for driver and front	●	●	●	●
Airbags – windowbags	●	●	●	●
DISTRONIC	●	–	–	–
Driving Assistance package Plus <sup>1</sup>	–	●	●	●
EASY-PACK electric tailgate	●	●	●	●
Evasive Manoeuvre Support	●	●	●	●
GUARD 360° vehicle protection Plus <sup>2</sup> – anti-theft protection hardware including alarm and immobilizer. Theft notification and park damage detection <sup>3</sup> , stolen vehicle locator <sup>3</sup> , 360° surroundview-camera snapshots <sup>3</sup> and remote key immobilizer <sup>3</sup>	●	●	●	●
Parking – 360° camera	–	●	●	●
Parking – Active Parking Assist <sup>1</sup> with PARKTRONIC and reversing camera	●	–	–	–
Parking – INTELLIGENT PARKING PILOT with Remote Parking Assist	–	●	●	●
PRESAFE® Impulse Side	●	●	●	●
PRESAFE® system	●	●	●	●
Speed Limit Assist	●	–	–	–
TIREFIT with tyre inflation compressor	●	●	●	●
Traffic Sign Assist	–	●	●	●
Transparent bonnet	●	●	●	●
Tyre pressure monitoring and loss warning system	●	●	●	●

## Communications and In-Car Entertainment

	AMG Line	AMG Line Premium	AMG Line Premium Plus	Business Class
12.3-inch digital instrument cluster display	●	●	–	–
12.8-inch media display	●	●	–	–
Dashcam	–	●	●	●
Digital radio	●	●	●	●
Fingerprint scanner – colour-illuminated fingerprint scanner in the trim strip below the OLED media display, two fingerprints per user can be stored, quick access replaces PIN entry, protects personal data such as profiles plus office and payment functions	●	●	●	●
Head-up display	–	–	●	●
MBUX augmented reality for navigation	–	●	●	●
MBUX Hyperscreen	–	○	●	●
MBUX Interior Assistant (front)	–	–	●	●
MBUX Navigation Premium with Live Traffic <sup>2</sup>	●	●	●	●
Pre-installation for digital key transfer <sup>2</sup>	●	●	●	●
Pre-installation for MBUX Entertainment Plus	●	●	●	●
Smartphone integration <sup>4</sup> including Apple CarPlay® and Android Auto™	●	●	●	●
Sound personalisation	–	●	●	●
Sound system – Burmester® 3D surround sound system	–	●	●	●
Sound system – Mercedes-Benz sound system	●	–	–	–
TV tuner	–	–	–	●
USB package Plus	●	●	●	●
Wireless charging <sup>4</sup> for mobile devices (front)	●	●	●	●

<sup>1</sup>Our driver assistance and safety systems are aids and do not relieve you of your responsibility as the driver. Please take note of the information in the Owner's Manual and the system limits which are described therein of network providers <sup>2</sup>Free of charge for three years from activation <sup>3</sup>Compatible smartphone required. For further details please visit <https://www.mercedes-benz-mobile.com/>

<sup>2</sup>The connection of the communication module to the mobile phone network including the emergency call system depends on the respective network coverage and availability

# Standard equipment Mercedes-AMG

● Standard    – Not available

## Battery and Charging

	EQE-53 4MATIC+ Night Edition	EQE-53 4MATIC+ Touring
22 kW AC on-board charger	●	●
170 kW DC on-board charger	●	●
Charging cable – Mode 3 cable (5 metres), Type 2, enables you to charge the vehicle battery via the wallbox or at public charging stations	●	●

## Steering, Transmission and Suspension

Adaptive Damping System	●	●
AIRMATIC air suspension struts with integrated adaptive damping system at the front and rear axle –automatic level control system, depending on load: load detection for a constant suspension level. Suspension level can be raised for rough roads and is automatically lowered at high speeds, MBUX can remember these actions and suggest them when arriving at the same location	●	●
Steering – 10° rear axle steering	●	●

## Exterior

Acoustic presence indicator	●	●
Aluminium-look, illuminated running boards with rubber studs	●	●
AMG exterior styling	●	●
AMG specific black panel radiator grille with chrome vertical struts	●	●

	EQE-53 4MATIC+ Night Edition	EQE-53 4MATIC+ Touring
Brakes – red painted AMG brake callipers	●	–
Brakes – silver painted AMG brake callipers	–	●
Electrically folding exterior mirrors	●	●
Headlamps – Adaptive Highbeam Assist Plus	●	●
Headlamps – DIGITAL LIGHT with projection function	●	●
Heat-insulating dark tinted glass	●	●
Heat-insulating, noise-insulating and infrared-reflecting laminated glass	●	●
Heated windscreen washer system	●	●
Night package – with mirror caps, beltline and trim elements in high-gloss black	●	–
Panoramic sliding sunroof	●	●

## Wheels

21" AMG alloy wheels – Y-spoke design, aerodynamically optimised, painted matt black with a high-sheen rim flange, 275/40 R21 tyres (code RQW)	●	–
21" AMG alloy wheels – cross-spoke design, aerodynamically optimised, painted matt black with a high-sheen finish, 275/40 R21 tyres (code RWQ)	–	●
Summer tyres	●	●

# Standard equipment Mercedes-AMG

● Standard – Not available

## Interior

	EQE-53 4MATIC+ Night Edition	EQE-53 4MATIC+ Touring
Acoustic Comfort package – for an extraordinarily calm vehicle interior: special glass membranes, reinforced felts and additional insulation effectively help to reduce disruptive exterior noise	●	●
Active ambient lighting	●	●
Ambient lighting with projection of brand logo	●	●
Automatically dimming rear view mirror	●	●
EASY-PACK load compartment cover	●	●
ENERGIZING AIR CONTROL Plus	●	●
ENERGIZING package Plus	●	●
Floor mats – AMG	●	●
KEYLESS-GO Comfort package	●	●
Memory package – electrical adjustment and memory function for front seats, steering wheel, outside mirror, heated areas of the seat cushion and seat backrest, head-up display (where fitted), four-way front lumbar support and seat cushion length. Includes PRE-SAFE® positioning function for front passenger seat	●	●
Steering wheel – AMG Performance steering wheel in nappa leather	–	●
Steering wheel – AMG Performance steering wheel in nappa leather/MICROCUT microfibre	●	–

	EQE-53 4MATIC+ Night Edition	EQE-53 4MATIC+ Touring
Steering wheel – AMG steering wheel buttons	●	●
Steering wheel – heated steering wheel	–	●
Seats – climatized front seats	●	●
Seats – folding rear seats backrests	●	●
Seats – Seat Heating Plus for front seats	●	●
Seats – sports seats	●	●
THERMOTRONIC four-zone automatic climate control	●	●

## Paint, Trim and Upholstery

Paint – metallic	●	●
Roof lining – black MICROCUT microfibre	●	●
Trim – centre console in anthracite open-pore lime wood	●	●
Upholstery – AMG nappa leather	●	●

<sup>1</sup>Our driver assistance and safety systems are aids and do not relieve you of your responsibility as the driver. Please take note of the information in the Owner's Manual and the system limits which are described therein

<sup>2</sup>Free of charge for three years from activation

<sup>3</sup>Compatible smartphone required. For further details please visit <https://www.mercedes-benz-mobile.com/>

# Standard equipment Mercedes-AMG

● Standard – Not available

## Safety and Assistance Systems

	EQE 53 4MATIC+ Night Edition	EQE 53 4MATIC+ Touring
Anti-theft alarm system	●	●
Airbags – driver and front passenger, with extended adaptivity for front passenger airbag	●	●
Airbag – kneebag for driver	●	●
Airbags – sidebag for driver and front	●	●
Airbags – windowbags	●	●
Driving Assistance package Plus <sup>1</sup>	●	●
EASY-PACK electric tailgate	●	●
Evasive Manoeuvre Support	●	●
GUARD 360° vehicle protection Plus <sup>2</sup> – anti-theft protection hardware including alarm and immobilizer. Theft notification and park damage detection <sup>3</sup> , stolen vehicle locator <sup>3</sup> , 360° surroundview-camera snapshots <sup>3</sup> and remote key immobilizer <sup>3</sup>	●	●
Parking – 360° camera	●	●
Parking – INTELLIGENT PARKING PILOT with Remote Parking Assist	●	●
PRESAFE® Impulse Side	●	●
PRESAFE® system	●	●
TIREFIT with tyre inflation compressor	●	●
Traffic Sign Assist	●	●
Transparent bonnet	●	●
Tyre pressure monitoring and loss warning system	●	●

## Communications and In-Car Entertainment

	EQE 53 4MATIC+ Night Edition	EQE 53 4MATIC+ Touring
AMG TRACK PACE	●	●
Dashcam	●	●
Digital radio	●	●
Fingerprint scanner – colour-illuminated fingerprint scanner in the trim strip below the OLED media display, two fingerprints per user can be stored, quick access replaces PIN entry, protects personal data such as profiles plus office and payment functions	●	●
Head-up display	●	●
MBUX augmented reality for navigation	●	●
MBUX Hyperscreen	●	●
MBUX Navigation Premium with Live Traffic <sup>2</sup>	●	●
Pre-installation for digital key transfer <sup>2</sup>	●	●
Pre-installation for MBUX Entertainment Plus	●	●
Smartphone integration <sup>4</sup> including Apple CarPlay® and Android Auto™	●	●
Sound personalisation	●	●
Sound system – Burmester® 3D surround sound system	●	●
TV tuner	●	●
USB package Plus	●	●
Wireless charging <sup>4</sup> for mobile devices (front)	●	●

<sup>1</sup>Our driver assistance and safety systems are aids and do not relieve you of your responsibility as the driver. Please take note of the information in the Owner's Manual and the system limits which are described therein of network providers <sup>2</sup>Free of charge for three years from activation <sup>3</sup>Compatible smartphone required. For further details please visit <https://www.mercedes-benz-mobile.com/>

<sup>2</sup>The connection of the communication module to the mobile phone network including the emergency call system depends on the respective network coverage and availability



# Technical data

- Standard

Model		EQE 350 4MATIC SUV	EQE 500 4MATIC SUV	Mercedes-AMG EQE 53 4MATIC+ SUV
<b>Motor</b>				
Battery type		lithium-ion high-voltage	lithium-ion high-voltage	lithium-ion high-voltage
Electric motor type		asynchronous	asynchronous	asynchronous
Battery capacity	kWh	89	91	91
Power <sup>1</sup>	hp (kW)	288 (215)	402 (300)	617 (460)
Torque <sup>1</sup>	Nm at rpm	765/2,662	858/3,337	950/4,639
On-board charger	kW (AMG Line)	22 (11)kW AC; 170 kW DC	22 kW AC; 170 kW DC	22 kW AC; 170 kW DC
Emissions standard		EU6	EU6	EU6
<b>Transmission</b>				
Single-speed automatic		●	●	●
<b>Performance</b>				
Acceleration 0–62 mph	sec	6.6	4.9	3.7
Top speed	mph	130	130	149
Charging time				
Public Rapid charger (170 kW DC) 10–80% <sup>2</sup>		31–32 mins	31–32 mins	31–32 mins
Wallbox (22 kW AC) 10–100% <sup>3</sup>		5 hrs	5 hrs	5 hrs
Wallbox (11 kW AC) 10–100% <sup>3</sup>		10 hrs	–	–
Home Wallbox (7.4 kW AC) <sup>4</sup>		14 hrs	14 hrs	–
Electric energy consumption, combined <sup>4,5</sup>	Wh/km	226–187	226–189	225–230
Electric range – WLTP <sup>4</sup>	miles	285–341	287–341	254–283

<sup>1</sup>Figures according to Regulation (EC) No. 595/2009 in the currently applicable version <sup>2</sup>Specified voltage and current values refer to network infrastructure and can be limited by the vehicle. Times are from 10–80% charge using public rapid charging at 170 kW <sup>3</sup>Specified voltage and current values refer to network infrastructure and can be limited by the vehicle. Times are from 10–100% charge using a wallbox (three-phase) or standard socket (single-phase) <sup>4</sup>Figures shown are for comparability purposes; only compare with other cars tested to the same technical procedures. Figures may not reflect real life driving results, which will depend upon a number of factors including the starting charge of the battery, factory-fitted options, accessories fitted (post registration), variations in weather, driving styles and vehicle load. Further information about the test used to establish range, power consumption and CO<sub>2</sub> figures can be found at <http://www.mercedes-benz.co.uk/WLTP> <sup>5</sup>Specified voltage and current values refer to network infrastructure and can be limited by the vehicle

# Technical data

Model		EQE 350 4MATIC SUV	EQE 500 4MATIC SUV	Mercedes-AMG EQE 53 4MATIC+ SUV
<b>Weights and capacities</b>				
Kerb weight <sup>6</sup>	kg	2,580	2,560	2,690
Perm. Gross Vehicle Weight	kg	3,095	3,095	3,195
Boot capacity – seats up/down	l	520/1,675	520/1,675	520/1,675
Turning circle	m	12.3	12.3	11.45

## Insurance

All variants	tba	tba	tba
--------------	-----	-----	-----

Insurance ratings may vary depending on model line and specification. Please refer to <http://www.thatcham.org/abigrouprating/> for further details

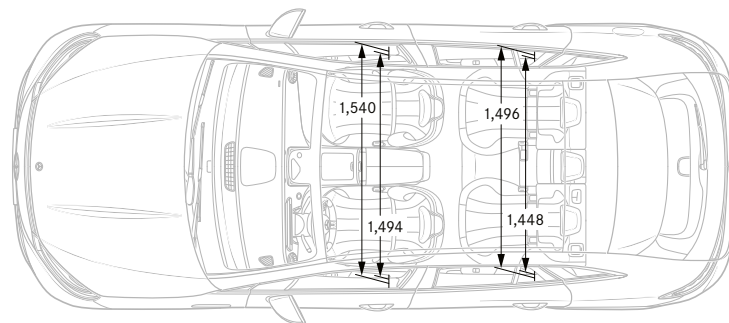
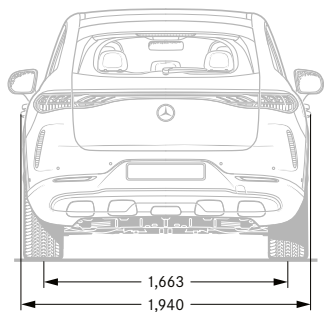
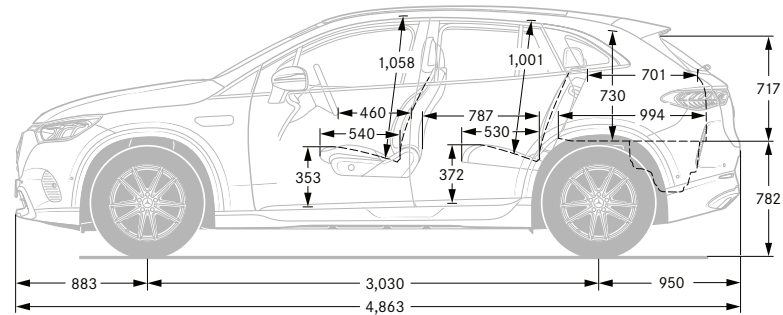
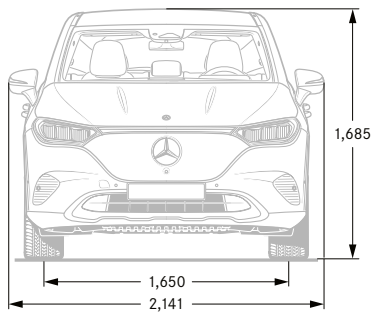
<sup>6</sup>Mass of the vehicle in running order with at least 90% full fuel tank, plus the mass of the driver (estimated by law at 75 kg), fuel and fluids, equipped with the standard equipment as specified by the manufacturer as well as, where applicable, the mass of the body, cab, trailer coupling and spare wheel(s) as well as tools. Optional extras, additional equipment and accessories can influence the weight, residual payload, rolling resistance, aerodynamics, etc., and therefore also affect the consumption/CO<sub>2</sub> values

# Electric range and consumption

Model	Energy Consumption - combined (Wh/km) <sup>1,2</sup>	All Electric Range (km) <sup>2</sup>	All Electric Range (miles) <sup>2</sup>
EQE 350 4MATIC AMG Line SUV	192	538	334
EQE 350 4MATIC AMG Line SUV + Towing package	194	532	331
EQE 350 4MATIC AMG Line Premium SUV	199	520	323
EQE 350 4MATIC AMG Line Premium SUV + Towing package	202	514	319
EQE 350 4MATIC AMG Line Premium Plus SUV	211	492	306
EQE 350 4MATIC AMG Line Premium Plus SUV + Towing package	214	486	302
EQE 350 4MATIC Business Class SUV	202	513	319
EQE 350 4MATIC Business Class SUV + Towing package	206	503	313
EQE 500 4MATIC AMG Line Premium SUV	201	522	324
EQE 500 4MATIC AMG Line Premium SUV + Towing package	204	516	321
EQE 500 4MATIC AMG Line Premium Plus SUV	212	494	307
EQE 500 4MATIC AMG Line Premium Plus SUV + Towing package	215	488	303
EQE 500 4MATIC Business Class SUV	204	515	320
EQE 500 4MATIC Business Class SUV + Towing package	208	506	314
Mercedes-AMG EQE 53 4MATIC+ Night Edition SUV	234	491	305
Mercedes-AMG EQE 53 4MATIC+ Touring SUV	234	491	305

<sup>1</sup>Specified voltage and current values refer to network infrastructure and can be limited by the vehicle fitted (post registration), variations in weather, driving styles and vehicle load. Further information about the test used to establish range, power consumption and CO<sub>2</sub> figures can be found at <http://www.mercedes-benz.co.uk/WLTP> <sup>2</sup>Figures shown are for comparability purposes; only compare with other cars tested to the same technical procedures. Figures may not reflect real life driving results, which will depend upon a number of factors including the starting charge of the battery, factory-fitted options, accessories

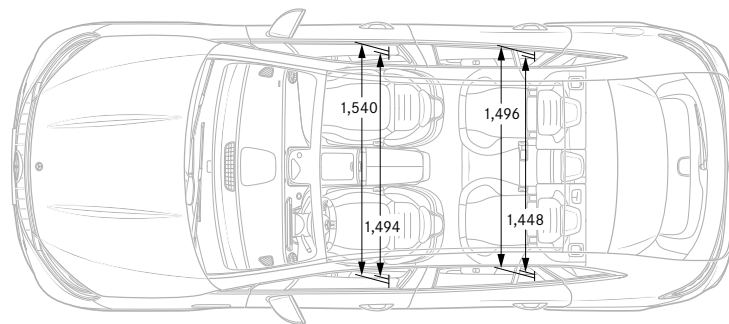
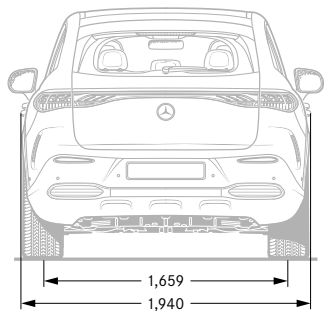
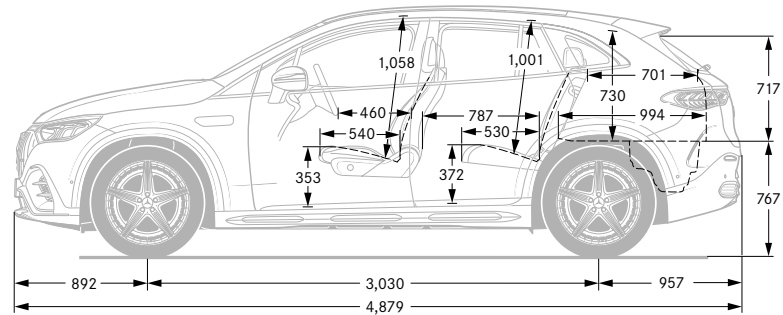
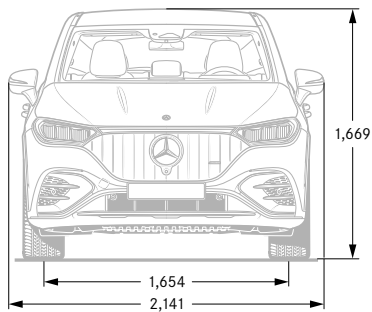
# EQE SUV



All measurements in millimetres. The dimensions shown are mean values and apply to standard-specification, unladen vehicles

Design	Technology	Safety	Mercedes-EQ	Model lines and upholstery	Model prices	Mercedes-AMG and upholstery	Mercedes-AMG prices	Personalisation	Standard equipment	Technical data	Additional information
--------	------------	--------	-------------	----------------------------	--------------	-----------------------------	---------------------	-----------------	--------------------	----------------	------------------------

# Mercedes-AMG EQE 53 4MATIC+ SUV



Design	Technology	Safety	Mercedes-EQ	Model lines and upholstery	Model prices	Mercedes-AMG and upholstery	Mercedes-AMG prices	Personalisation	Standard equipment	Technical data	Additional information
--------	------------	--------	-------------	----------------------------	--------------	-----------------------------	---------------------	-----------------	--------------------	----------------	------------------------

# Road Fund Licence

All road vehicle registrations are subject to Vehicle Excise Duty (Road Fund Licence), which varies in accordance with the vehicle's CO<sub>2</sub> emissions. A first year rate for each taxation band will apply. The table below shows the bands (A-M) created by the DVLA and the corresponding Road Fund Licence. CO<sub>2</sub> emissions and the relevant Excise Duty are shown on the model pricing pages.

Band	CO <sub>2</sub> emissions (g/km)	First year rate petrol and RDE2 diesel (£)	First year rate alternative fuel (£)	Electric vehicles		Alternative fuel vehicles		Petrol/diesel vehicles	
				Standard rate (£)	Premium rate (£) <sup>1</sup>	Standard rate (£)	Premium rate (£) <sup>1</sup>	Standard rate (£)	Premium rate (£) <sup>1</sup>
A	0	0.00	0.00	0.00	0.00	0.00	0.00	0.00	0.00
B	1 to 50	10.00	0.00	0.00	0.00	170.00	560.00	180.00	570.00
C	51 to 75	30.00	20.00	0.00	0.00	170.00	560.00	180.00	570.00
D	76 to 90	130.00	120.00	0.00	0.00	170.00	560.00	180.00	570.00
E	91 to 100	165.00	155.00	0.00	0.00	170.00	560.00	180.00	570.00
F	101 to 110	185.00	175.00	0.00	0.00	170.00	560.00	180.00	570.00
G	111 to 130	210.00	200.00	0.00	0.00	170.00	560.00	180.00	570.00
H	131 to 150	255.00	245.00	0.00	0.00	170.00	560.00	180.00	570.00
I	151 to 170	645.00	635.00	0.00	0.00	170.00	560.00	180.00	570.00
J	171 to 190	1,040.00	1,030.00	0.00	0.00	170.00	560.00	180.00	570.00
K	191 to 225	1,565.00	1,555.00	0.00	0.00	170.00	560.00	180.00	570.00
L	226 to 255	2,220.00	2,210.00	0.00	0.00	170.00	560.00	180.00	570.00
M	over 255	2,605.00	2,595.00	0.00	0.00	170.00	560.00	180.00	570.00



Some of the model features, optional extras and colours shown may not be available, or may only be available in a different specification  
<sup>1</sup>Premium rate only applicable to vehicles where the list price is over £40,000 including any factory-fitted options, standard UK delivery charge, number plates, fuel and VAT

# Services and insurance

## Mercedes-Benz ServiceCare

We believe that servicing costs should be as flexible and affordable as possible for your EQE, which is why we offer ServiceCare, an easy way to budget for all your servicing costs. It spreads your bills into manageable payments based on whether you have a new or used Mercedes-Benz.

With ServiceCare we guarantee the price of parts and labour for up to four services and safeguard against any further inflation.

You can choose either to add your servicing costs into your monthly spend or pay the full amount in a one-off payment, giving you peace of mind that they are taken care of for the period of the plan.

[Click here for more information](#)

## Warranty and breakdown cover

Every Mercedes-Benz comes with a three-year unlimited mileage warranty against manufacturing or material defects<sup>1</sup> and up to 30 years warranty against perforation due to corrosion from the inside out.<sup>2</sup> What's more, it's also covered by Mercedes-Benz Roadside Assistance – a unique package comprising up to 30 years pan-European breakdown assistance.<sup>2</sup>

## Battery Warranty

The battery comes with a 10-year 155,000-mile warranty.<sup>3</sup>

## Motor Insurance

We know that once you have chosen your Mercedes-Benz you can't wait to drive it – that's why we created First Cover.<sup>4</sup> It gives you 7 days' free comprehensive Motor Insurance when you buy a new or used vehicle from a Mercedes-Benz Agent. We will also send you a quote for annual cover, so you can enjoy the same peace of mind all year round.

[Apply for First Cover](#)



<sup>1</sup>Applies to vehicles sold by Mercedes-Benz in the UK to its franchised Mercedes-Benz Agents <sup>2</sup>Subject to full Terms and Conditions, dependent on date of registration, available upon request <sup>3</sup>Cars that hold a Hackney carriage vehicle licence (Taxicab) and/or Taxi Operator licence issued by a local authority, come with a 3-year 155,000-mile battery warranty <sup>4</sup>Terms and Conditions apply. We are an independent intermediary dealing with selected insurers in respect of annual insurance

Design	Technology	Safety	Mercedes-EQ	Model lines and upholstery	Model prices	Mercedes-AMG and upholstery	Mercedes-AMG prices	Personalisation	Standard equipment	Technical data	Additional information
--------	------------	--------	-------------	----------------------------	--------------	-----------------------------	---------------------	-----------------	--------------------	----------------	------------------------



EQE SUV

Effective from July 2023 Production. Information correct at time of publication 16.05.2023.

Prices and specifications are subject to change without prior notice.

MBX294PL/1123 MY804

