



The EQE SUV

Effective from January 2025 Production.

Mercedes-Benz





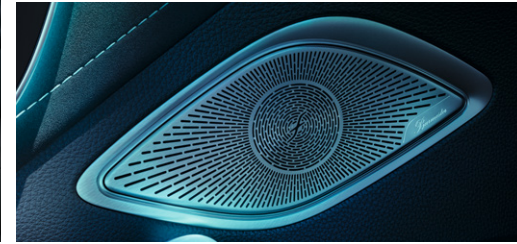
Book a test drive



Find your EQE SUV



Find a Showroom



Design	Technology	Safety	Model lines and upholstery	Model prices	Mercedes-AMG and upholstery	Mercedes-AMG prices	Personalisation	Standard equipment	Technical data	Additional information
--------	------------	--------	----------------------------	--------------	-----------------------------	---------------------	-----------------	--------------------	----------------	------------------------



Book a test drive



Find your EQE SUV



Find a Showroom



Some of the model features, optional extras and colours shown may not be available, or may only be available in a different specification, or at a different price.

Design	Technology	Safety	Model lines and upholstery	Model prices	Mercedes-AMG and upholstery	Mercedes-AMG prices	Personalisation	Standard equipment	Technical data	Additional information
--------	------------	--------	----------------------------	--------------	-----------------------------	---------------------	-----------------	--------------------	----------------	------------------------



Book a test drive



Find your EQE SUV



Find a Showroom



Some of the model features, optional extras and colours shown may not be available, or may only be available in a different specification, or at a different price.

Design	Technology	Safety	Model lines and upholstery	Model prices	Mercedes-AMG and upholstery	Mercedes-AMG prices	Personalisation	Standard equipment	Technical data	Additional information
--------	------------	--------	----------------------------	--------------	-----------------------------	---------------------	-----------------	--------------------	----------------	------------------------



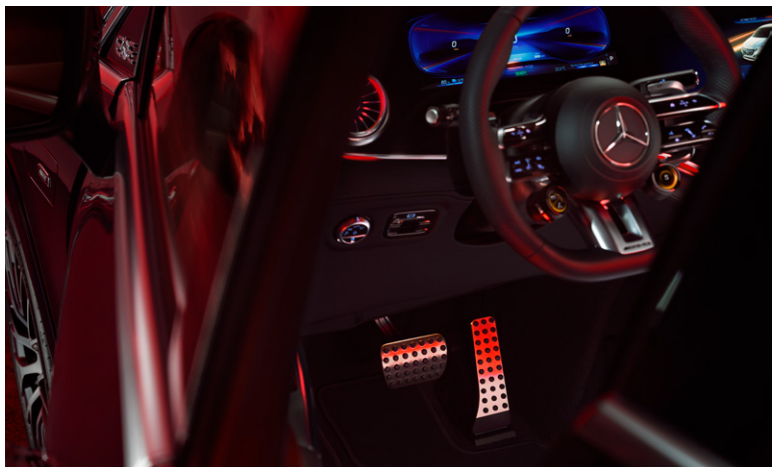
Book a test drive



Find your EQE SUV



Find a Showroom



Design

Technology

Safety

Model lines and upholstery

Model prices

Mercedes-AMG and upholstery

Mercedes-AMG prices

Personalisation

Standard equipment

Technical data

Additional information



Some of the model features, optional extras and colours shown may not be available, or may only be available in a different specification, or at a different price.

Design	Technology	Safety	Model lines and upholstery	Model prices	Mercedes-AMG and upholstery	Mercedes-AMG prices	Personalisation	Standard equipment	Technical data	Additional information
------------------------	----------------------------	------------------------	--	------------------------------	---	-------------------------------------	---------------------------------	------------------------------------	--------------------------------	--



Book a test drive



Find your EQE SUV



Find a Showroom



Some of the model features, optional extras and colours shown may not be available, or may only be available in a different specification, or at a different price.

Design	Technology	Safety	Model lines and upholstery	Model prices	Mercedes-AMG and upholstery	Mercedes-AMG prices	Personalisation	Standard equipment	Technical data	Additional information
--------	------------	--------	----------------------------	--------------	-----------------------------	---------------------	-----------------	--------------------	----------------	------------------------

EQE SUV

Technology



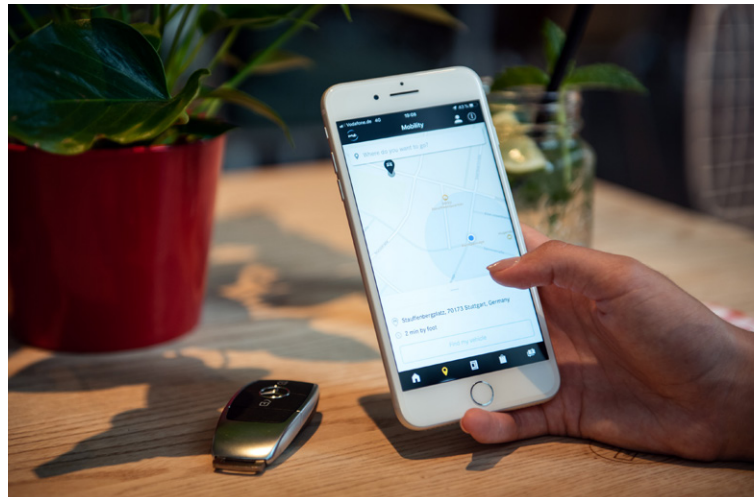
Design	Technology	Safety	Model lines and upholstery	Model prices	Mercedes-AMG and upholstery	Mercedes-AMG prices	Personalisation	Standard equipment	Technical data	Additional information
--------	-------------------	--------	----------------------------	--------------	-----------------------------	---------------------	-----------------	--------------------	----------------	------------------------

Digital Extras Stay connected any time, anywhere.

Digital Extras are a range of innovative online services designed to enhance your Mercedes-Benz experience. Accessible via mobile, tablet or PC, Digital Extras let you enjoy the highest standards of care and support, in a way that integrates seamlessly with your busy lifestyle.

Safety and Service – Digital Extras help to keep you and your car safe

Check your car's washer fluid level, tyre pressure and battery level from your phone so you'll be ready for every journey.



Live Traffic Information, Parked Vehicle Locator and much more

Forgot where you've parked? Parked Vehicle Locator¹ will show you exactly where your car is as long as you're in a 1-mile radius of where you parked. Real-time traffic data and dynamic route with shorter journey times.

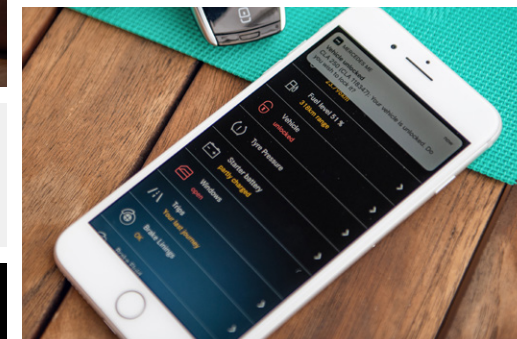
For more information speak to your local Mercedes-Benz Agent or visit the Mercedes-Benz store at shop.mercedes-benz.com/en-gb/connect

Comfort – connect to your car anytime, anywhere

Forgot to lock your car? With Remote Car Lock² you will receive a notification on your smartphone to let you know. With one tap, you can lock and unlock your vehicle so you never have to worry.

Specific services for all-electric vehicles from Mercedes-Benz

Check your charging status on the go and programme your pre-entry climate control and charging settings remotely. The specific navigation services for all-electric vehicles from Mercedes-Benz consider electrical range, topography and charging stations.



The connection of the communication module to the mobile phone network including the emergency call system depends on the respective network coverage and availability of network providers

¹Available on all models with the Vehicle Monitoring package. This option may vary between standard and additional cost dependent on the model

²Part of the Vehicle Status package. This option may vary between standard and additional cost dependent on the model

Images shown are for illustration purposes only

Design	Technology	Safety	Model lines and upholstery	Model prices	Mercedes-AMG and upholstery	Mercedes-AMG prices	Personalisation	Standard equipment	Technical data	Additional information
--------	------------	--------	----------------------------	--------------	-----------------------------	---------------------	-----------------	--------------------	----------------	------------------------

Mercedes-Benz Integrated ServiceCare

Effortless maintenance and peace of mind

Enjoy peace of mind with Mercedes-Benz Integrated ServiceCare, an exclusive service offering comprehensive support and maintenance, ensuring every aspect of your vehicle's upkeep, from brake fluid changes to dust filter replacements – all expertly handled.

With Integrated ServiceCare, you can enjoy worry-free maintenance coverage for up to 6 years or 90,000 km (56,250 miles), whichever comes first¹. This comprehensive plan covers all maintenance operations², including brake fluid change and dust filter replacement (Services A and B).

Integrated ServiceCare

Standard on all models³

Integrated ServiceCare includes:

Maintenance services – with a service schedule of A–B–A included, you can be reassured that all EQ-specific vehicle components are maintained, and your vehicle receives the appropriate level of care. Your preferred Mercedes-Benz Authorised Repairer will carry out either an 'A' or a more comprehensive 'B' service at the relevant mileage interval. This includes high-voltage battery conditioning checks as well as inspection of components, cables and sockets, and replacement of the dust filter. Parts, liquids and labour are all included.

Additional work – such as brake fluid replacement and servicing of panoramic sunroof mechanism. Parts, liquids and labour are all included.

Special equipment – depending on additional options such as checking the condition and operation of a trailer hitch. Parts and labour are included.

Please note that the following items are not covered by the Integrated ServiceCare:

Battery replacement for KEYLESS-GO vehicle key

Refilling or replacing the fragrance system's flacon (AIR-BALANCE package)



¹The Integrated ServiceCare is fully transferrable to a new owner if there is coverage remaining

²Maintenance operations as defined by Mercedes-Benz AG

³All EQE SUV models from MY805 onwards will come with Mercedes-Benz Integrated ServiceCare as standard

Mercedes-Benz User Experience (MBUX)

Transforming the in-car user experience, thanks to MBUX: Controlled via voice, touch or gesture (where fitted) input, the innovative infotainment system can over time even predict personal habits thanks to artificial intelligence.

Voice control

- Activated by the keywords “Hey Mercedes”, the new intelligent voice control LINGUATRONIC¹ lets you control many of the infotainment functions, including destination input, phone calls or music selection
- MBUX is able to understand different accents and will adjust to you over time
- MBUX even understands indirect commands. Feeling chilly? Just say “I feel cold” and MBUX will adjust the temperature for you
- MBUX is able to understand which individual seat the request has come from, and will therefore only respond to their specific request (e.g. adjusting the temperature for just the front passenger)

Touch inputs

- Beside voice control you can operate MBUX via touchscreen, the touch controls on the centre console, as well as touch control buttons on the steering wheel

Personalisation

- Turn the EQE SUV into your very own Mercedes-Benz by personalising driving modes, radio stations, ambient lighting and much more
- Your personal settings can be saved in up to seven different profiles, making your driving experience the best one possible
- Thanks to artificial intelligence, MBUX is able to learn and adapt over time. It will be able to predict your personal habits, such as navigation for frequently-driven routes, or the radio station you like to listen to on your way home from work

Maintenance and service

- Wondering when the next service is due? Or how much further you can drive until you need to stop at a charging station? Just ask your MBUX – it will tell you the answer



The connection of the communication module to the mobile phone network including the emergency call system depends on the respective network coverage and availability of network providers

¹LINGUATRONIC off-board functions are currently only available for three years

Design	Technology	Safety	Model lines and upholstery	Model prices	Mercedes-AMG and upholstery	Mercedes-AMG prices	Personalisation	Standard equipment	Technical data	Additional information
--------	------------	--------	----------------------------	--------------	-----------------------------	---------------------	-----------------	--------------------	----------------	------------------------

[Book a test drive](#)[Find your EQE SUV](#)[Find a Showroom](#)

EQE SUV

Vehement power immediately from standstill: An electric motor at the rear axle converts electrical into mechanical energy, and delivers impressive forward thrust. The intelligent operating strategy of the powertrain components supplies the power always wherever it is needed at the moment – efficiently and nearly silently.

EQE 350+

Battery electric vehicle, 292 hp/215 kW
Electric range: up to 376 miles – WLTP

EQE 350 4MATIC

Battery electric vehicle, 292 hp/215 kW
Electric range: up to 339 miles – WLTP

EQE 500 4MATIC

Battery electric vehicle, 408 hp/300 kW
Electric range: up to 357 miles – WLTP

Mercedes-AMG EQE 53 4MATIC+

Battery electric vehicle, 617 hp/406 kW
Electric range: up to 280 miles – WLTP

OTR from **£75,445¹**

OTR from **£79,945¹**

OTR from **£90,510¹**

OTR from **£114,945¹**



Standard equipment

Charging cable for wallbox and public charging stations, Type 2 (Mode 3) – 5 metres
Charging socket

Comfort suspension
Charging system rated at 22 kW AC
Charging system rated at 170 kW DC

Pre-entry climate control²
Radar-based recuperation

Technical details

Electric range ³	257–376 miles
Charging time	
Public Rapid charger (170 kW DC) 10–80% ⁴	31–32 mins
Wallbox (22 kW AC) 10–100% ⁵	5 hrs 15 mins
Home Wallbox (7.4 kW AC) ⁵	15 hrs
Range power consumption, combined ^{3,6}	185–250 Wh/km
Battery type (capacity)	lithium-ion (91–96 kWh)
Capacity on-board charger	22 kW AC; 170 kW DC

Attention

- Please be aware that external factors such as weather, gradient and ambient temperature amongst others can significantly impact range.
- Please also note that internal factors such as driving style and climate control settings etc. can also significantly impact range.
- Using the pre-entry climate control² when plugged into a charge point will ensure the perfect ambience and ensure that your car is just how you like it, as well as making sure that your battery isn't used unnecessarily to heat/cool the vehicle (maximising range).

¹The recommended on-the-road price includes the Road Fund Licence applicable to the standard model plus delivery charge (£730.00 incl. VAT), new vehicle registration fee (£55.00) and number plates (£25.00 incl. VAT). VAT is calculated at the standard rate of 20%. Some of the model features, optional extras and colours shown may not be available, or may only be available in a different specification, or at a different price. ²The connection of the communication module to the mobile phone network including the emergency call system depends on the respective network coverage and availability of network providers. ³Figures shown are for comparability purposes; only compare with other cars tested to the same technical procedures. Figures may not reflect real life driving results, which will depend upon a number of factors including the starting charge of the battery, factory-fitted options, accessories fitted (post registration), variations in weather, driving styles and vehicle load. Further information about the test used to establish range, power consumption and CO₂ figures can be found at <http://www.mercedes-benz.co.uk/WLTP>. ⁴Specified voltage and current values refer to network infrastructure and can be limited by the vehicle. Times are from 10–80% charge using public rapid charging at 200 kW. ⁵Specified voltage and current values refer to network infrastructure and can be limited by the vehicle. Times are from 10–100% charge using a wallbox (three-phase) or standard socket (single-phase). ⁶Specified voltage and current values refer to network infrastructure and can be limited by the vehicle.

Mercedes me Charge¹ Features

Mercedes me Charge¹ provides access to a multitude of public charging stations located in shopping centres, hotels or at motorway services. A smartphone app as well as the vehicle's navigation system show the precise location, current availability and price at the selected charging station.

Tens of thousands charging stations in the UK

Growing network of charging providers includes bp pulse the largest charging network in the UK. Customers also get six months free bp pulse membership which reduces the electricity price when charging.



Access to fast-charging stations

Enables customers to get access to charging stations of different providers with:

- Mercedes-Benz app
- RFID card
- Vehicle Head unit

Charging settings and pre-entry climate control¹

Enjoy your feel-good temperature when you enter your vehicle. You can simply preheat or precool the interior by setting the temperature via the Mercedes-Benz app. In addition, the current charge status can be retrieved at any time using the Mercedes-Benz app.

Navigation with Electric Intelligence

Offering you the greatest possible planning security on the road. Many items of information, such as a fast and convenient route, current state of battery charge, weather data and charging infrastructure, are interlinked. A convenient and time-efficient route is then suggested to you, including charging stops if necessary.

Charging with IONITY

Discounted IONITY rapid-charging for one year at all IONITY stations.

Green charging

All charging using Mercedes me Charge¹, will be retrospectively 'greened' by Mercedes-Benz. Please click [here](#) for more info.

Transparent and easy billing

One invoice charging processes for payment.

Easy access

Charging stations are displayed in Mercedes-Benz app and in MBUX multimedia system.

No fees

Mercedes me Charge¹ is standard with EQE.



¹The connection of the communication module to the mobile phone network including the emergency call system depends on the respective network coverage and availability of network providers. Price information is not guaranteed and is subject to change. Please be aware that this tariff will automatically renew after the 1 year promotion period - for definitive pricing information or should you not wish to continue with the tariff, your cancellation rights and current pricing can be found <https://eu.charge.mercedes.me/web/en/daimler-gb/tariffs>

Mercedes me Charge¹ Tariffs

For more transparency and predictability, enjoy numerous features tailored to your charging habits with the new Mercedes me Charge¹ fixed-priced tariffs S, M and L. Owners of a new all-electric model will be entitled to the Mercedes me Charge¹ tariff L free of charge for the duration of 12 months.

Tariff L

Recommended for 'frequent drivers'

Choose our tariff L to benefit from the best fixed prices for public charging, including discounted rapid-charging at IONITY charging stations as well as all Mercedes me Charge¹ features. This tariff is recommended for frequent and long-distance drivers.

Consisting of:

- All Mercedes me Charge¹ features
- Fixed prices per kWh (AC: £0.45/kWh, after 300 mins + £0.06/min; DC: £0.59/kWh)²
- IONITY rapid-charging stations discounted (£0.59/kWh)

Free of charge for the duration of 12 months.

Thereafter:

£10.90/month

Tariff M

Recommended for 'regular drivers'

Should you wish to downgrade your tariff package after 12 months but still want to benefit from fixed prices, discounted rapid-charging at IONITY charging stations and complete transparency, choose tariff M. This tariff is recommended for regular drivers.

Consisting of:

- All Mercedes me Charge¹ features
- Fixed prices per kWh (AC: £0.52/kWh, after 300 mins + £0.06/min; DC: £0.67/kWh)²
- IONITY rapid-charging stations discounted (£0.67/kWh)

£4.90/month

Tariff S

Recommended for 'casual drivers'

Should you wish to downgrade your tariff package after 12 months, there is the option to go for tariff S, which still offers you all the Mercedes me Charge¹ features based on flexible prices per kWh. This tariff is recommended for casual drivers.

Consisting of:

- All Mercedes me Charge¹ features
- Flexible prices per kWh

£0/month



¹The connection of the communication module to the mobile phone network including the emergency call system depends on the respective network coverage and availability of network providers
²Tariff rate excludes the BP Pulse charging network promotion period - for definitive pricing information or should you not wish to continue with the tariff, your cancellation rights and current pricing can be found <https://eu.charge.mercedes.me/web/en/daimler-gb/tariffs>

Price information is not guaranteed and is subject to change. Please be aware that this tariff will automatically renew after the 1 year

Design	Technology	Safety	Model lines and upholstery	Model prices	Mercedes-AMG and upholstery	Mercedes-AMG prices	Personalisation	Standard equipment	Technical data	Additional information
--------	------------	--------	----------------------------	--------------	-----------------------------	---------------------	-----------------	--------------------	----------------	------------------------

Next generation of home EV charging with Ohme

Mercedes-Benz plug-in vehicle customers with off-street parking can benefit from the convenience and speed of charging at home by installing an Ohme charger.

Home charging with Ohme: from £925* incl. VAT and standard installation

Key benefits of Ohme:

Ohme specialise in providing future-proof electric vehicle charging solutions, in particular smart, affordable and easy-to-use charging products.

Save money: If you have a time-of-use tariff or a variable tariff, you'll pay less for your electricity at certain times of the day. Ohme uses your tariff information to charge your vehicle when the price is low to maximise your savings.

Ohme is the only EV charging provider to integrate with all energy tariffs, including Intelligent Octopus and OVO Charge Anytime – the next generation, smart EV charging tariffs.

Easy installation process.

Choice of tethered or untethered units.

Award-winning customer service – check Trustpilot for more information.

A 3-year warranty is included.

Connect your charger to the Ohme smartphone app to unlock smarter and cheaper charging at home. Easy-to-use, the Ohme app will give you full control to get more from your EV.

Ohme's chargers are compliant with the UK New Smart Charger Regulations for complete peace of mind.

OZEV Grant:

You may be entitled to claim for an OZEV grant towards the cost of your home charger.¹

To find out whether you are entitled please contact your local Mercedes-Benz Agent.

Questions?

Please contact your local Mercedes-Benz Agent to submit an enquiry to your chosen charging partner on your behalf. To find your local Mercedes-Benz Agent, please click the button at the top right hand corner.

Warning!

If you are planning to charge your Mercedes-Benz plug-in electric vehicle using a 3-pin domestic plug socket you must get a qualified electrician to inspect and sign off the socket to confirm it is safe and suitable to charge your vehicle. Do not use an electric vehicle 3-pin charge cable with an extension cord.



*Price excludes £350 OZEV EVHS Grant. Price correct at time of publication, subject to change
¹The home charger £350 Grant (including VAT) is only available to customers who meet the criteria of the Office for Zero Emission Vehicles (OZEV). For full details and eligibility criteria for the OZEV EVHS Grant, see <https://www.gov.uk/government/publications/electric-vehicle-home-charger-scheme-guidance-for-customers-version-21>.

Home charging with Pod Point Simple, convenient, fast charging.



Mercedes-Benz plug-in vehicle customers with off-street parking can benefit from the convenience and speed of charging at home by installing a Pod Point home charger.

Home charging with Pod Point: from £925* incl. VAT and standard installation

For full terms and conditions please visit <https://pod-point.com/legal/home-charger-terms-of-sale>

Key benefits of Pod Point:

Pod Point is one of the leading provider of EV charging in the UK with over 200,000 home chargepoints installed.

A comprehensive 3 year 'swap out' warranty is included.

Auto Power Balancing lets you adjust your charge so that your electrical supply doesn't get overloaded when your home is using a lot of energy.

Built-in earthing protection removes the needs for expensive earth rods.

Choice of tethered or untethered units; £925 for a 7 kW universal, and £975 for 7 kW tethered.

The Pod Point public network consists of over 9,200 charging bays across the UK.

5 year warranty as standard, free of charge.

The standard installation package includes up to 15m of external cabling.

Utilise charge scheduling in conjunction with an off-peak EV tariff to reduce your charging costs by 70% compared with the current Energy Price Cap.¹

OZEV Grant:

You may be entitled to claim for an OZEV grant towards the cost of your home charger²

To find out whether you are entitled please contact your local Mercedes-Benz Agent.

Questions?

Please contact your local Mercedes-Benz Agent to submit an enquiry to your chosen charging partner on your behalf. To find your local Mercedes-Benz Agent, please click the button at the top right hand corner.

Warning!

If you are planning to charge your Mercedes-Benz plug-in electric vehicle using a 3-pin domestic plug socket you must get a qualified electrician to inspect and sign off the socket to confirm it is safe and suitable to charge your vehicle. Do not use an electric vehicle 3-pin charge cable with an extension cord.



*Price excludes £350 OZEV EVHS Grant. Price correct at time of publication, subject to change ¹Based on an off-peak tariff of 8 p/kWh compared with the energy price cap as of 1 October 2023 of 26.92 p/kWh ²The home charger £350 Grant (including VAT) is only available to customers who meet the criteria of the Office for Zero Emission Vehicles (OZEV). For full details and eligibility criteria for the OZEV EVHS Grant, see <https://www.gov.uk/government/publications/electric-vehicle-homecharge-scheme-guidance-for-customers-version-21>.



Book a test drive



Find your EQE SUV



Find a Showroom

EQE SUV

Safety

Design

Technology

Safety

Model lines
and upholstery

Model prices

Mercedes-AMG
and upholstery

Mercedes-AMG
prices

Personalisation

Standard
equipment

Technical data

Additional
information

DIGITAL LIGHT

High-definition headlamps with innovative features

● Standard – Not available

The new innovative DIGITAL LIGHT headlamps works like a projector with more than one million pixels per headlamp and responds with brilliant light to changing traffic, road or weather conditions. Its ULTRA RANGE Highbeam with 650 m makes you feel like driving at daylight.

Model line	DIGITAL LIGHT with pre-installation for projection function ¹	DIGITAL LIGHT with projection function
AMG Line Edition	–	–
AMG Line Night Edition Premium	●	–
AMG Line Night Edition Premium Plus	●	–
Mercedes-AMG Night Edition	–	●
Mercedes-AMG Night Edition Premium Plus	–	●

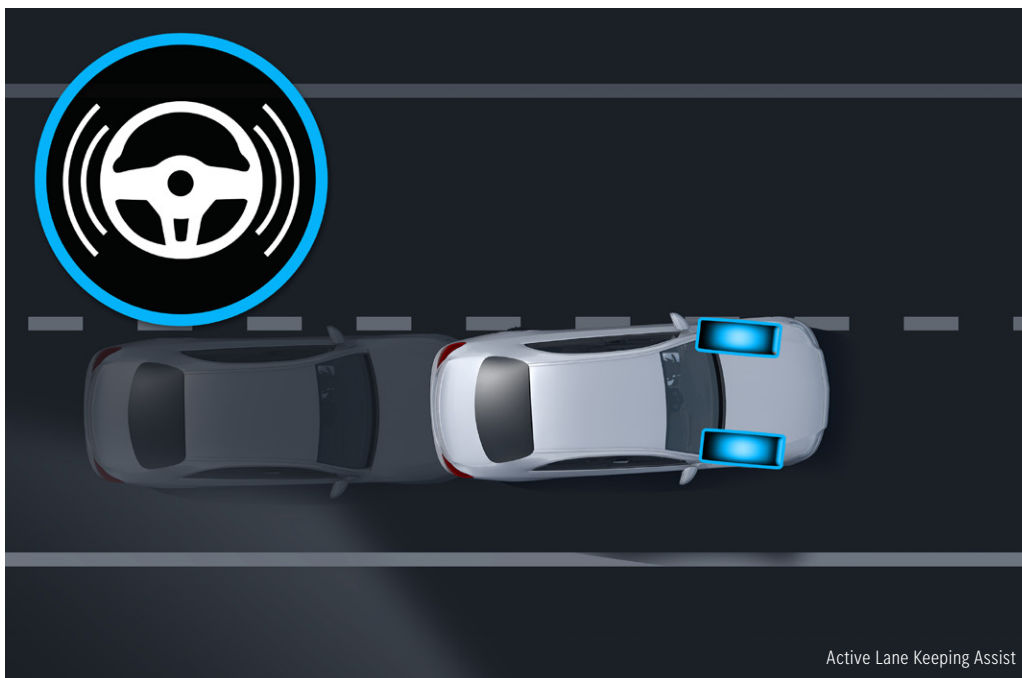


¹Downloadable from Mercedes-Benz store

Driving Assistance package Plus Cares for what matters.

The EQE SUV comes with standard ground-breaking innovations in safety, comfort and driving functions, to help you stay safe on the road.

Driving Assistance package Plus¹ (code P20) – designed and priced as a package **Standard on all models except AMG Line Edition**



Active Blind Spot Assist expanded with blind spot monitoring towards the front and side. Additional hazard indication of the blind spot warning system as well as exit warning function

Active Brake Assist with cross-traffic function with turning manoeuvre function (responding to (among other things) crossing pedestrians when making a turn). Operating range on urban routes expanded to 74 mph (previously 44 mph)

Active Distance Assist DISTRONIC responds to stationary road users to prevent collisions up to 80 mph (previously 37 mph)

Active Emergency Stop Assist: able to assist in manual mode (previously on in DISTRONIC mode). Optional lane change by one lane (at 49 mph where no obstacles detected)

Active Evasive Steering Assist: responds to cyclists and ends of tailbacks in addition to pedestrians. Operating range on urban routes expanded to 67 mph (previously 44 mph)

Active Lane Keeping Assist with enhanced comfort thanks to active steering intervention (instead of braking intervention) and additional hazard indication

Active Speed Limit Assist ensures detected speed limits are automatically adopted as the set speed for Active Distance Assist DISTRONIC

Active Traffic Sign Assist

Congestion emergency braking function

Emergency corridor function

Exit warning function when hand moves towards the door handles

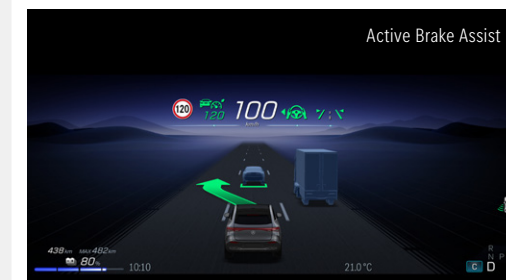
Extended automatic restart on motorways

Hazard display via ambience lighting

Increased availability and cornering performance on carriageways with **Active Steering Assist**, more stern warnings to put hands on the steering wheel with new capacitive steering wheel

PRE-SAFE® PLUS and Impulse Side with body-raising function: when a rear-end collision threatens, PRE-SAFE® PLUS can initiate preventive measures, including warning following traffic and locking the brakes on standstill

Route-based speed adjustment with end of traffic jam function and Active Stop-and-Go Assist adaption of speed before curves, roundabouts and junctions with end of traffic jam function



¹Our driver assistance and safety systems are aids and do not relieve you of your responsibility as the driver. Please take note of the information in the Owner's Manual and the system limits which are described therein



Book a test drive



Find your EQE SUV



Find a Showroom

EQE SUV Model lines overview



AMG Line Edition »



AMG Line Night Edition Premium »



AMG Line Night Edition Premium Plus »

Design

Technology

Safety

Model lines and upholstery

Model prices

Mercedes-AMG and upholstery

Mercedes-AMG prices

Personalisation

Standard equipment

Technical data

Additional information

EQE SUV AMG Line Edition



No-cost option shown: emerald green metallic (code 989)

Where style meets performance

Introducing the AMG Line Edition, equipped with striking 21" AMG alloy wheels featuring a sleek multi-spoke design with a high-gloss black finish, this model ensures a commanding presence on the road. With its AMG Line exterior, LED headlamps with Adaptive Highbeam Assist, and iconic radiator grille displaying the Mercedes-Benz star pattern, every detail exudes sophistication. Inside, enjoy the comfort of sports seats upholstered in luxurious

leather, complemented by a multifunction sports steering wheel crafted from nappa leather. Plus, the convenience of the KEYLESS-GO Comfort package adds a touch of modern luxury to your driving experience.

EQE AMG Line Edition

OTR from £75,445¹

¹The recommended on-the-road price includes the Road Fund Licence applicable to the standard model plus delivery charge (£730.00 incl.VAT), new vehicle registration fee (£55.00) and number plates (£25.00 incl.VAT). VAT is calculated at the standard rate of 20%. Some of the model features, optional extras and colours shown may not be available, or may only be available in a different specification, or at a different price

Design	Technology	Safety	Model lines and upholstery	Model prices	Mercedes-AMG and upholstery	Mercedes-AMG prices	Personalisation	Standard equipment	Technical data	Additional information
--------	------------	--------	----------------------------	--------------	-----------------------------	---------------------	-----------------	--------------------	----------------	------------------------

EQE SUV AMG Line Edition Standard equipment highlights



No-cost option shown: emerald green metallic (code 989)



No-cost option shown: emerald green metallic (code 989)

Exterior

21" AMG alloy wheels – multi-spoke design, aerodynamically optimised, painted high-gloss black with a high-sheen finish (code RWX)

AIRMATIC air suspension with Adaptive Damping System

AMG Line exterior

EASY-PACK powered tailgate

Heat-insulating, dark-tinted glass

KEYLESS-GO Comfort package

LED headlamps with Adaptive Highbeam Assist

Mirror package

Radiator grille with Mercedes-Benz star pattern

Summer tyres



Design	Technology	Safety	Model lines and upholstery	Model prices	Mercedes-AMG and upholstery	Mercedes-AMG prices	Personalisation	Standard equipment	Technical data	Additional information
--------	------------	--------	----------------------------	--------------	-----------------------------	---------------------	-----------------	--------------------	----------------	------------------------



Communications, Safety and Assistance Systems

12.3-inch central display	Parking package – Active Park Assist ¹ with PARKTRONIC and reversing camera
Advanced sound system	Smartphone integration ³ including Apple CarPlay [®] and Android Auto [™]
Blind Spot Assist	Speed Limit Assist
DISTRONIC PLUS	USB package Plus
GUARD 360° vehicle protection Plus ²	Wireless charging ³ in the front centre console
MBUX multimedia system	
MBUX Hyperscreen ³ (standard on EQE 500 only)	

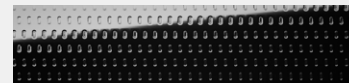
Servicing

Mercedes-Benz Integrated ServiceCare – the maintenance service covers all necessary maintenance work for 6 years or 90,000 km (56,250 miles)⁴

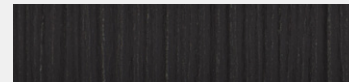


Trim and Upholstery

Centre console in black fine-structure look trim



Dashboard in anthracite open-pore linestructure lime wood trim



Leather – black/space grey



Interior

Ambient lighting Plus – with projection of brand logo	Memory package
AMG Line interior	Multifunction sports steering wheel in nappa leather
Automatically dimming rear view mirror	Sports seats
Illuminated door sill panels with 'Mercedes-Benz' lettering	THERMATIC two-zone automatic climate control

¹Our driver assistance and safety systems are aids and do not relieve you of your responsibility as the driver. Please take note of the information in the Owner's Manual and the system limits which are described therein of network providers

³Compatible mobile phone required

⁴The Integrated ServiceCare is fully transferrable to a new owner if there is coverage remaining. All EQE SUV models from MY805 onwards will come with Mercedes-Benz Integrated ServiceCare as standard

²The connection of the communication module to the mobile phone network including the emergency call system depends on the respective network coverage and availability

EQE SUV AMG Line Night Edition Premium



Cost option shown: MANUFAKTUR alpine grey solid (code 956)

Luxury, performance, and innovation combined

Introducing the AMG Line Night Edition Premium, featuring 21" AMG alloy wheels with a high-gloss black finish in a multi-spoke design. The Night package enhances its sleek profile, while the panoramic sunroof invites you to embrace the open sky. With DIGITAL LIGHTS illuminating the road ahead and aluminium-look illuminated running boards adding a touch of elegance, this model sets a new standard in style. Inside, immerse

yourself in the ambience with active ambient lighting and indulge in concert-quality sound with the Burmester® surround sound system.

EQE SUV AMG Line Night Edition Premium
Upgrade price from EQE SUV AMG Line Edition

OTR from £82,445¹
£7,000

¹The recommended on-the-road price includes the Road Fund Licence applicable to the standard model plus delivery charge (£730.00 incl.VAT), new vehicle registration fee (£55.00) and number plates (£25.00 incl.VAT). VAT is calculated at the standard rate of 20%. Some of the model features, optional extras and colours shown may not be available, or may only be available in a different specification, or at a different price

Design	Technology	Safety	Model lines and upholstery	Model prices	Mercedes-AMG and upholstery	Mercedes-AMG prices	Personalisation	Standard equipment	Technical data	Additional information
--------	------------	--------	----------------------------	--------------	-----------------------------	---------------------	-----------------	--------------------	----------------	------------------------

EQE SUV AMG Line Night Edition Premium Standard equipment highlights



Cost option shown: MANUFAKTUR alpine grey solid (code 956)



Cost option shown: MANUFAKTUR alpine grey solid (code 956)

In addition to/replacement of AMG Line Edition:

Exterior

21" AMG alloy wheels – multi-spoke design, aerodynamically optimised, painted high-gloss black with a high-shine finish (code RWX)

Adaptive Highbeam Assist Plus

Aluminium-look, illuminated running boards with rubber studs

DIGITAL LIGHT with pre-installation for projection function¹

Night package

Panoramic sliding sunroof

Summer tyres

¹Downloadable from Mercedes-Benz store





Interior

Active ambient lighting

Communications, Safety and Assistance Systems

Active Speed Limit Assist¹

Burmester® surround sound system with sound personalisation

Digital TV tuner

Driving Assistance package Plus¹

MBUX augmented reality for navigation

MBUX Hyperscreen² (standard on EQE 500 4MATIC only; available as a cost option on all other engines)

Parking package – Active Park Assist¹ with PARKTRONIC and 360° camera

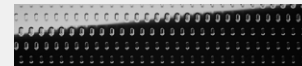
Traffic Sign Assist

Transparent bonnet (not available on EQE 350+)

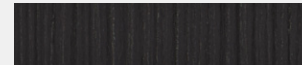


Trim and Upholstery

Centre console in black fine-structure look trim



Dashboard in anthracite open-pore linestructure lime wood trim



Leather – black/space grey



¹Our driver assistance and safety systems are aids and do not relieve you of your responsibility as the driver. Please take note of the information in the Owner's Manual and the system limits which are described therein

²The centre console in anthracite open-pore linestructure lime wood trim in conjunction with MBUX Hyperscreen

Design	Technology	Safety	Model lines and upholstery	Model prices	Mercedes-AMG and upholstery	Mercedes-AMG prices	Personalisation	Standard equipment	Technical data	Additional information
--------	------------	--------	----------------------------	--------------	-----------------------------	---------------------	-----------------	--------------------	----------------	------------------------

EQE SUV AMG Line Night Edition Premium Plus



Obsidian black shown (standard)

Where sophistication meets innovation

The AMG Line Night Edition Premium Plus, boasting impressive 22" AMG alloy wheels featuring a sleek multi-spoke design and finished in high-gloss black as well as DIGITAL LIGHT with pre-installation for projection function¹, makes for a striking appearance on the road. Experience the luxury of multicontour and climatized front seats with luxury

head restraints and THERMOTRONIC four-zone automatic climate control.

EQE SUV AMG Line Night Edition Premium Plus
Upgrade price from EQE SUV AMG Line Night Edition Premium

OTR from £87,445²
£5,000

¹Downloadable from Mercedes-Benz store ²The recommended on-the-road price includes the Road Fund Licence applicable to the standard model plus delivery charge (£730.00 incl. VAT), new vehicle registration fee (£55.00) and number plates (£25.00 incl. VAT). VAT is calculated at the standard rate of 20%. Some of the model features, optional extras and colours shown may not be available, or may only be available in a different specification, or at a different price

Design	Technology	Safety	Model lines and upholstery	Model prices	Mercedes-AMG and upholstery	Mercedes-AMG prices	Personalisation	Standard equipment	Technical data	Additional information
--------	------------	--------	----------------------------	--------------	-----------------------------	---------------------	-----------------	--------------------	----------------	------------------------

EQE SUV AMG Line Night Edition Premium Plus Standard equipment highlights



Obsidian black shown (standard)



Obsidian black shown (standard)

In addition to/replacement of AMG Line Premium:

Exterior

22" AMG alloy wheels - multi-spoke design, aerodynamically optimised, painted high-gloss black with a high-shine finish (code RPE)

Summer tyres





Interior

- Seats - climatized (front)
- Seats - comfort seats
- Seats - luxury head restraints (front)
- Seats - multi-contour with massage function (front)
- Seats - Seat Heating Plus (front)
- THERMOTRONIC automatic climate control, four-zone

Communications, Safety and Assistance Systems

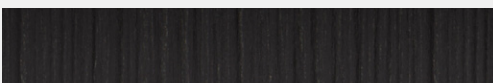
- Dashcam
- Head-up display

Trim and Upholstery

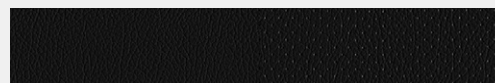
Centre console in black fine-structure look trim



Dashboard in anthracite open-pore linestructure lime wood trim



Leather - black/space grey



Upholstery

● Standard □ No-cost option – Not available



231A Leather¹ – black/space grey

AMG Line Edition	●
AMG Line Night Edition Premium	●
AMG Line Night Edition Premium Plus	–



249A Leather¹ – neva grey/biscay blue

AMG Line Edition	□
AMG Line Night Edition Premium	□
AMG Line Night Edition Premium Plus	–



201A Leather¹ – black/space grey

AMG Line Edition	–
AMG Line Night Edition Premium	–
AMG Line Night Edition Premium Plus	●



209A Leather¹ – neva grey/balao brown

AMG Line Edition	–
AMG Line Night Edition Premium	–
AMG Line Night Edition Premium Plus	□

¹At least 80% of the seat upholstery is pure leather, while up to 20% may consist of man-made leather

Upholstery

No-cost option Not available



211A Leather¹ - black/balao brown

AMG Line Edition	–
AMG Line Night Edition Premium	–
AMG Line Night Edition Premium Plus	<input type="checkbox"/>



219A Leather¹ - neva grey/biscay blue

AMG Line Edition	–
AMG Line Night Edition Premium	–
AMG Line Night Edition Premium Plus	<input type="checkbox"/>



221A Leather¹ - black/biscay blue

AMG Line Edition	–
AMG Line Night Edition Premium	–
AMG Line Night Edition Premium Plus	<input type="checkbox"/>

¹At least 80% of the seat upholstery is pure leather, while up to 20% may consist of man-made leather

[Book a test drive](#)[Find your EQE SUV](#)[Find a Showroom](#)

Model prices

Model line	Powertrain	CO ₂ WLTP ^{1,*}	Basic RRP excl. VAT (£)	Total RRP incl. VAT (£)	Road Fund Licence (£) ² WLTP	Rec. OTR price (£) ³ WLTP	P11D value (£)	BiK tax rate 2024/25(%) ²
AMG Line Edition								
EQE 350+	Battery electric vehicle, 292hp/215kW Electric range up to 376 miles – WLTP ¹	0	62,195.83	74,635.00	0.00	75,445.00	75,390.00	2
EQE 350 4MATIC	Battery electric vehicle, 292hp/215kW Electric range up to 339 miles – WLTP ¹	0	65,945.83	79,135.00	0.00	79,945.00	79,890.00	2
EQE 500 4MATIC	Battery electric vehicle, 408hp/300kW Electric range up to 357 miles – WLTP ¹	0	74,750.00	89,700.00	0.00	90,510.00	90,455.00	2
AMG Line Night Edition Premium								
EQE 350+	Battery electric vehicle, 292hp/215kW Electric range up to 376 miles – WLTP ¹	0	68,029.17	81,635.00	0.00	82,445.00	82,390.00	2
EQE 350 4MATIC	Battery electric vehicle, 292hp/215kW Electric range up to 339 miles – WLTP ¹	0	71,779.17	86,135.00	0.00	86,945.00	86,890.00	2
EQE 500 4MATIC	Battery electric vehicle, 408hp/300kW Electric range up to 357 miles – WLTP ¹	0	79,695.83	95,635.00	0.00	96,445.00	96,390.00	2
AMG Line Night Edition Premium Plus								
EQE 350+	Battery electric vehicle, 292hp/215kW Electric range up to 376 miles – WLTP ¹	0	72,195.83	86,635.00	0.00	87,445.00	87,390.00	2
EQE 350 4MATIC	Battery electric vehicle, 292hp/215kW Electric range up to 339 miles – WLTP ¹	0	75,945.83	91,135.00	0.00	91,945.00	91,890.00	2
EQE 500 4MATIC	Battery electric vehicle, 408hp/300kW Electric range up to 357 miles – WLTP ¹	0	83,862.50	100,635.00	0.00	101,445.00	101,390.00	2

¹The indicated values were determined according to the prescribed measurement method - Worldwide Harmonised Light Vehicle Test Procedure (WLTP). Figures shown may include options which are not available in the UK. Battery Electric Vehicles (BEV) require mains electricity for charging, range figures determined with the battery fully charged. ²Figures shown are for comparability purposes; only compare with other cars tested to the same technical procedures. Figures may not reflect real life driving results, which will depend upon a number of factors including the starting charge of the battery, factory-fitted options, accessories fitted (post registration), variations in weather, driving styles and vehicle load. Further information about the test used to establish range, power consumption and CO₂ figures can be found at <http://www.mercedes-benz.co.uk/WLTP> ³A different first year rate of Vehicle Excise Duty (Road Fund Licence) applies for new cars. Please refer to page 63 for the relevant rate for the second and subsequent years ³The recommended on-road price includes the Road Fund Licence applicable to the standard model plus delivery charge (£730.00 incl. VAT), new vehicle registration fee (£55.00) and number plates (£25.00 incl. VAT). VAT is calculated at the standard rate of 20%. Some of the model features, optional extras and colours shown may not be available, or may only be available in a different specification, or at a different price

Design	Technology	Safety	Model lines and upholstery	Model prices	Mercedes-AMG and upholstery	Mercedes-AMG prices	Personalisation	Standard equipment	Technical data	Additional information
--------	------------	--------	----------------------------	--------------	-----------------------------	---------------------	-----------------	--------------------	----------------	------------------------



Book a test drive



Find your EQE SUV



Find a Showroom

EQE SUV

Mercedes-AMG



AMG



Design	Technology	Safety	Model lines and upholstery	Model prices	Mercedes-AMG and upholstery	Mercedes-AMG prices	Personalisation	Standard equipment	Technical data	Additional information
--------	------------	--------	----------------------------	--------------	-----------------------------	---------------------	-----------------	--------------------	----------------	------------------------

Mercedes-AMG EQE SUV Model lines overview



Mercedes-AMG EQE 53 4MATIC+ Night Edition »



Mercedes-AMG EQE 53 4MATIC+ Night Edition Premium Plus »



Design	Technology	Safety	Model lines and upholstery	Model prices	Mercedes-AMG and upholstery	Mercedes-AMG prices	Personalisation	Standard equipment	Technical data	Additional information
------------------------	----------------------------	------------------------	--	------------------------------	---	-------------------------------------	---------------------------------	------------------------------------	--------------------------------	--

Mercedes-AMG EQE 53 4MATIC+ Night Edition



Cost option shown: high-tech silver metallic (code 922)

Elevating luxury and performance with cutting-edge features

With striking 21" AMG alloy wheels and DIGITAL LIGHT with projection function, the Mercedes-AMG EQE 53 4MATIC+ Night Edition commands attention on the road.

Experience unparalleled agility with AMG ACTIVE RIDE CONTROL suspension and rear axle steering, while indulging in the sophistication of the Mercedes-AMG exterior and interior.

Mercedes-AMG EQE 53 4MATIC+ Night Edition SUV

OTR from £114,945¹

¹The recommended on-the-road price includes the Road Fund Licence applicable to the standard model plus delivery charge (£730.00 incl. VAT), new vehicle registration fee (£55.00) and number plates (£25.00 incl. VAT). VAT is calculated at the standard rate of 20%. Some of the model features, optional extras and colours shown may not be available, or may only be available in a different specification, or at a different price

Design	Technology	Safety	Model lines and upholstery	Model prices	Mercedes-AMG and upholstery	Mercedes-AMG prices	Personalisation	Standard equipment	Technical data	Additional information
--------	------------	--------	----------------------------	--------------	-----------------------------	---------------------	-----------------	--------------------	----------------	------------------------

Mercedes-AMG EQE 53 4MATIC+ Night Edition Standard equipment highlights



Cost option shown: high-tech silver metallic (code 922)

Engine, Transmission and Suspension

AMG ACTIVE RIDE CONTROL suspension system

Rear axle steering (10°)



Cost option shown: high-tech silver metallic (code 922)

Exterior

21" AMG alloy wheels – 5-twin-spoke design, aerodynamically optimised, painted in matt black and with a high-sheen finish (code RWZ)

AMG Night package – with mirror caps, beltline and trim elements in high-gloss black

DIGITAL LIGHT with projection function

Heat-insulating, dark-tinted glass

Mercedes-AMG exterior

Panoramic sliding sunroof

Silver-painted brake callipers with 'AMG' lettering

Summer tyres



Design	Technology	Safety	Model lines and upholstery	Model prices	Mercedes-AMG and upholstery	Mercedes-AMG prices	Personalisation	Standard equipment	Technical data	Additional information
--------	------------	--------	----------------------------	--------------	-----------------------------	---------------------	-----------------	--------------------	----------------	------------------------



Communications, Safety and Assistance Systems

AMG TRACK PACE

Burmester® 3D surround sound system with sound personalisation

Driving Assistance package Plus¹

EASY-PACK electric tailgate

GUARD 360° vehicle protection Plus²

Hyperscreen

Parking package – Active Park Assist¹ and 360° camera

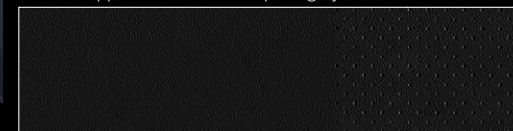
Transparent bonnet

Servicing

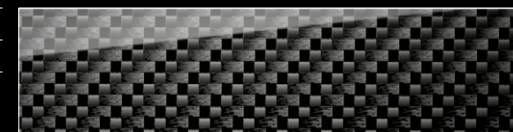
Mercedes-Benz Integrated ServiceCare – the maintenance service covers all necessary maintenance work for 6 years or 90,000 km (56,250 miles)³

Trim and Upholstery

AMG nappa leather – black/space grey



Centre console in carbon fibre



Interior

Active ambient lighting

AMG logo on centre console

AMG Performance steering wheel in nappa leather/
MICROCUT microfibre with AMG buttons

Illuminated door sill panels with 'AMG' lettering

Memory package

Mercedes-AMG interior

MICROCUT roof liner in black

Red top stitching on the dashboard, beltlines, door panel
centre panels and centre console

Seats – four-way lumbar support

Seats – sports seats

THERMATIC two-zone automatic climate control

¹Our driver assistance and safety systems are aids and do not relieve you of your responsibility as the driver. Please take note of the information in the Owner's Manual and the system limits which are described therein of network providers

²The connection of the communication module to the mobile phone network including the emergency call system depends on the respective network coverage and availability

³The Integrated ServiceCare is fully transferrable to a new owner if there is coverage remaining. All EQE SUV models from MY805 onwards will come with Mercedes-Benz Integrated ServiceCare as standard

Design	Technology	Safety	Model lines and upholstery	Model prices	Mercedes-AMG and upholstery	Mercedes-AMG prices	Personalisation	Standard equipment	Technical data	Additional information
--------	------------	--------	----------------------------	--------------	-----------------------------	---------------------	-----------------	--------------------	----------------	------------------------

Mercedes-AMG EQE 53 4MATIC+ Night Edition Premium Plus



No-cost option shown: selenite grey metallic (code 992)

Experience the epitome of luxury and performance

The Mercedes-AMG EQE 53 4MATIC+ Night Edition Premium Plus features striking 22" AMG alloy wheels with red brake callipers with 'AMG' lettering as well as the exclusive AMG Night package II. Indulge in a luxurious driving experience with the Acoustic Comfort package,

complemented by the superior grip of the heated AMG Performance steering wheel in carbon fibre/MICROCUT microfibre.

Mercedes-AMG EQE 53 4MATIC+ Night Edition Premium Plus SUV OTR from £124,945¹

¹The recommended on-the-road price includes the Road Fund Licence applicable to the standard model plus delivery charge (£730.00 incl. VAT), new vehicle registration fee (£55.00) and number plates (£25.00 incl. VAT). VAT is calculated at the standard rate of 20%. Some of the model features, optional extras and colours shown may not be available, or may only be available in a different specification, or at a different price

Design	Technology	Safety	Model lines and upholstery	Model prices	Mercedes-AMG and upholstery	Mercedes-AMG prices	Personalisation	Standard equipment	Technical data	Additional information
--------	------------	--------	----------------------------	--------------	-----------------------------	---------------------	-----------------	--------------------	----------------	------------------------

Mercedes-AMG EQE 53 4MATIC+ Night Edition Premium Plus

Std. equipment highlights



No-cost option shown: selenite grey metallic (code 992)



No-cost option shown: selenite grey metallic (code 992)

In addition to/replacement of Mercedes-AMG EQE 53 4MATIC+ Night Edition:

Exterior

22" AMG alloy wheels – multi-spoke design, painted in matt black with a high-sheen finish (code RPF)

Aluminium-look, illuminated running boards with rubber studs

AMG Night Package II – typography, radiator grille and Mercedes star on the rear in black chrome

Heated windscreen

Heat-insulating, noise-insulating and infrared-reflecting laminated glass

Heated windscreen washer system

Red-painted brake callipers with 'AMG' lettering

Summer tyres

Surround lighting with projection of the AMG pattern

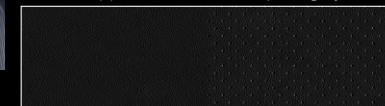


Design	Technology	Safety	Model lines and upholstery	Model prices	Mercedes-AMG and upholstery	Mercedes-AMG prices	Personalisation	Standard equipment	Technical data	Additional information
--------	------------	--------	----------------------------	--------------	-----------------------------	---------------------	-----------------	--------------------	----------------	------------------------

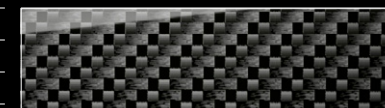


Trim and Upholstery

AMG nappa leather – black/space grey



Centre console in carbon fibre



Interior

Acoustic Comfort package – for an extraordinarily calm vehicle interior: special glass membranes, reinforced felts and additional insulation effectively help to reduce disruptive exterior noise

AMG Performance steering wheel in carbon fibre/MICROCUT microfibre

Dashcam

Head-up display

Heated steering wheel

Heated rear seats

Pull-out sun visors

THERMOTRONIC four-zone automatic climate control

Design	Technology	Safety	Model lines and upholstery	Model prices	Mercedes-AMG and upholstery	Mercedes-AMG prices	Personalisation	Standard equipment	Technical data	Additional information
--------	------------	--------	----------------------------	--------------	-----------------------------	---------------------	-----------------	--------------------	----------------	------------------------



Mercedes-AMG upholstery

Standard
 No-cost option



851A AMG nappa leather¹ – black/space grey

- Mercedes-AMG EQE 53 4MATIC+ Night Edition
- Mercedes-AMG EQE 53 4MATIC+ Night Edition Premium Plus



859A AMG nappa leather¹ – neva grey/biscay blue

- Mercedes-AMG EQE 53 4MATIC+ Night Edition
- Mercedes-AMG EQE 53 4MATIC+ Night Edition Premium Plus



861A AMG nappa leather¹ – black/balao brown

- Mercedes-AMG EQE 53 4MATIC+ Night Edition
- Mercedes-AMG EQE 53 4MATIC+ Night Edition Premium Plus

¹100% of seat upholstery is pure leather

Design	Technology	Safety	Model lines and upholstery	Model prices	Mercedes-AMG and upholstery	Mercedes-AMG prices	Personalisation	Standard equipment	Technical data	Additional information
--------	------------	--------	----------------------------	--------------	-----------------------------	---------------------	-----------------	--------------------	----------------	------------------------



Book a test drive



Find your EQE SUV



Find a Showroom

Become the AMG expert

Unleash a new level of performance.



Step into the world of performance and experience the AMG brand at Mercedes-Benz World – from the powerful sound of the engines to the smell of the leather to the unmistakable design of our vehicles.

Mercedes-Benz World invites all Mercedes-AMG customers to a complimentary adrenaline-packed driving experience. Feel the sensational AMG driving performance, develop your driving skills and even try your hand at power-sliding on the Wet Skid Circle. With expert one-to-one guidance from a Driving Specialist in the passenger seat, experience every inch of our Handling Circuits, Dynamic Straight and low friction surfaces.

[Click here for more information](#)



TERMS AND CONDITIONS

The following customers only are eligible: The first purchaser/registered keeper of a newly registered Mercedes-AMG. The complimentary training must be booked and taken within 12 months of email receipt. The training is available Monday - Friday only (excluding bank holidays) and subject to availability. Upgrades are available for an additional cost, details upon request. Transferable to individuals who reside at the same postal address only. Mercedes-Benz UK Limited reserves the right to amend or withdraw this training experience. Attendees must hold a full UK driving licence. Attendees will be required to sign the Mercedes-Benz World Driving Risk Acknowledgement prior to undertaking the training experience.

The training experience is also subject to the Mercedes-Benz World Terms and Conditions, as applicable. Retailer demonstrator vehicles are not eligible.

Design	Technology	Safety	Model lines and upholstery	Model prices	Mercedes-AMG and upholstery	Mercedes-AMG prices	Personalisation	Standard equipment	Technical data	Additional information
--------	------------	--------	----------------------------	--------------	-----------------------------	---------------------	-----------------	--------------------	----------------	------------------------

[Book a test drive](#)[Find your EQE SUV](#)[Find a Showroom](#)

Mercedes-AMG prices



Model line	Powertrain	CO ₂ WLTP ^{1,*}	Basic RRP excl. VAT (£)	Total RRP incl. VAT (£)	Road Fund Licence (£) ² WLTP	Rec. OTR price (£) ³ WLTP	P11D value (£)	BiK tax rate 2024/25 (%) ²
Mercedes-AMG EQE 53 4MATIC+ Night Edition	Battery electric vehicle, 617 hp/460 kW Electric range up to 280 miles – WLTP ¹	0	95,112.50	114,135.00	0.00	114,945.00	114,890.00	2
Mercedes-AMG EQE 53 4MATIC+ Night Edition Premium Plus	Battery electric vehicle, 617 hp/460 kW Electric range up to 260 miles – WLTP ¹	0	103,445.83	124,135.00	0.00	124,945.00	124,890.00	2

¹The indicated values were determined according to the prescribed measurement method - Worldwide Harmonised Light Vehicle Test Procedure (WLTP). Figures shown may include options which are not available in the UK. Battery Electric Vehicles (BEV) require mains electricity for charging, range figures determined with the battery fully charged. ²Figures shown are for comparability purposes; only compare with other cars tested to the same technical procedures. Figures may not reflect real life driving results, which will depend upon a number of factors including the starting charge of the battery, factory-fitted options, accessories fitted (post registration), variations in weather, driving styles and vehicle load. Further information about the test used to establish range, power consumption and CO₂ figures can be found at <http://www.mercedes-benz.co.uk/WLTP> ³A different first year rate of Vehicle Excise Duty (Road Fund Licence) applies for new cars. Please refer to page 63 for the relevant rate for the second and subsequent years ³The recommended on-the-road price includes the Road Fund Licence applicable to the standard model plus delivery charge (£730.00 incl. VAT), new vehicle registration fee (£55.00) and number plates (£25.00 incl. VAT). VAT is calculated at the standard rate of 20%. Some of the model features, optional extras and colours shown may not be available, or may only be available in a different specification, or at a different price

Design	Technology	Safety	Model lines and upholstery	Model prices	Mercedes-AMG and upholstery	Mercedes-AMG prices	Personalisation	Standard equipment	Technical data	Additional information
--------	------------	--------	----------------------------	--------------	-----------------------------	---------------------	-----------------	--------------------	----------------	------------------------

Colour options

Standard No-cost option

Total prices incl. VAT



197 obsidian black metallic



922 high-tech silver metallic



885 MANUFAKTUR opalite white bright metallic

£695



799 velvet brown metallic



989 emerald green metallic



956 MANUFAKTUR alpine grey solid

£695



842 sodalite blue metallic



992 selenite grey metallic



Please note that, owing to limitations of on-screen representation, paint colours may differ from those shown

Design	Technology	Safety	Model lines and upholstery	Model prices	Mercedes-AMG and upholstery	Mercedes-AMG prices	Personalisation	Standard equipment	Technical data	Additional information
--------	------------	--------	----------------------------	--------------	-----------------------------	---------------------	-----------------	--------------------	----------------	------------------------

Luxury Interior package

Indulge in ultimate comfort with the Luxury Interior package, featuring comfort seats, heated rear seats, a heated steering wheel, and opulent quilted nappa leather upholstery, ensuring a cozy and sophisticated ride.

Luxury Interior package (code DLI) – designed and priced as a package, including items as listed.

Available on AMG Line Night Edition Premium and AMG Line Night Edition Premium Plus only

Total incl. VAT £3,500.00

Consisting of:

Acoustic Comfort package – laminated glass for front and side windows and additional insulation

Comfort seats

Heated rear seats

Heated steering wheel

Heated windscreen

Luxury head restraints front

MANUFAKTUR microfibre roof liner in black (neva grey fabric only in conjunction with nappa leather in balao brown/neva grey (code 814A))

Quilted nappa leather upholstery



801A Nappa leather¹ – black/space grey



804A Nappa leather¹ – black/balao brown



814A Nappa leather¹ – balao brown/neva grey



821A Nappa leather¹ – black/biscay blue

¹100% of seat upholstery is pure leather

Towing package

The Towing package offers an electronically folding tow bar which increases the towing capacity up to 1,800 kg.

Towing package (code 550) - designed and priced as a package, including items as listed.

Available on all models

Total incl. VAT £1,500.00

Consisting of:

Control button with LED light in the tailgate

Electrically folding trailer hitch, stows behind the bumper when not in use

Increased towing capacity - max. 1,800 kg



[Book a test drive](#)[Find your EQE SUV](#)[Find a Showroom](#)

Hyperscreen package

Enhance your interior with an impressive design feature. As if cast from a single mould, three displays seamlessly blend together beneath a glass panel to create one large MBUX hyperscreen. Brilliant OLED technology enhances your display comfort, while the haptic feedback helps to simplify input on the touchscreen.

Hyperscreen package (code PAG) – designed and priced as a package.

Available on AMG Line Night Edition Premium and AMG Line Night Edition Premium Plus only

Total incl. VAT £5,000.00

Standard on EQE 500 4MATIC, Mercedes-AMG EQE 53 4MATIC+ Night Edition and Mercedes-AMG EQE 53 4MATIC+ Night Edition Premium Plus; not available on EQE 350+ 4MATIC AMG Line Edition and EQE 350 4MATIC AMG Line Edition

Consisting of:

12.3-inch OLED display for the front passenger provides them with their very own display and control area

Bright OLED displays with haptic feedback and innovative zero-layer interface

Fingerprint scanner

12.3-inch OLED driver's display and 17.7-inch OLED central media display



Design	Technology	Safety	Model lines and upholstery	Model prices	Mercedes-AMG and upholstery	Mercedes-AMG prices	Personalisation	Standard equipment	Technical data	Additional information
--------	------------	--------	----------------------------	--------------	-----------------------------	---------------------	-----------------	--------------------	----------------	------------------------



Standard equipment

● Standard – Not available

Battery and Charging

	AMG Line Night Edt. Premium Plus	AMG Line Night Edt. Premium	AMG Line Edition
22 kW AC on-board charger	●	●	●
170 kW DC on-board charger	●	●	●
Charging cable – Mode 3 cable (5 metres), Type 2, enables you to charge the vehicle battery via the wallbox or at public charging stations	●	●	●
Electrically opening vehicle socket flap	●	●	●

Steering, Transmission and Suspension

	AMG Line Night Edt. Premium Plus	AMG Line Night Edt. Premium	AMG Line Edition
Adaptive damping system	●	●	●
AIRMATIC air suspension struts with integrated adaptive damping system at the front and rear axle – automatic level control system, depending on load: load detection for a constant suspension level. Suspension level can be raised for rough roads and is automatically lowered at high speeds, MBUX can remember these actions and suggest them when arriving at the same location	●	●	●
DYNAMIC SELECT	●	●	●
Multifunction sports steering wheel in nappa leather	●	●	●

Exterior

	AMG Line Night Edt. Premium Plus	AMG Line Night Edt. Premium	AMG Line Edition
Acoustic presence indicator	●	●	●
Aluminium-look, illuminated running boards with rubber studs	–	●	●
Ambient lighting with projection of brand logo	●	●	●
AMG Line exterior	●	●	●

AMG Line Night Edt. Premium Plus
 AMG Line Night Edt. Premium
 AMG Line Edition

	AMG Line Night Edt. Premium Plus	AMG Line Night Edt. Premium	AMG Line Edition
HANDS-FREE ACCESS	●	●	●
Headlamps – Adaptive Highbeam Assist	●	–	–
Headlamps – Adaptive Highbeam Assist Plus	–	●	●
Headlamps – DIGITAL LIGHT with pre-installation for projection function ¹	–	●	●
Headlamps – static LED headlamps	●	–	–
Heat-insulating, dark-tinted glass	●	●	●
Identification label under windshield	●	●	●
Mirror package – electrically-folding exterior mirrors	●	●	●
Night package	–	●	●
Panoramic sliding sunroof	–	●	●
Radiator grille with Mercedes-Benz star pattern	●	●	●

Wheels

	AMG Line Night Edt. Premium Plus	AMG Line Night Edt. Premium	AMG Line Edition
21" AMG alloy wheels – multi-spoke design, aerodynamically optimised, painted high-gloss black with a high-sheen finish, 265/40 R21 tyres (code RWX)	●	●	–
22" AMG alloy wheels – multi-spoke design, aerodynamically optimised, painted high-gloss black with a high-sheen finish, 265/35 R22 tyres (code RPE)	–	–	●
Noise reduced tyre with foam absorber	●	●	●
Summer tyres	●	●	●

¹Downloadable from Mercedes-Benz store

[Book a test drive](#)[Find your EQE SUV](#)[Find a Showroom](#)

Standard equipment

● Standard – Not available

Interior

	AMG Line Night Edt. Premium Plus	AMG Line Night Edt. Premium	AMG Line Edition
Active ambient lighting	–	●	●
Ambient lighting Plus	●	●	●
AMG Line interior	●	●	●
Automatically dimming rear view mirror	●	●	●
EASY-PACK load compartment cover	●	●	●
ENERGIZING AIR CONTROL Plus	●	●	●
Fingerprint scanner – colour-illuminated fingerprint scanner in the trim strip below the OLED media display, two fingerprints per user can be stored, quick access replaces PIN entry, protects personal data such as profiles plus office and payment functions	●	●	●
Flex bottleholder	●	●	●
Floor mats – AMG	●	●	●
Illuminated door sill panels with 'Mercedes-Benz' lettering	●	●	●
KEYLESS-GO Comfort package	●	●	●
Memory package – electrical adjustment and memory function for front seats, steering wheel, outside mirror, heated areas of the seat cushion and seat backrest, head-up display (where fitted), four-way front lumbar support and seat cushion length. Includes PRE-SAFE® positioning function for front passenger seat	●	●	●
Mirror package	●	●	●
Partition net (not in conjunction with Luxury Interior package, code DLI)	●	●	●
Power windows with one-touch closing	●	●	●
Seats – four-way lumbar support	●	●	–
Seats – climatised (front)	–	–	●

	AMG Line Night Edt. Premium Plus	AMG Line Night Edt. Premium	AMG Line Edition
Seats – comfort seats	–	–	●
Seats – folding seats backrests (rear)	●	●	●
Seats – heated (front)	●	●	–
Seats – luxury head restraints (front)	–	–	●
Seats – multi-contour with massage function (front)	–	–	●
Seats – Seat Heating Plus (front)	–	–	●
Seats – sports seats	●	●	–
Stowage compartment beneath centre console	●	●	●
THERMATIC two-zone automatic climate control	●	●	–
THERMOTRONIC four-zone automatic climate control	–	–	●
Widescreen cockpit	●	●	●

Paint, Trim and Upholstery

Paint – metallic	●	●	●
Roof lining – black fabric	●	●	●
Trim – black fine-structure look	●	●	●
Trim – centre console in anthracite open-pore linestructure lime wood (only in conjunction with MBUX Hyperscreen)	●	●	●
Trim – dashboard in anthracite open-pore linestructure lime wood	●	●	●
Upholstery – leather	●	●	●

[Book a test drive](#)[Find your EQE SUV](#)[Find a Showroom](#)

Standard equipment

● Standard – Not available

Safety and Assistance Systems

	AMG Line Night Edt. Premium Plus	AMG Line Night Edt. Premium	AMG Line Edition
Active Lane Keeping Assist ¹	●	●	●
Active Speed Limit Assist ¹	–	●	●
Anti-theft alarm system	●	●	●
Airbags – centre airbag	●	●	●
Airbag – kneebag for driver	●	●	●
Airbags – sidebag for driver and front	●	●	●
Airbags – windowbags	●	●	●
Blind Spot Assist	●	●	●
DISTRONIC PLUS	●	–	–
Driving Assistance package Plus ¹	–	●	●
EASY-PACK electric tailgate	●	●	●
Evasive Manoeuvre Support	●	●	●
Fluorescent jacket for driver	●	●	●
Front passenger seat with seat occupancy sensor	●	●	●
GUARD 360° vehicle protection Plus ² – anti-theft protection hardware including alarm and immobilizer. Theft notification and park damage detection ³ , stolen vehicle locator ³ , 360° surroundview-camera snapshots ³ and remote key immobilizer ³	●	●	●
Increased anti-theft protection	●	●	●
Interior monitoring system	●	●	●
Mercedes-Benz Emergency Call System ⁴	●	●	●

	AMG Line Night Edt. Premium Plus	AMG Line Night Edt. Premium	AMG Line Edition
Parking – Active Park Assist ¹ with PARKTRONIC and 360° camera	–	●	●
Parking – Active Park Assist ¹ with PARKTRONIC and reversing camera	●	–	–
PRESAFE® system	●	●	●
Speed Limit Assist	●	–	–
TIREFIT with tyre inflation compressor	●	●	●
Traffic Sign Assist	–	●	●
Transparent bonnet (not available for EQE 350+)	–	●	●
Tyre pressure monitoring and loss warning system	●	●	●

Communications and In-Car Entertainment

	AMG Line Night Edt. Premium Plus	AMG Line Night Edt. Premium	AMG Line Edition
5G communications module ²	●	●	●
12.3-inch central display	●	●	●
Dashcam	–	–	●
Digital Extras (standard services) ² – emergency call system (eCall) ⁴ , accident recovery, breakdown management and maintenance management	●	●	●
Digital radio	●	●	●
Digital TV tuner	–	●	●
Extended MBUX functions	●	●	●
Head-up display	–	–	●
Owner's manual and service information – English	●	●	●

¹Our driver assistance and safety systems are aids and do not relieve you of your responsibility as the driver. Please take note of the information in the Owner's Manual and the system limits which are described therein of network providers ²Free of charge for three years from activation ³Please be aware Mercedes-Benz emergency call system comes as standard for the first 10 years of the vehicle's lifecycle

⁴The connection of the communication module to the mobile phone network including the emergency call system depends on the respective network coverage and availability

[Book a test drive](#)[Find your EQE SUV](#)[Find a Showroom](#)

Standard equipment

● Standard – Not available

Communications and In-Car Entertainment (continued)

	AMG Line Night Edt. Premium Plus	AMG Line Night Edt. Premium	AMG Line Edition
MBUX augmented reality for navigation	–	●	●
MBUX Hyperscreen (EQE 500 only)	●	●	●
MBUX multimedia system	●	●	●
MBUX Navigation Premium with Live Traffic ¹	●	●	●
Pre-installation for digital key transfer ¹	●	●	●
Pre-installation for MBUX Entertainment Plus	●	●	●
Pre-installation for remote and navigation services ¹	●	●	●
Remote and Charging Services Premium	●	●	●
Smartphone integration ² including Apple CarPlay® and Android Auto™	●	●	●
Sound personalisation	–	●	●
Sound system – Burmester® 3D surround sound system	–	●	●
Sound system – Mercedes-Benz advanced sound system	●	–	–
USB package Plus	●	●	●
Wireless charging ² for mobile devices (front)	●	●	●

Services

Mercedes-Benz Integrated ServiceCare – the maintenance service covers all necessary maintenance work for 6 years or 90,000 km (56,250 miles)³

● ● ●

¹The connection of the communication module to the mobile phone network including the emergency call system depends on the respective network coverage and availability of network providers coverage remaining. All EQE SUV models from MY805 onwards will come with Mercedes-Benz Integrated ServiceCare as standard

²Compatible smartphone required. For further details please visit <https://www.mercedes-benz-mobile.com/>

³The Integrated ServiceCare is fully transferrable to a new owner if there is

[Book a test drive](#)[Find your EQE SUV](#)[Find a Showroom](#)

Standard equipment Mercedes-AMG

● Standard – Not available

Battery and Charging

	Night Edition Premium Plus	Night Edition
22 kW AC on-board charger	●	●
170 kW DC on-board charger	●	●
Charging cable – Mode 3 cable (5 metres), Type 2, enables you to charge the vehicle battery via the wallbox or at public charging stations	●	●
Electrically opening vehicle socket flap	●	●

Steering, Transmission and Suspension

Adaptive Damping System	●	●
AMG ACTIVE RIDE CONTROL suspension system	●	●
DYNAMIC SELECT	●	●
Steering – 10° rear axle steering	●	●
Steering wheel – AMG buttons	●	●
Steering wheel – AMG Performance steering wheel in carbon fibre/MICROCUT microfibre	–	●
Steering wheel – AMG Performance steering wheel in nappa leather/MICROCUT microfibre	●	–
Steering wheel – heated	–	●

Exterior

Acoustic presence indicator	●	●
Aluminium-look, illuminated running boards with rubber studs	–	●
Ambient lighting with projection of brand logo	●	●
AMG Night package – with mirror caps, beltline and trim elements in high-gloss black	●	●
AMG Night package II – typography, radiator grille and Mercedes star on the rear in black chrome	–	●
AMG-specific black panel radiator grille with chrome vertical struts	●	●

	Night Edition Premium Plus	Night Edition
Brakes – red-painted brake callipers with 'AMG' lettering	–	●
Brakes – silver-painted brake callipers with 'AMG' lettering	●	–
Electrically folding exterior mirrors	●	●
Hands-free access	●	●
Headlamps – Adaptive Highbeam Assist Plus	●	●
Headlamps – DIGITAL LIGHT with projection function	●	●
Heat-insulating, dark-tinted glass	●	–
Heat-insulating, noise-insulating and infrared-reflecting laminated glass	–	●
Heated windscreen	–	●
Heated windscreen washer system	–	●
Identification label under windshield	●	●
Mercedes-AMG exterior	●	●
Mirror package – electrically-folding exterior mirrors	●	●
Panoramic sliding sunroof	●	●
Surround lighting with projection of the AMG pattern	–	●

Wheels

21" AMG alloy wheels – 5-twin-spoke design, aerodynamically optimised, painted in matt black and with a high-sheen finish, 275/40 R21 tyres (code RWZ)	●	–
22" AMG alloy wheels – multi-spoke design, painted in matt black with a high-sheen finish, 275/40 R22 tyres (code RPF)	–	●
Noise reduced tyre with foam absorber	●	●
Summer tyres	●	●

[Book a test drive](#)[Find your EQE SUV](#)[Find a Showroom](#)

Standard equipment Mercedes-AMG

● Standard – Not available

Interior

	Night Edition Premium Plus	Night Edition
Acoustic Comfort package – for an extraordinarily calm vehicle interior: special glass membranes, reinforced felts and additional insulation effectively help to reduce disruptive exterior noise	–	●
Active ambient lighting	●	●
Ambient lighting Plus	●	●
AMG logo on centre console	●	●
Automatically dimming rear view mirror	●	●
EASY-PACK load compartment cover	●	●
ENERGIZING AIR CONTROL Plus	●	●
Fingerprint scanner – colour-illuminated fingerprint scanner in the trim strip below the OLED media display, two fingerprints per user can be stored, quick access replaces PIN entry, protects personal data such as profiles plus office and payment functions	●	●
Flex bottleholder	●	●
Floor mats – AMG	●	●
Illuminated door sill panels with 'AMG' lettering	●	●
KEYLESS-GO Comfort package	●	●
Memory package – electrical adjustment and memory function for front seats, steering wheel, outside mirror, heated areas of the seat cushion and seat backrest, head-up display (where fitted), four-way front lumbar support and seat cushion length. Includes PRE-SAFE® positioning function for front passenger seat	●	●
Mercedes-AMG interior	●	●
Partition net (not in conjunction with Luxury Interior package, code DLI)	●	●

	Night Edition Premium Plus	Night Edition
Power windows with one touch closing	●	●
Pull-out sun visors	–	●
Red top stitching on the dashboard, beltlines, door panel centre panels and centre console	●	●
Seats – climatized (front)	●	●
Seats – folding seats backrests (rear)	●	●
Seats – four-way lumbar support	●	●
Seats – heated (rear)	–	●
Seats – sports seats	●	●
Stowage compartment beneath centre console	●	●
THERMATIC two-zone automatic climate control	●	–
THERMOTRONIC four-zone automatic climate control	–	●
Widescreen cockpit	●	●

Paint, Trim and Upholstery

Paint – metallic	●	●
Roof lining – black MICROCUT microfibre	●	●
Trim – centre console in carbon fibre	●	●
Upholstery – AMG nappa leather	●	●

¹Our driver assistance and safety systems are aids and do not relieve you of your responsibility as the driver. Please take note of the information in the Owner's Manual and the system limits which are described therein

²Free of charge for three years from activation

³Compatible smartphone required. For further details please visit <https://www.mercedes-benz-mobile.com/>

[Book a test drive](#)[Find your EQE SUV](#)[Find a Showroom](#)

Standard equipment Mercedes-AMG

● Standard – Not available

Safety and Assistance Systems

	Night Edition Premium Plus	Night Edition
Active Lane Keeping Assist	●	●
Active Speed Limit Assist	●	●
Anti-theft alarm system	●	●
Airbags – centre airbag	●	●
Airbag – kneebag for driver	●	●
Airbags – sidebag for driver and front	●	●
Airbags – windowbags	●	●
Blind Spot Assist	●	●
Driving Assistance package Plus ¹	●	●
EASY-PACK electric tailgate	●	●
Evasive Manoeuvre Support	●	●
Fluorescent jacket for driver	●	●
Front passenger seat with seat occupancy sensor	●	●
GUARD 360° vehicle protection Plus ² – anti-theft protection hardware including alarm and immobilizer. Theft notification and park damage detection ³ , stolen vehicle locator ³ , 360° surroundview-camera snapshots ³ and remote key immobilizer ³	●	●
Increased anti-theft protection	●	●
Interior monitoring system	●	●
Mercedes-Benz Emergency Call System ⁴	●	●
Parking package – Active Park Assist ¹ and 360° camera	●	●

PRESAFE® system	●	●
TIREFIT with tyre inflation compressor	●	●
Traffic Sign Assist	●	●
Transparent bonnet	●	●
Tyre pressure monitoring and loss warning system	●	●

Communications and In-Car Entertainment

5G communications module ²	●	●
AMG Track Pace	●	●
Dashcam	–	●
Digital Extras (standard services) ² – emergency call system (eCall) ⁴ , accident recovery, breakdown management and maintenance management	●	●
Digital radio	●	●
Digital TV tuner	●	●
Extended MBUX functions	●	●
Head-up display	–	●
Owner's manual and service information – English	●	●
MBUX augmented reality for navigation	●	●
MBUX Hyperscreen	●	●
MBUX multimedia system	●	●

¹Our driver assistance and safety systems are aids and do not relieve you of your responsibility as the driver. Please take note of the information in the Owner's Manual and the system limits which are described therein of network providers ²Free of charge for three years from activation ³Please be aware Mercedes-Benz emergency call system comes as standard for the first 10 years of the vehicle's lifecycle

⁴The connection of the communication module to the mobile phone network including the emergency call system depends on the respective network coverage and availability



Book a test drive



Find your EQE SUV



Find a Showroom

Standard equipment Mercedes-AMG

● Standard – Not available

Communications and In-Car Entertainment (continued)

	Night Edition Premium Plus	Night Edition
MBUX Navigation Premium with Live Traffic ¹	●	●
Pre-installation for digital key transfer ¹	●	●
Pre-installation for MBUX Entertainment Plus	●	●
Pre-installation for remote and navigation services ¹	●	●
Remote and Charging Services Premium	●	●
Smartphone integration ² including Apple CarPlay® and Android Auto™	●	●
Sound personalisation	●	●
Sound system – Burmester® 3D surround sound system	●	●
USB package Plus	●	●
Wireless charging ² for mobile devices (front)	●	●

Services

	Night Edition Premium Plus	Night Edition
Mercedes-Benz Integrated ServiceCare – the maintenance service covers all necessary maintenance work for 6 years or 90,000 km (56,250 miles) ³	●	●

¹The connection of the communication module to the mobile phone network including the emergency call system depends on the respective network coverage and availability of network providers coverage remaining. All EQE SUV models from MY805 onwards will come with Mercedes-Benz Integrated ServiceCare as standard

²Compatible smartphone required. For further details please visit <https://www.mercedes-benz-mobile.com/>

³The Integrated ServiceCare is fully transferrable to a new owner if there is

[Book a test drive](#)[Find your EQE SUV](#)[Find a Showroom](#)

Technical data

- Standard

Model	EQE 350+	EQE 350 4MATIC	EQE 500 4MATIC	Mercedes-AMG EQE 53 4MATIC+
Motor				
Battery type	lithium-ion high-voltage	lithium-ion high-voltage	lithium-ion high-voltage	lithium-ion high-voltage
Electric motor type	asynchronous	asynchronous	asynchronous	asynchronous
Battery capacity	kWh 96	91	96	91
Power ¹	hp (kW) 288 (215)	288 (215)	402 (300)	617 (460)
Torque ¹	Nm at rpm 565/3,559	765/2,662	858/3,337	950/4,639
On-board charger	kW 22 kW AC; 170 kW DC	22 kW AC; 170 kW DC	22 kW AC; 170 kW DC	22 kW AC; 170 kW DC
Emissions standard	Euro 6e	Euro 6e	Euro 6e	Euro 6e

Transmission				
Single-speed automatic	●	●	●	●

Performance					
Acceleration 0–62 mph	sec	6.9	6.6	5.0	3.7
Top speed	mph	130	130	130	137
Charging time					
Public Rapid charger (170 kW DC) 10–80% ²		32 mins	32 mins	32 mins	32 mins
Wallbox (22 kW AC) 10–100% ³		5 hrs 15 mins	4 hrs 45 mins	5 hrs 15 mins	4 hrs 45 mins
Home Wallbox (7.4 kW AC) ⁴		15 hrs	14 hrs 15 mins	15 hrs	14 hrs 30 mins
Electric energy consumption, combined ^{4,5}	Wh/km	177–211	183–222	184–222	231–254
Electric range – WLTP ⁴	miles	329–390	293–352	314–375	255–282

¹Figures according to Regulation (EC) No. 595/2009 in the currently applicable version ²Specified voltage and current values refer to network infrastructure and can be limited by the vehicle. Times are from 10–80% charge using public rapid charging at 170 kW ³Specified voltage and current values refer to network infrastructure and can be limited by the vehicle. Times are from 10–100% charge using a wallbox (three-phase) or standard socket (single-phase) ⁴Figures shown are for comparability purposes; only compare with other cars tested to the same technical procedures. Figures may not reflect real life driving results, which will depend upon a number of factors including the starting charge of the battery, factory-fitted options, accessories fitted (post registration), variations in weather, driving styles and vehicle load. Further information about the test used to establish range, power consumption and CO₂ figures can be found at <http://www.mercedes-benz.co.uk/WLTP> ⁵Specified voltage and current values refer to network infrastructure and can be limited by the vehicle

[Book a test drive](#)[Find your EQE SUV](#)[Find a Showroom](#)

Technical data

Model		EQE 350+	EQE 350 4MATIC	EQE 500 4MATIC	Mercedes-AMG EQE 53 4MATIC+
Weights and capacities					
Kerb weight ⁶	kg	2,490	2,560	2,610	2,690
Perm. Gross Vehicle Weight	kg	2,995	3,115	3,115	3,195
Boot capacity – seats up/down	l	520/1,675	520/1,675	520/1,675	520/1,675
Turning circle	m	12.30	12.30	12.30	10.99
Insurance					
All variants		tba	tba	tba	tba
Insurance ratings may vary depending on model line and specification.					

⁶Mass of the vehicle in running order with at least 90% full fuel tank, plus the mass of the driver (estimated by law at 75 kg), fuel and fluids, equipped with the standard equipment as specified by the manufacturer as well as, where applicable, the mass of the body, cab, trailer coupling and spare wheel(s) as well as tools. Optional extras, additional equipment and accessories can influence the weight, residual payload, rolling resistance, aerodynamics, etc., and therefore also affect the consumption/CO₂ values

[Book a test drive](#)[Find your EQE SUV](#)[Find a Showroom](#)

Electric range and consumption

	Energy Consumption – combined (Wh/km) ^{1,2}	All Electric Range (km) ²	All Electric Range (miles) ²
EQE 350+ AMG Line Edition	185	605	376
EQE 350+ AMG Line Edition + Towing package	187	598	372
EQE 350+ AMG Line Night Edition Premium	189	592	368
EQE 350+ AMG Line Night Edition Premium + Towing package	193	582	362
EQE 350+ AMG Line Night Edition Premium + Hyperscreen package	190	591	367
EQE 350+ AMG Line Night Edition Premium + Luxury Interior package	189	591	367
EQE 350+ AMG Line Night Edition Premium + Hyperscreen + Luxury Interior package	190	590	367
EQE 350+ AMG Line Night Edition Premium + Hyperscreen + Towing package	193	581	361
EQE 350+ AMG Line Night Edition Premium + Luxury Interior + Towing package	193	581	361
EQE 350+ AMG Line Night Edition Premium + Luxury Interior + Towing + Hyperscreen package	194	580	360
EQE 350+ AMG Line Night Edition Premium Plus	202	557	346
EQE 350+ AMG Line Night Edition Premium Plus + Towing package	205	548	341
EQE 350+ AMG Line Night Edition Premium Plus + Hyperscreen package	202	556	346
EQE 350+ AMG Line Night Edition Premium Plus + Luxury Interior package	202	556	346
EQE 350+ AMG Line Night Edition Premium Plus + Hyperscreen + Luxury package	202	555	345
EQE 350+ AMG Line Night Edition Premium Plus + Hyperscreen + Towing package	205	547	340
EQE 350+ AMG Line Night Edition Premium Plus + Luxury Interior + Towing package	205	547	340
EQE 350+ AMG Line Night Edition Premium Plus + Luxury Interior + Towing + Hyperscreen package	205	546	339

¹Specified voltage and current values refer to network infrastructure and can be limited by the vehicle fitted (post registration), variations in weather, driving styles and vehicle load.

²Figures shown are for comparability purposes; only compare with other cars tested to the same technical procedures. Figures may not reflect real life driving results, which will depend upon a number of factors including the starting charge of the battery, factory-fitted options, accessories

Further information about the test used to establish range, power consumption and CO₂ figures can be found at <http://www.mercedes-benz.co.uk/WLTP>

[Book a test drive](#)[Find your EQE SUV](#)[Find a Showroom](#)

Electric range and consumption (continued)

	Energy Consumption – combined (Wh/km) ^{1,2}	All Electric Range (km) ²	All Electric Range (miles) ²
EQE 350 4MATIC AMG Line Edition	191	546	339
EQE 350 4MATIC AMG Line Edition + Towing package	194	539	335
EQE 350 4MATIC AMG Line Night Edition Premium	196	534	332
EQE 350 4MATIC AMG Line Night Edition Premium + Towing package	200	524	326
EQE 350 4MATIC AMG Line Night Edition Premium + Hyperscreen package	197	533	331
EQE 350 4MATIC AMG Line Night Edition Premium + Luxury Interior package	196	533	331
EQE 350 4MATIC AMG Line Night Edition Premium + Hyperscreen + Luxury Interior package	197	532	331
EQE 350 4MATIC AMG Line Night Edition Premium + Hyperscreen + Towing package	200	523	325
EQE 350 4MATIC AMG Line Night Edition Premium + Luxury Interior + Towing package	200	524	326
EQE 350 4MATIC AMG Line Night Edition Premium + Luxury Interior + Towing + Hyperscreen package	201	523	325
EQE 350 4MATIC AMG Line Night Edition Premium Plus	210	499	310
EQE 350 4MATIC AMG Line Night Edition Premium Plus + Towing package	213	492	306
EQE 350 4MATIC AMG Line Night Edition Premium Plus + Hyperscreen package	211	498	310
EQE 350 4MATIC AMG Line Night Edition Premium Plus + Luxury Interior package	211	499	310
EQE 350 4MATIC AMG Line Night Edition Premium Plus + Hyperscreen package + Luxury Interior package	211	498	310
EQE 350 4MATIC AMG Line Night Edition Premium Plus + Hyperscreen + Towing package	214	491	305
EQE 350 4MATIC AMG Line Night Edition Premium Plus + Luxury Interior + Towing package	214	491	305
EQE 350 4MATIC AMG Line Night Edition Premium Plus + Luxury Interior + Towing + Hyperscreen package	214	490	305

¹Specified voltage and current values refer to network infrastructure and can be limited by the vehicle fitted (post registration), variations in weather, driving styles and vehicle load.

²Figures shown are for comparability purposes; only compare with other cars tested to the same technical procedures. Figures may not reflect real life driving results, which will depend upon a number of factors including the starting charge of the battery, factory-fitted options, accessories

Further information about the test used to establish range, power consumption and CO₂ figures can be found at <http://www.mercedes-benz.co.uk/WLTP>

[Book a test drive](#)[Find your EQE SUV](#)[Find a Showroom](#)

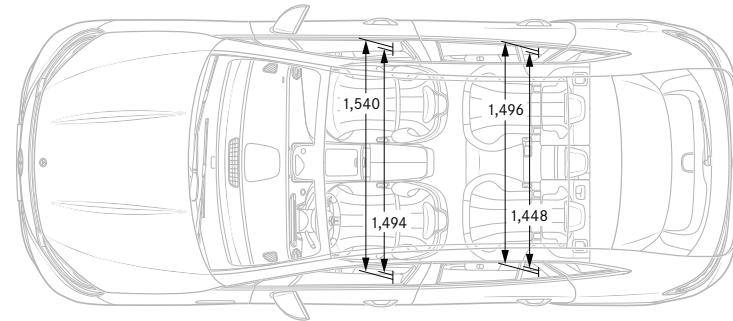
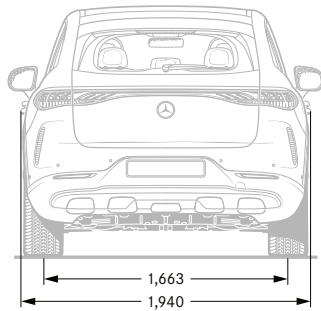
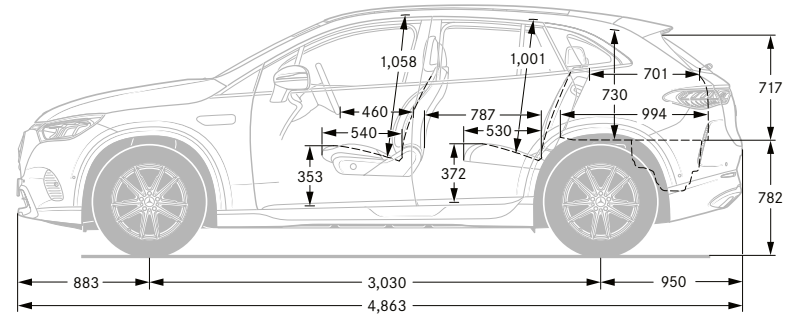
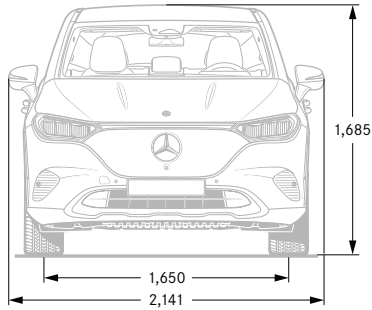
Electric range and consumption (continued)

	Energy Consumption – combined (Wh/km) ^{1,2}	All Electric Range (km) ²	All Electric Range (miles) ²
EQE 500 4MATIC AMG Line Edition	195	575	357
EQE 500 4MATIC AMG Line Edition + Towing package	198	568	353
EQE 500 4MATIC AMG Line Night Edition Premium	197	570	354
EQE 500 4MATIC AMG Line Night Edition Premium + Towing package	201	560	348
EQE 500 4MATIC AMG Line Night Edition Premium + Luxury Interior package	197	570	354
EQE 500 4MATIC AMG Line Night Edition Premium + Luxury Interior + Towing package	201	560	348
EQE 500 4MATIC AMG Line Night Edition Premium Plus	211	534	332
EQE 500 4MATIC AMG Line Night Edition Premium Plus + Towing package	214	526	327
EQE 500 4MATIC AMG Line Night Edition Premium Plus + Luxury Interior package	211	533	331
EQE 500 4MATIC AMG Line Night Edition Premium Plus + Luxury Interior + Towing package	214	525	326
Mercedes-AMG EQE 53 4MATIC+ Night Edition	233	450	280
Mercedes-AMG EQE 53 4MATIC+ Night Edition + Towing package	235	446	277
Mercedes-AMG EQE 53 4MATIC+ Night Edition Premium Plus	250	418	260
Mercedes-AMG EQE 53 4MATIC+ Night Edition Premium Plus + Towing package	252	413	257

¹Specified voltage and current values refer to network infrastructure and can be limited by the vehicle fitted (post registration), variations in weather, driving styles and vehicle load. Further information about

²Figures shown are for comparability purposes; only compare with other cars tested to the same technical procedures. Figures may not reflect real life driving results, which will depend upon a number of factors including the starting charge of the battery, factory-fitted options, accessories

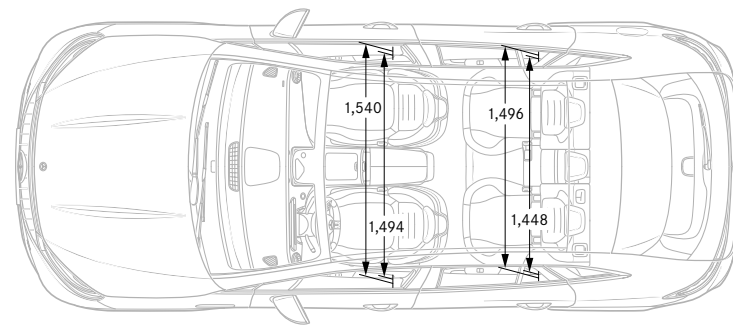
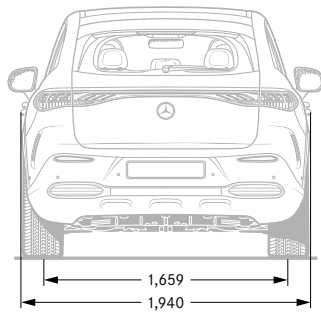
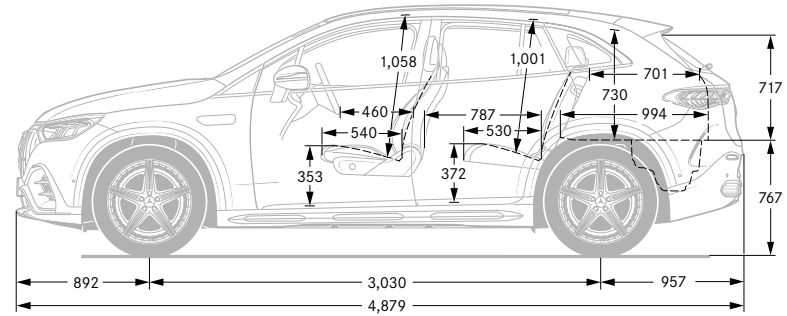
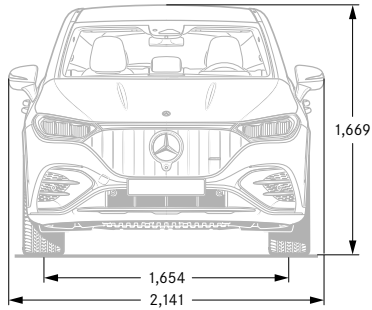
EQE SUV



All measurements in millimetres. The dimensions shown are mean values and apply to standard-specification, unladen vehicles

Design	Technology	Safety	Model lines and upholstery	Model prices	Mercedes-AMG and upholstery	Mercedes-AMG prices	Personalisation	Standard equipment	Technical data	Additional information
--------	------------	--------	----------------------------	--------------	-----------------------------	---------------------	-----------------	--------------------	----------------	------------------------

Mercedes-AMG EQE 53 4MATIC+ SUV



Design	Technology	Safety	Model lines and upholstery	Model prices	Mercedes-AMG and upholstery	Mercedes-AMG prices	Personalisation	Standard equipment	Technical data	Additional information
--------	------------	--------	----------------------------	--------------	-----------------------------	---------------------	-----------------	--------------------	----------------	------------------------



Road Fund Licence

All road vehicle registrations are subject to Vehicle Excise Duty (Road Fund Licence), which varies in accordance with the vehicle's CO₂ emissions. A first year rate for each taxation band will apply. The table below shows the bands (A–M) created by the DVLA and the corresponding Road Fund Licence. CO₂ emissions and the relevant Excise Duty are shown on the model pricing pages.

Band	CO ₂ emissions (g/km)	First year rate petrol and RDE2 diesel (£)	First year rate alternative fuel (£)	Electric vehicles		Alternative fuel vehicles		Petrol/diesel vehicles	
				Standard rate (£)	Premium rate (£) ¹	Standard rate (£)	Premium rate (£) ¹	Standard rate (£)	Premium rate (£) ¹
A	0	0.00	0.00	0.00	0.00	0.00	0.00	0.00	0.00
B	1 to 50	10.00	0.00	0.00	0.00	180.00	590.00	190.00	600.00
C	51 to 75	30.00	20.00	0.00	0.00	180.00	590.00	190.00	600.00
D	76 to 90	135.00	125.00	0.00	0.00	180.00	590.00	190.00	600.00
E	91 to 100	175.00	165.00	0.00	0.00	180.00	590.00	190.00	600.00
F	101 to 110	195.00	185.00	0.00	0.00	180.00	590.00	190.00	600.00
G	111 to 130	220.00	210.00	0.00	0.00	180.00	590.00	190.00	600.00
H	131 to 150	270.00	260.00	0.00	0.00	180.00	590.00	190.00	600.00
I	151 to 170	680.00	670.00	0.00	0.00	180.00	590.00	190.00	600.00
J	171 to 190	1,095.00	1,085.00	0.00	0.00	180.00	590.00	190.00	600.00
K	191 to 225	1,650.00	1,640.00	0.00	0.00	180.00	590.00	190.00	600.00
L	226 to 255	2,340.00	2,330.00	0.00	0.00	180.00	590.00	190.00	600.00
M	over 255	2,745.00	2,735.00	0.00	0.00	180.00	590.00	190.00	600.00



Some of the model features, optional extras and colours shown may not be available, or may only be available in a different specification

¹Premium rate only applicable to vehicles where the list price is over £40,000 including any factory-fitted options, standard UK delivery charge, number plates, fuel and VAT



Services and insurance

Mercedes-Benz ServiceCare

We believe that servicing costs should be as flexible and affordable as possible for your EQE, which is why we offer ServiceCare, an easy way to budget for all your servicing costs. It spreads your bills into manageable payments based on whether you have a new or used Mercedes-Benz.

With ServiceCare we guarantee the price of parts and labour for up to four services and safeguard against any further inflation.

You can choose either to add your servicing costs into your monthly spend or pay the full amount in a one-off payment, giving you peace of mind that they are taken care of for the period of the plan.

[Click here for more information](#)

Motor Insurance

We know that once you have chosen your Mercedes-Benz you can't wait to drive it – that's why we created First Cover.² It gives you 7 days' free comprehensive Motor Insurance when you buy a new or used vehicle from a Mercedes-Benz Agent. We will also send you a quote for annual cover, so you can enjoy the same peace of mind all year round.

[Apply for First Cover](#)

Battery Warranty

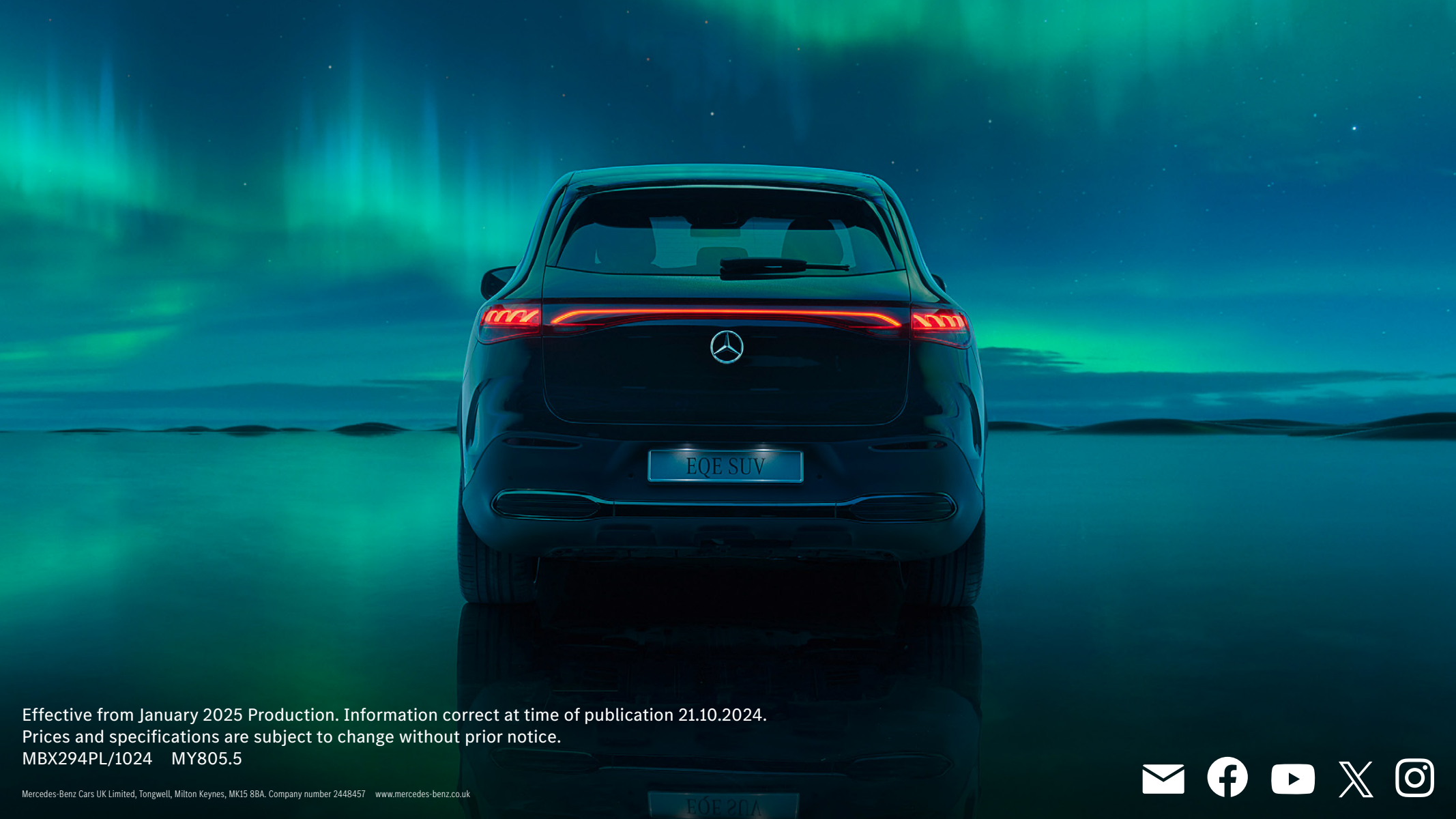
The battery is under warranty for either a maximum distance of 155,000 miles or up to ten years from the date of first registration, whichever comes first.¹

Warranty and breakdown cover

Every Mercedes-Benz comes with a three-year unlimited mileage warranty against manufacturing or material defects³ and up to 30 years warranty against perforation due to corrosion from the inside out.⁴ What's more, it's also covered by Mercedes-Benz Roadside Assistance – a unique package comprising up to 30 years pan-European breakdown assistance.⁴



¹Cars that hold a Hackney carriage vehicle licence (Taxicab) and/or Taxi Operator licence issued by a local authority, come with a 3-year 155,000-mile battery warranty ²Terms and Conditions apply. We are an independent intermediary dealing with selected insurers in respect of annual insurance ³Applies to vehicles sold by Mercedes-Benz in the UK to its franchised Mercedes-Benz Agents ⁴Subject to full Terms and Conditions, dependent on date of registration, available upon request



Effective from January 2025 Production. Information correct at time of publication 21.10.2024.

Prices and specifications are subject to change without prior notice.

MBX294PL/1024 MY805.5

