



# The new CLE Coupé

Effective from November 2023 Production.

Mercedes-Benz





Some of the model features, optional extras and colours shown may not be available, or may only be available in a different specification, or at a different price.

Design	Technology	Model lines	Upholstery	Model prices	Mercedes-AMG	Mercedes-AMG upholstery	Mercedes-AMG prices	Personalisation	Standard equipment	Technical data	Additional information
--------	------------	-------------	------------	--------------	--------------	-------------------------	---------------------	-----------------	--------------------	----------------	------------------------





Some of the model features, optional extras and colours shown may not be available, or may only be available in a different specification, or at a different price.

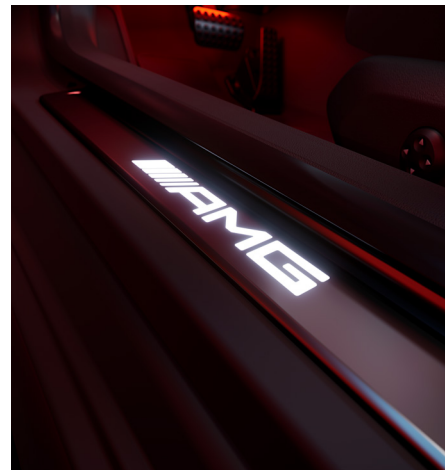
<a href="#">Design</a>	<a href="#">Technology</a>	<a href="#">Model lines</a>	<a href="#">Upholstery</a>	<a href="#">Model prices</a>	<a href="#">Mercedes-AMG</a>	<a href="#">Mercedes-AMG upholstery</a>	<a href="#">Mercedes-AMG prices</a>	<a href="#">Personalisation</a>	<a href="#">Standard equipment</a>	<a href="#">Technical data</a>	<a href="#">Additional information</a>
------------------------	----------------------------	-----------------------------	----------------------------	------------------------------	------------------------------	---	-------------------------------------	---------------------------------	------------------------------------	--------------------------------	--



Some of the model features, optional extras and colours shown may not be available, or may only be available in a different specification, or at a different price.

<a href="#">Design</a>	<a href="#">Technology</a>	<a href="#">Model lines</a>	<a href="#">Upholstery</a>	<a href="#">Model prices</a>	<a href="#">Mercedes-AMG</a>	<a href="#">Mercedes-AMG upholstery</a>	<a href="#">Mercedes-AMG prices</a>	<a href="#">Personalisation</a>	<a href="#">Standard equipment</a>	<a href="#">Technical data</a>	<a href="#">Additional information</a>
------------------------	----------------------------	-----------------------------	----------------------------	------------------------------	------------------------------	---	-------------------------------------	---------------------------------	------------------------------------	--------------------------------	--





Some of the model features, optional extras and colours shown may not be available, or may only be available in a different specification, or at a different price.

Design	Technology	Model lines	Upholstery	Model prices	Mercedes-AMG	Mercedes-AMG upholstery	Mercedes-AMG prices	Personalisation	Standard equipment	Technical data	Additional information
--------	------------	-------------	------------	--------------	--------------	-------------------------	---------------------	-----------------	--------------------	----------------	------------------------



Some of the model features, optional extras and colours shown may not be available, or may only be available in a different specification, or at a different price.

<a href="#">Design</a>	<a href="#">Technology</a>	<a href="#">Model lines</a>	<a href="#">Upholstery</a>	<a href="#">Model prices</a>	<a href="#">Mercedes-AMG</a>	<a href="#">Mercedes-AMG upholstery</a>	<a href="#">Mercedes-AMG prices</a>	<a href="#">Personalisation</a>	<a href="#">Standard equipment</a>	<a href="#">Technical data</a>	<a href="#">Additional information</a>
------------------------	----------------------------	-----------------------------	----------------------------	------------------------------	------------------------------	---	-------------------------------------	---------------------------------	------------------------------------	--------------------------------	--





Some of the model features, optional extras and colours shown may not be available, or may only be available in a different specification, or at a different price.

<a href="#">Design</a>	<a href="#">Technology</a>	<a href="#">Model lines</a>	<a href="#">Upholstery</a>	<a href="#">Model prices</a>	<a href="#">Mercedes-AMG</a>	<a href="#">Mercedes-AMG upholstery</a>	<a href="#">Mercedes-AMG prices</a>	<a href="#">Personalisation</a>	<a href="#">Standard equipment</a>	<a href="#">Technical data</a>	<a href="#">Additional information</a>
------------------------	----------------------------	-----------------------------	----------------------------	------------------------------	------------------------------	---	-------------------------------------	---------------------------------	------------------------------------	--------------------------------	--



Some of the model features, optional extras and colours shown may not be available, or may only be available in a different specification, or at a different price.

<a href="#">Design</a>	<a href="#">Technology</a>	<a href="#">Model lines</a>	<a href="#">Upholstery</a>	<a href="#">Model prices</a>	<a href="#">Mercedes-AMG</a>	<a href="#">Mercedes-AMG upholstery</a>	<a href="#">Mercedes-AMG prices</a>	<a href="#">Personalisation</a>	<a href="#">Standard equipment</a>	<a href="#">Technical data</a>	<a href="#">Additional information</a>
------------------------	----------------------------	-----------------------------	----------------------------	------------------------------	------------------------------	---	-------------------------------------	---------------------------------	------------------------------------	--------------------------------	--





CLE

---

# Technology

Design	Technology	Model lines	Upholstery	Model prices	Mercedes-AMG	Mercedes-AMG upholstery	Mercedes-AMG prices	Personalisation	Standard equipment	Technical data	Additional information
--------	------------	-------------	------------	--------------	--------------	-------------------------	---------------------	-----------------	--------------------	----------------	------------------------

# DIGITAL LIGHT

High-definition headlamps with innovative features

● Standard    – Not available

The new innovative DIGITAL LIGHT headlamps works like a projector with more than one million pixels per headlamp and responds with brilliant light to changing traffic, road or weather conditions. Its ULTRA RANGE Highbeam with 650m makes you feel like driving at daylight. DIGITAL LIGHT is also able to provide assistance in the form of messages on the road in front of you.<sup>1</sup>

<sup>1</sup>This additional function depends on local road traffic laws

Model line	DIGITAL LIGHT
AMG Line	–
AMG Line Premium	●
AMG Line Premium Plus	●
Premier Edition	●
All Mercedes-AMG CLE53 variants	●





# Mercedes-Benz User Experience (MBUX)

Transforming the in-car user experience, thanks to MBUX: Controlled via voice or touch input, the innovative infotainment system can over time even predict personal habits thanks to artificial intelligence.

## Voice control

- Activated by the keywords “Hey Mercedes”, the new intelligent voice control LINGUATRONIC<sup>1</sup> lets you control many of the infotainment functions, including destination input, phone calls or music selection
- MBUX is able to understand different accents and will adjust to you over time
- MBUX even understands indirect commands. Feeling chilly? Just say “I feel cold” and MBUX will adjust the temperature for you

## Touch inputs

- Beside voice control you can operate MBUX via touchscreen as well as touch control buttons on the steering wheel

## Personalisation

- Turn the new CLE into your very own Mercedes-Benz by personalising driving modes, radio stations and much more
- Your personal settings can be saved in up to seven different profiles, making your driving experience the best one possible
- Thanks to artificial intelligence, MBUX is able to learn and adapt over time. It will be able to predict your personal habits, such as navigation for frequently-driven routes, or the radio station you like to listen to on your way home from work

## Maintenance and service

- Wondering when the next service is due? Or how much further you can drive until you need to stop at a petrol station? Just ask your MBUX – it will tell you the answer



The connection of the communication module to the mobile phone network including the emergency call system depends on the respective network coverage and availability of network providers

<sup>1</sup>LINGUATRONIC off-board functions are currently only available for three years

Design	Technology	Model lines	Upholstery	Model prices	Mercedes-AMG	Mercedes-AMG upholstery	Mercedes-AMG prices	Personalisation	Standard equipment	Technical data	Additional information
--------	------------	-------------	------------	--------------	--------------	-------------------------	---------------------	-----------------	--------------------	----------------	------------------------

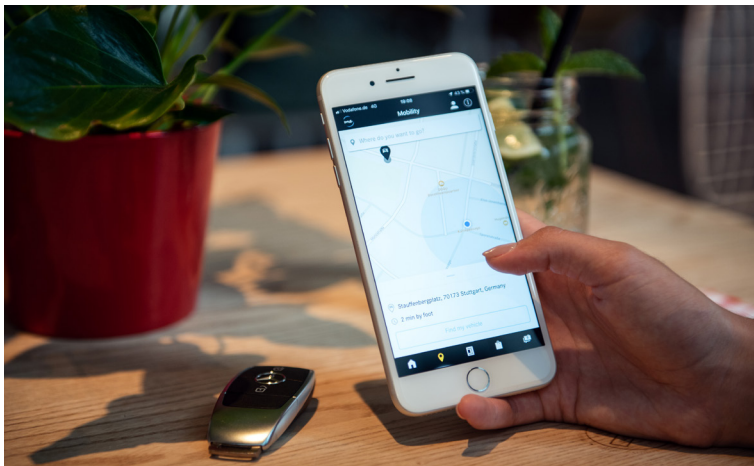
# Mercedes me connect Stay connected any time, anywhere.



Mercedes me is a range of innovative online services designed to enhance your Mercedes-Benz experience. Accessible via mobile, tablet or PC, Mercedes me lets you enjoy the highest standards of care and support, in a way that integrates seamlessly with your busy lifestyle.

### Safety and Service – Mercedes me connect helps to keep you and your car safe

Check your car's oil level, tyre pressure and fuel from your phone so you'll be ready for every journey.



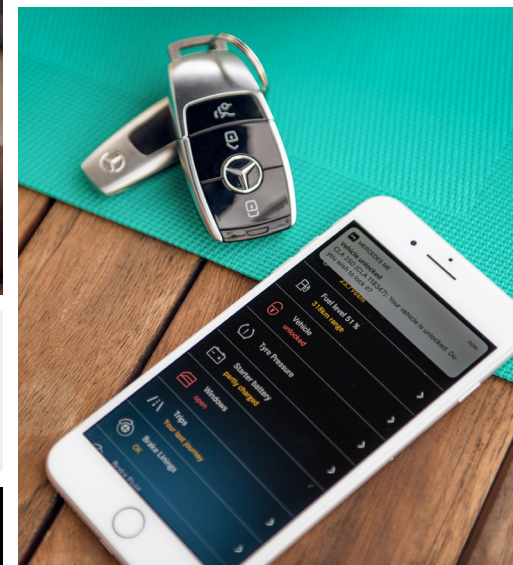
### Live Traffic Information, Parked Vehicle Locator and much more with Mercedes me connect

Forgot where you've parked? Parked Vehicle Locator<sup>1</sup> will show you exactly where your car is as long as you're in a 1-mile radius of where you parked. Real-time traffic data and dynamic route with shorter journey times.

For more information speak to your local Mercedes-Benz Agent or visit the Mercedes me connect store at [shop.mercedes-benz.com/en-gb/connect](http://shop.mercedes-benz.com/en-gb/connect)

### Comfort – connect to your car anytime, anywhere

Forgot to lock your car? With Remote Car Lock<sup>2</sup> you will receive a notification on your smartphone to let you know. With one tap, you can lock and unlock your vehicle so you never have to worry.



<sup>1</sup>The connection of the communication module to the mobile phone network including the emergency call system depends on the respective network coverage and availability of network providers

<sup>2</sup>Available on all models with the Vehicle Monitoring package. This option may vary between standard and additional cost dependent on the model

<sup>3</sup>Part of the Vehicle Status package. This option may vary between standard and additional cost dependent on the model

Images shown are for illustration purposes only

Design	Technology	Model lines	Upholstery	Model prices	Mercedes-AMG	Mercedes-AMG upholstery	Mercedes-AMG prices	Personalisation	Standard equipment	Technical data	Additional information
--------	------------	-------------	------------	--------------	--------------	-------------------------	---------------------	-----------------	--------------------	----------------	------------------------



# CLE Model lines overview

**AMG Line »**



**AMG Line Premium »**



**AMG Line Premium Plus »**



**Premier Edition »**



Design	Technology	Model lines	Upholstery	Model prices	Mercedes-AMG	Mercedes-AMG upholstery	Mercedes-AMG prices	Personalisation	Standard equipment	Technical data	Additional information
--------	------------	-------------	------------	--------------	--------------	-------------------------	---------------------	-----------------	--------------------	----------------	------------------------

# AMG Line Standard equipment highlights



Option shown: spectral blue metallic (code 970)

### Engine, Transmission and Suspension

AGILITY CONTROL sports suspension – lowered by 15 mm

DYNAMIC SELECT with a choice of driving modes: 'Eco', 'Comfort', 'Sport', 'Sport+' and 'Individual'



Option shown: spectral blue metallic (code 970)

### Exterior

18" AMG alloy wheels – 5-twin-spoke design, aerodynamically optimised, painted black with a high-sheen finish (code RSK)

Ambient lighting with projection of brand logo

AMG Line exterior

Heat-insulating, dark-tinted glass

LED High-Performance headlamps with Adaptive Highbeam Assist

Mirror package – electrically-folding exterior mirrors and automatically-dimming rear-view mirror

Summer tyres



OTR from **£46,605<sup>1</sup>**

<sup>1</sup>The recommended on-the-road price includes the Road Fund Licence applicable to the standard model plus delivery charge (£730.00 incl. VAT), new vehicle registration fee (£55.00), fuel (£50.00 incl. VAT), and number plates (£25.00 incl. VAT). VAT is calculated at the standard rate of 20%. Some of the model features, optional extras and colours shown may not be available, or may only be available in a different specification, or at a different price

Design	Technology	Model lines	Upholstery	Model prices	Mercedes-AMG	Mercedes-AMG upholstery	Mercedes-AMG prices	Personalisation	Standard equipment	Technical data	Additional information
--------	------------	-------------	------------	--------------	--------------	-------------------------	---------------------	-----------------	--------------------	----------------	------------------------





No-cost option shown: leather - macchiato beige/black (code 205A)



Ambient Lighting Premium



Memory package



Illuminated door sill panels

**Safety and Assistance Systems**

- Blind Spot Assist
- Parking package with reversing camera
- Traffic Sign Assist

**Interior**

Ambient Lighting Premium	KEYLESS-GO
AMG Line interior	Memory package
Illuminated door sill panels with 'Mercedes-Benz' lettering	Seats – four-way lumbar support
Interior Light package	Seats – heated, front
	THERMATIC automatic climate control

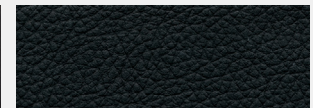
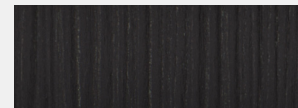
**Communications and In-Car Entertainment**

- Dashcam
- Smartphone integration<sup>1</sup> including Apple CarPlay® and Android Auto™
- USB package Plus
- Wireless charging<sup>1</sup>

<sup>1</sup>Compatible mobile phone required

**Trim and Upholstery**

- Anthracite linestructure wood trim
- Leather – black



# AMG Line Premium Standard equipment highlights



OTR from **£50,355<sup>1</sup>**  
 Upgrade price from AMG Line **£3,750**

<sup>1</sup>The recommended on-the-road price includes the Road Fund Licence applicable to the standard model plus delivery charge (£730.00 incl. VAT), new vehicle registration fee (£55.00), fuel (£50.00 incl. VAT), and number plates (£25.00 incl. VAT). VAT is calculated at the standard rate of 20%. Some of the model features, optional extras and colours shown may not be available, or may only be available in a different specification, or at a different price

In addition to/replacement of AMG Line:

**Exterior**

19" AMG alloy wheels – multi-spoke design, aerodynamically optimised, painted black with a high-sheen finish (code RVA)

DIGITAL LIGHT with Adaptive Highbeam Assist Plus

KEYLESS-GO Comfort package

Panoramic sliding sunroof

Summer tyres



Design	Technology	Model lines	Upholstery	Model prices	Mercedes-AMG	Mercedes-AMG upholstery	Mercedes-AMG prices	Personalisation	Standard equipment	Technical data	Additional information
--------	------------	-------------	------------	--------------	--------------	-------------------------	---------------------	-----------------	--------------------	----------------	------------------------





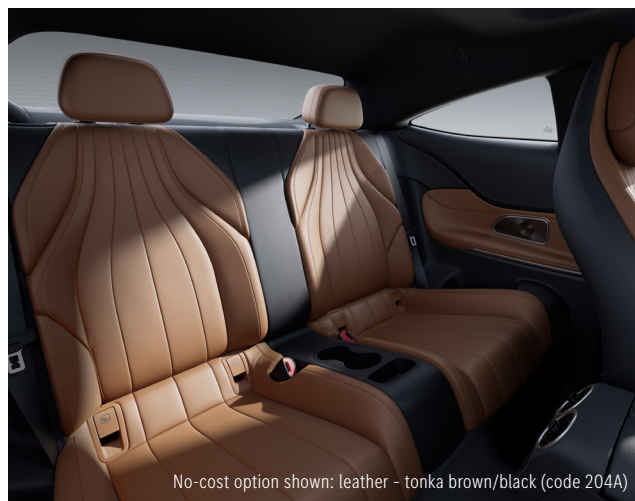
No-cost option shown: leather - tonka brown/black (code 204A)

### Communications and In-Car Entertainment

MBUX augmented reality for navigation



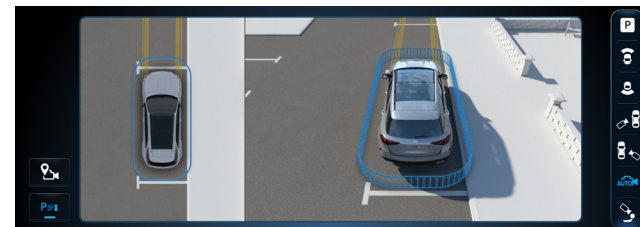
No-cost option shown: leather - tonka brown/black (code 204A)



No-cost option shown: leather - tonka brown/black (code 204A)

### Safety and Assistance Systems

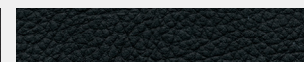
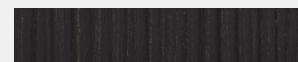
Parking package with 360° camera



### Trim and Upholstery

Anthracite linestructure wood trim

Leather - black



Design	Technology	Model lines	Upholstery	Model prices	Mercedes-AMG	Mercedes-AMG upholstery	Mercedes-AMG prices	Personalisation	Standard equipment	Technical data	Additional information
--------	------------	-------------	------------	--------------	--------------	-------------------------	---------------------	-----------------	--------------------	----------------	------------------------

# AMG Line Premium Plus Standard equipment highlights



OTR from **£54,355<sup>1</sup>**  
 Upgrade price from AMG Line Premium **£4,000**

In addition to/replacement of AMG Line Premium:

**Exterior**

20" AMG alloy wheels – multi-spoke design, aerodynamically optimised, painted black with a high-shine finish (code RVM)

Summer tyres

<sup>1</sup>The recommended on-the-road price includes the Road Fund Licence applicable to the standard model plus delivery charge (£730.00 incl. VAT), new vehicle registration fee (£55.00), fuel (£50.00 incl. VAT), and number plates (£25.00 incl. VAT). VAT is calculated at the standard rate of 20%. Some of the model features, optional extras and colours shown may not be available, or may only be available in a different specification, or at a different price

Design	Technology	Model lines	Upholstery	Model prices	Mercedes-AMG	Mercedes-AMG upholstery	Mercedes-AMG prices	Personalisation	Standard equipment	Technical data	Additional information
--------	------------	-------------	------------	--------------	--------------	-------------------------	---------------------	-----------------	--------------------	----------------	------------------------





Burmester® 3D surround sound system



ENERGIZING package Plus

**Interior**

AIR BALANCE package – fragrance generator, ioniser and improved filter system

ENERGIZING package Plus – heated, multicontour and climatized front seats, 7 ENERGIZING Comfort packages and ENERGIZING COACH

Seats – multi-contour and climatized, front

**Communications and In-Car Entertainment**

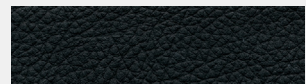
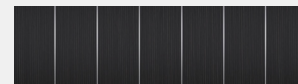
Head-up display

Burmester® 3D surround sound system with sound personalisation

**Trim and Upholstery**

Black open-pore aluminium lines wood trim

Leather – black



Design	Technology	Model lines	Upholstery	Model prices	Mercedes-AMG	Mercedes-AMG upholstery	Mercedes-AMG prices	Personalisation	Standard equipment	Technical data	Additional information
--------	------------	-------------	------------	--------------	--------------	-------------------------	---------------------	-----------------	--------------------	----------------	------------------------

# Premier Edition Standard equipment highlights



Option shown: MANUFAKTUR patagonia red metallic (code 993)



Option shown: MANUFAKTUR patagonia red metallic (code 993)

In addition to/replacement of AMG Line Premium Plus:

### Exterior

20" AMG alloy wheels – multi-spoke design, aerodynamically optimised, painted black with a high-sheen rim flange (code RVN)

Night package

Summer tyres



OTR from **£56,855<sup>1</sup>**  
Upgrade price from AMG Line Premium Plus **£2,500**

<sup>1</sup>The recommended on-the-road price includes the Road Fund Licence applicable to the standard model plus delivery charge (£730.00 incl. VAT), new vehicle registration fee (£55.00), fuel (£50.00 incl. VAT), and number plates (£25.00 incl. VAT). VAT is calculated at the standard rate of 20%. Some of the model features, optional extras and colours shown may not be available, or may only be available in a different specification, or at a different price

Design	Technology	Model lines	Upholstery	Model prices	Mercedes-AMG	Mercedes-AMG upholstery	Mercedes-AMG prices	Personalisation	Standard equipment	Technical data	Additional information
--------	------------	-------------	------------	--------------	--------------	-------------------------	---------------------	-----------------	--------------------	----------------	------------------------



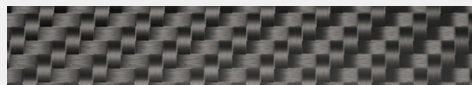


**Interior**

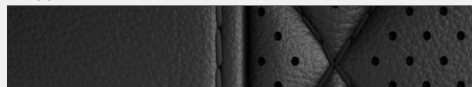
Heated steering wheel

**Trim and Upholstery**

Carbon fibre trim



Nappa leather - black



Design	Technology	Model lines	Upholstery	Model prices	Mercedes-AMG	Mercedes-AMG upholstery	Mercedes-AMG prices	Personalisation	Standard equipment	Technical data	Additional information
--------	------------	-------------	------------	--------------	--------------	-------------------------	---------------------	-----------------	--------------------	----------------	------------------------

# Upholstery

● Standard   □ No-cost option   – Not available



**201A Leather<sup>1</sup> – black**

AMG Line	●
AMG Line Premium	●
AMG Line Premium Plus	●
Premier Edition	–



**204A Leather<sup>1</sup> – tonka brown/black**

AMG Line	□
AMG Line Premium	□
AMG Line Premium Plus	□
Premier Edition	–



**205A Leather<sup>1</sup> – macchiato beige/black**

AMG Line	□
AMG Line Premium	□
AMG Line Premium Plus	□
Premier Edition	–



**207A Leather<sup>1</sup> – power red/black**

AMG Line	□
AMG Line Premium	□
AMG Line Premium Plus	□
Premier Edition	–

<sup>1</sup>At least 80% of the seat upholstery is pure leather, while up to 20% may consist of man-made leather



# Upholstery

Standard
  No-cost option
  Not available



**801A Nappa leather<sup>1</sup> – black**

AMG Line	–
AMG Line Premium	–
AMG Line Premium Plus	–
Premier Edition	●



**804A Nappa leather<sup>1</sup> – tonka brown/black**

AMG Line	–
AMG Line Premium	–
AMG Line Premium Plus	–
Premier Edition	□



**809A Nappa leather<sup>1</sup> – white/black**

AMG Line	–
AMG Line Premium	–
AMG Line Premium Plus	–
Premier Edition	□

<sup>1</sup>100% of seat upholstery is pure leather

# Model prices

Model line	Engine	Transmission	CO <sub>2</sub> WLTP <sup>1</sup>	Basic RRP excl. VAT (£)	Total RRP incl. VAT (£)	Road Fund Licence (£) <sup>2</sup> WLTP	Rec. OTR price (£) <sup>3</sup> WLTP	P11D value (£)	BiK tax rate 2023/24 (%) <sup>2</sup>
<b>AMG Line</b>									
CLE200	Petrol – 1,999 cc, 4-cylinder, 204 hp/150 kW Mild hybrid drive – 22 hp/17 kW	9G-TRONIC PLUS 9-speed auto.	145	37,916.67	45,500.00	245.00	<b>46,605.00</b>	46,305.00	34
CLE220 d	Diesel – 1,993 cc, 4-cylinder, 197 hp/145 kW Mild hybrid drive – 22 hp/17 kW	9G-TRONIC PLUS 9-speed auto.	123	40,000.00	48,000.00	200.00	<b>49,060.00</b>	48,805.00	29
<b>AMG Line Premium</b>									
CLE200	Petrol – 1,999 cc, 4-cylinder, 204 hp/150 kW Mild hybrid drive – 22 hp/17 kW	9G-TRONIC PLUS 9-speed auto.	148	41,041.67	49,250.00	245.00	<b>50,355.00</b>	50,055.00	34
CLE220 d	Diesel – 1,993 cc, 4-cylinder, 197 hp/145 kW Mild hybrid drive – 22 hp/17 kW	9G-TRONIC PLUS 9-speed auto.	125	43,125.00	51,750.00	200.00	<b>52,810.00</b>	52,555.00	30
CLE300 4MATIC	Petrol – 1,999 cc, 4-cylinder, 258 hp/190 kW Mild hybrid drive – 22 hp/17 kW	9G-TRONIC PLUS 9-speed auto.	162	45,208.33	54,250.00	635.00	<b>55,745.00</b>	55,055.00	37
CLE450 4MATIC	Petrol – 2,999 cc, 6-cylinder, 381 hp/280 kW Mild hybrid drive – 22 hp/17 kW	9G-TRONIC PLUS 9-speed auto.	176	53,645.83	64,375.00	1,030.00	<b>66,265.00</b>	65,180.00	37

<sup>1</sup>The indicated values were determined according to the prescribed measurement method - Worldwide Harmonised Light Vehicle Test Procedure (WLTP). Figures shown may include options which are not available in the UK. Figures shown are for comparability purposes; only compare with other cars tested to the same technical procedures. Figures may not reflect real life driving results, which will depend upon a number of factors including the starting charge of the battery, factory-fitted options, accessories fitted (post registration), variations in weather, driving styles and vehicle load. Further information about the test used to establish fuel consumption and CO<sub>2</sub> figures can be found at <http://www.mercedes-benz.co.uk/WLTP> <sup>2</sup>A different first year rate of Vehicle Excise Duty (Road Fund Licence) applies for new cars. Please refer to page 50 for the relevant rate for the second and subsequent years <sup>3</sup>The recommended on-the-road price includes the Road Fund Licence applicable to the standard model plus delivery charge (£730.00 incl. VAT), new vehicle registration fee (£55.00), fuel (£50.00 incl. VAT), and number plates (£25.00 incl. VAT). VAT is calculated at the standard rate of 20%. Some of the model features, optional extras and colours shown may not be available, or may only be available in a different specification, or at a different price



# Model prices

Model line	Engine	Transmission	CO <sub>2</sub> WLTP <sup>1</sup>	Basic RRP excl. VAT (£)	Total RRP incl. VAT (£)	Road Fund Licence (£) <sup>2</sup> WLTP	Rec. OTR price (£) <sup>3</sup> WLTP	P11D value (£)	BiK tax rate 2023/24 (%) <sup>2</sup>
<b>AMG Line Premium Plus</b>									
CLE200	Petrol – 1,999 cc, 4-cylinder, 204 hp/150 kW Mild hybrid drive – 22 hp/17 kW	9G-TRONIC PLUS 9-speed auto.	147	44,375.00	53,250.00	245.00	<b>54,355.00</b>	54,055.00	34
CLE220 d	Diesel – 1,993 cc, 4-cylinder, 197 hp/145 kW Mild hybrid drive – 22 hp/17 kW	9G-TRONIC PLUS 9-speed auto.	125	46,458.33	55,750.00	200.00	<b>56,810.00</b>	56,555.00	30
CLE300 4MATIC	Petrol – 1,999 cc, 4-cylinder, 258 hp/190 kW Mild hybrid drive – 22 hp/17 kW	9G-TRONIC PLUS 9-speed auto.	161	48,541.67	58,250.00	635.00	<b>59,745.00</b>	59,055.00	37
CLE450 4MATIC	Petrol – 2,999 cc, 6-cylinder, 381 hp/280 kW Mild hybrid drive – 22 hp/17 kW	9G-TRONIC PLUS 9-speed auto.	176	56,979.17	68,375.00	1,030.00	<b>70,265.00</b>	69,180.00	37
<b>Premier Edition</b>									
CLE200	Petrol – 1,999 cc, 4-cylinder, 204 hp/150 kW Mild hybrid drive – 22 hp/17 kW	9G-TRONIC PLUS 9-speed auto.	148	46,458.33	55,750.00	245.00	<b>56,855.00</b>	56,555.00	34
CLE220 d	Diesel – 1,993 cc, 4-cylinder, 197 hp/145 kW Mild hybrid drive – 22 hp/17 kW	9G-TRONIC PLUS 9-speed auto.	126	48,541.67	58,250.00	200.00	<b>59,310.00</b>	59,055.00	30
CLE300 4MATIC	Petrol – 1,999 cc, 4-cylinder, 258 hp/190 kW Mild hybrid drive – 22 hp/17 kW	9G-TRONIC PLUS 9-speed auto.	162	50,625.00	60,750.00	635.00	<b>62,245.00</b>	61,555.00	37
CLE450 4MATIC	Petrol – 2,999 cc, 6-cylinder, 381 hp/280 kW Mild hybrid drive – 22 hp/17 kW	9G-TRONIC PLUS 9-speed auto.	176	59,062.50	70,875.00	1,030.00	<b>72,765.00</b>	71,680.00	37

<sup>1</sup>The indicated values were determined according to the prescribed measurement method - Worldwide Harmonised Light Vehicle Test Procedure (WLTP). Figures shown may include options which are not available in the UK. Figures shown are for comparability purposes; only compare with other cars tested to the same technical procedures. Figures may not reflect real life driving results, which will depend upon a number of factors including the starting charge of the battery, factory-fitted options, accessories fitted (post registration), variations in weather, driving styles and vehicle load. Further information about the test used to establish fuel consumption and CO<sub>2</sub> figures can be found at <http://www.mercedes-benz.co.uk/WLTP> <sup>2</sup>A different first year rate of Vehicle Excise Duty (Road Fund Licence) applies for new cars. Please refer to page 50 for the relevant rate for the second and subsequent years <sup>3</sup>The recommended on-the-road price includes the Road Fund Licence applicable to the standard model plus delivery charge (£730.00 incl. VAT), new vehicle registration fee (£55.00), fuel (£50.00 incl. VAT), and number plates (£25.00 incl. VAT). VAT is calculated at the standard rate of 20%. Some of the model features, optional extras and colours shown may not be available, or may only be available in a different specification, or at a different price



CLE

# Mercedes-AMG





# Mercedes-AMG Model lines overview

**Mercedes-AMG CLE 53 4MATIC+ AMG Premium »**



**Mercedes-AMG CLE 53 4MATIC+ AMG Night Edition Premium Plus »**



<a href="#">Design</a>	<a href="#">Technology</a>	<a href="#">Model lines</a>	<a href="#">Upholstery</a>	<a href="#">Model prices</a>	<a href="#">Mercedes-AMG</a>	<a href="#">Mercedes-AMG upholstery</a>	<a href="#">Mercedes-AMG prices</a>	<a href="#">Personalisation</a>	<a href="#">Standard equipment</a>	<a href="#">Technical data</a>	<a href="#">Additional information</a>
------------------------	----------------------------	-----------------------------	----------------------------	------------------------------	------------------------------	---	-------------------------------------	---------------------------------	------------------------------------	--------------------------------	--



# Mercedes-AMG CLE 53 4MATIC+ AMG Premium

Standard equipment highlights



Option shown: MANUFAKTUR alpine grey solid (code 956)



Option shown: MANUFAKTUR alpine grey solid (code 956)

## Engine, Transmission and Suspension

9G-TRONIC PLUS 9-speed automatic transmission

AMG RIDE CONTROL suspension

Driving modes – AMG DYNAMIC SELECT with a choice of five driving modes (Slippery, Comfort, Sport, Sport+, Individual)

**OTR from £72,990<sup>1</sup>**

## Exterior

20" AMG alloy wheels – Y-spoke design, aerodynamically optimised, painted matt black with a high-sheen finish (code RTM)

AMG fuel cap

AMG spoiler

Brake callipers – grey painted

DIGITAL LIGHT LED headlamps with Adaptive Highbeam Assist Plus

Flared wheel arches

KEYLESS-GO Comfort package

Mercedes-AMG exterior

Panoramic glass sliding sunroof

Rear axle steering

Summer tyres



<sup>1</sup>The recommended on-the-road price includes the Road Fund Licence applicable to the standard model plus delivery charge (£730.00 incl. VAT), new vehicle registration fee (£55.00), fuel (£50.00 incl. VAT), and number plates (£25.00 incl. VAT). VAT is calculated at the standard rate of 20%. Some of the model features, optional extras and colours shown may not be available, or may only be available in a different specification, or at a different price

Design	Technology	Model lines	Upholstery	Model prices	Mercedes-AMG	Mercedes-AMG upholstery	Mercedes-AMG prices	Personalisation	Standard equipment	Technical data	Additional information
--------	------------	-------------	------------	--------------	--------------	-------------------------	---------------------	-----------------	--------------------	----------------	------------------------





**Interior**

Floor mats – with 'AMG' lettering

Illuminated door sills with 'AMG' lettering with exchangeable cover

Memory package

Mercedes-AMG interior

Steering wheel – AMG Performance steering wheel in nappa leather with AMG steering wheel buttons

THERMATIC – automatic climate control

**Communications, Safety and Assistance Systems**

11.9-inch high-resolution multimedia colour display

12.3-inch digital individually configurable instrument display

Blind Spot Assist

MBUX augmented reality for navigation

Parking package with 360° camera

Traffic Sign Assist<sup>1</sup>

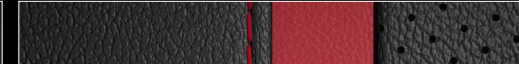
USB package Plus

**Trim and Upholstery**

Black open-pore aluminium lines wood trim



AMG leather – black



<sup>1</sup>Our driver assistance and safety systems are aids and do not relieve you of your responsibility as the driver. Please take note of the information in the Owner's Manual and the system limits which are described therein

Design	Technology	Model lines	Upholstery	Model prices	Mercedes-AMG	Mercedes-AMG upholstery	Mercedes-AMG prices	Personalisation	Standard equipment	Technical data	Additional information
--------	------------	-------------	------------	--------------	--------------	-------------------------	---------------------	-----------------	--------------------	----------------	------------------------



# Mercedes-AMG CLE 53 4MATIC+ AMG Night Edition Premium Plus

Standard equipment highlights

Option shown: MANUFAKTUR graphite grey magno (code 818)



Option shown: MANUFAKTUR graphite grey magno (code 818)

### Exterior

20" AMG alloy wheels - Y-spoke design, aerodynamically optimised, painted matt black with a high-sheen rim flange, (code RTN)

AMG Exterior Night package

Summer tyres



OTR from **£78,740<sup>1</sup>**

Upgrade price from CLE 53 4MATIC+ AMG Premium **£5,750**

<sup>1</sup>The recommended on-the-road price includes the Road Fund Licence applicable to the standard model plus delivery charge (£730.00 incl. VAT), new vehicle registration fee (£55.00), fuel (£50.00 incl. VAT), and number plates (£25.00 incl. VAT). VAT is calculated at the standard rate of 20%. Some of the model features, optional extras and colours shown may not be available, or may only be available in a different specification, or at a different price

Design	Technology	Model lines	Upholstery	Model prices	Mercedes-AMG	Mercedes-AMG upholstery	Mercedes-AMG prices	Personalisation	Standard equipment	Technical data	Additional information
--------	------------	-------------	------------	--------------	--------------	-------------------------	---------------------	-----------------	--------------------	----------------	------------------------





Burmester® 3D surround sound system



Head-up display

**Interior**

AIR BALANCE package – fragrance generator, ioniser and improved filter system

ENERGIZING package Plus – heated, multicontour and climatized front seats, 7 ENERGIZING Comfort packages and ENERGIZING COACH

Steering wheel – AMG Performance steering wheel in nappa leather/ MICROCUT microfibre with AMG steering wheel buttons

**Trim and Upholstery**

Carbon fibre trim

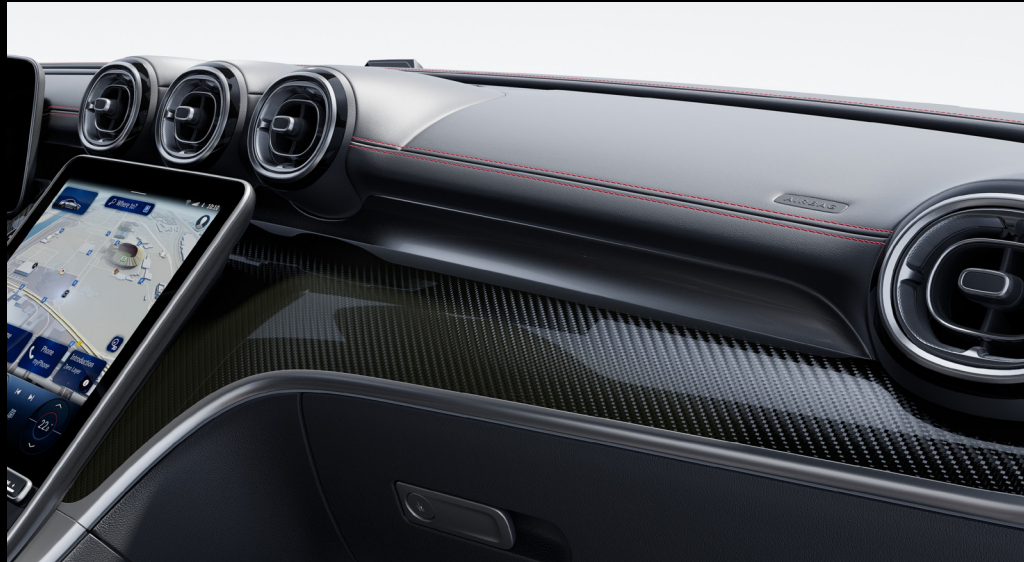
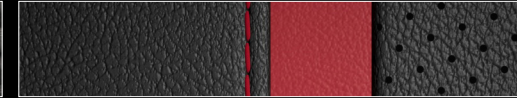


**Communications, Safety and Assistance Systems**

Burmester® 3D surround sound system with sound personalisation

Head-up display

AMG leather – black



Design	Technology	Model lines	Upholstery	Model prices	Mercedes-AMG	Mercedes-AMG upholstery	Mercedes-AMG prices	Personalisation	Standard equipment	Technical data	Additional information
--------	------------	-------------	------------	--------------	--------------	-------------------------	---------------------	-----------------	--------------------	----------------	------------------------



# Pro Performance package

Introducing the Pro Performance package – where precision meets power – tailored for enthusiasts seeking the ultimate driving experience.

**Pro Performance package** (code DPP) – designed and priced as a package, including items listed on the right-hand side.

**Only available for Mercedes-AMG CLE 53 4MATIC+ AMG Night Edition Premium Plus**  
**Total incl. VAT £7,500.00**



**AMG DYNAMIC PLUS package** – AMG DYNAMIC SELECT RACE drive program 'RACE' with RACE start function and drift mode, AMG dynamic engine mounts

**AMG Performance Seat package High-End** – AMG performance seats, electrically adjustable multicontour seats for driver and front passenger with Memory package, seat heating for driver and front passenger, 'AMG' lettering in the seat backrests, front chrome-plated trim panel with black 'AMG' lettering

**AMG spoiler** – distinctive, progressively shaped airflow breakaway edge on the boot lid in high-gloss black

**AMG Performance steering wheel** – in carbon fibre design/MICROCUT microfibre with AMG steering wheel buttons

**AMG Styling package** – AMG front apron in progressive design with side flics and air intakes in high-gloss black, AMG rear apron with diffuser panel in high-gloss black, flics in the side air outlets of the AMG rear apron in high-gloss black

**Red-painted brake callipers** – the red-painted brake callipers with black 'AMG' lettering are an attractive eye-catching feature, and underscore the performance capabilities of your braking system



Design	Technology	Model lines	Upholstery	Model prices	Mercedes-AMG	Mercedes-AMG upholstery	Mercedes-AMG prices	Personalisation	Standard equipment	Technical data	Additional information
--------	------------	-------------	------------	--------------	--------------	-------------------------	---------------------	-----------------	--------------------	----------------	------------------------





# Mercedes-AMG upholstery

- Standard
- No-cost option



**251A AMG leather<sup>1</sup> – black**

- CLE 53 4MATIC+ AMG Premium
- CLE 53 4MATIC+ AMG Night Edition Premium Plus



**Y05 Seat belts – red**

- CLE 53 4MATIC+ AMG Premium
- CLE 53 4MATIC+ AMG Night Edition Premium Plus

<sup>1</sup>At least 80% of the seat upholstery is pure leather, while up to 20% may consist of man-made leather

Design	Technology	Model lines	Upholstery	Model prices	Mercedes-AMG	Mercedes-AMG upholstery	Mercedes-AMG prices	Personalisation	Standard equipment	Technical data	Additional information
--------	------------	-------------	------------	--------------	--------------	-------------------------	---------------------	-----------------	--------------------	----------------	------------------------



# Mercedes-AMG prices

Model line	Engine	Transmission	CO <sub>2</sub> WLTP <sup>1</sup> *	Basic RRP excl. VAT (£)	Total RRP incl. VAT (£)	Road Fund Licence (£) <sup>2</sup> WLTP	Rec. OTR price (£) <sup>3</sup> WLTP	P11D value (£)	BiK tax rate 2023/24 (%) <sup>2</sup>
Mercedes-AMG CLE 53 4MATIC+ AMG Premium	Petrol – 2,999 cc, 6-cylinder, 449 hp/330 kW Mild hybrid drive – 22hp/17 kW	9G-TRONIC PLUS 9-speed automatic	217	58,812.50	70,575.00	1,555.00	<b>72,990.00</b>	71,380.00	37
Mercedes-AMG CLE 53 4MATIC+ AMG Night Edition Premium Plus	Petrol – 1,991 cc, 6-cylinder, 449 hp/330 kW Mild hybrid drive – 22hp/17 kW	9G-TRONIC PLUS 9-speed automatic	217	63,604.17	76,325.00	1,555.00	<b>78,740.00</b>	77,130.00	37

<sup>1</sup>The indicated values were determined according to the prescribed measurement method - Worldwide Harmonised Light Vehicle Test Procedure (WLTP). Figures shown may include options which are not available in the UK. <sup>2</sup>Figures shown are for comparability purposes; only compare with other cars tested to the same technical procedures. Figures may not reflect real life driving results, which will depend upon a number of factors including factory-fitted options, accessories fitted (post registration), variations in weather, driving styles and vehicle load. Further information about the test used to establish fuel consumption and CO<sub>2</sub> figures can be found at <http://www.mercedes-benz.co.uk/WLTP> <sup>3</sup>A different first year rate of Vehicle Excise Duty (Road Fund Licence) applies for new cars. Please refer to page 51 for the relevant rate for the second and subsequent years <sup>4</sup>The recommended on-the-road price includes the Road Fund Licence applicable to the standard model plus delivery charge (£730.00 incl. VAT), new vehicle registration fee (£55.00), fuel (£50.00 incl. VAT), and number plates (£25.00 incl. VAT). VAT is calculated at the standard rate of 20%. Some of the model features, optional extras and colours shown may not be available, or may only be available in a different specification, or at a different price

Design	Technology	Model lines	Upholstery	Model prices	Mercedes-AMG	Mercedes-AMG upholstery	Mercedes-AMG prices	Personalisation	Standard equipment	Technical data	Additional information
--------	------------	-------------	------------	--------------	--------------	-------------------------	---------------------	-----------------	--------------------	----------------	------------------------



# Become the AMG expert

Unleash a new level of performance.



Step into the world of performance and experience the AMG brand at Mercedes-Benz World – from the powerful sound of the engines to the smell of the leather to the unmistakable design of our vehicles.

Mercedes-Benz World invites all Mercedes-AMG customers to a complimentary adrenaline-packed driving experience. Feel the sensational AMG driving performance, develop your driving skills and even try your hand at power-sliding on the Wet Skid Circle. With expert one-to-one guidance from a Driving Specialist in the passenger seat, experience every inch of our Handling Circuits, Dynamic Straight and low friction surfaces.

[Click here for more information](#)



**TERMS AND CONDITIONS**  
 The following customers only are eligible: The first purchaser/registered keeper of a newly registered Mercedes-AMG. The complimentary training must be booked and taken within 12 months of email receipt. The training is available Monday - Friday only (excluding bank holidays) and subject to availability. Upgrades are available for an additional cost, details upon request. Transferable to individuals who reside at the same postal address only. Mercedes-Benz UK Limited reserves the right to amend or withdraw this training experience. Attendees must hold a full UK driving licence. Attendees will be required to sign the Mercedes-Benz World Driving Risk Acknowledgement prior to undertaking the training experience.

The training experience is also subject to the Mercedes-Benz World Terms and Conditions, as applicable. Retailer demonstrator vehicles are not eligible.

Design	Technology	Model lines	Upholstery	Model prices	Mercedes-AMG	Mercedes-AMG upholstery	Mercedes-AMG prices	Personalisation	Standard equipment	Technical data	Additional information
--------	------------	-------------	------------	--------------	--------------	-------------------------	---------------------	-----------------	--------------------	----------------	------------------------

# Colour options Non-metallic and metallic

● Standard   ○ Optional   – Not available



**149 polar white non-metallic**

Mercedes-Benz variants	●
Mercedes-AMG variants	–
<b>Total RRP incl. VAT</b>	<b>–</b>



**197 obsidian black metallic**

Mercedes-Benz variants	○
Mercedes-AMG variants	○
<b>Total RRP incl. VAT</b>	<b>£715.00</b>



**922 high-tech silver metallic**

Mercedes-Benz variants	○
Mercedes-AMG variants	–
<b>Total RRP incl. VAT</b>	<b>£715.00</b>



**040 black non-metallic**

Mercedes-Benz variants	–
Mercedes-AMG variants	●
<b>Total RRP incl. VAT</b>	<b>–</b>



**831 graphite grey metallic**

Mercedes-Benz variants	○
Mercedes-AMG variants	–
<b>Total RRP incl. VAT</b>	<b>£715.00</b>



**970 spectral blue metallic**

Mercedes-Benz variants	○
Mercedes-AMG variants	○
<b>Total RRP incl. VAT</b>	<b>£715.00</b>

Please note that, owing to limitations of on-screen representation, paint colours may differ from those shown



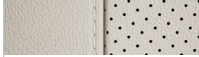








# Combination options

AMG Line, AMG Line Premium, AMG Line Premium Plus and Premier Edition

● Possible    – Not possible

		Interior upholstery colours						
		AMG Line, AMG Line Premium and AMG Line Premium Plus				Premier Edition		
								
		201A Leather <sup>1</sup> – black	204A Leather <sup>1</sup> – tonka brown/black	205A Leather <sup>1</sup> – macchiato beige/black	207A Leather <sup>1</sup> – power red/black	801A Nappa leather <sup>2</sup> – black	804A Nappa leather <sup>2</sup> – tonka brown/black	809A Nappa leather <sup>2</sup> – white/black
Exterior paint colours	149 polar white non-metallic	●	–	–	–	●	–	–
	197 obsidian black metallic	●	●	●	●	●	●	●
	831 graphite grey metallic	●	●	●	●	●	●	●
	922 high-tech silver metallic	●	●	–	●	●	●	–
	970 spectral blue metallic	●	–	●	–	●	–	●
	885 MANUFAKTUR opalite white bright metallic	●	●	–	●	●	●	●
	956 MANUFAKTUR alpine grey solid	●	●	–	●	●	●	●
	993 MANUFAKTUR patagonia red	●	–	●	–	●	–	●

<sup>1</sup>At least 80% of the seat upholstery is pure leather, while up to 20% may consist of man-made leather

<sup>2</sup>100% of seat upholstery is pure leather



# Driving Assistance package Plus<sup>1</sup>

The Driving Assistance package Plus<sup>1</sup> contains a range of highly intelligent features to help you stay safe on the road – by making the drive more effortless, by warning of danger, and by taking steps to protect you in an emergency.

**Driving Assistance package Plus<sup>1</sup>** (code P20) – designed and priced as a package, including items listed below.

**Only available for AMG Line Premium Plus, Premier Edition and Mercedes-AMG CLE 53 4MATIC+ AMG Night Edition Premium Plus**  
**Total incl. VAT £1,695.00**

**Active Blind Spot Assist:** can warn the driver of vehicles in the blind spot during a lane change and can help to avoid a collision by means of one-sided braking intervention

**Active Braking Assist** with cross-traffic function can help to avoid accidents with vehicles ahead, crossing traffic and also pedestrians, and/or mitigate their consequences

**Active Distance Assist DISTRONIC** helps maintain the desired distance from the vehicle in front with extended automatic re-start on motorways

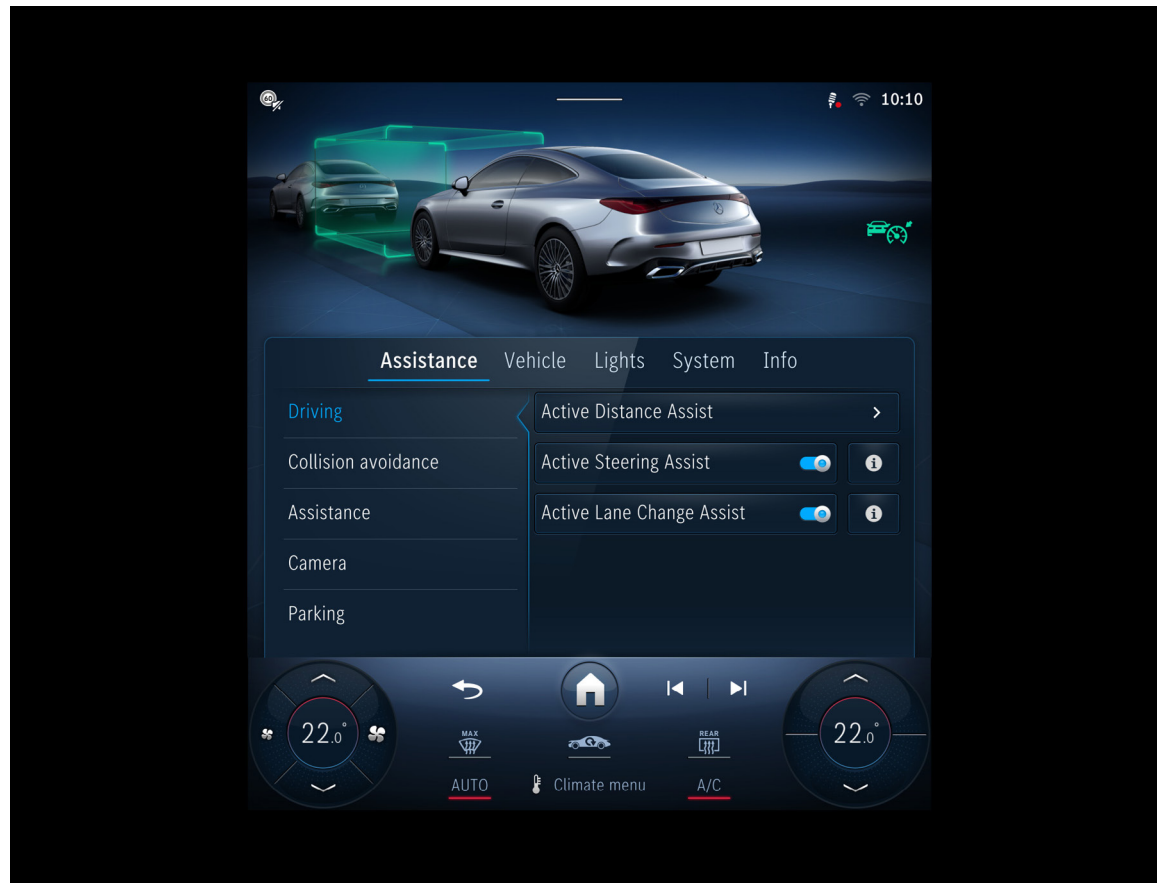
**Active Lane Change Assist** supports you by bringing you into the parallel lane if there is space when changing lanes

**Active Speed Limit Assist** ensures detected speed limits are automatically adopted as the set speed for Active Distance Assist DISTRONIC

**Evasive Steering Assist** can support the driver in making evasive manoeuvres if, in a dangerous situation, he/she moves to avoid any pedestrian detected by the system

**PRE-SAFE®** can prepare the occupants for a side-on collision and reduce the risk of injury. Like a bodyguard, it pushes the driver or front passenger away from the danger zone towards the inside

**PRE-SAFE® PLUS** when a rear-end collision threatens, PRE-SAFE® PLUS can initiate preventive measures, including warning following traffic and locking the brakes on standstill



<sup>1</sup>Our driver assistance and safety systems are aids and do not relieve you of your responsibility as the driver. Please take note of the information in the Owner's Manual and the system limits which are described therein

Design	Technology	Model lines	Upholstery	Model prices	Mercedes-AMG	Mercedes-AMG upholstery	Mercedes-AMG prices	Personalisation	Standard equipment	Technical data	Additional information
--------	------------	-------------	------------	--------------	--------------	-------------------------	---------------------	-----------------	--------------------	----------------	------------------------

# Standard equipment

● Standard – Not available

## Engine, Transmission and Suspension

	AMG Line	AMG Line Premium	AMG Line Premium Plus	Premier Edition
9G-TRONIC PLUS 9-speed automatic transmission	●	●	●	●
AGILITY CONTROL sports suspension – lowered by 15 mm	●	●	●	●
DYNAMIC SELECT with a choice of driving modes (Comfort, ECO, Sport, Sport+, Individual)	●	●	●	●
Integrated Starter Generator Generation 2	●	●	●	●

## Exterior

Ambient lighting with projection of brand logo	●	●	●	●
AMG Line exterior	●	●	●	●
Braking system with larger brake discs on front axle	●	●	●	●
Fuel tank – 66-litres	●	●	●	●
Headlamps – DIGITAL LIGHT with Adaptive Highbeam Assist Plus	–	●	●	●
Headlamps – LED High-Performance headlamps with Adaptive Highbeam Assist	●	–	–	–
Heat-insulating, dark-tinted glass	●	●	●	●
KEYLESS-GO Comfort package – including HANDS-FREE ACCESS, boot lid convenience closing, KEYLESS-GO access and drive authorisation system, KEYLESS-GO starting function, an electronic vehicle key which communicates with the vehicle within a range of two metres from the respective door, door handles with chrome inserts, remote boot closing and EASY-PACK tailgate	–	●	●	●
Mirror package – electrically-folding exterior mirrors and automatically-dimming rear-view mirror	●	●	●	●
Night package	–	–	–	●
Panoramic sliding sunroof	–	●	●	●
Sporty engine sound	●	●	●	●
Windscreen wipers with rain sensor	●	●	●	●

## Interior

	AMG Line	AMG Line Premium	AMG Line Premium Plus	Premier Edition
AIR BALANCE package – fragrance generator, ioniser and improved filter system	–	–	●	●
Ambient Lighting Premium	●	●	●	●
AMG floor mats	●	●	●	●
AMG Line interior	●	●	●	●
Belt feeder	●	●	●	●
ENERGIZING package Plus – heated, multi-contour and climatized front seats, seven ENERGIZING Comfort packages and ENERGIZING COACH	–	–	●	●
Illuminated door sill panels with 'Mercedes-Benz' lettering	●	●	●	●
Interior Light package	●	●	●	●
KEYLESS-GO	●	●	●	●
KEYLESS-GO starting function	●	●	●	●
Seats – folding backrests, rear	●	●	●	●
Seats – four-way lumbar support	●	●	–	–
Seats – heated, front	●	●	●	●
Seats – Memory package – driver's seat, front passenger seat, steering column and exterior mirrors – electrically adjustable with memory; includes electro-pneumatic four-way lumbar support and seat cushion depth adjustment (6 cm)	●	●	●	●
Seats – multi-contour and climatized, front	–	–	●	●
Stowage Space package	●	●	●	●
THERMATIC automatic climate control	●	●	●	●



# Standard equipment

● Standard    – Not available

## Wheels

	AMG Line	AMG Line Premium	AMG Line Premium Plus	Premier Edition
18" AMG alloy wheels – 5-twin-spoke design, aerodynamically optimised, painted black with a high-sheen finish, with 245/45 R18 tyres (front) and 275/40 R18 tyres (rear) (code RSK)	●	–	–	–
19" AMG alloy wheels – multi-spoke design, aerodynamically optimised, painted black with a high-sheen finish, with 245/40 R19 tyres (front) and 275/35 R19 tyres (rear) (code RVA)	–	●	–	–
20" AMG alloy wheels – multi-spoke design, aerodynamically optimised, painted black with a high-sheen finish, with 245/35 R20 (front) and 275/30 R20 (rear) (code RVM)	–	–	●	–
20" AMG alloy wheels – multi-spoke design, aerodynamically optimised, painted black with a high-sheen rim flange, with 245/35 R20 (front) and 275/30 R20 (rear) (code RVN)	–	–	–	●
Summer tyres	●	●	●	●

## Paint, Trim and Upholstery

Centre console – high-gloss black	–	–	–	●
Centre console – mixed fabric-look finish with metal effect	●	●	●	–
Instrument panel and beltlines in ARTICO man-made leather in nappa look	●	●	●	●
Paint – non-metallic	●	●	●	●
Roof lining – black fabric	●	●	●	●
Trim – AMG carbon fibre	–	–	–	●
Trim – anthracite linestructure lime wood	●	●	–	–
Trim – black open-pore aluminium line wood	–	–	●	–
Upholstery – leather	●	●	●	–
Upholstery – nappa leather	–	–	–	●

## Steering

	AMG Line	AMG Line Premium	AMG Line Premium Plus	Premier Edition
Heated steering wheel	–	–	–	●
Multifunction sport steering wheel in nappa leather	●	●	●	●
Steering column – electrically adjustable for height and reach	●	●	●	●

## Safety and Assistance Systems

Active Brake Assist <sup>1</sup>	●	●	●	●
Active Lane Keeping Assist <sup>1</sup>	●	●	●	●
Anti-theft alarm system	●	●	●	●
Blind Spot Assist <sup>1</sup>	●	●	●	●
Centre airbag	●	●	●	●
Evasive manoeuvre support	●	●	●	●
Fingerprint scanner	●	●	●	●
Fluorescent jacket for driver	●	●	●	●
Increased anti-theft protection	●	●	●	●
Interior monitoring system	●	●	●	●
GUARD 360° vehicle protection Plus <sup>2</sup>	●	●	●	●
Passive person presence reminder	●	●	●	●
Parking – Active Parking Assist <sup>1</sup> with PARKTRONIC	●	●	●	●
Parking – Parking package with reversing camera	●	–	–	–
Parking – Parking package with 360° camera	–	●	●	●

<sup>1</sup>Our driver assistance and safety systems are aids and do not relieve you of your responsibility as the driver. Please take note of the information in the Owner's Manual and the system limits which are described therein of network providers

<sup>2</sup>The connection of the communication module to the mobile phone network including the emergency call system depends on the respective network coverage and availability

# Standard equipment

● Standard    – Not available

## Safety and Assistance Systems (continued)

	AMG Line	AMG Line Premium	AMG Line Premium Plus	Premier Edition
Pedestrian protection	●	●	●	●
PRE-SAFE® system	●	●	●	●
Traffic Sign Assist <sup>1</sup> – traffic sign recognition including wrong-way warning function and display of posted speed limits in the instrument cluster	●	●	●	●
Tyre pressure monitoring system	●	●	●	●

## Communications and In-Car Entertainment

	AMG Line	AMG Line Premium	AMG Line Premium Plus	Premier Edition
5G communications module <sup>2</sup> for the use of Mercedes me connect services	●	●	●	●
11.9-inch media display screen	●	●	●	●
12.3-inch driver display screen	●	●	●	●
Burmester® 3D surround sound with sound personalisation	–	–	●	●
DAB digital radio	●	●	●	●

	AMG Line	AMG Line Premium	AMG Line Premium Plus	Premier Edition
Dashcam	●	●	●	●
Extended MBUX functions	●	●	●	●
Fingerprint Scanner	●	●	●	●
Hard-disk navigation	●	●	●	●
Head-up display	–	–	●	●
MBUX augmented reality for navigation	–	●	●	●
MBUX multimedia system <sup>3</sup>	●	●	●	●
MBUX Navigation Premium <sup>2</sup>	●	●	●	●
Smartphone integration <sup>4</sup> including Apple CarPlay® and Android Auto™	●	●	●	●
USB package Plus	●	●	●	●
Wireless charging for mobile devices in the front <sup>4</sup>	●	●	●	●

<sup>1</sup>Our driver assistance and safety systems are aids and do not relieve you of your responsibility as the driver. Please take note of the information in the Owner's Manual and the system limits which are described therein

<sup>2</sup>The connection of the communication module to the mobile phone network including the emergency call system depends on the respective network coverage and availability of network providers

<sup>3</sup>LINGUATRONIC off-board functions are currently only available for three years

<sup>4</sup>Compatible mobile phone required. Please check [www.mercedes-benz-mobile.com](http://www.mercedes-benz-mobile.com) for details or contact your local Mercedes-Benz Agent for further information



# Standard equipment Mercedes-AMG

● Standard – Not available

## Engine, Transmission and Suspension

	AMG Night Edition Premium Plus	AMG Premium
9G-TRONIC PLUS 9-speed automatic transmission	●	●
AMG RIDE CONTROL suspension with adjustable damping	●	●
AMG DYNAMIC SELECT with a choice of five driving modes (Slippery, Comfort, Sport, Sport+, Individual)	●	●
Integrated Starter Generator Generation 2	●	●

## Exterior

Ambient lighting with projection of brand logo	●	●
AMG Exterior Night package	–	●
AMG fuel cap	●	●
AMG specific radiator grille with vertical struts in high-gloss chrome and AMG logo	●	●
AMG spoiler lip	●	●
Boot lid convenience closing feature	●	●
Brake callipers – painted in grey	●	●
Flared wheel arches	●	●
Fuel tank – 66-litres	●	●
Headlamps – DIGITAL LIGHT with Adaptive Highbeam Assist Plus	●	●
Heat-insulating, dark-tinted glass	●	●
KEYLESS-GO Comfort package – including HANDS-FREE ACCESS, boot lid convenience closing, KEYLESS-GO access and drive authorisation system, KEYLESS-GO starting function, an electronic vehicle key which communicates with the vehicle within a range of two metres from the respective door, door handles with chrome inserts, remote boot closing and EASY-PACK tailgate	●	●
Mercedes-AMG exterior	●	●
Mirror package – electrically-folding exterior mirrors and automatically-dimming rear-view mirror	●	●
Panoramic glass sliding sunroof	●	●

Petrol Particulate Filter (PPF) – all petrol engines	●	●
Tail lamps – full LED	●	●
Windscreen wipers with rain sensor	●	●

## Interior

AIR BALANCE package – fragrance generator, ioniser and improved filter system	–	●
Ambient Lighting Premium	●	●
AMG floor mats	●	●
Belt feeder	●	●
Double cup holder	●	●
ENERGIZING package Plus – heated, multi-contour and climatized front seats, seven ENERGIZING Comfort packages and ENERGIZING COACH	–	●
Illuminated door sill panels with 'AMG' lettering and with exchangeable cover	●	●
Interior Light package	●	●
Mercedes-AMG interior	●	●
Seats – folding backrests, rear	●	●
Seats – four-way lumbar support	●	●
Seats – heated, front	●	●
Seats – Memory package – driver's seat, front passenger seat, steering column and exterior mirrors – electrically adjustable with memory; includes electro-pneumatic four-way lumbar support and seat cushion depth adjustment (6 cm)	●	●
Seats – multi-contour and climatized, front	●	●
Stowage Space package	●	●
THERMATIC automatic climate control	●	●

# Standard equipment Mercedes-AMG

● Standard – Not available

## Wheels

	AMG Night Edition Premium Plus	AMG Premium
20" AMG alloy wheels – Y-spoke design, aerodynamically optimised, painted matt black with a high-sheen finish, with 265/35 R20 tyres (front) and 295/30 R20 tyres (rear) (code RTM)	●	–
20" AMG alloy wheels – Y-spoke design, aerodynamically optimised, painted matt black with a high-sheen rim flange, with 265/35 R20 tyres (front) and 295/30 R20 tyres (rear) (code RTN)	–	●
Summer tyres	●	●

## Paint, Trim and Upholstery

	AMG Night Edition Premium Plus	AMG Premium
Centre console – high-gloss black	–	●
Centre console – mixed fabric-look finish with metal effect	●	–
Instrument panel and beltlines in ARTICO man-made leather in nappa look	●	●
Paint – non-metallic	●	●
Roof lining – black fabric	●	●
Trim – AMG carbon fibre	–	●
Trim – black open-pore aluminium line wood	●	–
Upholstery – AMG leather black	●	●

## Steering

	AMG Night Edition Premium Plus	AMG Premium
AMG Performance steering wheel in nappa leather with AMG steering wheel buttons	●	–
AMG Performance steering wheel in nappa leather/MICROCUT microfibre with AMG steering wheel buttons	–	●
Rear axle steering	●	●
Steering – Sports Direct-Steer system with speed sensitive steering	●	●

## Safety and Assistance Systems

	AMG Night Edition Premium Plus	AMG Premium
Active bonnet – pedestrian safety measure which detects an impact and raises bonnet	●	●
Active Brake Assist <sup>1</sup>	●	●
Active Lane Keeping Assist <sup>1</sup>	●	●
Adaptive brake lights	●	●
Adaptive Brake Assist with HOLD function and brake-drying function	●	●
Anti-lock braking system (ABS)	●	●
ATTENTION ASSIST – can help alert to long journey fatigue	●	●
Automatic child seat recognition sensor	●	●
Automatic front passenger airbag deactivation	●	●
Blind Spot Assist <sup>1</sup>	●	●
Centre airbag	●	●
Central locking with interior switch, automatic locking and crash sensor with emergency opening function	●	●
Childproof locks – manually operated for rear doors and electrically operated for rear power windows	●	●
Dual-stage airbags – driver and front passenger; sidebags in front seats; driver kneebag; pelvis bag and windowbags for driver, front passenger and rear passengers; central airbag between driver and front passenger	●	●
Electronic parking brake	●	●
Electronic Stability Programme (ESP®)	●	●
Evasive manoeuvre support	●	●
First-aid kit and warning triangle	●	●
Fluorescent jacket for driver	●	●

<sup>1</sup>Our driver assistance and safety systems are aids and do not relieve you of your responsibility as the driver. Please take note of the information in the Owner's Manual and the system limits which are described therein

# Standard equipment Mercedes-AMG

● Standard    – Not available

## Safety and Assistance Systems (continued)

	AMG Night Edition Premium Plus	AMG Premium
Interior monitoring system	●	●
ISOFIX child seat attachment points with top tether in rear	●	●
GUARD vehicle protection <sup>1</sup> (Thatcham Category 1) consisting of a break-in and anti-theft alarm system (ATA), interior monitoring and tow-away protection	●	●
Mercedes-Benz Emergency Call System	●	●
Passive person presence reminder	●	●
Parking – Active Parking Assist <sup>2</sup> with PARKTRONIC	●	●
Parking – Parking package with 360° camera	●	●
Pedestrian protection	●	●
PRE-SAFE® system	●	●
Seat occupancy sensor for rear seats	●	●
Service indicator ASSYST	●	●
SPEEDTRONIC cruise control with variable speed limiter	●	●
Speed Limit Assist	●	●
TIREFIT with tyre inflation compressor	●	●
Traffic Sign Assist <sup>2</sup>	●	●
Tyre pressure monitoring system	●	●

## Communications and In-Car Entertainment

	AMG Night Edition Premium Plus	AMG Premium
5G communications module <sup>1</sup> for the use of Mercedes me connect services	●	●
11.9-inch high-resolution multimedia colour display	●	●
12.3-inch digital individually configurable instrument display	●	●
Burmester® 3D surround sound with sound personalisation	–	●
DAB digital radio	●	●
Dashcam	●	●
Extended MBUX functions	●	●
Fingerprint Scanner	●	●
Hard-disk navigation	●	●
Head-up display	–	●
MBUX augmented reality for navigation	●	●
MBUX Navigation Premium <sup>1</sup>	●	●
Smartphone integration <sup>3</sup> including Apple CarPlay® and Android Auto™	●	●
USB package Plus	●	●
Wireless charging for mobile devices in the front <sup>3</sup>	●	●

<sup>1</sup>The connection of the communication module to the mobile phone network including the emergency call system depends on the respective network coverage and availability of network providers as described therein    <sup>2</sup>Compatible mobile phone required. Please check [www.mercedes-benz-mobile.com](http://www.mercedes-benz-mobile.com) for details or contact your local Mercedes-Benz Agent for further information

<sup>3</sup>Our driver assistance and safety systems are aids and do not relieve you of your responsibility as the driver. Please take note of the information in the Owner's Manual and the system limits which



# Technical data

- Standard

Model	CLE200	CLE220 d	CLE300 4MATIC	CLE450 4MATIC	Mercedes-AMG CLE53 4MATIC+
<b>Engine</b>					
Fuel delivery	Petrol	Diesel	Petrol	Petrol	Petrol
Total displacement	cc 1,999	1,993	1,999	2,999	2,999
Arrangement/cylinders/valves	in-line/4/16	in-line/4/16	in-line/4/16	in-line/6/24	in-line/6/24
Power <sup>1</sup>	hp (kW) at rpm 204 (150)/5,800	197 (145)/3,600	258 (190)/5,800	381 (280)/5,800–6,100	449 (330)/5,800–6,100
Torque <sup>1</sup>	Nm at rpm 320/1,600–4,000	440/1,800–2,800	400/2,000–3,200	500/1,800–5,000	560/2,200–5,000
Compression ratio	12:01	15.5:1.0	10:01	10.5:1.0	10.5:1.0
Emissions standard	Euro 6d-ISC-FCM	Euro 6d-ISC-FCM	Euro 6d-ISC-FCM	Euro 6d-ISC-FCM	EU6e (EA)

<b>Transmission</b>					
9G-TRONIC PLUS 9-speed automatic	●	●	●	●	●

<b>Performance</b>					
Acceleration 0–62 mph	sec 7.4	7.5	6.2	4.4	4.2
Top speed	mph 149	148	155	155	155

<b>Weights and capacities</b>					
Kerb weight <sup>2</sup>	kg 1,790	1,870	1,855	1,945	2,000
Perm. Gross Vehicle Weight	kg 2,265	2,345	2,330	2,400	2,420
Boot capacity – seats up	l 420	420	420	420	420
Towing capacity – unbraked/braked	kg 750/1,800	750/1,800	750/1,800	750/1,800	750/1,800
Fuel tank capacity/of which reserve	l 66/7	66/7	66/7	66/7	65/7
Turning circle	m 11.2	11.2	11.7	11.7	12.3

<sup>1</sup>Figures according to Directive 80/1269/EEC in the currently applicable version    <sup>2</sup>Mass of the vehicle in running order with at least 90% full fuel tank, plus the mass of the driver (estimated by law at 75kg), fuel and fluids, equipped with the standard equipment as specified by the manufacturer as well as, where applicable, the mass of the body, cab, trailer coupling and spare wheel(s) as well as tools. Optional extras, additional equipment and accessories can influence the weight, residual payload, rolling resistance, aerodynamics, etc., and therefore also affect the consumption/CO<sub>2</sub> values

# Technical data

Model		CLE200	CLE220 d	CLE300 4MATIC	CLE450 4MATIC	Mercedes-AMG CLE53 4MATIC+
<b>Fuel consumption<sup>3,4,5</sup></b>						
Combined (consumption dependent on chosen optional equipment)	l/100 km mpg	6.6-6.4 42.8-44.1	4.8-4.7 58.9-60.1	7.2-7.1 39.2-39.8	7.8-7.7 36.2-36.7	9.6 29.4

<b>Insurance</b>						
Group rating		35E-37E	36E-38E	40E	43E	44E

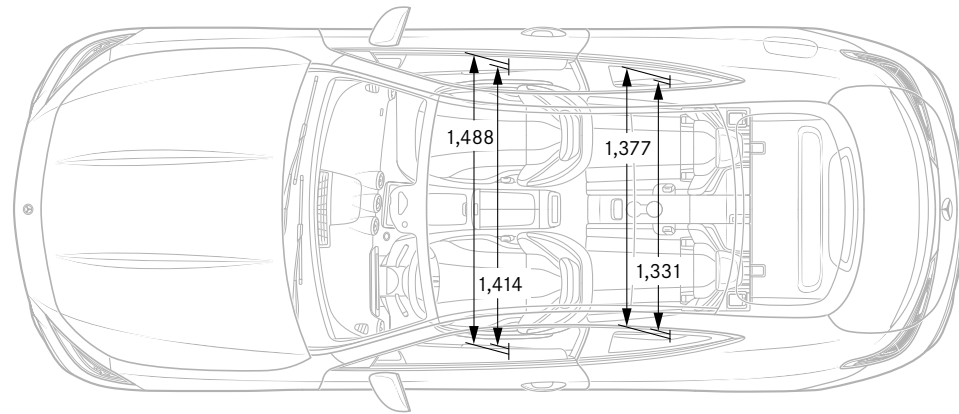
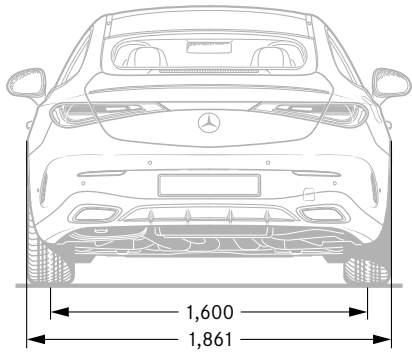
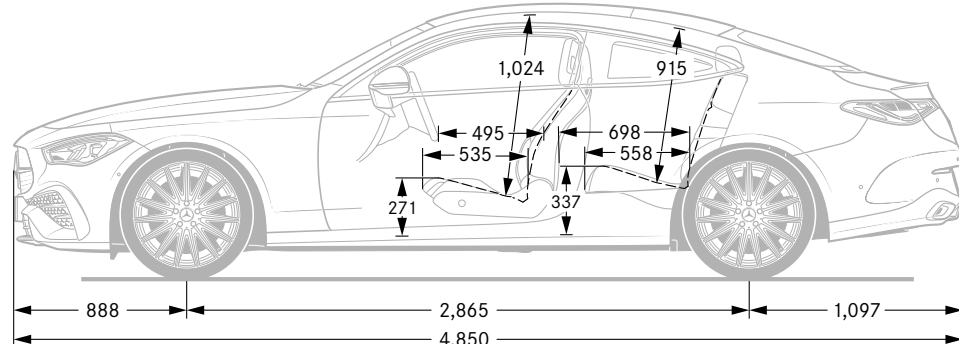
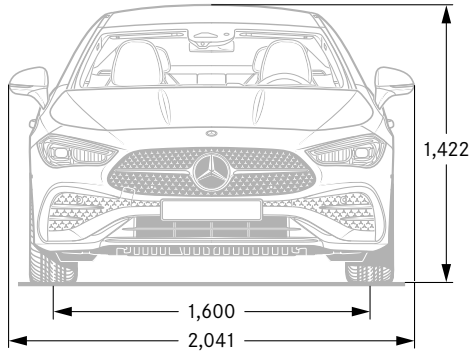
Insurance ratings may vary depending on model line and specification. Please refer to <http://www.thatcham.org/abigrouprating/> for further details

<sup>3</sup>All figures are based on a standard specification with the smallest tyre size available in the UK

<sup>4</sup>The choice of wheels and transmission may affect CO<sub>2</sub> emissions and corresponding Road Fund Licence

<sup>5</sup>The indicated values were determined according to the prescribed measurement method - Worldwide Harmonised Light Vehicle Test Procedure (WLTP). Figures shown may include options which are not available in the UK

# AMG Line

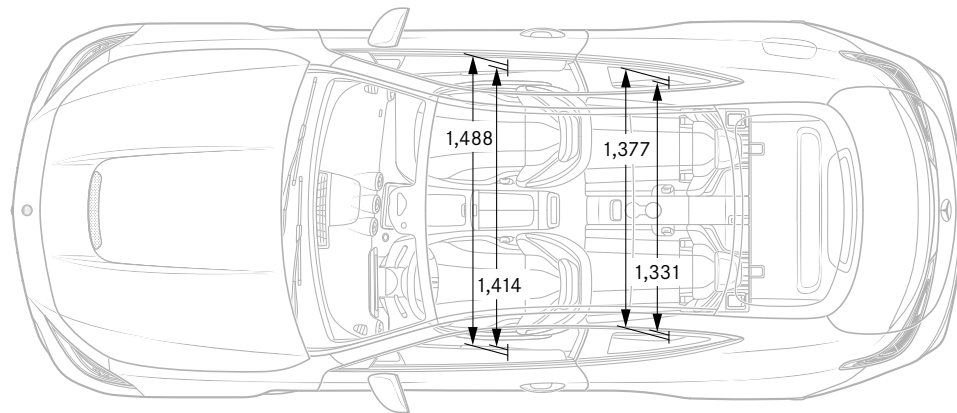
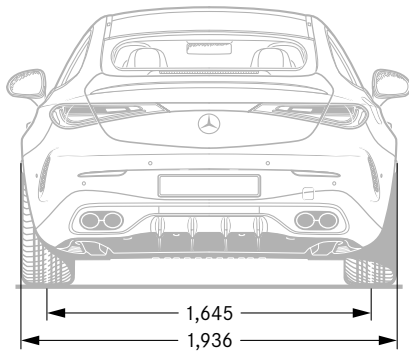
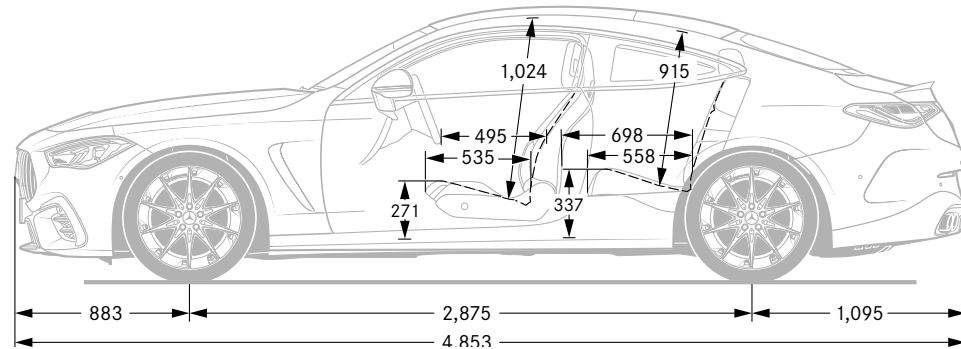
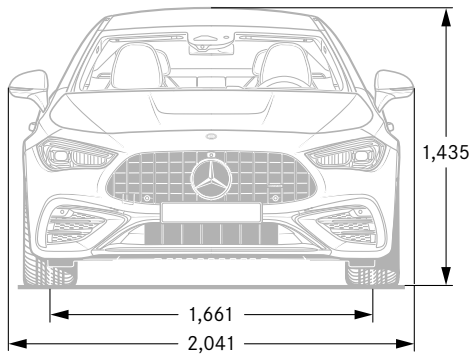


All measurements in millimetres. The dimensions shown are mean values and apply to standard-specification, unladen vehicles

Design	Technology	Model lines	Upholstery	Model prices	Mercedes-AMG	Mercedes-AMG upholstery	Mercedes-AMG prices	Personalisation	Standard equipment	Technical data	Additional information
--------	------------	-------------	------------	--------------	--------------	-------------------------	---------------------	-----------------	--------------------	----------------	------------------------



# Mercedes-AMG CLE 53 4MATIC+



All measurements in millimetres. The dimensions shown are mean values and apply to standard-specification, unladen vehicles

Design	Technology	Model lines	Upholstery	Model prices	Mercedes-AMG	Mercedes-AMG upholstery	Mercedes-AMG prices	Personalisation	Standard equipment	Technical data	Additional information
--------	------------	-------------	------------	--------------	--------------	-------------------------	---------------------	-----------------	--------------------	----------------	------------------------

# Road Fund Licence

All road vehicle registrations are subject to Vehicle Excise Duty (Road Fund Licence), which varies in accordance with the vehicle's CO<sub>2</sub> emissions. A first year rate for each taxation band will apply. The table below shows the bands (A-M) created by the DVLA and the corresponding Road Fund Licence. CO<sub>2</sub> emissions and the relevant Excise Duty are shown on the model pricing pages.

Band	CO <sub>2</sub> emissions (g/km)	First year rate petrol and RDE2 diesel (£)	First year rate alternative fuel (£)	Electric vehicles		Alternative fuel vehicles		Petrol/diesel vehicles	
				Standard rate (£)	Premium rate (£) <sup>1</sup>	Standard rate (£)	Premium rate (£) <sup>1</sup>	Standard rate (£)	Premium rate (£) <sup>1</sup>
A	0	0.00	0.00	0.00	0.00	0.00	0.00	0.00	0.00
B	1 to 50	10.00	0.00	0.00	0.00	170.00	560.00	180.00	570.00
C	51 to 75	30.00	20.00	0.00	0.00	170.00	560.00	180.00	570.00
D	76 to 90	130.00	120.00	0.00	0.00	170.00	560.00	180.00	570.00
E	91 to 100	165.00	155.00	0.00	0.00	170.00	560.00	180.00	570.00
F	101 to 110	185.00	175.00	0.00	0.00	170.00	560.00	180.00	570.00
G	111 to 130	210.00	200.00	0.00	0.00	170.00	560.00	180.00	570.00
H	131 to 150	255.00	245.00	0.00	0.00	170.00	560.00	180.00	570.00
I	151 to 170	645.00	635.00	0.00	0.00	170.00	560.00	180.00	570.00
J	171 to 190	1,040.00	1,030.00	0.00	0.00	170.00	560.00	180.00	570.00
K	191 to 225	1,565.00	1,555.00	0.00	0.00	170.00	560.00	180.00	570.00
L	226 to 255	2,220.00	2,210.00	0.00	0.00	170.00	560.00	180.00	570.00
M	over 255	2,605.00	2,595.00	0.00	0.00	170.00	560.00	180.00	570.00



Some of the model features, optional extras and colours shown may not be available, or may only be available in a different specification, or at a different price  
<sup>1</sup>Premium rate only applicable to vehicles where the list price is over £40,000 including any factory-fitted options, standard UK delivery charge and VAT

# Services and insurance

## Mercedes-Benz ServiceCare

We believe that servicing costs should be as flexible and affordable as possible for your new CLE, which is why we offer ServiceCare, an easy way to budget for all your servicing costs. It spreads your bills into manageable payments based on whether you have a new or used Mercedes-Benz. With ServiceCare we guarantee the price of parts and labour for up to four services and safeguard against any further inflation. It also covers the cost of all recommended service items including brake fluid, spark plugs, air filters, fuel filters and screen wash. You can choose either to add your servicing costs into your monthly spend or pay the full amount in a one-off payment, giving you peace of mind that they are taken care of for the period of the plan.

[› Click here for more information](#)

## Warranty and breakdown cover

Every Mercedes-Benz comes with a three-year unlimited mileage warranty against manufacturing or material defects<sup>1</sup> and up to 30 years warranty against perforation due to corrosion from the inside out.<sup>2</sup> What's more, it's also covered by Mercedes-Benz Roadside Assistance – a unique package comprising up to 30 years pan-European breakdown assistance.<sup>2</sup>

## Motor Insurance

Superb cover comes as standard. When reviewed by an independent research company, Defaqto, Mercedes-Benz Motor Insurance received a five-star rating, the highest rating available. We design our Motor Insurance specifically for Mercedes-Benz drivers.

[› Get a quote](#)



<sup>1</sup>Applies to vehicles sold by Mercedes-Benz in the UK to its franchised Retailers

<sup>2</sup>Subject to full Terms and Conditions, dependent on date of registration, available upon request

Mercedes-Benz Motor Insurance is underwritten by Aviva Insurance UK Limited. Credit provided, subject to status, by Mercedes-Benz Financial Services UK Ltd, MK15 8BA





Effective from November 2023 Production. Information correct at time of publication 23.01.2024.  
Prices and specifications are subject to change without prior notice.  
MBC236PL/0224 MY804

