



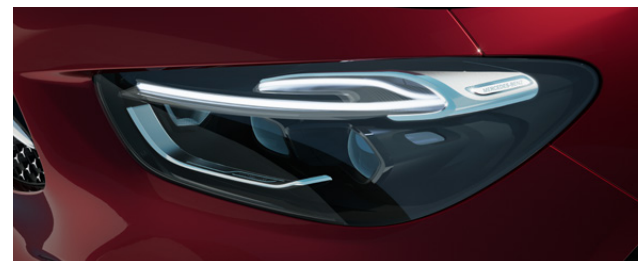
The B-Class

Effective from September 2024 Production.

Specification of current UK stock may vary.

Mercedes-Benz



[Book a test drive](#)[Find your B-Class](#)[Find a Showroom](#)

Some of the model features, optional extras and colours shown may not be available, or may only be available in a different specification, or at a different price.

Design	Technology	Model lines	Upholstery	Model prices	Personalisation	Standard equipment	Genuine accessories	Technical data	Additional information
--------	------------	-------------	------------	--------------	-----------------	--------------------	---------------------	----------------	------------------------



Book a test drive



Find your B-Class



Find a Showroom



Some of the model features, optional extras and colours shown may not be available, or may only be available in a different specification, or at a different price.

Design	Technology	Model lines	Upholstery	Model prices	Personalisation	Standard equipment	Genuine accessories	Technical data	Additional information
--------	------------	-------------	------------	--------------	-----------------	--------------------	---------------------	----------------	------------------------

[Book a test drive](#)[Find your B-Class](#)[Find a Showroom](#)

Some of the model features, optional extras and colours shown may not be available, or may only be available in a different specification, or at a different price.

Design	Technology	Model lines	Upholstery	Model prices	Personalisation	Standard equipment	Genuine accessories	Technical data	Additional information
------------------------	----------------------------	-----------------------------	----------------------------	------------------------------	---------------------------------	------------------------------------	-------------------------------------	--------------------------------	--



Book a test drive



Find your B-Class



Find a Showroom



B-Class

Technology

Some of the model features, optional extras and colours shown may not be available, or may only be available in a different specification, or at a different price.

Design	Technology	Model lines	Upholstery	Model prices	Personalisation	Standard equipment	Genuine accessories	Technical data	Additional information
--------	------------	-------------	------------	--------------	-----------------	--------------------	---------------------	----------------	------------------------



Mercedes-Benz User Experience (MBUX)

Transforming the in-car user experience, thanks to MBUX: Controlled via voice or touch input, the innovative infotainment system can over time even predict personal habits thanks to artificial intelligence.

Voice control

- Activated by the keywords “Hey Mercedes”, the new intelligent voice control LINGUATRONIC¹ lets you control many of the infotainment functions, including destination input, phone calls or music selection
- MBUX is able to understand different accents and will adjust to you over time
- MBUX even understands indirect commands. Feeling chilly? Just say “I feel cold” and MBUX will adjust the temperature for you

Touch inputs

- Beside voice control you can operate MBUX via touchscreen as well as touch control buttons on the steering wheel

Personalisation

- Turn the B-Class into your very own Mercedes-Benz by personalising driving modes, radio stations and much more
- Your personal settings can be saved in up to seven different profiles, making your driving experience the best one possible
- Thanks to artificial intelligence, MBUX is able to learn and adapt over time. It will be able to predict your personal habits, such as navigation for frequently-driven routes, or the radio station you like to listen to on your way home from work

Maintenance and service

- Wondering when the next service is due? Or how much further you can drive until you need to stop at a petrol station? Just ask your MBUX – it will tell you the answer



¹The connection of the communication module to the mobile phone network including the emergency call system depends on the respective network coverage and availability of network providers

¹LINGUATRONIC off-board functions are currently only available for three years

Design	Technology	Model lines	Upholstery	Model prices	Personalisation	Standard equipment	Genuine accessories	Technical data	Additional information
--------	------------	-------------	------------	--------------	-----------------	--------------------	---------------------	----------------	------------------------

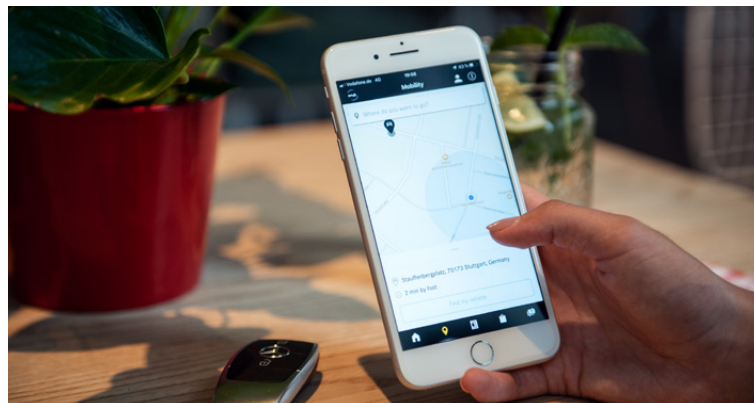
Digital Extras

Stay connected any time, anywhere.

Digital Extras are a range of innovative online services designed to enhance your Mercedes-Benz experience. Accessible via mobile, tablet or PC, Digital Extras let you enjoy the highest standards of care and support, in a way that integrates seamlessly with your busy lifestyle.

Safety and Service – Digital Extras help to keep you and your car safe

Check your car's oil level, tyre pressure and fuel from your phone so you'll be ready for every journey.



Infotainment – Online and Entertainment services

Love music? Get a 3-month free subscription to Tidal when you connect your car.

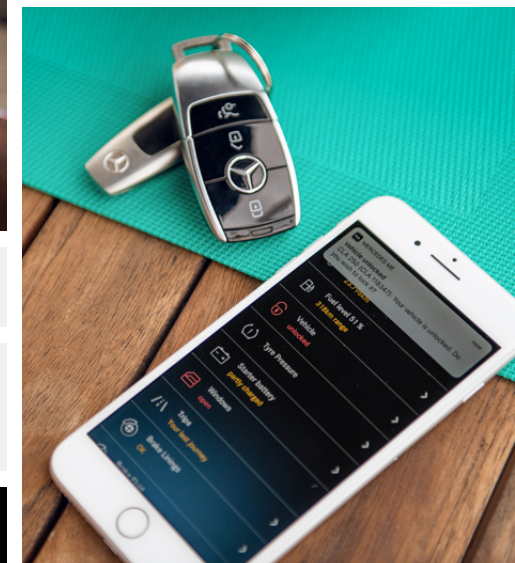
Live Traffic Information, Parked Vehicle Locator and much more

Forgot where you've parked? Parked Vehicle Locator¹ will show you exactly where your car is as long as you're in a 1-mile radius of where you parked. Real-time traffic data and dynamic route with shorter journey times.

For more information speak to your local Mercedes-Benz Agent or visit the Mercedes-Benz store at shop.mercedes-benz.com/en-gb/connect

Comfort – connect to your car anytime, anywhere

Forgot to lock your car? With Remote Car Lock² you will receive a notification on your smartphone to let you know. With one tap, you can lock and unlock your vehicle so you never have to worry.



¹The connection of the communication module to the mobile phone network including the emergency call system depends on the respective network coverage and availability of network providers

²Available on all models with the Vehicle Monitoring package. This option may vary between standard and additional cost dependent on the model

³Part of the Vehicle Status package. This option may vary between standard and additional cost dependent on the model

Images shown are for illustration purposes only



Book a test drive



Find your B-Class



Find a Showroom

B-Class Model lines overview



Sport Executive »



AMG Line Premium »



AMG Line Executive »



AMG Line Premium Plus »

Design

Technology

Model lines

Upholstery

Model prices

Personalisation

Standard equipment

Genuine accessories

Technical data

Additional information

B-Class Sport Executive Standard equipment highlights



Engine, Transmission and Suspension

Driving modes – DYNAMIC SELECT with a choice of driving modes: Eco, Comfort, Sport and Individual

ECO start/stop function

Suspension – lowered comfort suspension

OTR from **£35,435¹**

¹The recommended on-the-road price includes the Road Fund Licence applicable to the standard model plus delivery charge (£730.00 incl. VAT), new vehicle registration fee (£55.00), fuel (£50.00 incl. VAT), and number plates (£25.00 incl. VAT). VAT is calculated at the standard rate of 20%. Some of the model features, optional extras and colours shown may not be available, or may only be available in a different specification, or at a different price

Exterior

17" alloy wheels – 5-spoke design, aerodynamically optimised, painted black with a high-sheen finish (code 25R)

EASY-PACK tailgate

LED High Performance headlamps with integrated LED daytime running lights and Adaptive Highbeam Assist

Mirror package

Privacy glass

Radiator grille with central Mercedes star and single louvre in matt grey

Summer tyres



Design	Technology	Model lines	Upholstery	Model prices	Personalisation	Standard equipment	Genuine accessories	Technical data	Additional information
--------	------------	-------------	------------	--------------	-----------------	--------------------	---------------------	----------------	------------------------



Interior

Ambient lighting – 64 colours

Centre armrest – front, with stowage

Comfort seats with adjustable head restraints

Fingerprint scanner

Heated front seats

KEYLESS-GO starting function

Rear armrest with two cup holders

Rear seats with fore/aft adjustment

Steering wheel – multifunction sports steering wheel in ARTICO man-made leather with black topstitching and bezel in silver chrome

THERMATIC automatic climate control, one-zone; automatically controlled air distribution

Velour floor mats

Communications, Safety and Assistance Systems

10.25-inch touchscreen media display

Active Brake Assist¹

ATTENTION ASSIST

Blind Spot Assist

Exit warning function

Digital Extras: Remote and Navigation services²

Hard-disk navigation with three years free Live Traffic Information²

KEYLESS-GO Comfort package

MBUX multimedia system including DAB digital radio

Parking – Parking package with 180° camera

Smartphone integration³ including Apple CarPlay® and Android Auto™

Speed Limit Assist

USB package Plus

Wireless charging³

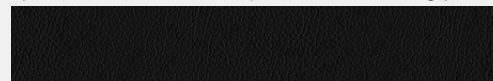
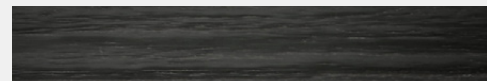
¹Our driver assistance and safety systems are aids and do not relieve you of your responsibility as the driver. Please take note of the information in the Owner's Manual and the system limits which are described therein ²The connection of the communication module to the mobile phone network including the emergency call system depends on the respective network coverage and availability of network providers ³Compatible mobile phone required



Trim and Upholstery

Black open-pore linden wood

ARTICO man-made leather black (also available as a no-cost option in macchiato beige)



B-Class AMG Line Executive Standard equipment highlights



Option shown: mountain grey metallic (code 787)



Option shown: mountain grey metallic (code 787)

In addition to/replacement of Sport Executive:

Exterior

18" AMG alloy wheels – 5-twin-spoke design, aerodynamically optimised, painted black with a high-sheen finish (code RQT)

AMG bodystyling – AMG front apron with front splitter, AMG side sill panels and AMG rear apron with visible exhaust tailpipe trim elements

Radiator grille with Mercedes-Benz pattern in chrome and central Mercedes star as well as single louvre in matt iridium silver with chrome inlay

Summer tyres



OTR from **£37,860¹**
Upgrade price from Sport Executive **£2,425**

¹The recommended on-the-road price includes the Road Fund Licence applicable to the standard model plus delivery charge (£730.00 incl. VAT), new vehicle registration fee (£55.00), fuel (£50.00 incl. VAT), and number plates (£25.00 incl. VAT). VAT is calculated at the standard rate of 20%. Some of the model features, optional extras and colours shown may not be available, or may only be available in a different specification, or at a different price

Design	Technology	Model lines	Upholstery	Model prices	Personalisation	Standard equipment	Genuine accessories	Technical data	Additional information
--------	------------	-------------	------------	--------------	-----------------	--------------------	---------------------	----------------	------------------------



Steering wheel heater

Interior

AMG floor mats

Pedals – brushed stainless steel sports pedals with rubber studs

Seats – rear seat backrests, split-folding (40:20:40)

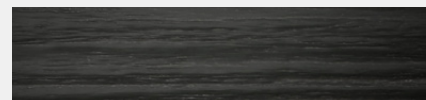
Sports seats – optimise lateral support for dynamic driving and at the same time provide comfort for everyday use

Steering wheel – 3-spoke multifunction sports steering wheel in nappa leather with flattened bottom section and perforated grip area

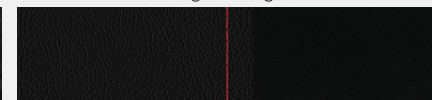
Winter package – seat heating for driver and front passenger, steering wheel heater, heated windscreen washer system

Trim and Upholstery

Black open-pore linden wood



ARTICO man-made leather/MICROCUT microfibre black with contrasting stitching in red



B-Class AMG Line Premium Standard equipment highlights



In addition to/replacement of AMG Line Executive:

Exterior

19" AMG alloy wheels – 5-twin-spoke design, aerodynamically optimised, painted titanium grey with a high-sheen finish (code RVZ)

Summer tyres



OTR from **£39,465¹**
Upgrade price from AMG Line Executive **£1,605**

¹The recommended on-the-road price includes the Road Fund Licence applicable to the standard model plus delivery charge (£730.00 incl. VAT), new vehicle registration fee (£55.00), fuel (£50.00 incl. VAT), and number plates (£25.00 incl. VAT). VAT is calculated at the standard rate of 20%. Some of the model features, optional extras and colours shown may not be available, or may only be available in a different specification, or at a different price



Interior

Door sills with 'Mercedes-Benz' lettering, illuminated and with exchangeable cover

Memory package - driver's and front passenger seat, electrically adjustable with memory function and lumbar support

THERMOTRONIC luxury automatic climate control, two-zone, with display

Communications, Safety and Assistance Systems

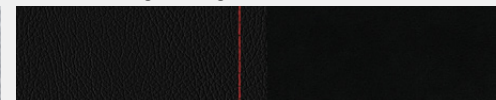
Sound system - Mercedes-Benz advanced sound system, 225 W



Trim and Upholstery

Light longitudinal-grain aluminium trim elements

ARTICO man-made leather/MICROCUT microfibre black with contrasting stitching in red



B-Class AMG Line Premium Plus Standard equipment highlights



Option shown: high-tech silver metallic (code 922)



Option shown: high-tech silver metallic (code 922)

In addition to/replacement of AMG Line Premium:

Exterior

19" AMG alloy wheels – multi-spoke design, aerodynamically optimised, painted black with a high-sheen rim flange (code RUH)

MULTIBEAM LED headlamps with Adaptive Highbeam Assist Plus

Night package – central Mercedes star and single radiator grille louvre in high-gloss black with chrome insert, exterior mirror housings painted in solid paint finish night black, beltline and windowline trim strip in high-gloss black, heat-insulating dark-tinted glass from B-pillar, AMG front apron with front splitter in high-gloss black and AMG rear apron with trim elements in high-gloss black

Panoramic sliding sunroof

Summer tyres



OTR from **£42,490¹**
Upgrade price from AMG Line Premium **£3,025**

¹The recommended on-the-road price includes the Road Fund Licence applicable to the standard model plus delivery charge (£730.00 incl. VAT), new vehicle registration fee (£55.00), fuel (£50.00 incl. VAT), and number plates (£25.00 incl. VAT). VAT is calculated at the standard rate of 20%. Some of the model features, optional extras and colours shown may not be available, or may only be available in a different specification, or at a different price



Communications, Safety and Assistance Systems

Head-up display

Parking - Parking Package with 360° camera

Traffic Sign Assist - a camera scans speed limit signs, so navigation data always displays the current limit

Head-up display



Trim and Upholstery

Light longitudinal-grain aluminium trim elements

ARTICO man-made leather/MICROCUT microfibre black with contrasting stitching in red

Upholstery

● Standard □ No-cost option – Not available



101A ARTICO man-made leather - black

Sport Executive	●
All AMG Line variants	–



105A ARTICO man-made leather - macchiato beige/black

Sport Executive	□
All AMG Line variants	–



651A ARTICO man-made leather/MICROCUT microfibre - black with contrasting stitching in red

Sport Executive	–
All AMG Line variants	●



Model prices

Model line	Engine	Transmission	CO ₂ WLTP ^{1*}	Basic RRP excl. VAT (£)	Total RRP incl. VAT (£)	Road Fund Licence (£) ² WLTP	Rec. OTR price (£) ³ WLTP	P11D value (£)	BiK tax rate 2024/25 (%) ²
Sport Executive									
B200	Petrol – 1,332 cc, 4-cylinder, 163 hp/120 kW Mild hybrid drive – 14 hp/10 kW	7G-DCT 7-speed automatic	140	28,595.83	34,315.00	260.00	35,435.00	35,120.00	33
B200 d	Diesel – 1,950 cc, 4-cylinder, 150 hp/110 kW	8G-DCT 8-speed automatic	135	29,512.50	35,415.00	270.00	36,545.00	36,220.00	32
AMG Line Executive									
B200	Petrol – 1,332 cc, 4-cylinder, 163 hp/120 kW Mild hybrid drive – 14 hp/10 kW	7G-DCT 7-speed automatic	141	30,616.67	36,740.00	260.00	37,860.00	37,545.00	33
B200 d	Diesel – 1,950 cc, 4-cylinder, 150 hp/110 kW	8G-DCT 8-speed automatic	137	31,533.33	37,840.00	270.00	38,970.00	38,645.00	32
AMG Line Premium									
B200	Petrol – 1,332 cc, 4-cylinder, 163 hp/120 kW Mild hybrid drive – 14 hp/10 kW	7G-DCT 7-speed automatic	149	31,954.17	38,345.00	260.00	39,465.00	39,150.00	34
B200 d	Diesel – 1,950 cc, 4-cylinder, 150 hp/110 kW	8G-DCT 8-speed automatic	143	32,870.83	39,445.00	270.00	40,575.00	40,250.00	33
AMG Line Premium Plus									
B200	Petrol – 1,332 cc, 4-cylinder, 163 hp/120 kW Mild hybrid drive – 14 hp/10 kW	7G-DCT 7-speed automatic	150	34,475.00	41,370.00	260.00	42,490.00	42,175.00	35
B200 d	Diesel – 1,950 cc, 4-cylinder, 150 hp/110 kW	8G-DCT 8-speed automatic	145	35,391.67	42,470.00	270.00	43,600.00	43,275.00	34

¹The indicated values were determined according to the prescribed measurement method - Worldwide Harmonised Light Vehicle Test Procedure (WLTP). Figures shown may include options which are not available in the UK. ²Figures shown are for comparability purposes; only compare with other cars tested to the same technical procedures. Figures may not reflect real life driving results, which will depend upon a number of factors including the starting charge of the battery, factory-fitted options, accessories fitted (post registration), variations in weather, driving styles and vehicle load. Further information about the test used to establish fuel consumption and CO₂ figures can be found at <http://www.mercedes-benz.co.uk/WLTP> ³The B200 d engine is RDE (Real Driving Emissions) Step 2 Certified (Euro 6d). This results in a lower VED and BiK rate as these engines will not be subject to the diesel surcharge. A different first year rate of Vehicle Excise Duty (Road Fund Licence) applies for new cars. Please refer to page 31 for the relevant rate for the second and subsequent years ⁴The recommended on-the-road price includes the Road Fund Licence applicable to the standard model plus delivery charge (£730.00 incl. VAT), new vehicle registration fee (£55.00), fuel (£50.00 incl. VAT), and number plates (£25.00 incl. VAT). VAT is calculated at the standard rate of 20%. Some of the model features, optional extras and colours shown may not be available, or may only be available in a different specification, or at a different price

Design	Technology	Model lines	Upholstery	Model prices	Personalisation	Standard equipment	Genuine accessories	Technical data	Additional information
--------	------------	-------------	------------	--------------	-----------------	--------------------	---------------------	----------------	------------------------

Colour options

Non-metallic, metallic and MANUFAKTUR paints

● Standard □ No-cost option ○ Optional - Not available



696 night black non-metallic

Sport Executive	●
AMG Line Executive	●
AMG Line Premium	●
AMG Line Premium Plus	●
Total RRP incl. VAT	-



191 cosmos black metallic

Sport Executive	○
AMG Line Executive	○
AMG Line Premium	○
AMG Line Premium Plus	○
Total RRP incl. VAT	£625.00



922 high-tech silver metallic

Sport Executive	○
AMG Line Executive	○
AMG Line Premium	○
AMG Line Premium Plus	○
Total RRP incl. VAT	£625.00



993 MANUFAKTUR patagonia red metallic

Sport Executive	-
AMG Line Executive	○
AMG Line Premium	○
AMG Line Premium Plus	○
Total RRP incl. VAT	£825.00



149 polar white non-metallic

Sport Executive	□
AMG Line Executive	□
AMG Line Premium	□
AMG Line Premium Plus	□
Total RRP incl. VAT	-



787 mountain grey metallic

Sport Executive	○
AMG Line Executive	○
AMG Line Premium	○
AMG Line Premium Plus	○
Total RRP incl. VAT	£625.00



970 spectral blue metallic

Sport Executive	○
AMG Line Executive	○
AMG Line Premium	○
AMG Line Premium Plus	○
Total RRP incl. VAT	£625.00



662 MANUFAKTUR mountain grey magno¹

Sport Executive	-
AMG Line Executive	-
AMG Line Premium	-
AMG Line Premium Plus	○
Total RRP incl. VAT	£1,825.00

¹MANUFAKTUR magno matt paint finishes require extra care. Please refer to the Owner's Manual for instructions

Please note that, owing to limitations of on-screen representation, paint colours may differ from those shown

[Book a test drive](#)[Find your B-Class](#)[Find a Showroom](#)

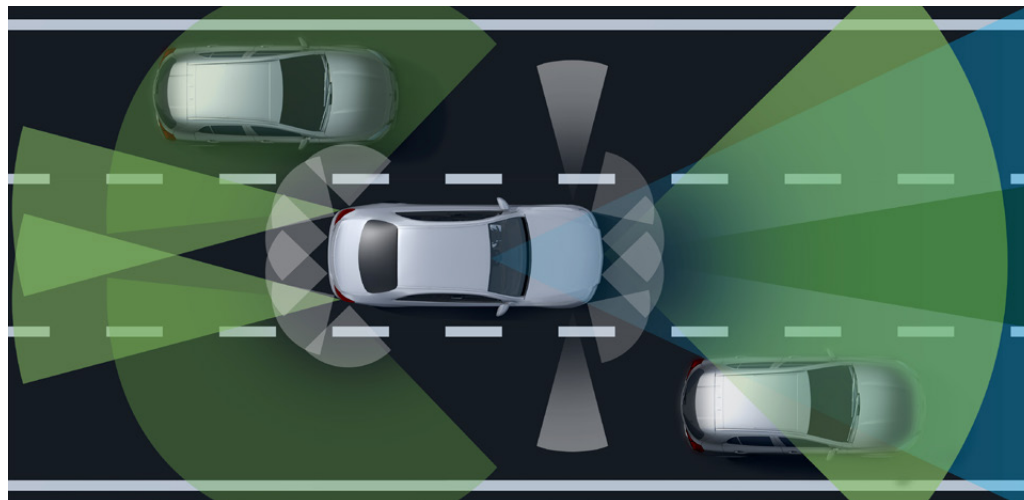
Driving Assistance package

The Driving Assistance package¹ contains a range of highly intelligent features to help you stay safe on the road – by making the drive more effortless, by warning of danger, and by taking steps to protect you in an emergency.

Driving Assistance package (code P79) – designed and priced as a package, including items listed on the right-hand side.

AMG Line Premium Plus only

Total incl. VAT £1,495.00



Active Blind Spot Assist can warn the driver of vehicles in the blind spot during a lane change

Active Braking Assist with cross-traffic function can help to avoid accidents with vehicles ahead, crossing traffic and also pedestrians, and/or mitigate their consequences

Active Distance Assist DISTRONIC helps maintain the desired distance from the vehicle in front

Active Emergency Stop Assist immediate emergency braking if evasion is impossible

Active Lane Keeping Assist aids the driver with changing lanes by means of steering torque as soon as the driver initiates the change by activating the direction indicator

Active Speed Limit Assist ensures detected speed limits are automatically adopted as the set speed for Active Distance Assist DISTRONIC

Active Steering Assist targeted steering intervention to prevent unintentional drifting out of lane

Evasive Steering Assist can support the driver in making evasive manoeuvres if, in a dangerous situation, he/she moves to avoid any pedestrian detected by the system

PRE-SAFE® system makes use of the time prior to an impending accident on your behalf. A host of measures are able to reduce the loads generated as a result

¹Our driver assistance and safety systems are aids and do not relieve you of your responsibility as the driver. Please take note of the information in the Owner's Manual and the system limits which are described therein

Design	Technology	Model lines	Upholstery	Model prices	Personalisation	Standard equipment	Genuine accessories	Technical data	Additional information
--------	------------	-------------	------------	--------------	-----------------	--------------------	---------------------	----------------	------------------------



Standard equipment

● Standard – Not available

Engine, Transmission and Suspension

	AMG Line Premium Plus	AMG Line Premium	AMG Line Executive	Sport Executive
Cruise Control with Limiter	●	●	●	●
Driving modes – DYNAMIC SELECT with a choice of driving modes: 'Eco', 'Comfort', 'Sport' and 'Individual'	●	●	●	●
ECO start/stop function	●	●	●	●
Suspension – lowered comfort suspension (lowered by 15 mm rear and 20 mm front)	●	●	●	●

Exterior

AMG bodystyling – AMG front apron with front splitter in matt iridium silver, AMG side sill panel in body-colour and AMG rear apron with visible tailpipe trim and chrome trim element	–	●	●	●
Beltline strips – chrome	●	–	–	–
Beltline strips – high-gloss aluminium	–	●	●	–
Beltline strips – high-gloss black	–	–	–	●
Bodystyling – side skirts, body-coloured	●	●	●	●
Bumpers – body-coloured	●	●	●	●
Door handles – body-coloured (chrome insert with KEYLESS-GO)	●	●	●	●
Door mirrors – electrically adjustable and heated, with integrated LED indicators	●	●	●	●
EASY-PACK tailgate	●	●	●	●
Exhaust system – twin trapezoidal tailpipes in polished stainless steel	●	●	●	●
Glass – rear windscreen, heated with timer control	●	●	●	●
Lights – high-level third brake light, LED	●	●	●	●
Lights – LED High Performance headlamps with integrated LED daytime running lights and Adaptive Highbeam Assist	●	●	●	–
Lights – LED tail lamps and LED brake lights	●	●	●	●

Lights – MULTIBEAM LED headlamps with Adaptive Highbeam Assist Plus – consisting of 18 individually-controllable, high-performance LEDs per MULTIBEAM LED module to implement a split main beam with 16 controllable individual segments; LED dippedbeam and main-beam headlamps; cornering light function with activated high beam as well as cornering light function with roundabout and cross-traffic functions; city light, country road light and motorway light modes; adaptive all-LED tail lights. Adaptive Highbeam Assist becomes active from a speed of 18.5 mph on roads with no street lighting, provides automatic main-beam control for permanent broad illumination of the carriageway, and partial switches off the LEDs of the MULTIBEAM LED main-beam module lights

Mirror package – exterior mirrors electrically foldable, via a button in the driver's door control panel. Via the menu the driver is able to define whether the outside mirrors are to be automatically folded in when the vehicle is locked and folded out again when it is unlocked. Self-dimming rear-view mirror, stepless, depending on the incident glare and ambient light

Night package – central Mercedes star and single radiator grille louvre in high-gloss black with chrome insert, exterior mirror housings painted in solid paint finish night black, beltline and windowline trim strip in high-gloss black, heat-insulating dark-tinted glass from B-pillar, AMG front apron with front splitter in high-gloss black and AMG rear apron with trim elements in high-gloss black

Panoramic glass sunroof

Privacy glass – heat-insulating dark-tinted glass with dark tinting on rear window and rear side windows

Radiator grille – radiator grille with central Mercedes star and single louvre in matt grey

Radiator grille – radiator grille with Mercedes-Benz pattern in chrome and central Mercedes star as well as single louvre in matt iridium silver with chrome inlay

Radiator grille – radiator grille with central Mercedes star and single radiator grille louvre in high-gloss black with chrome insert

Window line – chrome

Window line – high-gloss aluminium

Window line – high-gloss black

Wiper system – rear windscreen wiper

	AMG Line Premium Plus	AMG Line Premium	AMG Line Executive	Sport Executive
Lights – MULTIBEAM LED headlamps with Adaptive Highbeam Assist Plus – consisting of 18 individually-controllable, high-performance LEDs per MULTIBEAM LED module to implement a split main beam with 16 controllable individual segments; LED dippedbeam and main-beam headlamps; cornering light function with activated high beam as well as cornering light function with roundabout and cross-traffic functions; city light, country road light and motorway light modes; adaptive all-LED tail lights. Adaptive Highbeam Assist becomes active from a speed of 18.5 mph on roads with no street lighting, provides automatic main-beam control for permanent broad illumination of the carriageway, and partial switches off the LEDs of the MULTIBEAM LED main-beam module lights	–	–	–	●
Mirror package – exterior mirrors electrically foldable, via a button in the driver's door control panel. Via the menu the driver is able to define whether the outside mirrors are to be automatically folded in when the vehicle is locked and folded out again when it is unlocked. Self-dimming rear-view mirror, stepless, depending on the incident glare and ambient light	●	●	●	●
Night package – central Mercedes star and single radiator grille louvre in high-gloss black with chrome insert, exterior mirror housings painted in solid paint finish night black, beltline and windowline trim strip in high-gloss black, heat-insulating dark-tinted glass from B-pillar, AMG front apron with front splitter in high-gloss black and AMG rear apron with trim elements in high-gloss black	–	–	–	●
Panoramic glass sunroof	–	–	–	●
Privacy glass – heat-insulating dark-tinted glass with dark tinting on rear window and rear side windows	●	●	●	●
Radiator grille – radiator grille with central Mercedes star and single louvre in matt grey	●	–	–	–
Radiator grille – radiator grille with Mercedes-Benz pattern in chrome and central Mercedes star as well as single louvre in matt iridium silver with chrome inlay	–	●	●	–
Radiator grille – radiator grille with central Mercedes star and single radiator grille louvre in high-gloss black with chrome insert	–	–	–	●
Window line – chrome	●	–	–	–
Window line – high-gloss aluminium	–	●	●	–
Window line – high-gloss black	–	–	–	●
Wiper system – rear windscreen wiper	●	●	●	●



Standard equipment

● Standard – Not available

Wheels

	AMG Line Premium Plus	AMG Line Premium	AMG Line Executive	Sport Executive
17" alloy wheels – 5-spoke design, aerodynamically optimised, painted black with a high-sheen finish, 205/55 R17 tyres (code 25R)	●	–	–	–
18" AMG alloy wheels – 5-twin-spoke design, aerodynamically optimised, painted black with a high-sheen finish, 225/45 R 18 tyres (code RQT)	–	●	–	–
19" AMG alloy wheels – multi-spoke design, aerodynamically optimised, painted titanium grey with a high-sheen finish, 225/40 R19 tyres (code RVZ)	–	–	●	–
19" AMG alloy wheels – multi-spoke design, aerodynamically optimised, painted black with a high-sheen rim flange, 225/40 R19 tyres (code RUH)	–	–	–	●
Summer tyres	●	●	●	●

Interior

Air conditioning – air vents black with surround in matt silver	●	●	●	●
Air conditioning – THERMATIC automatic climate control, one-zone air conditioning, automatically controlled air distribution	●	●	–	–
Air conditioning – THERMOTRONIC luxury automatic climate control, two-zone, with display	–	–	●	●
Armrest – front centre, with stowage	●	●	●	●
Armrest – rear centre, with two cup holders	●	–	–	–
Cup holder – twin, front	●	●	●	●
Door sills – front door sills with 'Mercedes-Benz' lettering	●	●	●	●
Door sills – with 'Mercedes-Benz' lettering, illuminated and with exchangeable cover	–	–	●	●
Floor mats – AMG floor mats	–	●	●	●
Floor mats – velour	●	–	–	–
Fingerprint scanner	●	●	●	●

	AMG Line Premium Plus	AMG Line Premium	AMG Line Executive	Sport Executive
Freight packaging without tie-down hooks	●	●	●	●
Instrument cluster – fluid level warning indicators for fuel, oil, coolant and washer	●	●	●	●
Instrument cluster – outside temperature display	●	●	●	●
Instrument cluster – service indicator ASSYST	●	●	●	●
Instrument cluster – trip computer in multifunction display with consumption indicator	●	●	●	●
Interior lighting – 64-colour ambient lighting	●	●	●	●
Interior lighting – Light and Sight package	●	●	●	●
Interior lighting – mirror with reading lamps in black, frameless	●	●	●	●
KEYLESS-GO Comfort package with HANDS-FREE ACCESS – KEYLESS-GO access and drive authorisation functions enable all the doors to be unlocked and locked merely by touching the relevant door handle. And thanks to the handle recess illumination, you can also find the handle in the dark. With HANDS-FREE ACCESS, the tailgate can be opened and closed with a kicking motion, or at the touch of a button	●	●	●	●
Luggage net on driver's and front passenger's backrests	●	●	●	●
Memory package – driver's and front passenger seat, electrically adjustable with memory function and lumbar support	–	–	●	●
Pedals – brushed stainless steel sports pedals with rubber studs	–	●	●	●
Seats – comfort seats with adjustable head restraints	●	–	–	–
Seats – heated front seats	●	●	●	●
Seats – rear seat backrests, split-folding (40:20:40)	–	●	●	●
Seats – rear seats with fore/aft adjustment	●	–	–	–
Seats – Seat Comfort package consisting of front passenger seat height adjustment, seat cushion angle adjustment for the driver as well as seat cushion depth adjustment for improved seating comfort thanks to a 60 mm greater supporting surface for the thighs	●	●	●	●



Standard equipment

● Standard – Not available

Interior (continued)

	AMG Line Premium Plus	AMG Line Premium	AMG Line Executive	Sport Executive
Seats – sport seats with adjustable head restraints	–	●	●	●
Stowage – luggage compartment cover	●	●	●	●
Sun visor with illuminated vanity mirror	●	●	●	●
Windows – electric windows (4)	●	●	●	●
Winter package – seat heating for driver and front passenger (adjustable in 3 levels, switches down automatically), steering wheel heater, heated windscreen washer system	–	●	●	●

Steering

Steering – Direct-Steer system	●	●	●	●
Steering – speed-sensitive power steering	●	●	●	●
Steering column – manually adjustable for height and reach	●	●	●	●
Steering wheel – shift paddles	●	–	–	–
Steering wheel – galvanised shift paddles	–	●	●	●
Steering wheel – multifunction sports steering wheel in ARTICO man-made leather with black topstitching and bezel in silver chrome	●	–	–	–
Steering wheel – 3-spoke multifunction sports steering wheel in nappa leather with flattened bottom section and perforated grip area	–	●	●	●

Paint, Trim and Upholstery

	AMG Line Premium Plus	AMG Line Premium	AMG Line Executive	Sport Executive
Paint – non-metallic	●	●	●	●
Roof lining – black	●	●	●	●
Trim – black open-pore linden wood trim	●	●	–	–
Trim – light longitudinal-grain aluminium trim elements	–	–	●	●
Upholstery – ARTICO man-made leather/MICROCUT microfibre black with contrasting stitching in red	–	●	●	●
Upholstery – ARTICO man-made leather in black (also available in macchiato beige/black)	●	–	–	–

Safety and Assistance Systems

Active Brake Assist ¹ – with autonomous braking intervention	●	●	●	●
Active bonnet – pedestrian safety measure which detects an impact and raises bonnet by 65 mm	●	●	●	●
Airbags – dual-stage, driver and front passenger	●	●	●	●
Airbags – headbags and sidebags for driver and front passenger	●	●	●	●
Airbags – kneebag for driver	●	●	●	●
Airbags – windowbags for driver and front passenger	●	●	●	●
Alarm system with immobiliser and interior protection – Thatcham category 1 (T1)	●	●	●	●
ATTENTION ASSIST	●	●	●	●
Blind Spot Assist	●	●	●	●
Braking – Adaptive Brake Assist with HOLD function and Hill Start Assist	●	●	●	●
Braking – adaptive brake lights	●	●	●	●

¹Our driver assistance and safety systems are aids and do not relieve you of your responsibility as the driver. Please take note of the information in the Owner's Manual and the system limits which are described therein



Standard equipment

● Standard – Not available

Safety and Assistance Systems (continued)

	AMG Line Premium Plus	AMG Line Premium	AMG Line Executive	Sport Executive
Braking – anti-lock braking system (ABS) with Brake Assist (BAS)	●	●	●	●
Braking – brake-pad wear warning indicator	●	●	●	●
Braking – electric parking brake	●	●	●	●
Car wash mode – the exterior mirrors fold in, side windows and sliding roof close, windscreen wipers remain switched off and the climate control switches to air-recirculation mode	●	●	●	●
Crash-responsive emergency lighting	●	●	●	●
Electronic Stability Programme (ESP®) with Acceleration Skid Control (ASR)	●	●	●	●
ESP® Curve Dynamic Assist	●	●	●	●
Exit warning function	●	●	●	●
First-aid kit and warning triangle	●	●	●	●
Fluorescent jacket	●	●	●	●
GUARD 360° vehicle protection with anti-theft alarm system ¹	●	●	●	●
Headlamp Assist – automatic headlamp activation	●	●	●	●
KEYLESS-GO Comfort package – doors can be locked and unlocked simply by touching the handle without the need to take the key out of your pocket. Chrome insert on door handle	●	●	●	●
KEYLESS-GO starting function	●	●	●	●
Lamp failure indicator	●	●	●	●
Lane Keeping Assist	●	●	●	●

	AMG Line Premium Plus	AMG Line Premium	AMG Line Executive	Sport Executive
Locking – childproof rear doors (manually operated) and rear electric windows (electrically operated)	●	●	●	●
Locking – remote central locking and crash sensor with emergency opening function	●	●	●	●
Parking – Parking package with 360° camera	–	–	–	●
Parking – Parking package with 180° camera	●	●	●	–
Rain-sensing windscreen wipers with two sensitivity settings	●	●	●	●
Rear fog lamp	●	●	●	●
Seat belts – black	●	●	●	●
Seat belts – three-point, rear (3)	●	●	●	●
Seats – automatic child seat recognition sensor (pressure sensor)	●	●	●	●
Seats – front and rear seat belt reminder	●	●	●	●
Seats – front passenger seat occupancy sensor	●	●	●	●
Seats – ISOFIX and top-tether child seat fixing points in rear (two outer seats)	●	●	●	●
Speed Limit Assist	●	●	●	●
Traffic Sign Assist – a camera scans speed limit signs, so navigation data always displays the current limit	–	–	–	●
Tyres – TIREFIT tyre-sealant kit	●	●	●	●
Tyres – tyre pressure monitoring system	●	●	●	●

¹The connection of the communication module to the mobile phone network including the emergency call system depends on the respective network coverage and availability of network providers

[Book a test drive](#)[Find your B-Class](#)[Find a Showroom](#)

Standard equipment

● Standard – Not available

Communications and In-Car Entertainment

	AMG Line Premium Plus	AMG Line Premium	AMG Line Executive	Sport Executive
DAB digital radio tuner	●	●	●	●
Digital Extras (standard services) ¹ - including emergency call system (eCall) ³ , accident recovery, breakdown and maintenance management	●	●	●	●
Digital Extras - Remote and Navigation services ¹	●	●	●	●
Dual Bluetooth® interface	●	●	●	●
GPS aerial	●	●	●	●
Hard-disk navigation	●	●	●	●
Head-up display	–	–	–	●
“Hey Mercedes” voice activation	●	●	●	●
Instrument display - 10.25-inch digital display	●	●	●	●
Live Traffic Information ¹ (free for first three years)	●	●	●	●
MBUX multimedia system ²	●	●	●	●

	AMG Line Premium Plus	AMG Line Premium	AMG Line Executive	Sport Executive
Media display - 10.25-inch touchscreen display	●	●	●	●
Owner's Manual and Service Booklet - English	●	●	●	●
Pre-installation for private car sharing ¹	●	●	●	●
Smartphone integration ⁴ including Apple CarPlay® and Android Auto™	●	●	●	●
Sound system - Mercedes-Benz sound system, 100 W	●	●	–	–
Sound system - Mercedes-Benz advanced sound system, 225 W	–	–	●	●
USB package Plus - fast power supply for a smartphone or tablet: with four USB-C ports and a 12V socket, you and your passengers can easily charge mobile devices	●	●	●	●
Wireless charging ⁴	●	●	●	●

¹The connection of the communication module to the mobile phone network including the emergency call system depends on the respective network coverage and availability of network providers vehicle's lifecycle ⁴Compatible mobile phone required

²LINGUATRONIC off-board functions are currently only available for 3 years

³Please be aware Mercedes-Benz emergency call system comes as standard for the first 10 years of the

Genuine accessories

We've developed a range of Accessories you can add to help personalise and enhance your B-Class.



All-season floor mats dynamic squares

Floor mats have to undergo rigorous testing before they are deemed worthy of the star logo: durability, fade-resistant colour and a neutral odour. The mats are precision-tailored to your Mercedes-Benz.

(front: A17768080029G33;
rear: A24768002039G33)

KIDFIX XP child seat, with ISOFIT, ECE + China

Support and safety for older children too: The quality KIDFIX XP child seat is suitable for children between the ages of around 3.5 and 12 years (body weight of 15-36 kg) and is securely attached to the vehicle by means of ISOFIX. The front-facing seat can also be secured in place using the vehicle seat belt in addition to ISOFIT. If the vehicle is not equipped with ISOFIT, the ISOFIT locking latches are folding and the seat secured using only the three-point seat belt. (A0009704902)



Reversible mat

This anti-slip mat by Mercedes-Benz protects the boot floor during loading and unloading. Made from 100% polyester. Double-sided: with rubberised, non-slip side and high-quality velour side. Prevents cargo from sliding around. Protects the load compartment floor from dirt and damp. (A2476841500)



Mud flaps

The mud flaps protect the sides, rear and underbody of your vehicle from scratches and damage from loose chippings. They also protect following traffic from being struck by stones, water spray or mud. And they help minimise spray too. The mud flaps are precision-tailored to the contours of the vehicle. (front: A1778900600; rear: A2478903200)

All the above accessories are subject to availability and compatibility. Please ask your Mercedes-Benz Authorised Repairer for more information. Images shown are for illustration purposes only.

Design	Technology	Model lines	Upholstery	Model prices	Personalisation	Standard equipment	Genuine accessories	Technical data	Additional information
--------	------------	-------------	------------	--------------	-----------------	--------------------	---------------------	----------------	------------------------



Basic carrier bars

Aluminium carrier bars, precision-tailored to the body of your Mercedes-Benz – the perfect basis for a range of Mercedes-Benz transport accessories. With integral tool for quick, easy fitting. Asymmetrical aerodynamic profile enhances ride comfort by significantly reducing wind noise. Crash-tested. Lockable. (A2478902900)



Semi-automatic trailer coupling

Semi-automatic folding trailer coupling, specifically for Mercedes-Benz vehicles. High corrosion protection. (A1773101600)



Bicycle rack

Extremely lightweight bicycle rack, designed to allow you to attach a bicycle to the basic carrier bars. Please bear in mind your vehicle's permissible roof load. Bicycle racks are supplied singly. (A0008900293)



Roof box

Mercedes-Benz roof box, impact-resistant, sturdy, durable, recyclable, spray-protected. Opens on both sides. Single lock system with three locking mechanisms on each side. Gas-filled struts for easy opening and closing of lid. Maximum load capacity of 75 kg. Unladen weight 16 kg. (A0008401100)

All the above accessories are subject to availability and compatibility. Please ask your Mercedes-Benz Authorised Repairer for more information. Images shown are for illustration purposes only.

[Book a test drive](#)[Find your B-Class](#)[Find a Showroom](#)

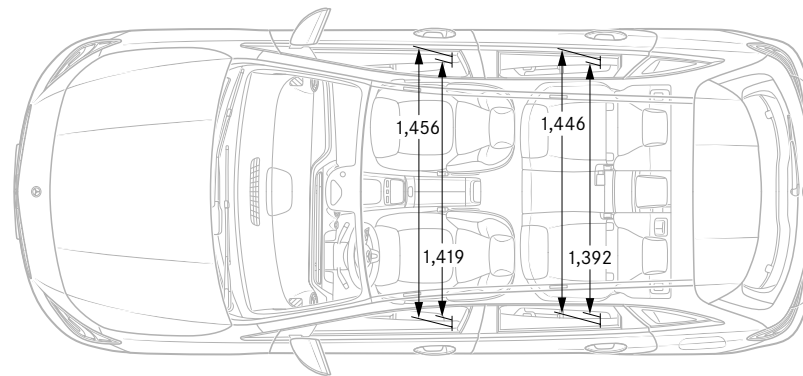
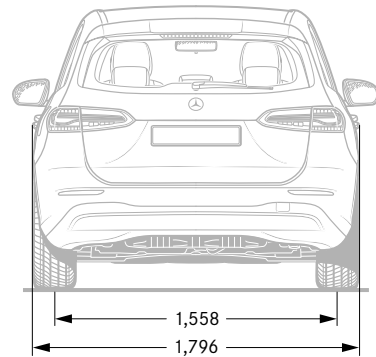
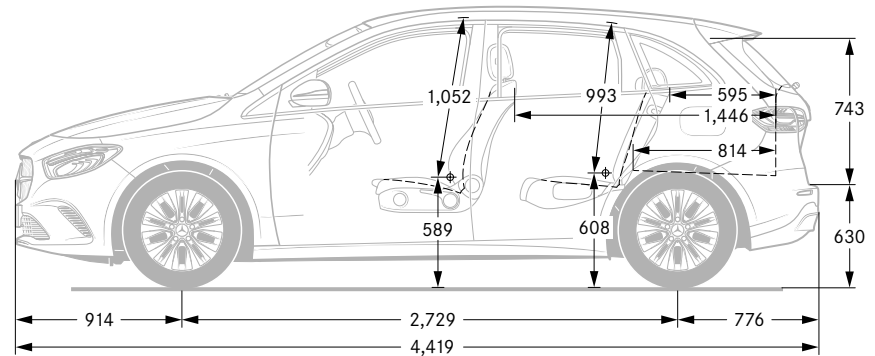
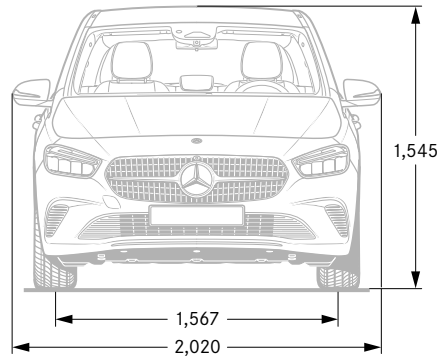
Technical data

Model		B 200	B 220 d
Engine			
Fuel delivery		Petrol	Diesel
Total displacement	cc	1,332	1,950
Arrangement/cylinders/valves		in-line/4/16	in-line/4/16
Power ¹	hp (kW) at rpm		
Combustion engine		163 (120)/5,500	150 (110)/3,400–4,400
Mild hybrid drive		14 (10)	-
Torque ¹	Nm at rpm		
Combustion engine		270/2,000–3,500	320/1,400–3,200
Compression ratio		12.0:1	15.5:1
Emissions standard		Euro 6e	Euro 6e
Transmission			
7G-DCT 7-speed automatic		●	–
8G-DCT 8-speed automatic		–	●
Performance			
Acceleration 0–62 mph	sec	8.4	8.5
Top speed (electric mode)	mph	139	136

Model		B 200	B 220 d
Weights and capacities			
Kerb weight ²	kg	1,490	1,580
Perm. Gross Vehicle Weight	kg	2,000	2,090
Boot capacity – seats up		420	445
seats down	l	1,505	1,530
Towing capacity – unbraked		745	750
braked	kg	1,600	1,600
Fuel tank capacity/of which reserve	l	43/5	43/5
Turning circle	m	11.0	11.0
Fuel consumption^{3,4,5}			
Combined (consumption dependent on chosen optional equipment)	l/100 km mpg	6.6–6.2 42.8–45.6	5.5–5.1 51.4–55.4
Insurance			
Group rating		tba	tba
Insurance ratings may vary depending on model line and specification.			

¹Figures according to Directive 80/1269/EEC in the currently applicable version ²Mass of the vehicle in running order with at least 90% full fuel tank, plus the mass of the driver (estimated by law at 75 kg), fuel and fluids, equipped with the standard equipment as specified by the manufacturer as well as, where applicable, the mass of the body, cab, trailer coupling and spare wheel(s) as well as tools. Optional extras, additional equipment and accessories can influence the weight, residual payload, rolling resistance, aerodynamics, etc., and therefore also affect the consumption/CO₂ values ³All figures are based on a standard specification with the smallest tyre size ⁴The choice of wheels and transmission may affect CO₂ emissions and corresponding Road Fund Licence ⁵The indicated values were determined according to the prescribed measurement method - Worldwide Harmonised Light Vehicle Test Procedure (WLTP). Figures shown may include options which are not available in the UK

Sport Executive/AMG Line Executive/Premium/Premium Plus



All measurements in millimetres. The dimensions shown are mean values and apply to standard-specification, unladen vehicles

Design	Technology	Model lines	Upholstery	Model prices	Personalisation	Standard equipment	Genuine accessories	Technical data	Additional information
--------	------------	-------------	------------	--------------	-----------------	--------------------	---------------------	----------------	------------------------



Book a test drive



Find your B-Class



Find a Showroom

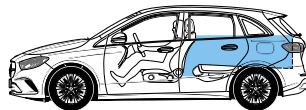
Sport Executive/AMG Line Executive/Premium/Premium Plus – Boot capacity



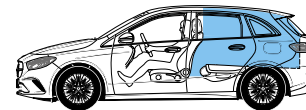
Open luggage compartment behind rear seat, loaded to upper edge of rear seat backrest, volume 420 litres (V 211-2)



Open luggage compartment behind rear seat, loaded to roof, volume 540 litres (V 214-2)



Open luggage compartment behind driver's seat, rear seat backrest folded, loaded to upper edge of driver's backrest, volume 1,065 litres (V 211-1)



Open luggage compartment behind driver's seat, rear seat backrest folded, loaded to roof, volume 1,505 litres (V 214-1)



Largest cuboid: Dimensions 1,275 × 936 × 652 mm, volume 778 litres

Design

Technology

Model lines

Upholstery

Model prices

Personalisation

Standard equipment

Genuine accessories

Technical data

Additional information



Road Fund Licence

All road vehicle registrations are subject to Vehicle Excise Duty (Road Fund Licence), which varies in accordance with the vehicle's CO₂ emissions. A first year rate for each taxation band will apply. The table below shows the bands (A–M) created by the DVLA and the corresponding Road Fund Licence. CO₂ emissions and the relevant Excise Duty are shown on the model pricing pages.

Band	CO ₂ emissions (g/km)	First year rate petrol and RDE2 diesel (£)	First year rate alternative fuel (£)	Electric vehicles		Alternative fuel vehicles		Petrol/diesel vehicles	
				Standard rate (£)	Premium rate (£) ¹	Standard rate (£)	Premium rate (£) ¹	Standard rate (£)	Premium rate (£) ¹
A	0	0.00	0.00	0.00	0.00	0.00	0.00	0.00	0.00
B	1 to 50	10.00	0.00	0.00	0.00	180.00	590.00	190.00	600.00
C	51 to 75	30.00	20.00	0.00	0.00	180.00	590.00	190.00	600.00
D	76 to 90	135.00	125.00	0.00	0.00	180.00	590.00	190.00	600.00
E	91 to 100	175.00	165.00	0.00	0.00	180.00	590.00	190.00	600.00
F	101 to 110	195.00	185.00	0.00	0.00	180.00	590.00	190.00	600.00
G	111 to 130	220.00	210.00	0.00	0.00	180.00	590.00	190.00	600.00
H	131 to 150	270.00	260.00	0.00	0.00	180.00	590.00	190.00	600.00
I	151 to 170	680.00	670.00	0.00	0.00	180.00	590.00	190.00	600.00
J	171 to 190	1,095.00	1,085.00	0.00	0.00	180.00	590.00	190.00	600.00
K	191 to 225	1,650.00	1,640.00	0.00	0.00	180.00	590.00	190.00	600.00
L	226 to 255	2,340.00	2,330.00	0.00	0.00	180.00	590.00	190.00	600.00
M	over 255	2,745.00	2,735.00	0.00	0.00	180.00	590.00	190.00	600.00



Some of the model features, optional extras and colours shown may not be available, or may only be available in a different specification, or at a different price
¹Premium rate only applicable to vehicles where the list price is over £40,000 including any factory-fitted options, standard UK delivery charge and VAT



Services and insurance

Mercedes-Benz Service Plans

We believe that servicing and repair costs should be as flexible and affordable as possible for your B-Class, which is why we offer a choice of Service Plans to make it easy to budget for all your servicing, MOT and repair costs. It spreads your bills into manageable monthly payments based on whether you have a new or used Mercedes-Benz.

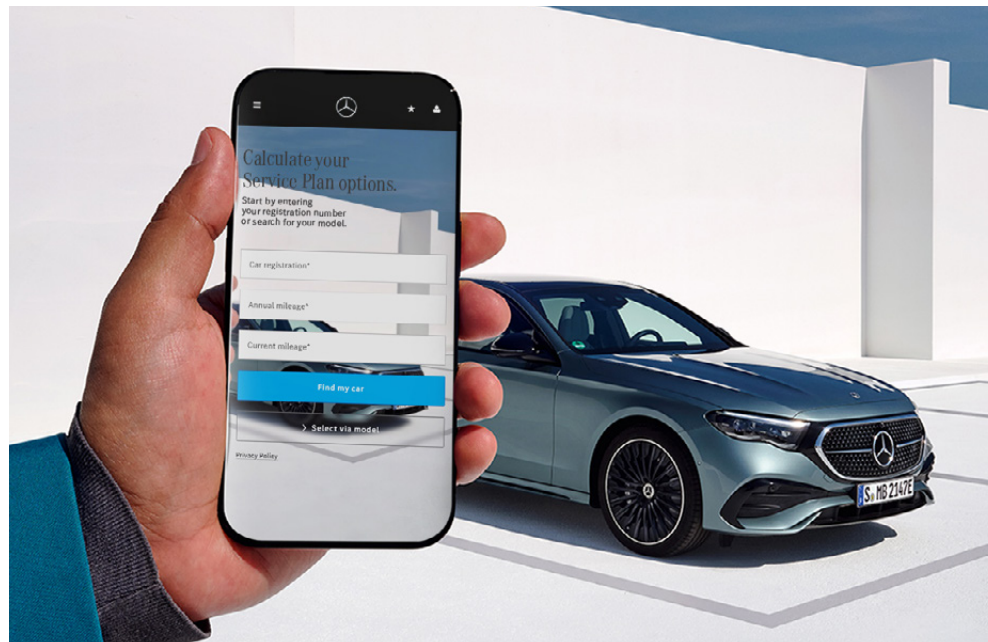
- **ServiceCare** – guarantees the price of parts and labour for up to four services and safeguards against any inflationary influences. It also covers your annual MOT fees depending on the age of your vehicle when you take your plan out.
- **CompleteCare** – our most comprehensive plan covering all your servicing, MOT, wear & tear needs as well as Extended Warranty once your vehicle turns four years old.
- **Extended Warranty** – protect yourself against sudden or unexpected repair costs after your initial warranty period has ended after three years. There are three policy options to choose from: 12-month, 24-month or a monthly pay-as-you-go option.

[Click here for more information](#)

Motor Insurance

We know that once you have chosen your Mercedes-Benz you can't wait to drive it – that's why we created First Cover¹. It gives you 7 days' free comprehensive Motor Insurance when you buy a new or used vehicle from a Mercedes-Benz Agent. We will also send you a quote for annual cover, so you can enjoy the same peace of mind all year round.

[Apply for First Cover](#)



Warranty and breakdown cover

Every Mercedes-Benz comes with a three-year unlimited mileage warranty against manufacturing or material defects² and up to 30 years warranty against perforation due to corrosion from the inside out.³ What's more, it's also covered by Mercedes-Benz Roadside Assistance – a unique package comprising up to 30 years pan-European breakdown assistance.³

¹Terms and Conditions apply. We are an independent intermediary dealing with selected insurers in respect of annual insurance

²Applies to vehicles sold by Mercedes-Benz in the UK to its franchised Mercedes-Benz Agents

³Subject to full Terms and Conditions, dependent on date of registration, available upon request

Design	Technology	Model lines	Upholstery	Model prices	Personalisation	Standard equipment	Genuine accessories	Technical data	Additional information
--------	------------	-------------	------------	--------------	-----------------	--------------------	---------------------	----------------	------------------------



Effective from September 2024 Production. Information correct at time of publication 11.07.2024

Prices and specifications are subject to change without prior notice.

MBW247/0724 MY805.5

